

US00D546687S

(12) **United States Design Patent**  
**Boukobza**

(10) **Patent No.:** **US D546,687 S**

(45) **Date of Patent:** **\*\* Jul. 17, 2007**

(54) **BOTTLE BASE**

6,971,530 B2 \* 12/2005 Darr ..... 215/43  
2004/0173565 A1 \* 9/2004 Semersky et al. .... 215/382

(75) Inventor: **Michael Boukobza**, Le Havre Cedex  
(FR)

\* cited by examiner

(73) Assignee: **Sidel**, Octeville sur Mer (FR)

*Primary Examiner*—Ian Simmons

*Assistant Examiner*—Dana Sipos

(\*\*) Term: **14 Years**

(74) *Attorney, Agent, or Firm*—Marshall, Gerstein & Borun  
LLP

(21) Appl. No.: **29/244,104**

(57) **CLAIM**

(22) Filed: **Dec. 5, 2005**

The ornamental design for a bottle base, as shown and  
described.

(30) **Foreign Application Priority Data**

**DESCRIPTION**

Jun. 3, 2005 (EM) ..... 000350111

(51) **LOC (8) Cl.** ..... **09-01**

FIG. 1 is a bottom, right side perspective view of a bottle  
base showing my new design;

(52) **U.S. Cl.** ..... **D9/516; D9/520**

(58) **Field of Classification Search** ..... D9/516,  
D9/520, 537, 538, 539, 540, 549, 556, 557,  
D9/558; 215/375, 381, 382, 383, 384, 385,  
215/396, 398, 400; 220/606, 608, 609  
See application file for complete search history.

FIG. 2 is an alternate bottom right side perspective view  
thereof;

FIG. 3 is a bottom, left side perspective view thereof;

FIG. 4 is an alternate bottom, left side perspective view  
thereof;

(56) **References Cited**

FIG. 5 is a bottom plan view thereof; and,

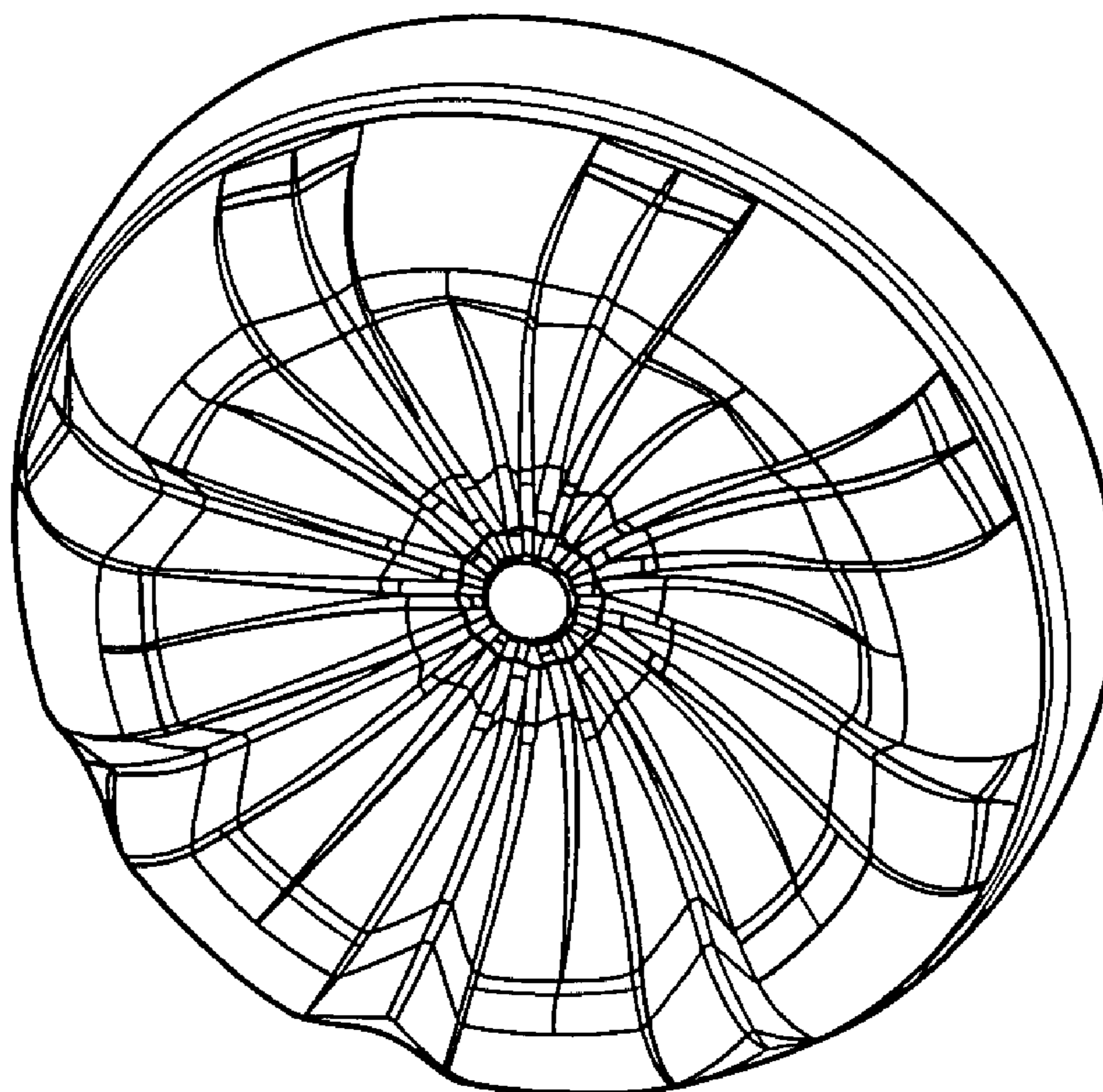
FIG. 6 is a side elevational view thereof.

**U.S. PATENT DOCUMENTS**

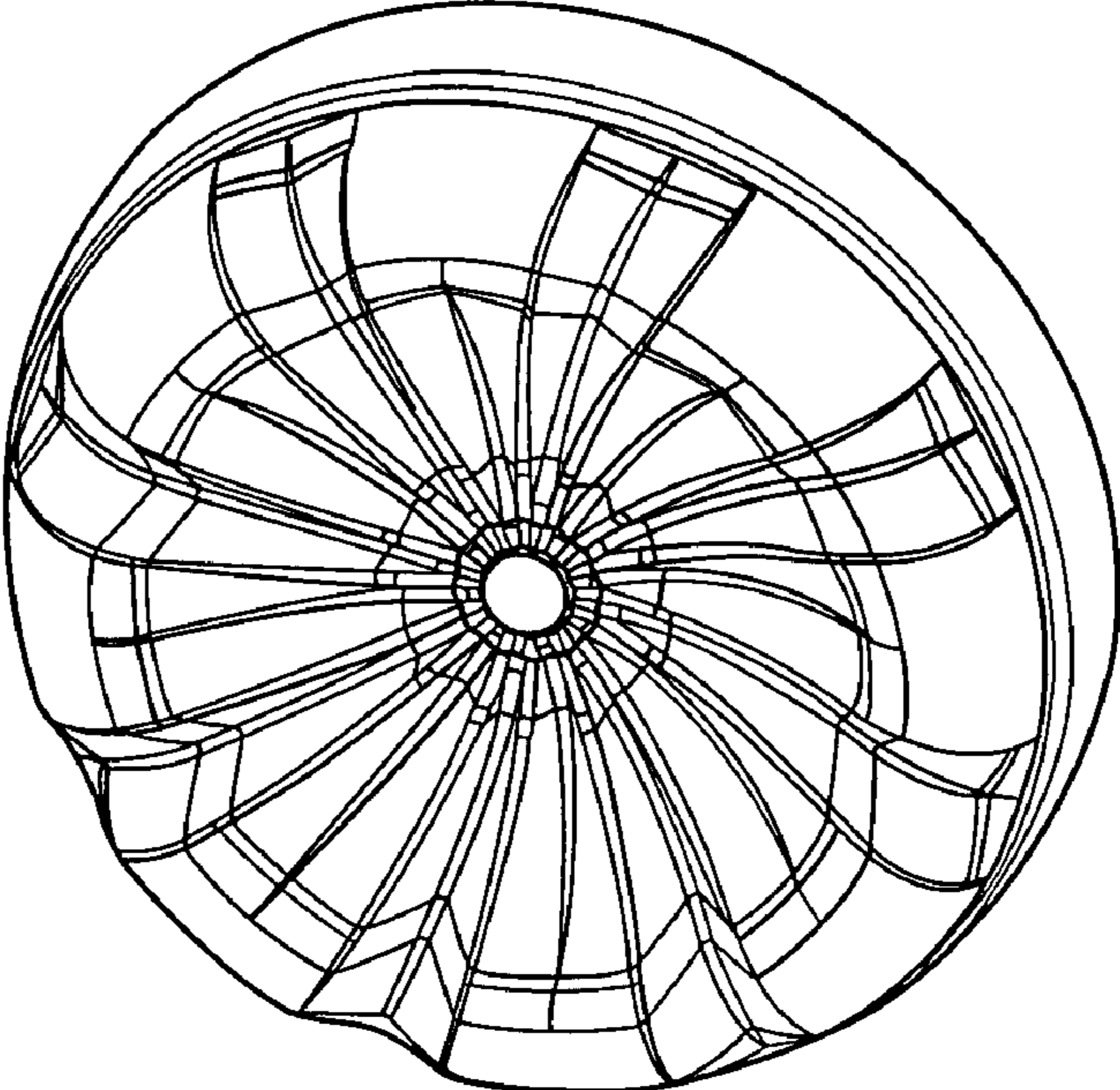
The broken lines shown in the drawings are for illustrative  
purposes only and form no part of the claimed design.

D187,400 S \* 3/1960 Du Pree ..... D9/520  
6,065,624 A \* 5/2000 Steinke ..... 215/383  
6,585,123 B1 \* 7/2003 Pedmo et al. .... 215/10  
6,929,139 B2 \* 8/2005 Darr ..... 215/382

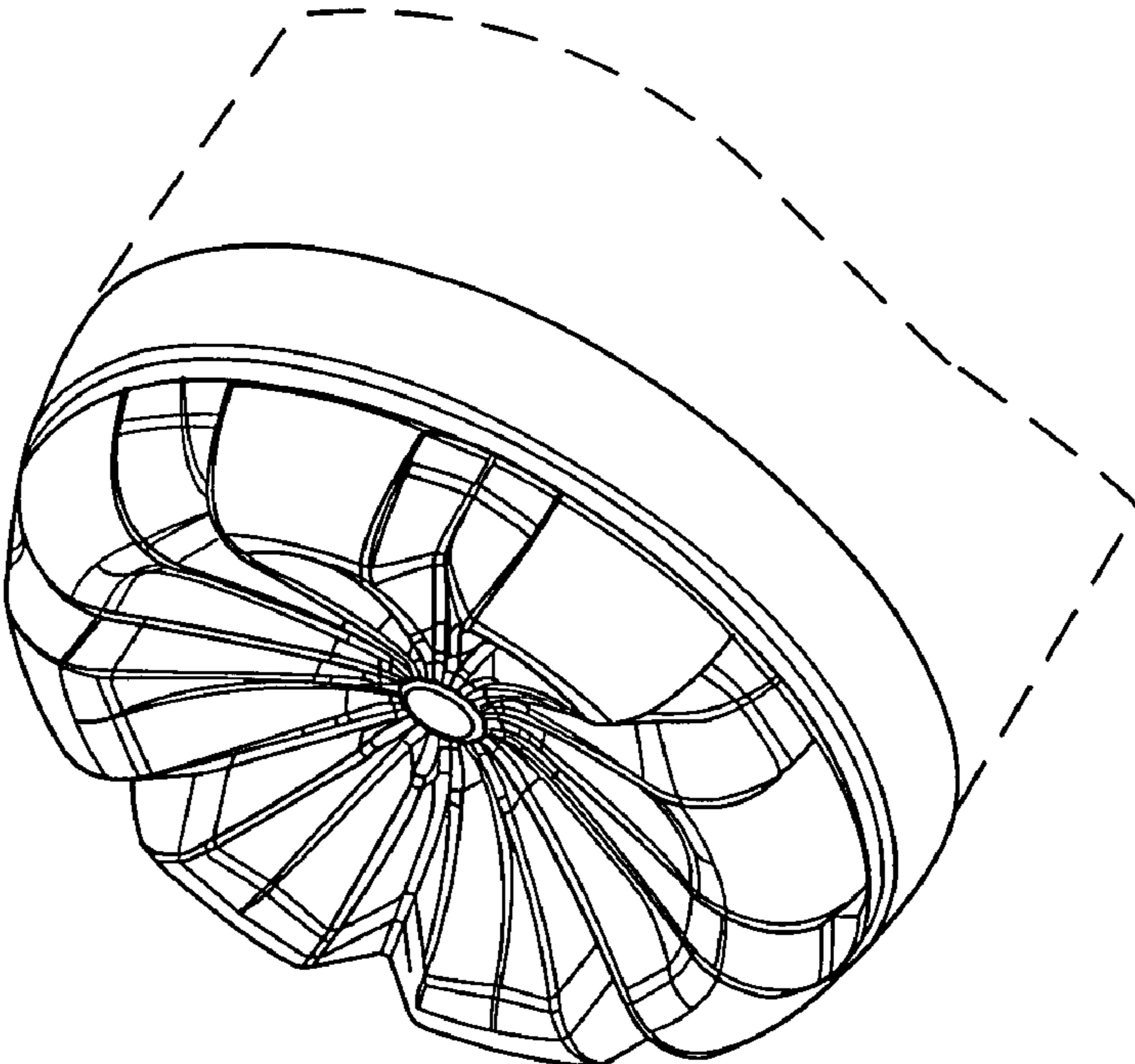
**1 Claim, 3 Drawing Sheets**



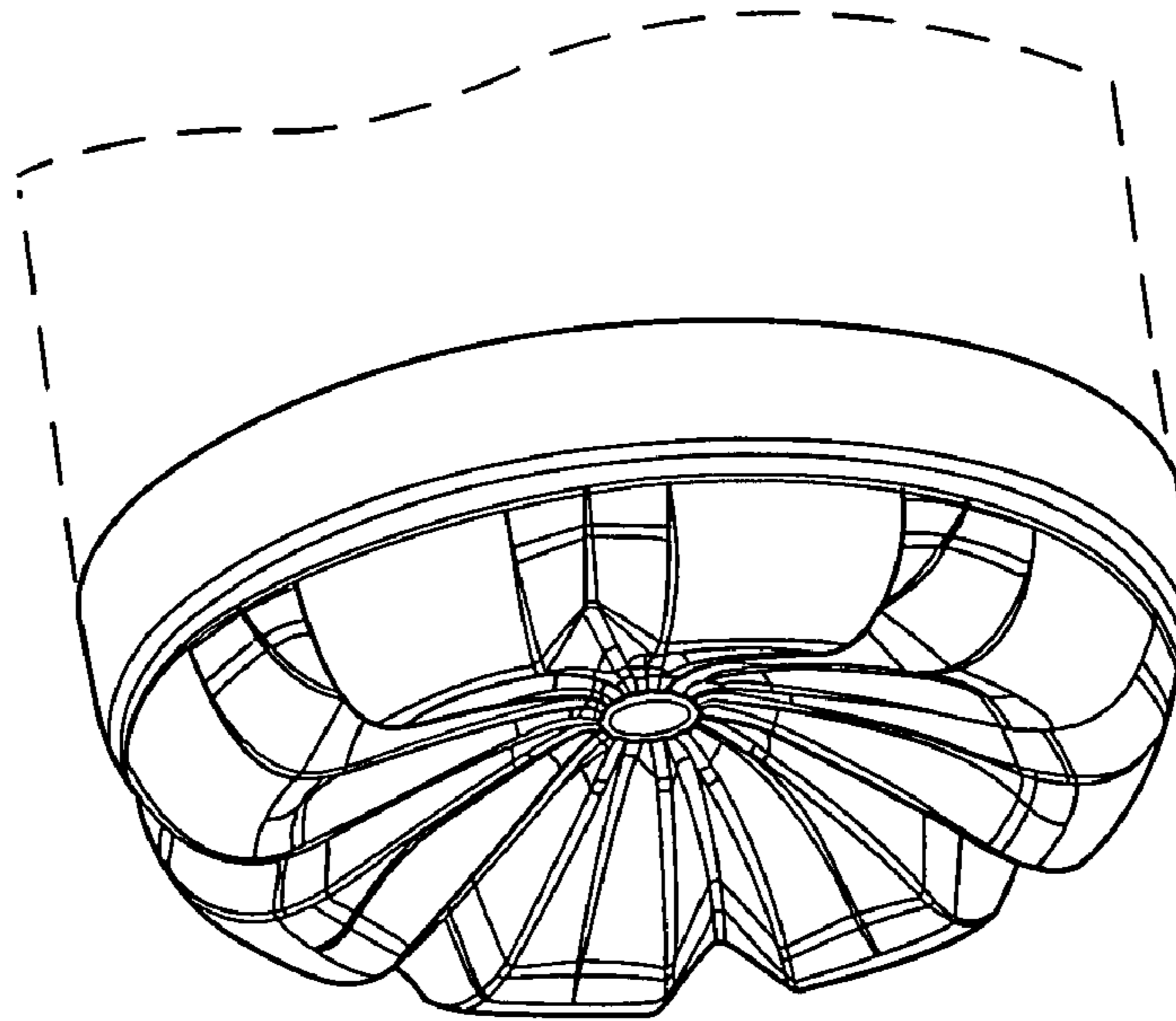
**FIG. 1**



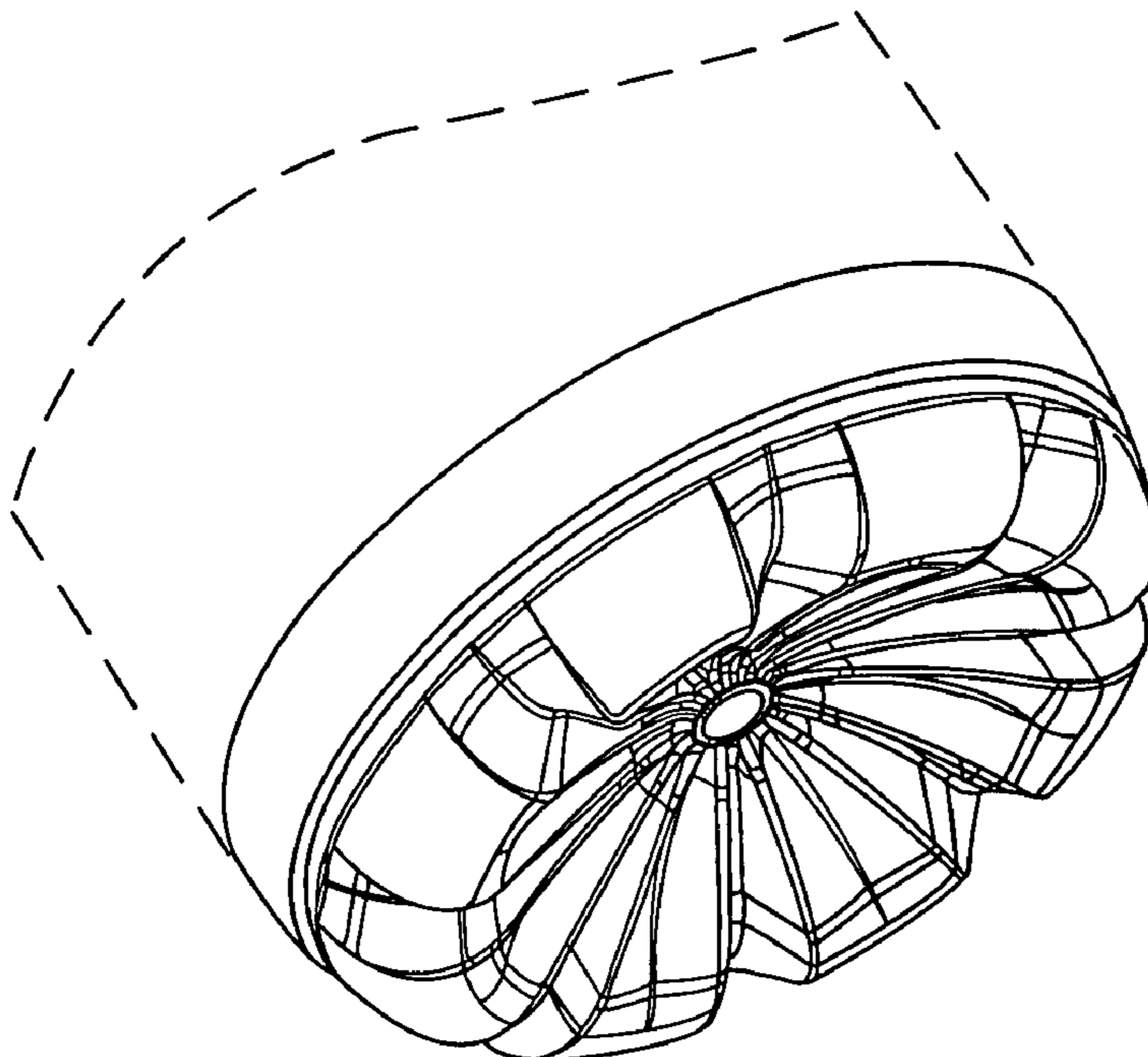
**FIG. 2**



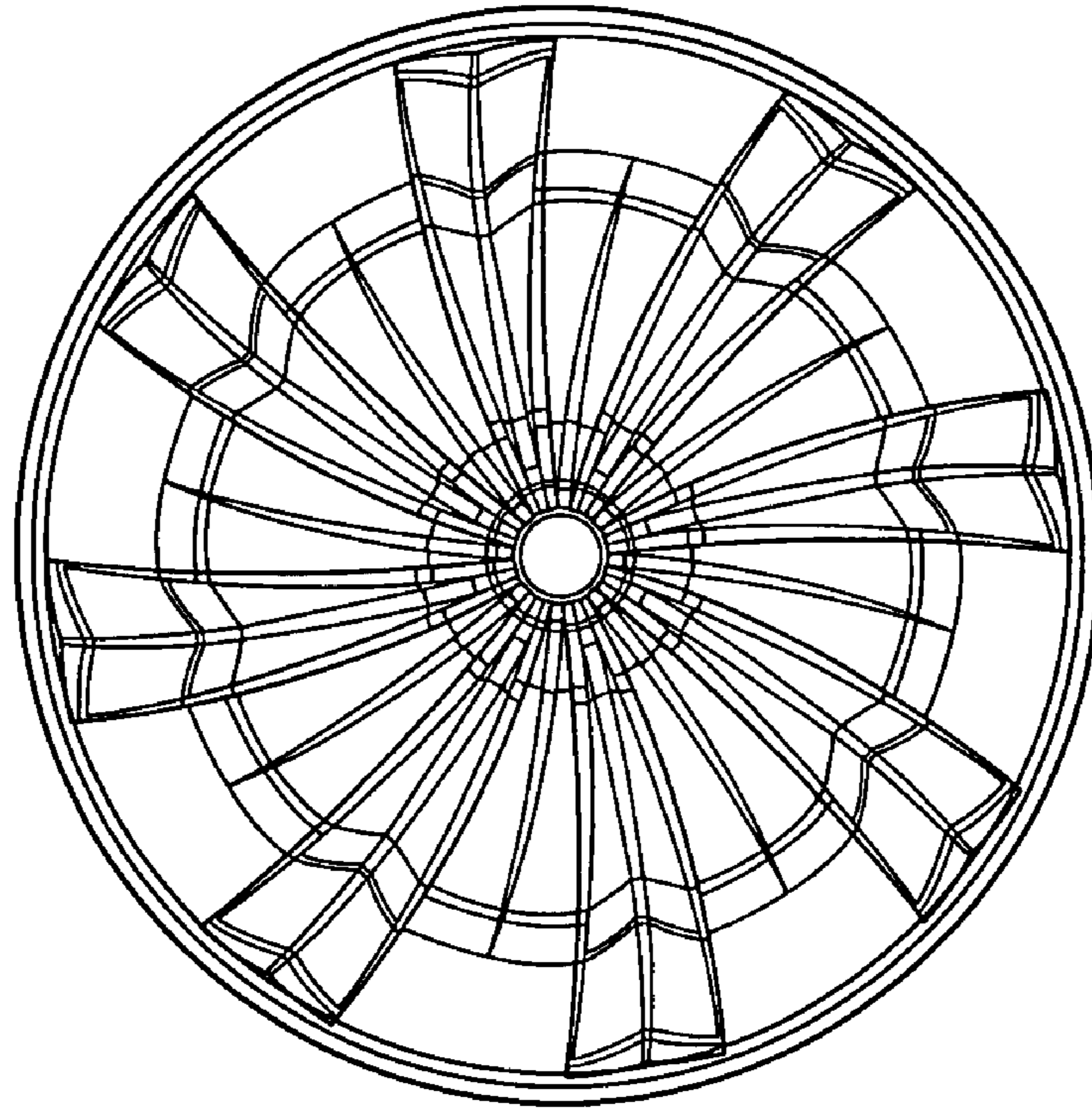
**FIG. 3**



**FIG. 4**



**FIG. 5**



**FIG. 6**

