

US00D546680S

(12) **United States Design Patent** (10) **Patent No.:** **US D546,680 S**
Landis (45) **Date of Patent:** **** Jul. 17, 2007**

(54) **WET TISSUE DISPENSER**

(57) **CLAIM**

(76) Inventor: **Victoria Landis**, 6015 Alta Loma Pl.,
Granite Bay, CA (US) 95746

The ornamental design for a wet tissue dispenser, as shown
and described.

(**) Term: **14 Years**

DESCRIPTION

(21) Appl. No.: **29/245,007**

A portion of the material in this patent document is subject to copyright protection under the copyright laws of the United States and of other countries. The owner of the copyright rights has no objection to the facsimile reproduction by anyone of the patent document or the patent disclosure, as it appears in the United States Patent and Trademark Office publicly available file or records, but otherwise reserves all copyright rights whatsoever. The copyright owner does not hereby waive any of its rights to have this patent document maintained in secrecy, including without limitation its rights pursuant to 37 C.F.R. § 1.14.

(22) Filed: **Dec. 16, 2005**

(51) **LOC (8) Cl.** **09-07**

(52) **U.S. Cl.** **D9/441**

(58) **Field of Classification Search** D9/447,
D9/435, 434, 734, 624, 614, 451; D7/683,
D7/671, 396.2, 392.1; 221/63
See application file for complete search history.

FIG. 1 is a perspective view of my design for a wet tissue dispenser having a removable top cover, with the top cover shown in a closed configuration to cover the dispensing orifice and with the dispenser shown in context with a container depicted in phantom.

(56) **References Cited**

U.S. PATENT DOCUMENTS

- 2,668,953 A * 2/1954 Tofanelli 450/99
- D270,489 S * 9/1983 Camus D2/701
- D282,819 S * 3/1986 Laurent et al. D9/624
- D361,932 S * 9/1995 Hensch D9/623
- 5,513,393 A * 5/1996 Ferreira et al. 2/267
- D533,073 S * 12/2006 Brunner et al. D9/624
- 2005/0211719 A1 * 9/2005 Vani 221/63

FIG. 2 is a top view of my design for the wet tissue dispenser and top cover shown in FIG. 1; and,

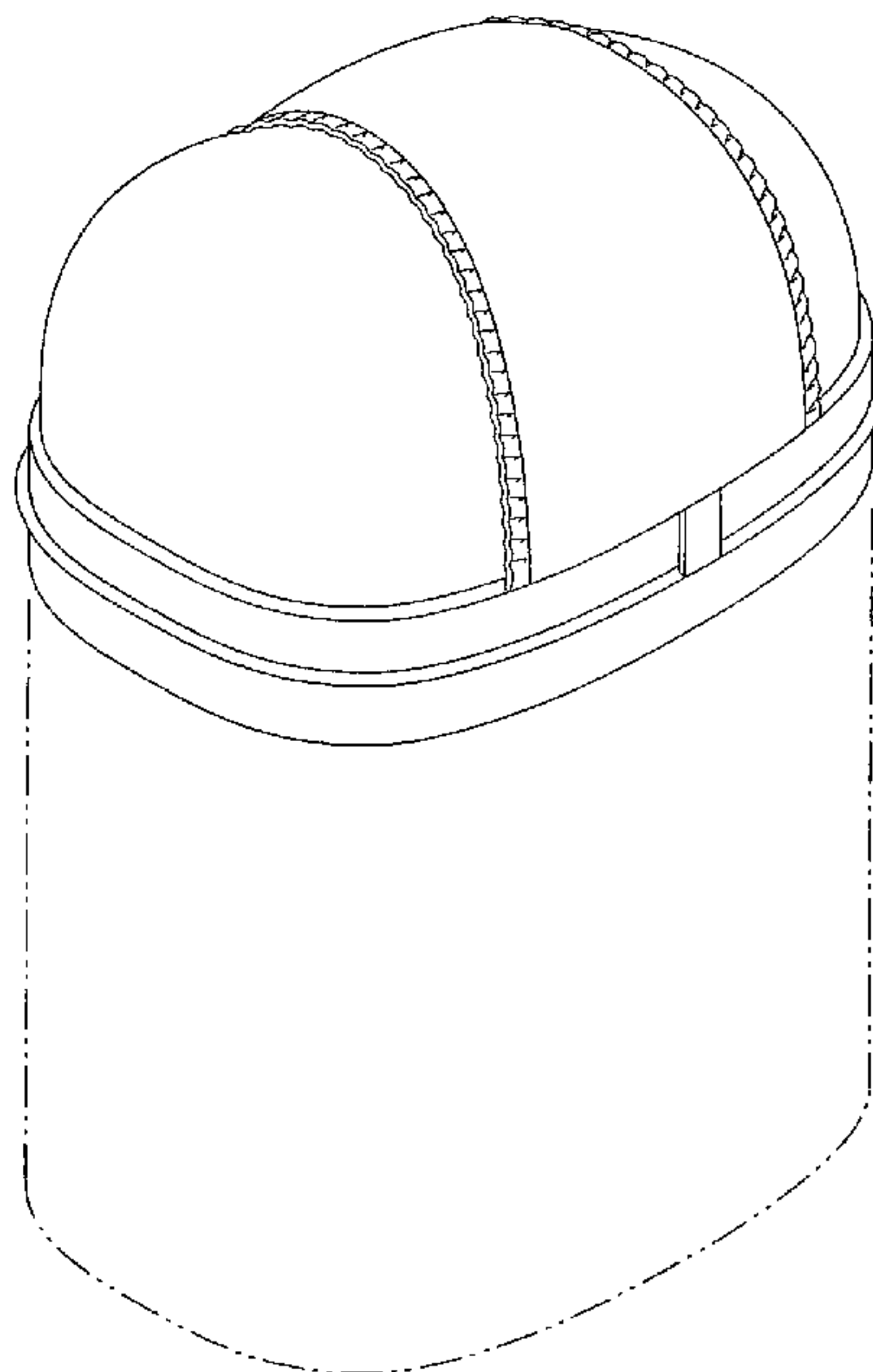
FIG. 3 is perspective view of my design for the wet tissue dispenser and top cover shown in FIG. 1, with the top cover shown in an open configuration to expose the dispensing orifice and with the dispenser shown in context with a container depicted in phantom.

* cited by examiner

The broken line showing of a container is included for illustrative purposes only and forms no part of the claimed design.

Primary Examiner—Robert M. Spear
Assistant Examiner—Susan Bennett Hattan
(74) *Attorney, Agent, or Firm*—John P. O'Banion

1 Claim, 2 Drawing Sheets



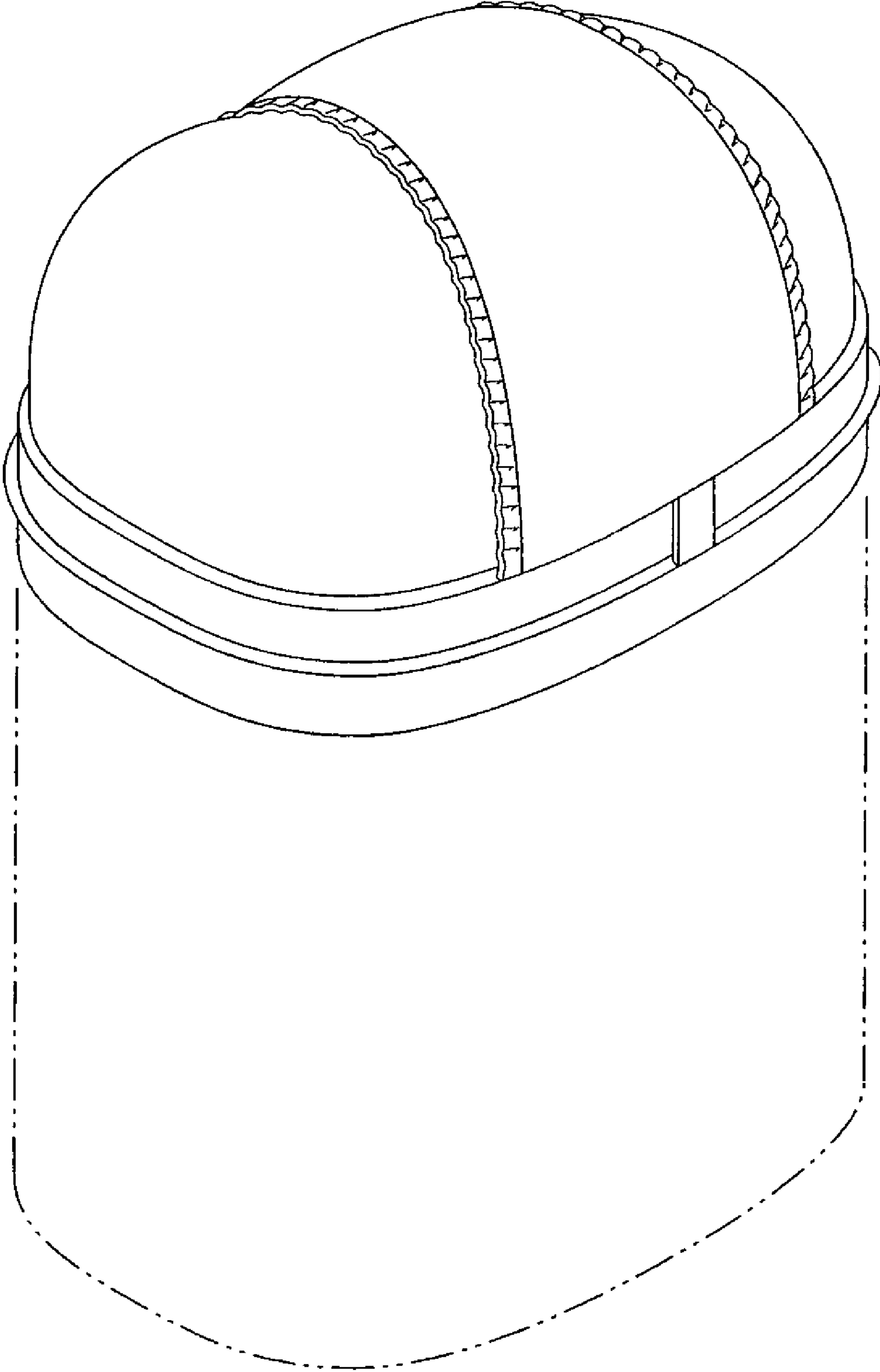


FIG. 1

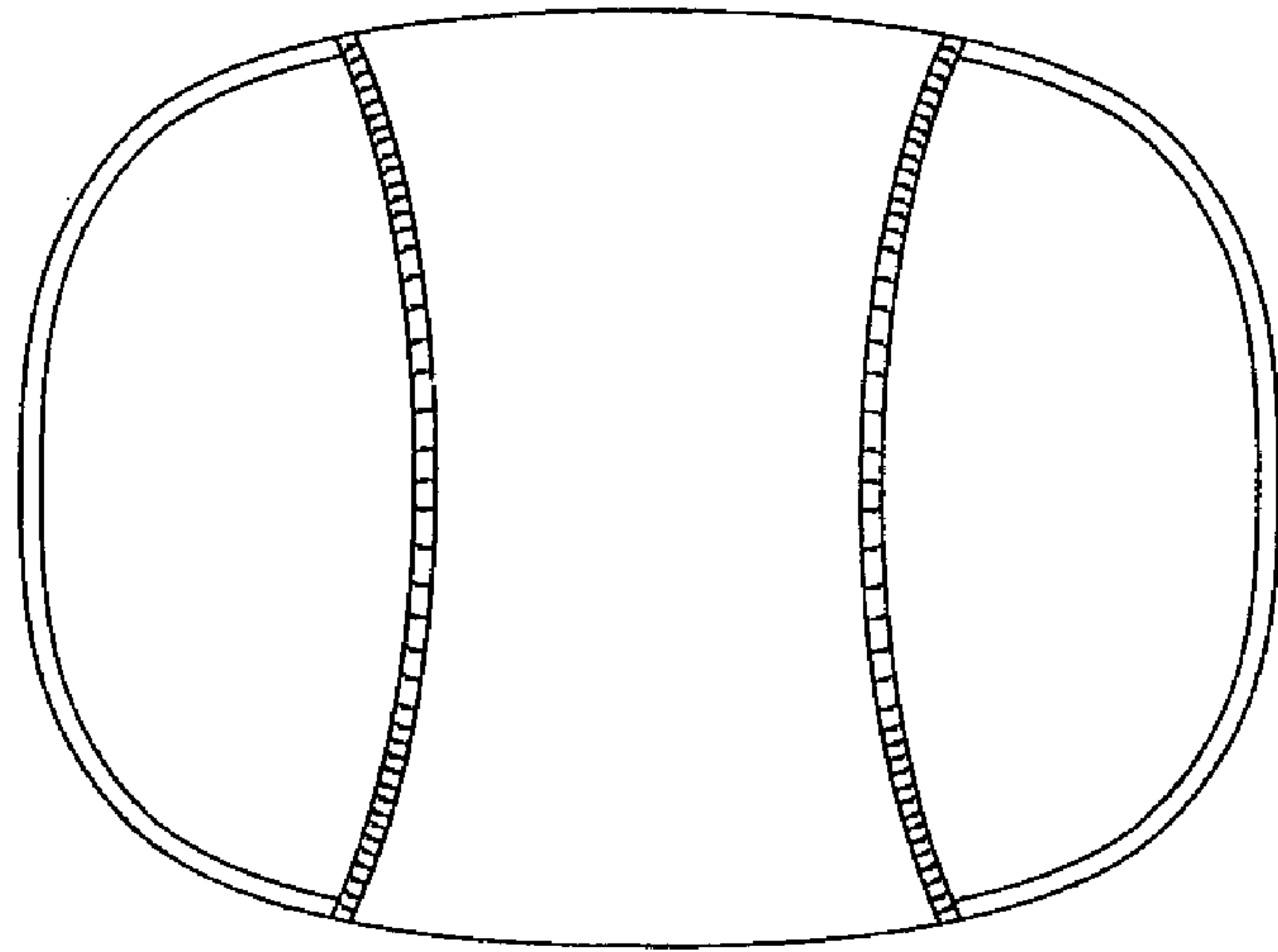


FIG. 2

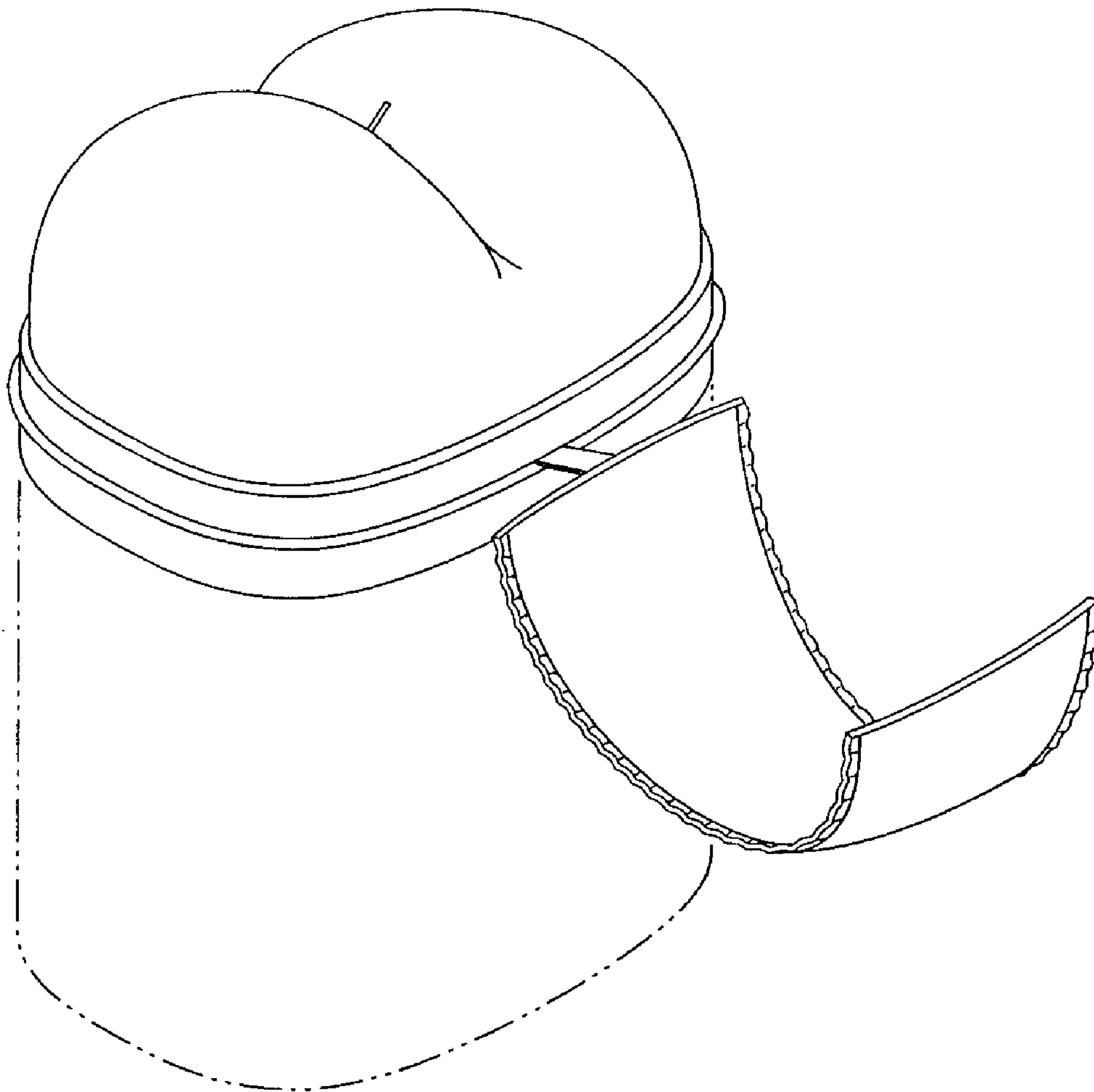


FIG. 3