

US00D546679S

(12) **United States Design Patent** (10) **Patent No.:** **US D546,679 S**
El-Afandi (45) **Date of Patent:** **** Jul. 17, 2007**

(54) **COMBINED TEAR-STRIP AND ACCESS PERFORATIONS ON PACKAGING**

(75) Inventor: **Ali El-Afandi**, Maplewood, MN (US)

(73) Assignee: **General Mills, Inc.**, Minneapolis, MN (US)

(**) Term: **14 Years**

(21) Appl. No.: **29/268,867**

(22) Filed: **Nov. 13, 2006**

Related U.S. Application Data

(60) Division of application No. 29/242,645, filed on Nov. 14, 2005, now Pat. No. Des. 534,797, which is a continuation-in-part of application No. 11/233,502, filed on Sep. 22, 2005.

(51) **LOC (8) Cl.** **09-07**

(52) **U.S. Cl.** **D9/434; D9/416**

(58) **Field of Classification Search** D9/751, D9/456, 455, 438, 435, 434, 433, 432, 431, D9/430, 419, 418, 416, 415; 221/63; 206/824, 206/429, 409, 195, 194; 229/183, 125.19
See application file for complete search history.

(56) **References Cited**

U.S. PATENT DOCUMENTS

- 2,321,473 A * 6/1943 Ferguson 206/783
- 2,894,674 A * 7/1959 Wagaman 229/222
- 4,314,638 A 2/1982 Gordon et al.
- 4,319,878 A 3/1982 Dozier et al.
- 4,337,887 A 7/1982 Gerard et al.
- D268,649 S * 4/1983 Adamson et al. D9/416
- 4,382,511 A * 5/1983 Hamelin et al. 206/427
- 4,447,002 A 5/1984 Kistner
- 4,534,753 A 8/1985 Kistner
- 4,771,939 A 9/1988 Wilkins
- 4,946,093 A 8/1990 Moorman
- D322,759 S 12/1991 Groves
- D328,375 S 7/1992 Levine

- D436,859 S 1/2001 Botsford et al.
- 6,557,749 B1 5/2003 Gill
- 6,715,634 B2 4/2004 Knol
- D494,859 S 8/2004 Keberlein
- D503,614 S 4/2005 Camilleri-Oller et al.
- D503,884 S 4/2005 Sax et al.
- D504,314 S * 4/2005 Kim D9/416
- 7,080,736 B2 * 7/2006 Jackson et al. 206/738
- 2001/0001447 A1 * 5/2001 Gregory 206/746
- 2004/0195256 A1 10/2004 Goepfert et al.

FOREIGN PATENT DOCUMENTS

- AU 3713893 2/1994
- WO WO 95/25007 9/1995
- WO WO 96/09225 3/1996

OTHER PUBLICATIONS

Website print-out: Introducing Innovative New Packaging from Tyson Foods, Inc., Tyson Foods, Inc., 2 pgs., Sep. 2005.

* cited by examiner

Primary Examiner—Robert M. Spear

Assistant Examiner—Susan Bennett Hattan

(74) *Attorney, Agent, or Firm*—Arlene L. Hornilla; Patterson, Thuente, Skaar & Christensen, P.A.

(57) **CLAIM**

I claim the ornamental design for combined tear-strip and access perforations on packaging, as shown and described.

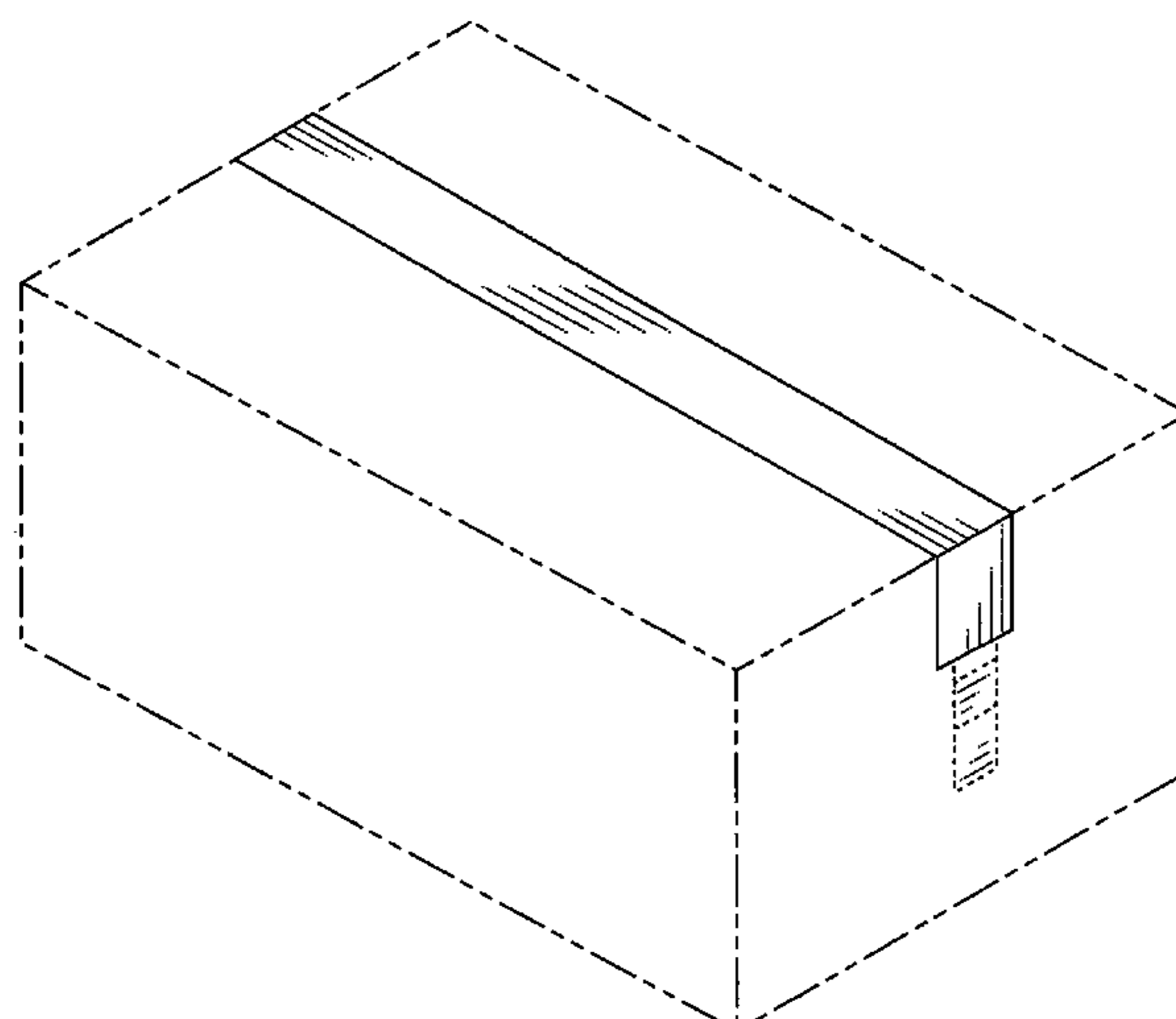
DESCRIPTION

FIG. 1 is a perspective view of a combined tear-strip and access perforations on packaging, according to the invention; and,

FIG. 2 is an end view thereof.

The lines depicted as “- - -” represent a perforated line forming part of the claimed design, the outer edges of which define the outer boundary of the claim while lines depicted as “-- — -- —” represent environmental structure forming no part of the claimed design.

1 Claim, 2 Drawing Sheets



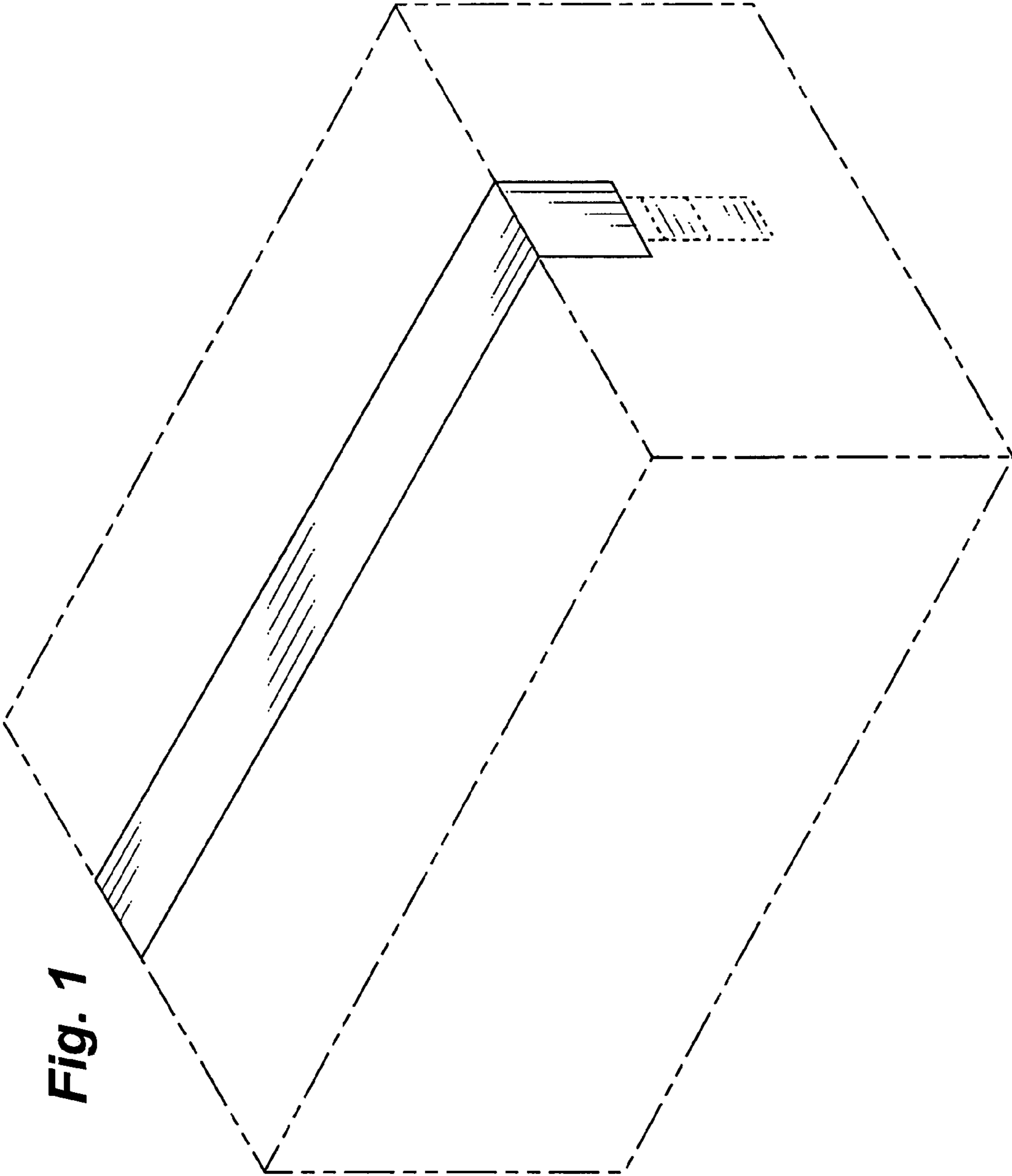


Fig. 1

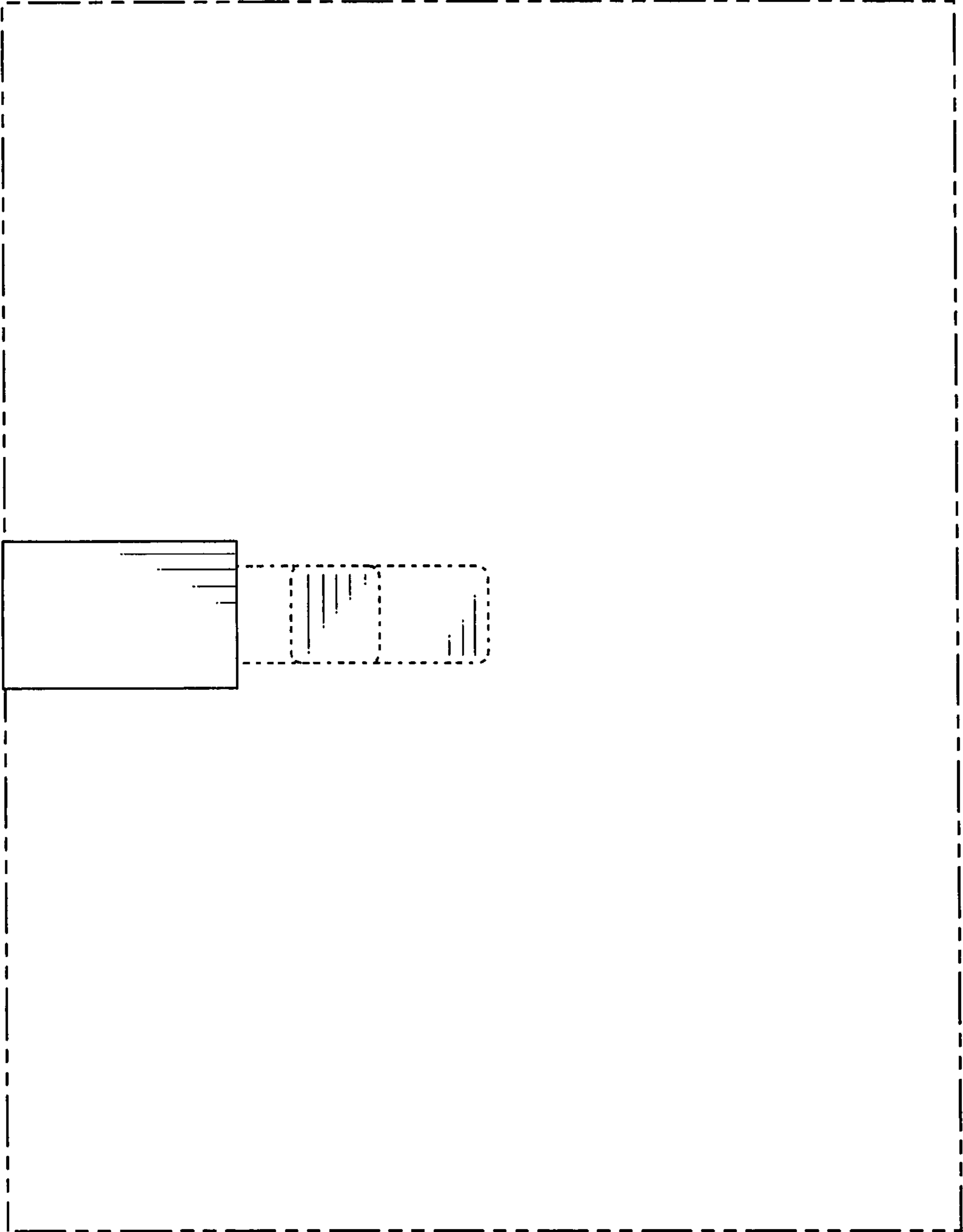


Fig. 2