



US00D546674S

(12) **United States Design Patent**
Limber

(10) **Patent No.:** **US D546,674 S**

(45) **Date of Patent:** **** Jul. 17, 2007**

(54) **STORAGE CONTAINER**

(76) Inventor: **Jamie Limber**, 4645 E. Cotton Center Blvd., Bldg. 3, Ste 195, Phoenix, AZ (US) 85040

(**) Term: **14 Years**

(21) Appl. No.: **29/256,674**

(22) Filed: **Mar. 23, 2006**

Related U.S. Application Data

(63) Continuation-in-part of application No. 10/965,561, filed on Oct. 13, 2004.

(51) **LOC (8) Cl.** **09-03**

(52) **U.S. Cl.** **D9/432**

(58) **Field of Classification Search** D9/414, D9/417-419, 420-424, 430-433, 435, 745; D7/612-614; D3/201, 202, 206, 229, 289; 206/315.9, 299; 229/4.5, 101.2, 117.09, 229/117.23; 493/59; 190/103; 220/9.1, 220/9.2; 383/4, 61.3, 97, 9, 104
See application file for complete search history.

(56) **References Cited**

U.S. PATENT DOCUMENTS

- 1,557,382 A * 10/1925 Gideon 24/387
- 1,949,677 A * 3/1934 Crawford 383/96
- 2,236,115 A * 3/1941 Schwartzman 206/283
- 2,316,384 A * 4/1943 Abramson 229/122.31
- 3,189,074 A * 6/1965 Schaefer 206/426
- 3,443,671 A * 5/1969 Herbert 190/103

- 5,007,250 A * 4/1991 Musielak 62/372
- 5,011,008 A * 4/1991 Baker 206/242
- D373,106 S * 8/1996 Guidi D12/414.1
- D411,918 S * 7/1999 Neuman D3/289
- 6,102,569 A * 8/2000 Wang 383/104
- 6,568,852 B1 * 5/2003 Godshaw et al. 383/2
- D481,887 S * 11/2003 Ellwanger D6/448
- 6,669,045 B2 * 12/2003 Wang 220/9.2
- 2002/0040834 A1 * 4/2002 Chen 190/103
- 2006/0078231 A1 * 4/2006 Limber 383/4

* cited by examiner

Primary Examiner—Stella Reid

Assistant Examiner—Mark Goodwin

(74) *Attorney, Agent, or Firm*—The Halvorson Law Firm

(57) **CLAIM**

The ornamental design for a storage container, as shown and described.

DESCRIPTION

FIG. 1 is a front perspective view of a storage container showing my new design;

FIG. 2 is a back perspective view thereof;

FIG. 3 is a front view thereof;

FIG. 4 is a back view thereof;

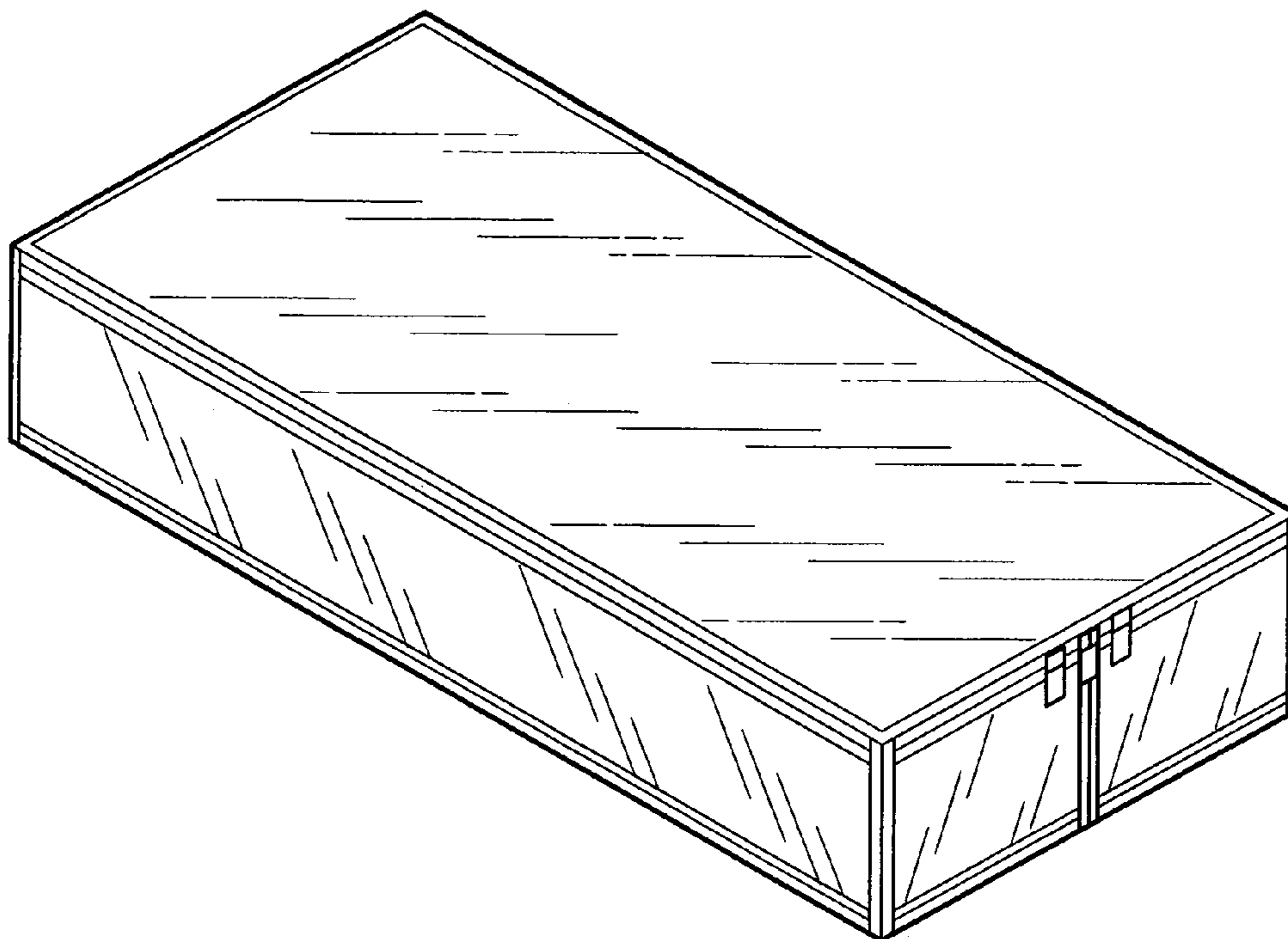
FIG. 5 is a top plan view thereof;

FIG. 6 is a bottom plan view thereof;

FIG. 7 is a left side view thereof; and,

FIG. 8 is a right side view thereof.

1 Claim, 5 Drawing Sheets



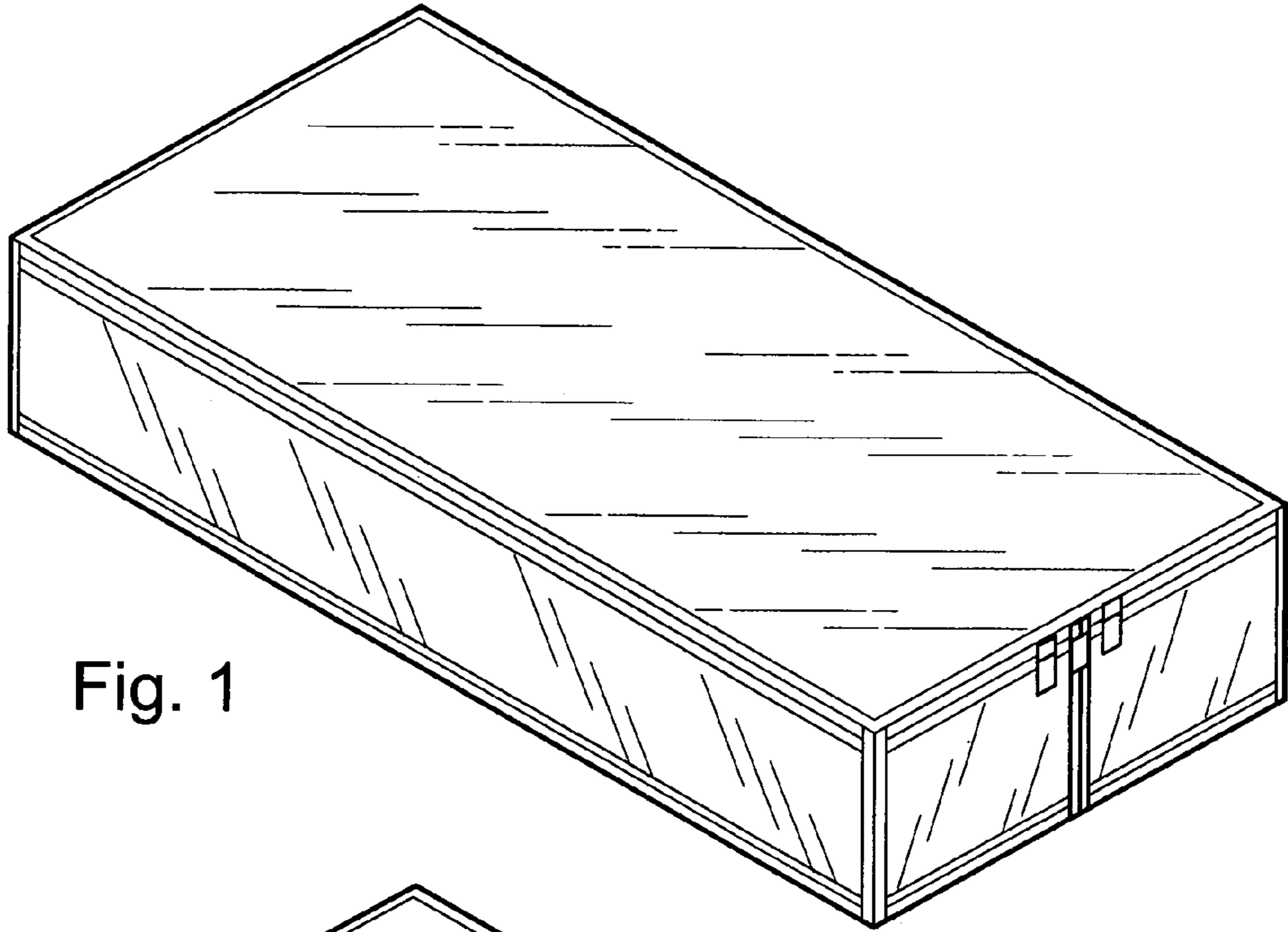


Fig. 1

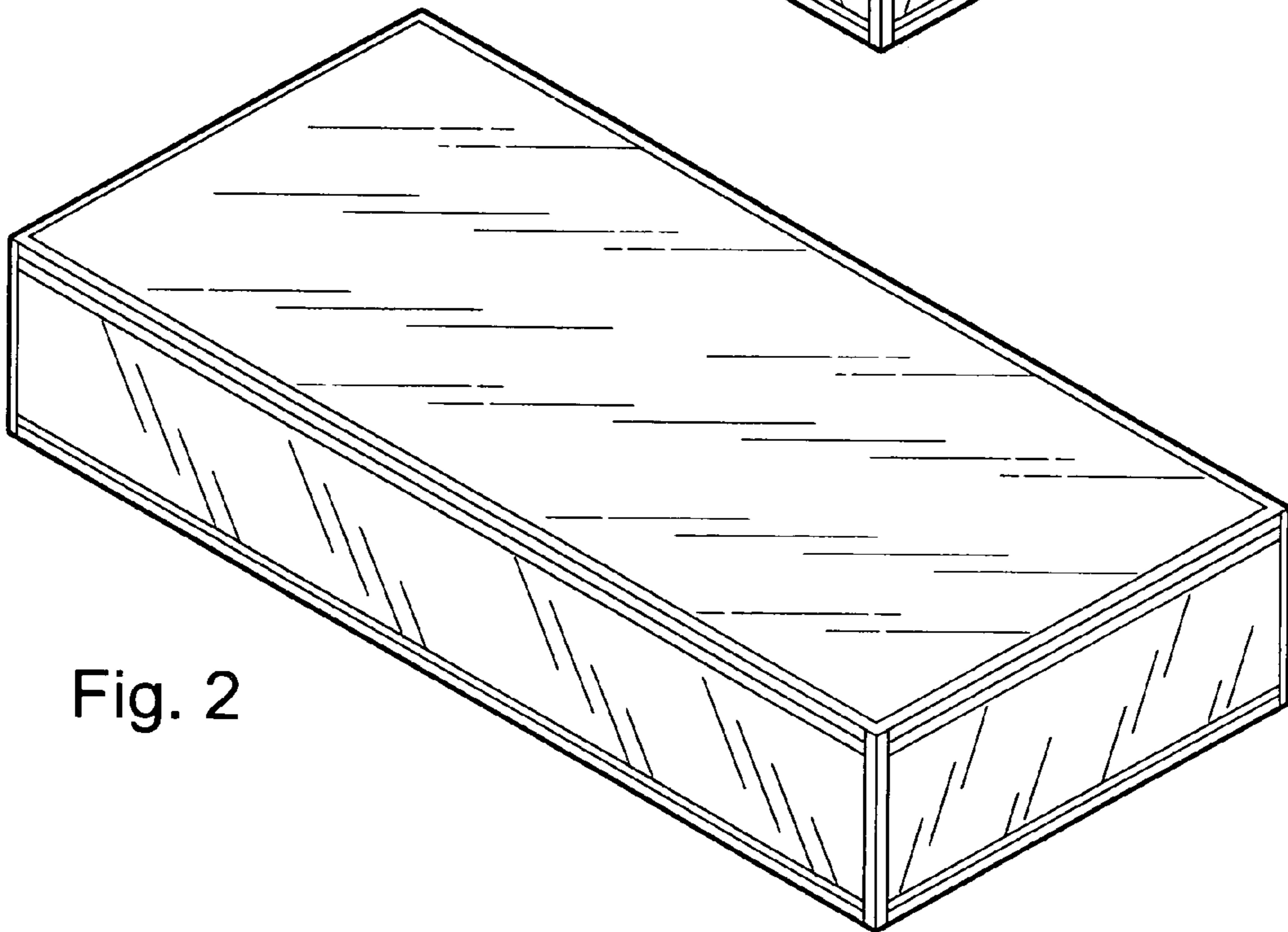


Fig. 2

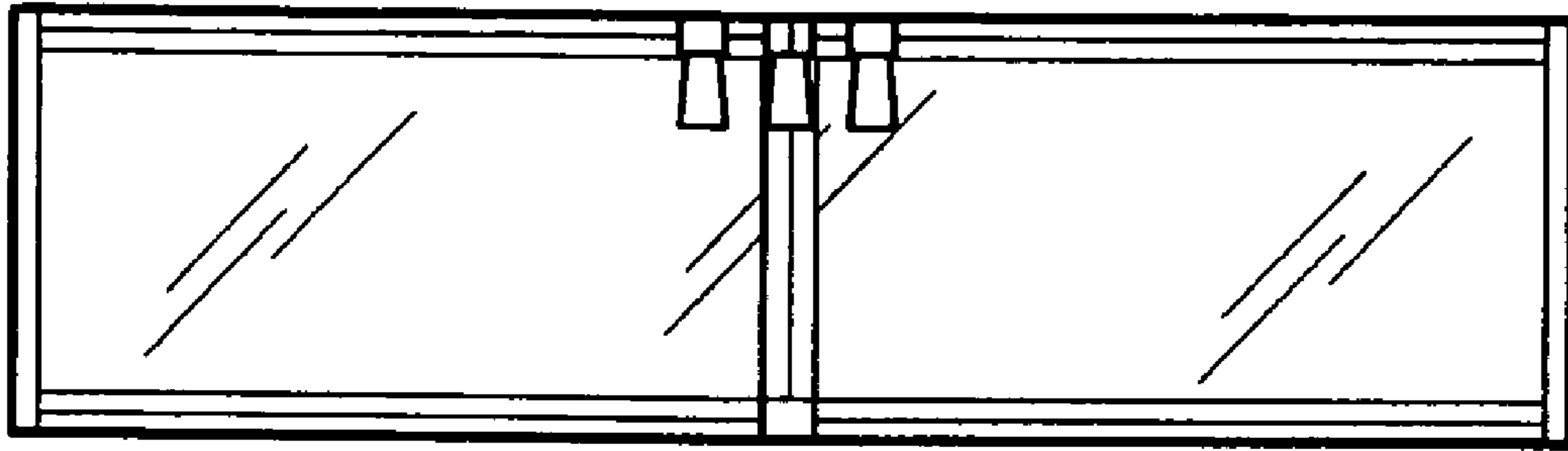


Fig. 3

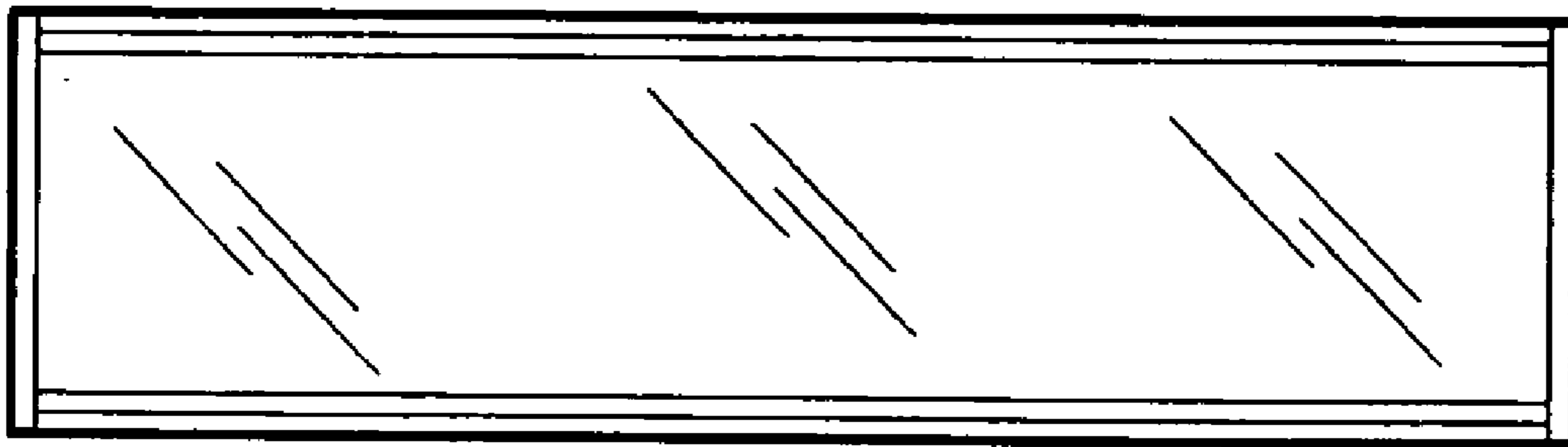


Fig. 4

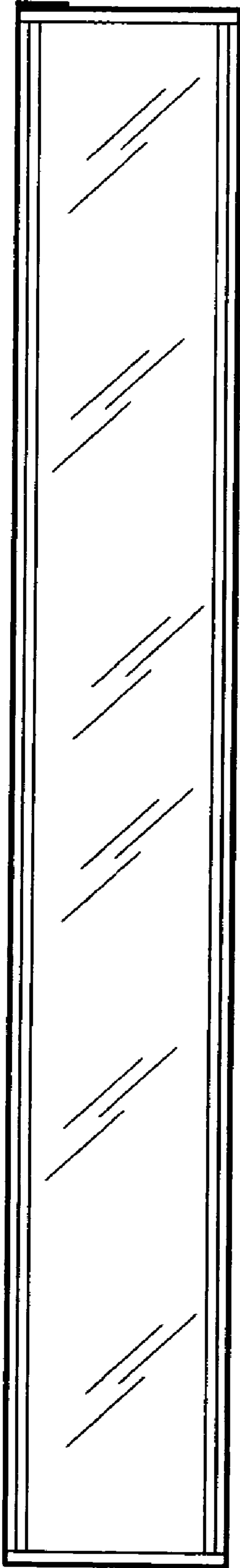


Fig. 5

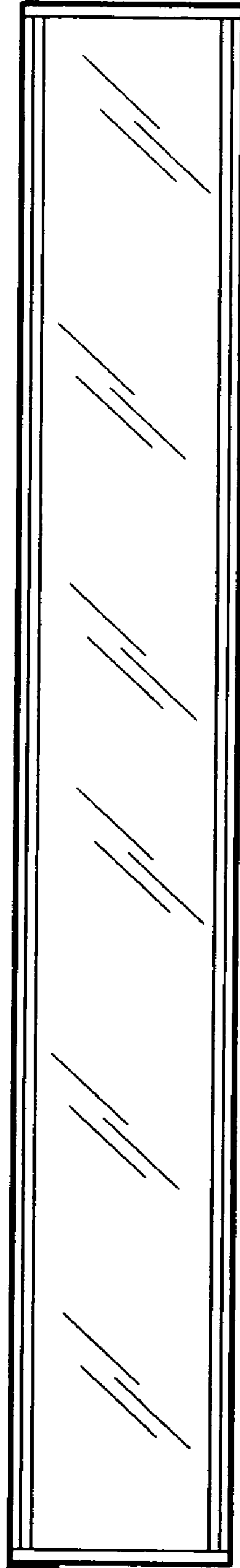


Fig. 6

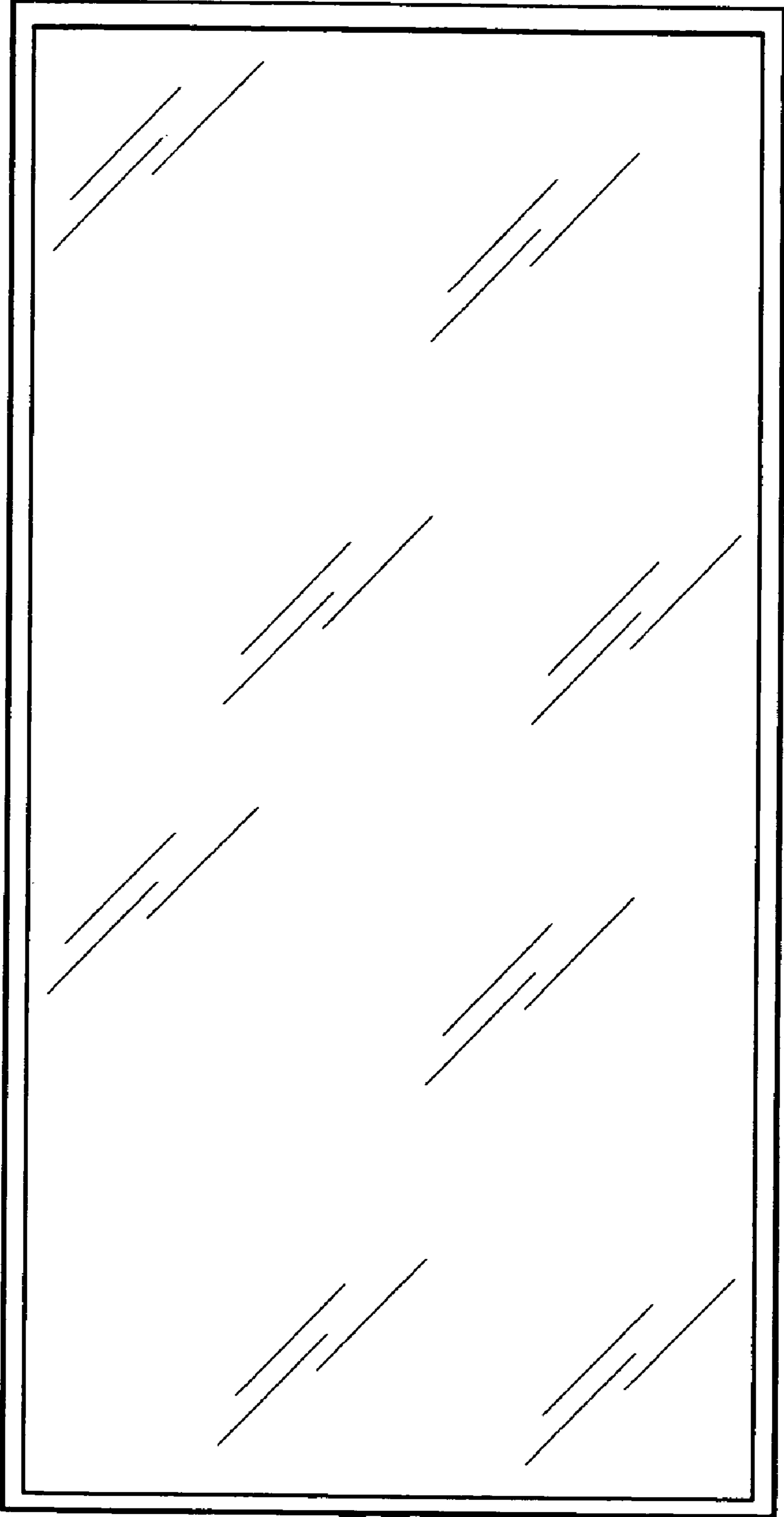


Fig. 7

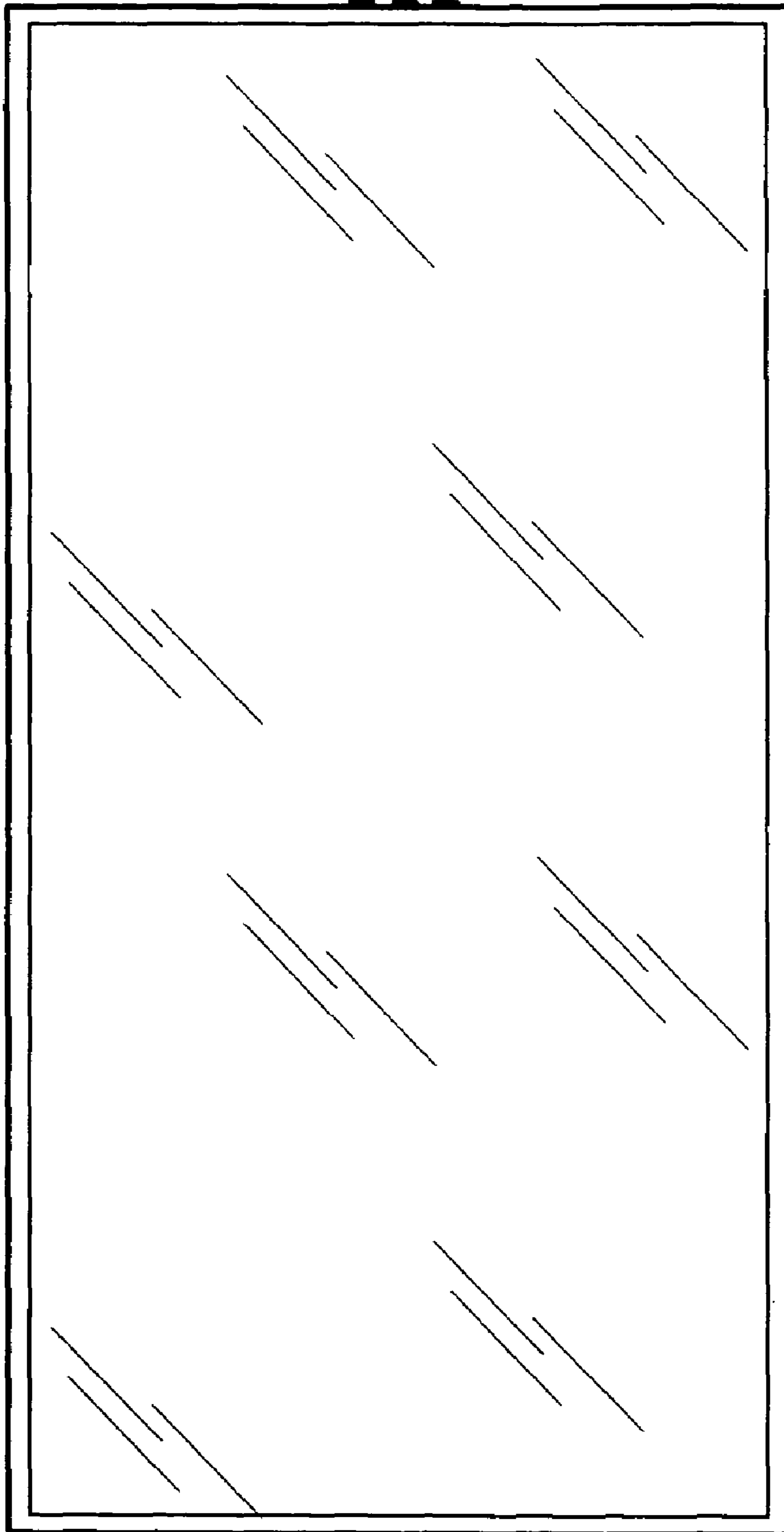


Fig. 8