



US00D546672S

(12) **United States Design Patent**
Chou

(10) **Patent No.:** **US D546,672 S**

(45) **Date of Patent:** **** Jul. 17, 2007**

(54) **FOOD CONTAINER**

(76) Inventor: **Hsin-Hung Chou**, No.2, Alley 2, Lane
250, Wen Chan Street, Taipei City (TW)

(**) Term: **14 Years**

(21) Appl. No.: **29/260,662**

(22) Filed: **May 31, 2006**

(51) **LOC (8) Cl.** **09-03**

(52) **U.S. Cl.** **D9/429**

(58) **Field of Classification Search** D9/414-432,
D9/748-762, 449, 456; D7/601-602, 629;
206/484-484.2, 518, 557, 459.1, 524.3; 220/287,
220/556, 241-2, 780-1, 350

See application file for complete search history.

(56) **References Cited**

U.S. PATENT DOCUMENTS

D186,852 S *	12/1959	Stickney et al.	D7/560
D195,740 S *	7/1963	Kulow	D9/429
D250,929 S *	1/1979	Gerstman et al.	D7/565
D264,418 S *	5/1982	Wathen, Jr.	D7/565
D337,413 S *	7/1993	Kraner	D3/312
D375,683 S *	11/1996	Schoff	D9/429
D395,822 S *	7/1998	Keal et al.	D9/429

D438,794 S *	3/2001	Miles et al.	D9/429
D452,821 S *	1/2002	Westphal	D9/429
D473,426 S *	4/2003	Jalet et al.	D7/545
D505,882 S *	6/2005	Hensen	D11/152

* cited by examiner

Primary Examiner—Louis S. Zarfes

Assistant Examiner—Susan E. Krakower

(74) *Attorney, Agent, or Firm*—Rosenberg, Klein & Lee

(57) **CLAIM**

The ornamental design for a food container, as show and described.

DESCRIPTION

FIG. 1 is a left perspective view of a food container showing my new design;

FIG. 2 is a front elevational view thereof;

FIG. 3 is a rear elevational view thereof;

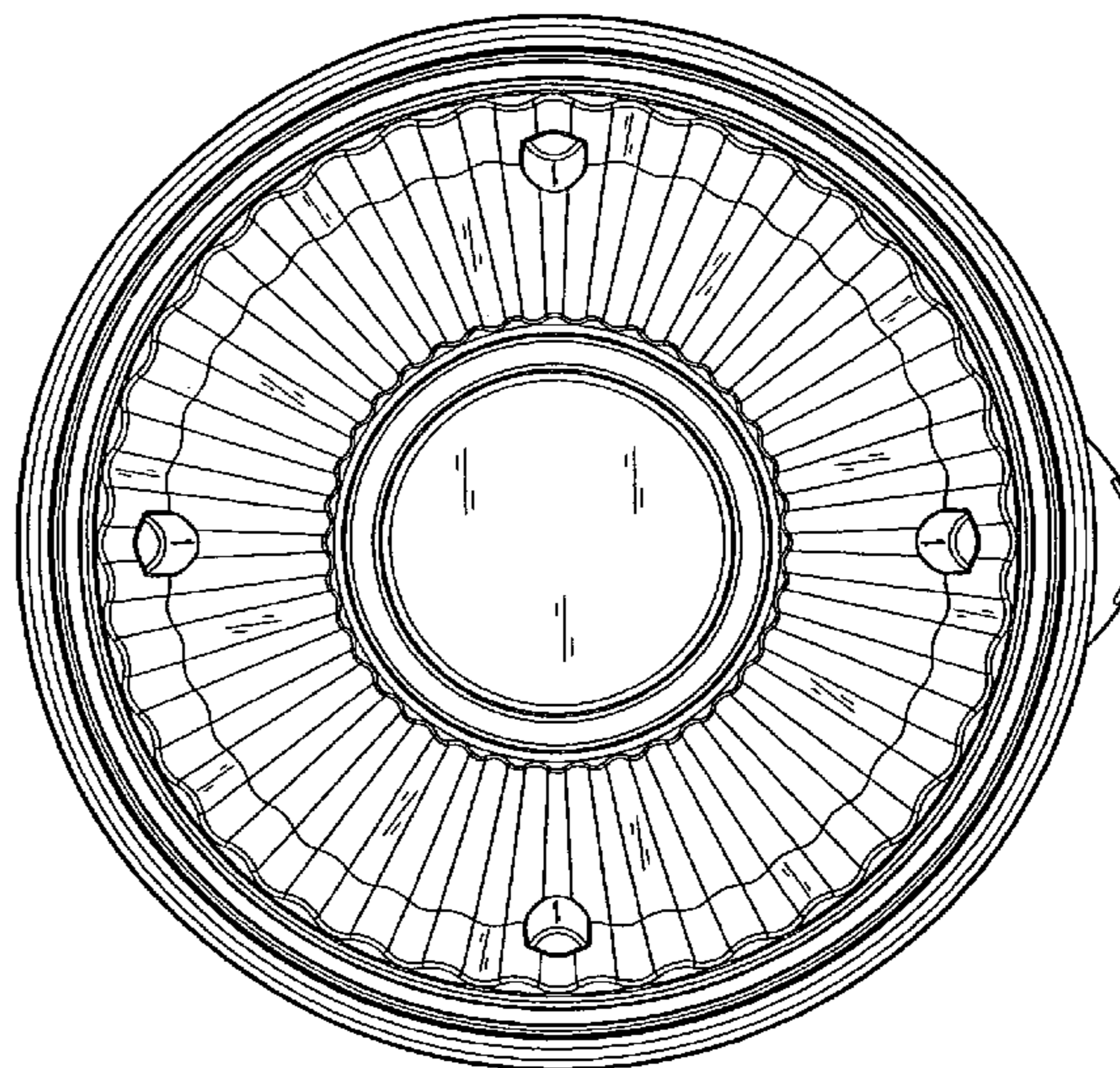
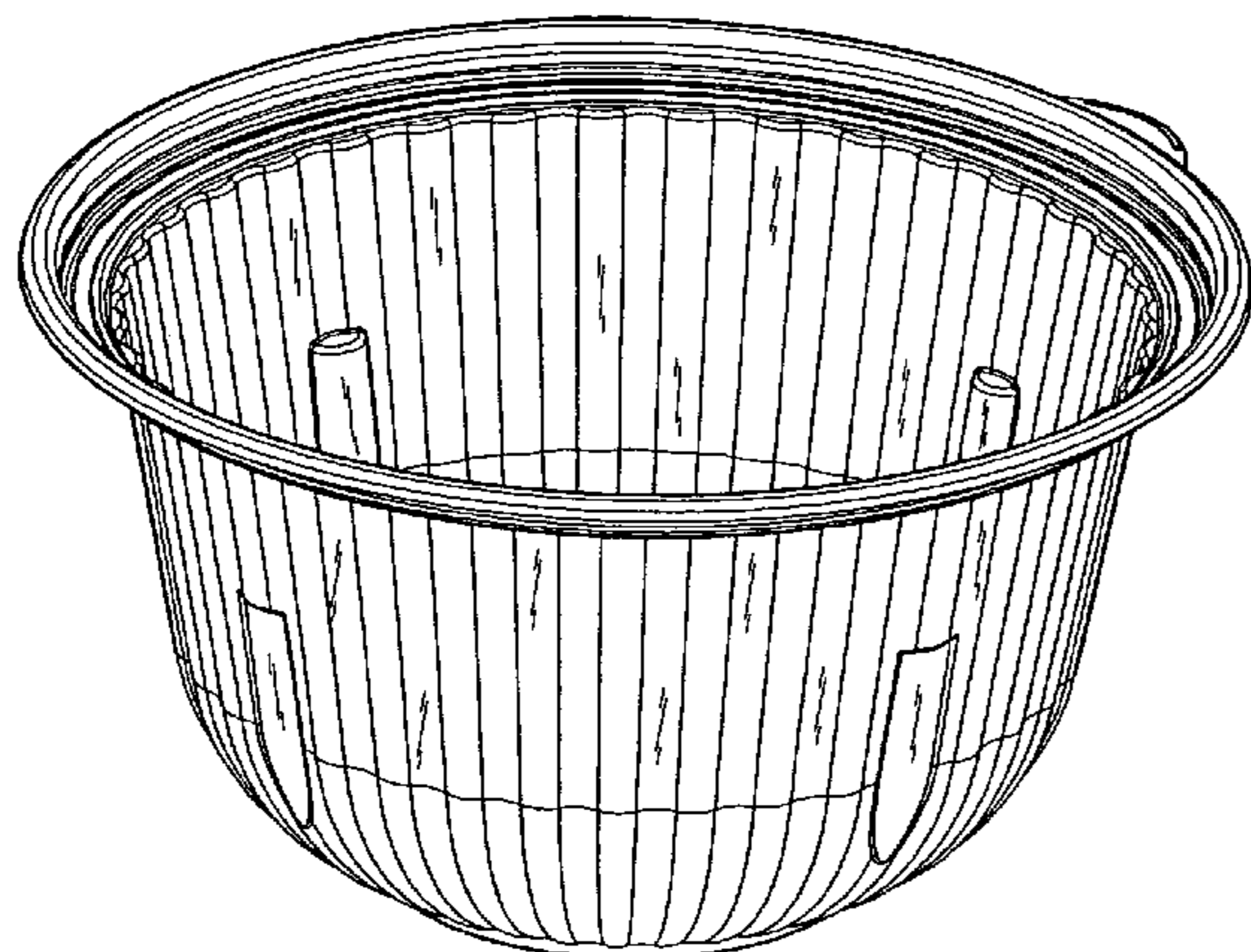
FIG. 4 is a left side elevational view thereof;

FIG. 5 is a right side elevational view thereof;

FIG. 6 is a top plan view thereof; and,

FIG. 7 is a bottom plan view thereof.

1 Claim, 5 Drawing Sheets



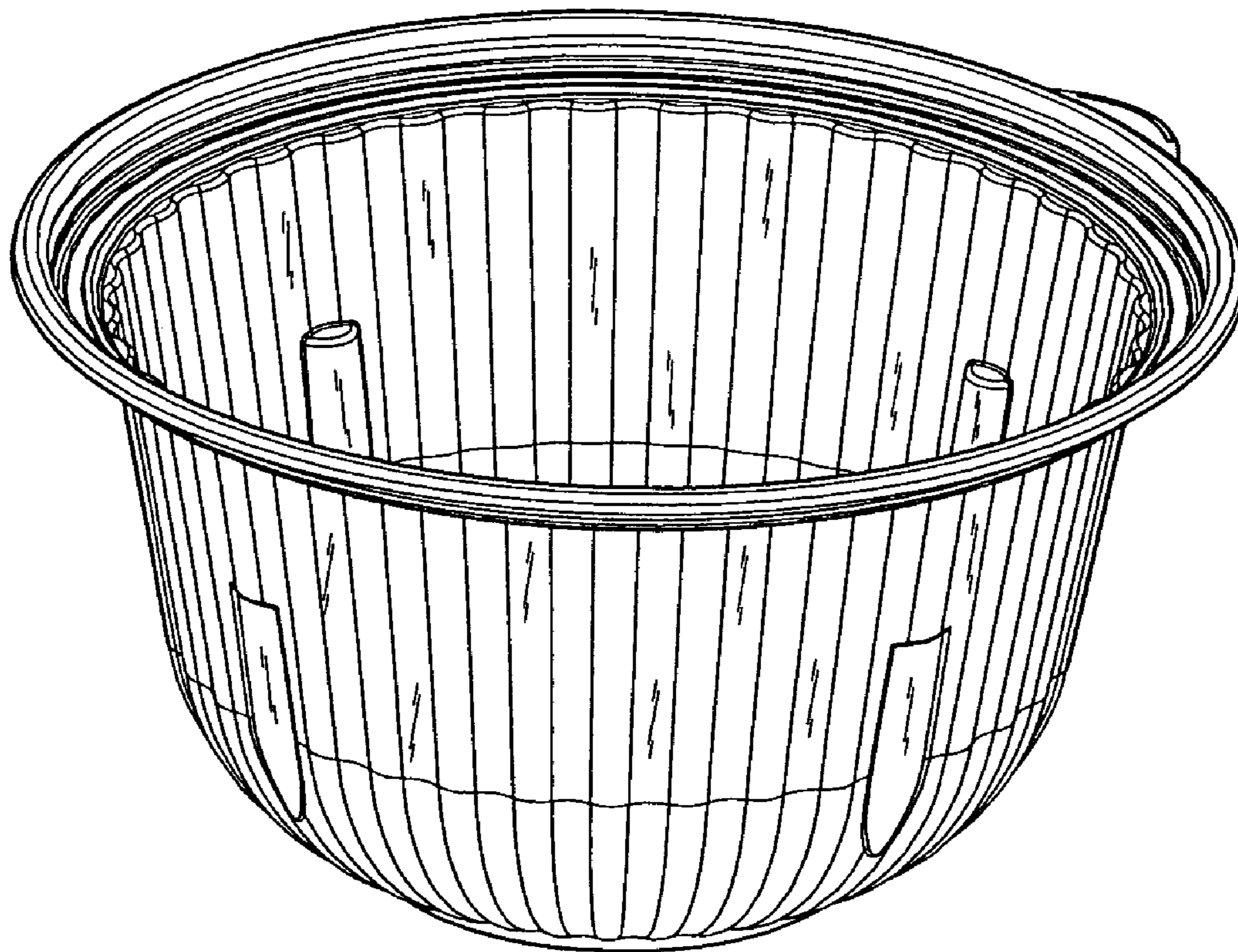


FIG. 1

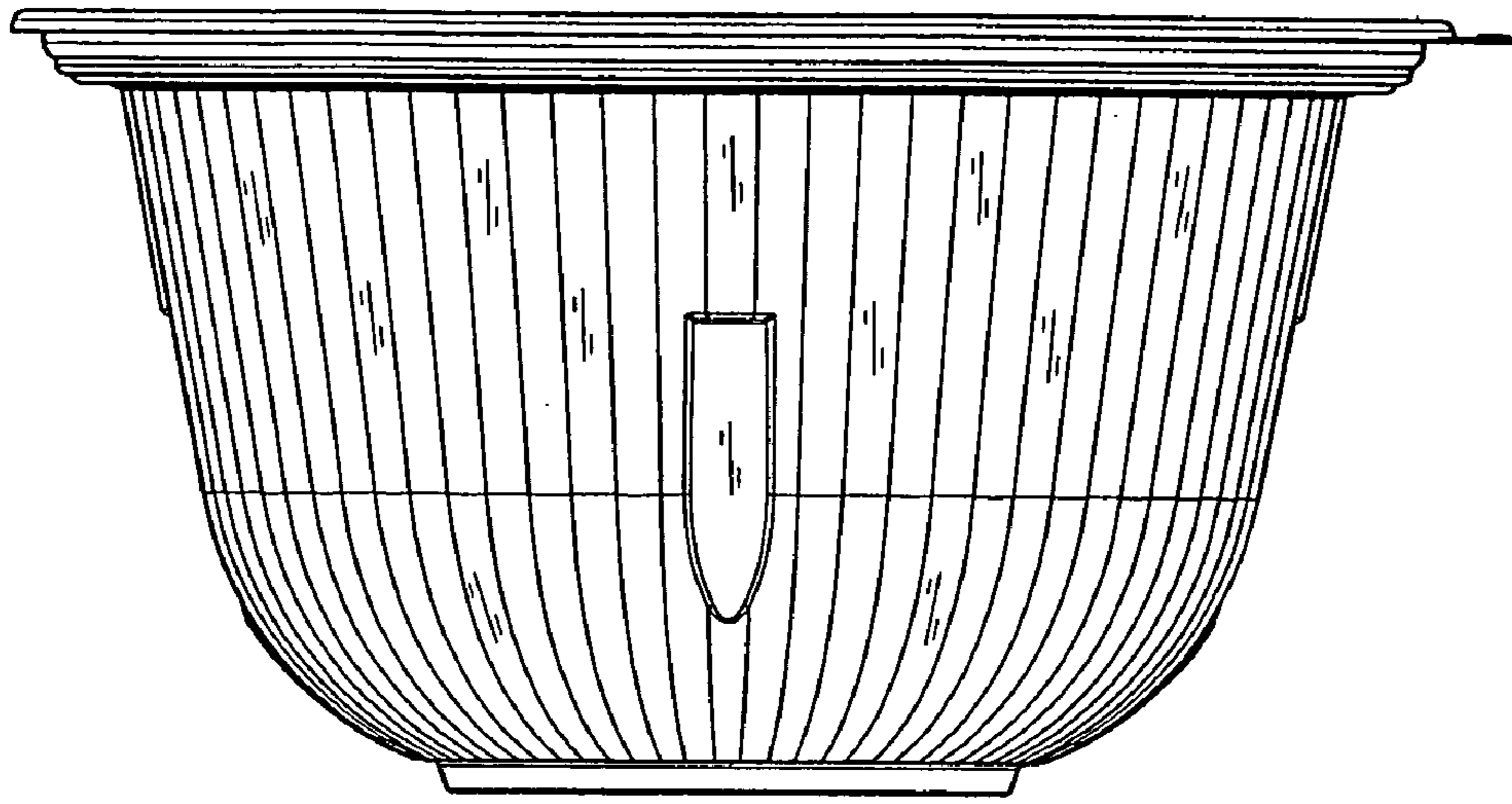


FIG. 2

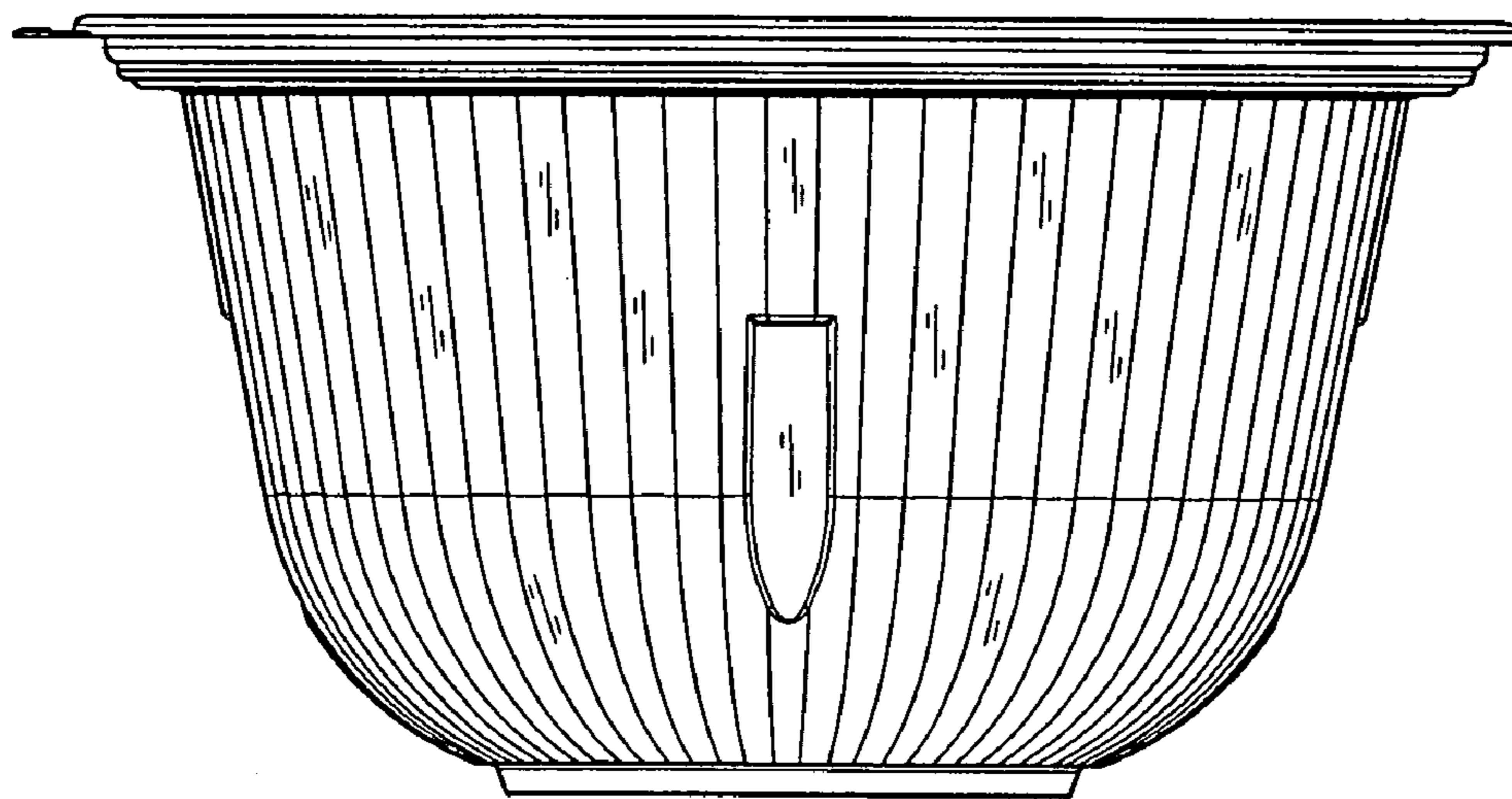


FIG. 3

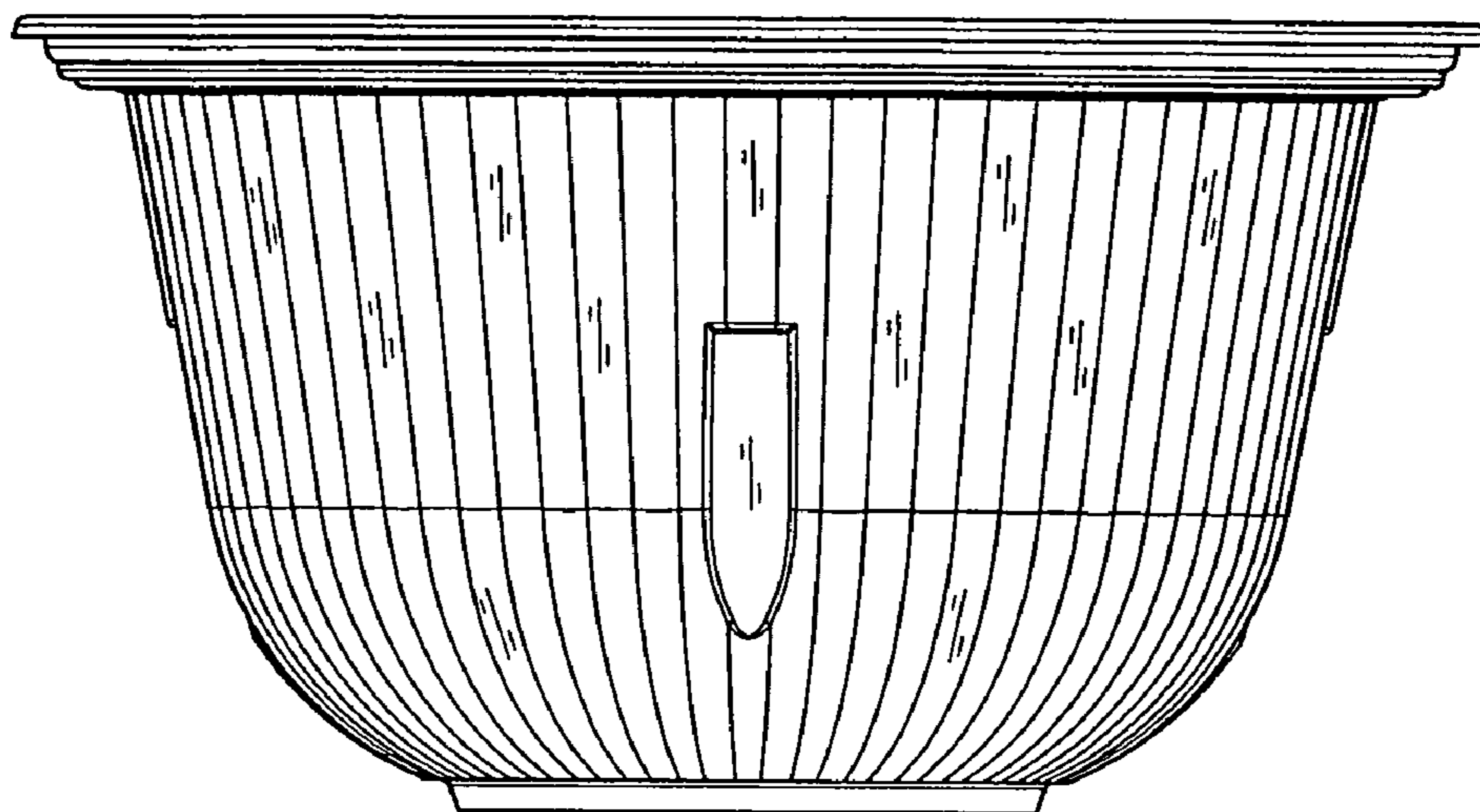


FIG.4

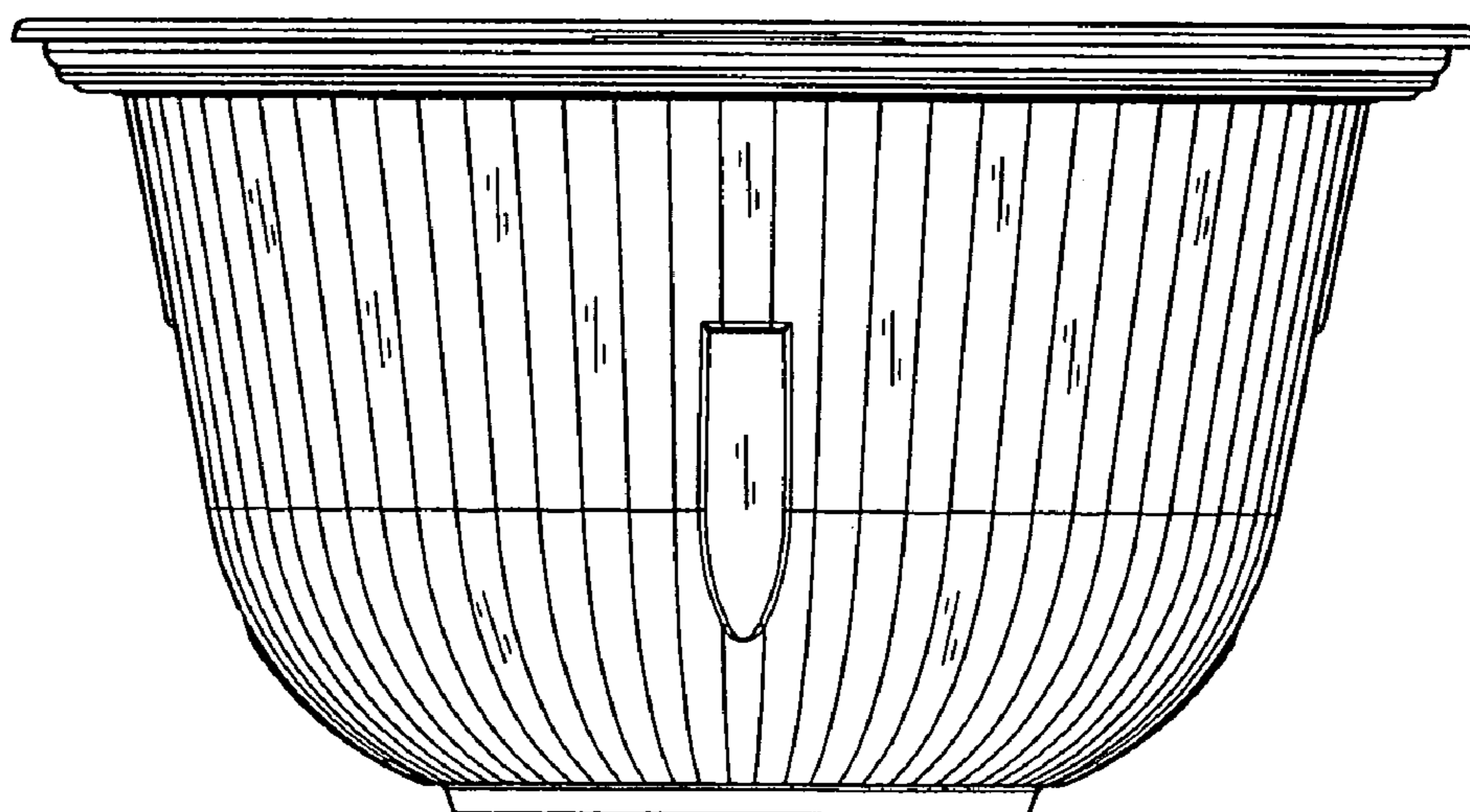


FIG.5

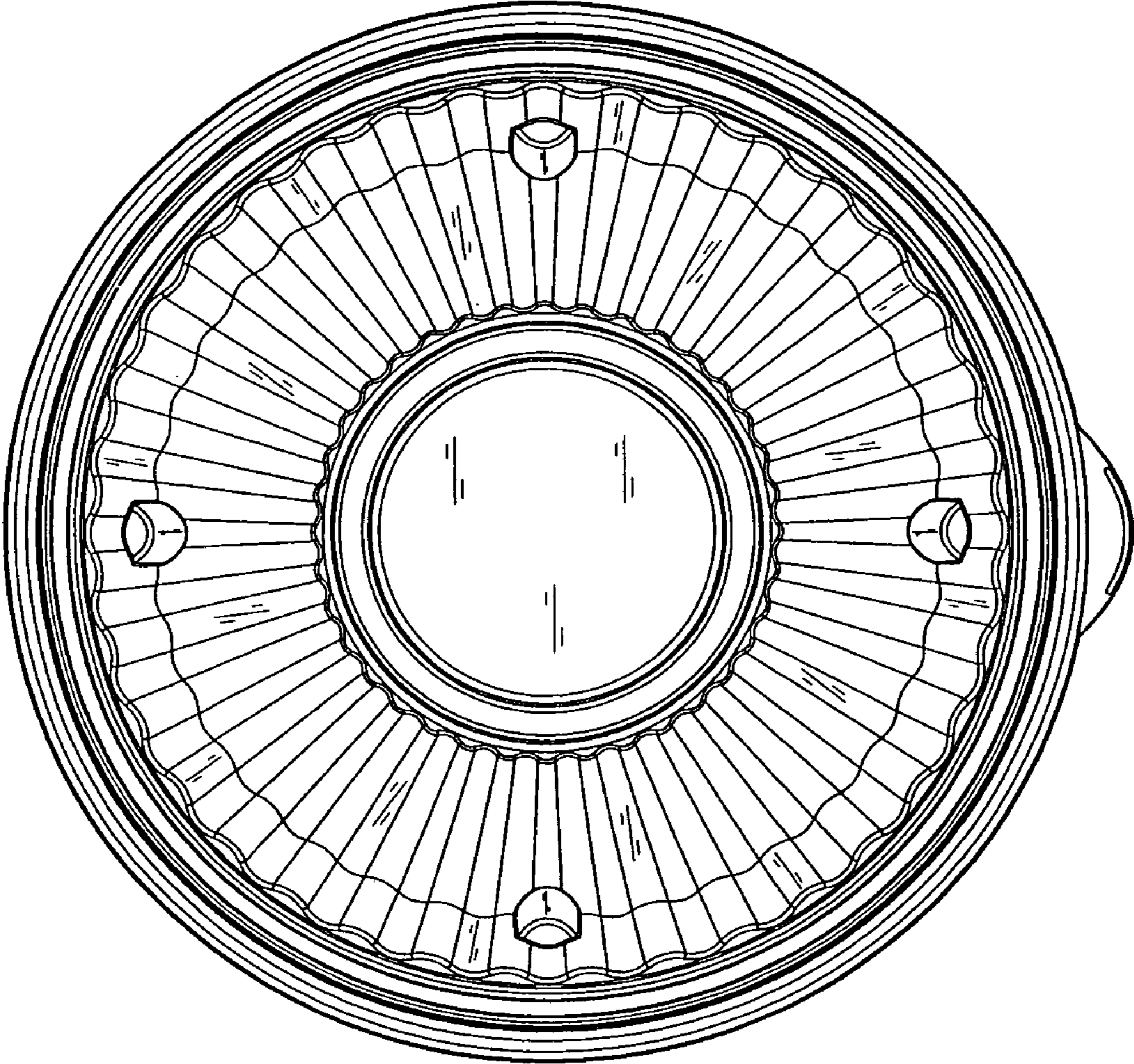


FIG.6

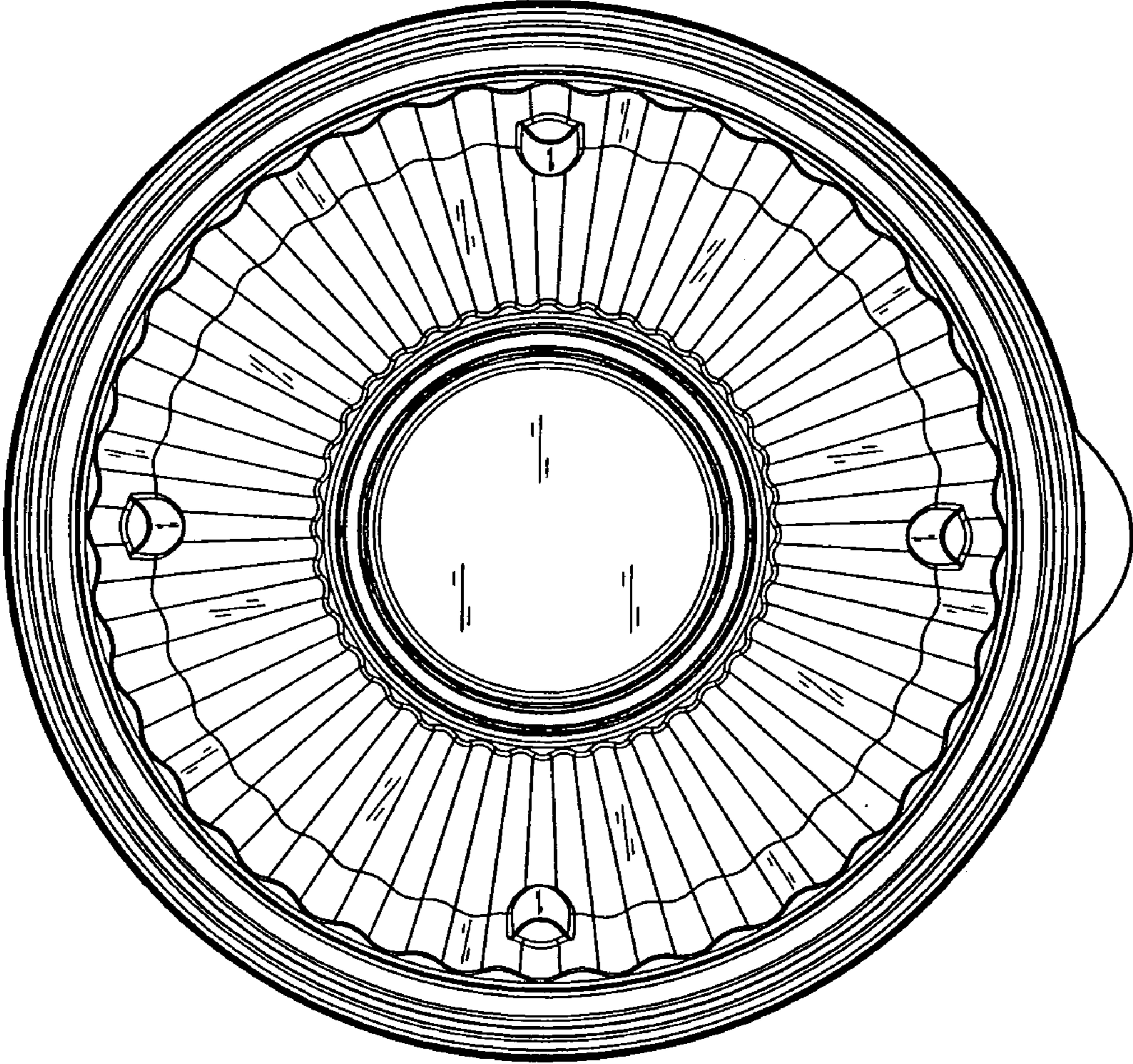


FIG.7