

US00D546668S

(12) **United States Design Patent**
Sheppard et al.

(10) **Patent No.:** **US D546,668 S**

(45) **Date of Patent:** **** Jul. 17, 2007**

(54) **PACKAGE FOR A HAIR TREATMENT PRODUCT**

(75) Inventors: **John Edward Sheppard**, Wokingham (GB); **William John Davis**, Bath (GB); **Tosh Thomas Hall**, New York City, NY (US)

(73) Assignee: **The Procter & Gamble Company**, Cincinnati, OH (US)

(**) Term: **14 Years**

(21) Appl. No.: **29/245,149**

(22) Filed: **Dec. 20, 2005**

(51) **LOC (8) Cl.** **09-03**

(52) **U.S. Cl.** **D9/418**

(58) **Field of Classification Search** D9/414-418, D9/432, 702-705, 457, 499, 901
See application file for complete search history.

(56) **References Cited**

U.S. PATENT DOCUMENTS

2,113,288	A *	4/1938	Berger	229/107
2,162,089	A *	6/1939	Kagen	229/122
3,033,357	A *	5/1962	Vogel	206/574
3,245,526	A *	4/1966	Palmer	229/138
4,109,786	A *	8/1978	Roccaforte et al.	206/783
D386,079	S *	11/1997	Harper	D9/418

D455,956	S *	4/2002	Thompson et al.	D9/418
D466,406	S *	12/2002	Solland	D9/418
D466,804	S *	12/2002	Solland	D9/418
D527,651	S *	9/2006	Cheng	D9/715
D528,906	S *	9/2006	Harper et al.	D9/418

* cited by examiner

Primary Examiner—Stella Reid

Assistant Examiner—Thomas Johannes

(74) *Attorney, Agent, or Firm*—Marianne Dressman; Melissa G. Krasovec; Tara M. Rosnell

(57) **CLAIM**

The ornamental design for a package for a hair treatment product, as shown and described.

DESCRIPTION

FIG. 1 is a perspective view of a package for a hair treatment product, showing our new design;

FIG. 2 is a front view thereof;

FIG. 3 is a right side view thereof;

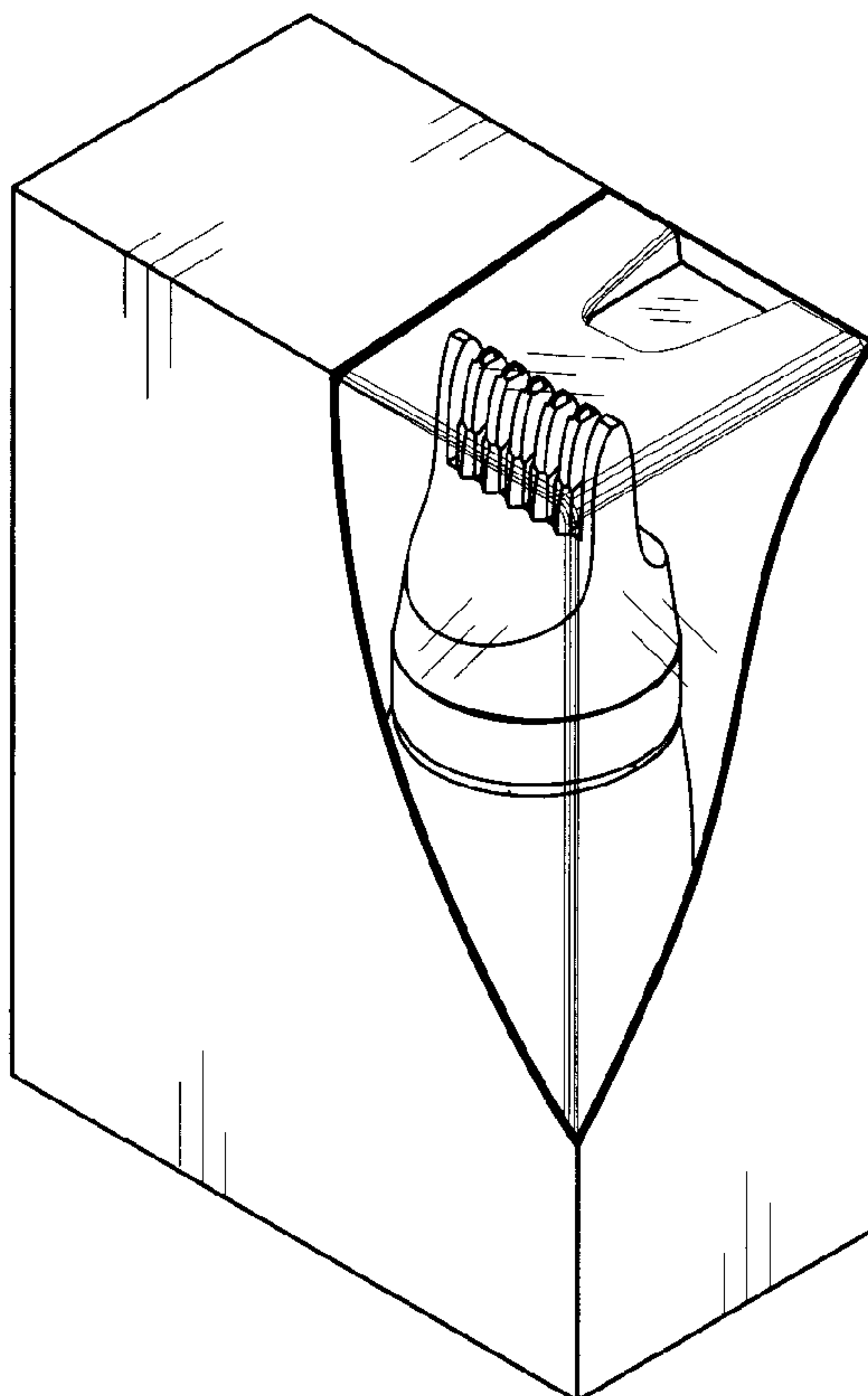
FIG. 4 is a back view thereof;

FIG. 5 is a left side view thereof;

FIG. 6 is a top view thereof; and,

FIG. 7 is a bottom view thereof.

1 Claim, 4 Drawing Sheets



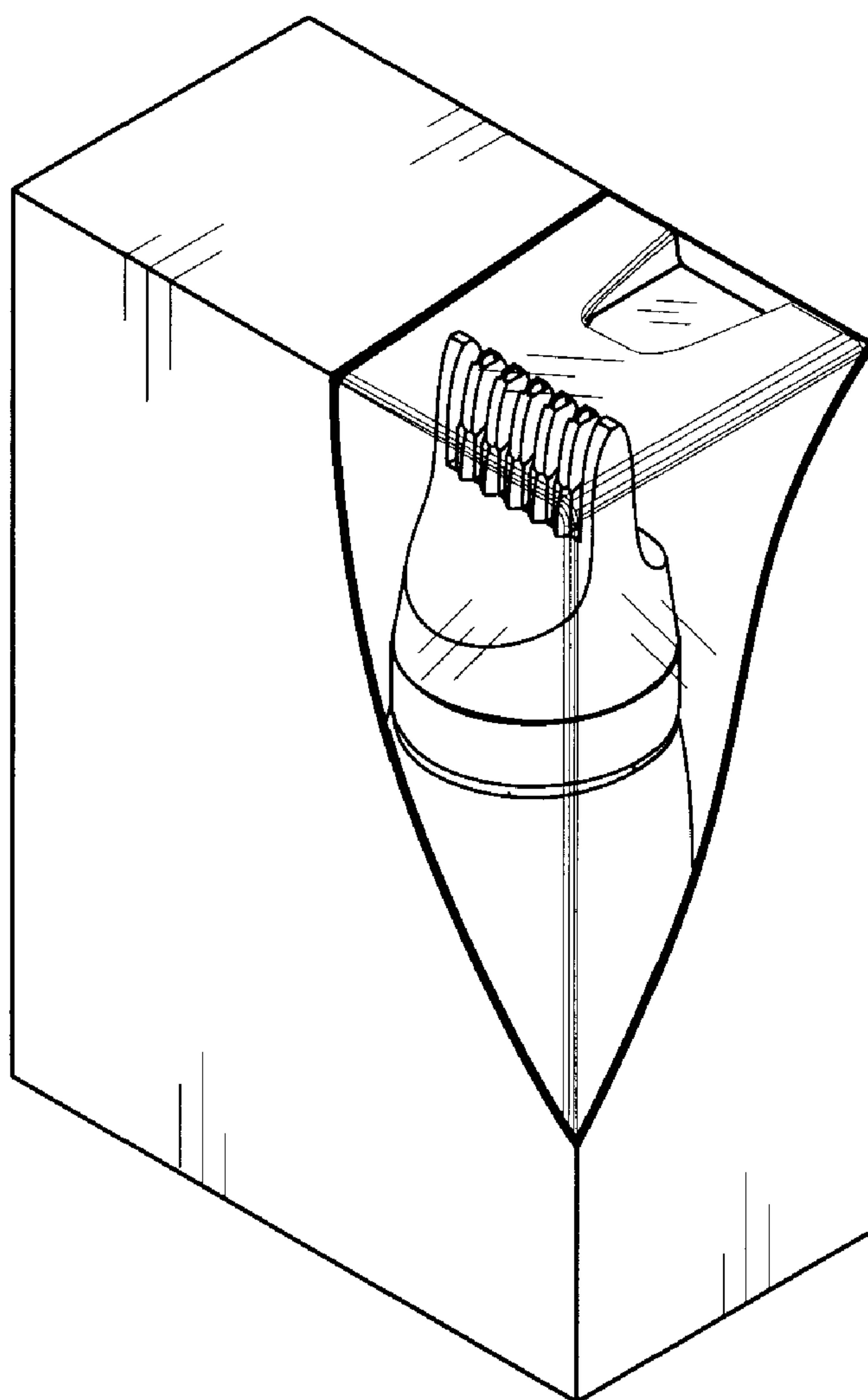


Fig. 1

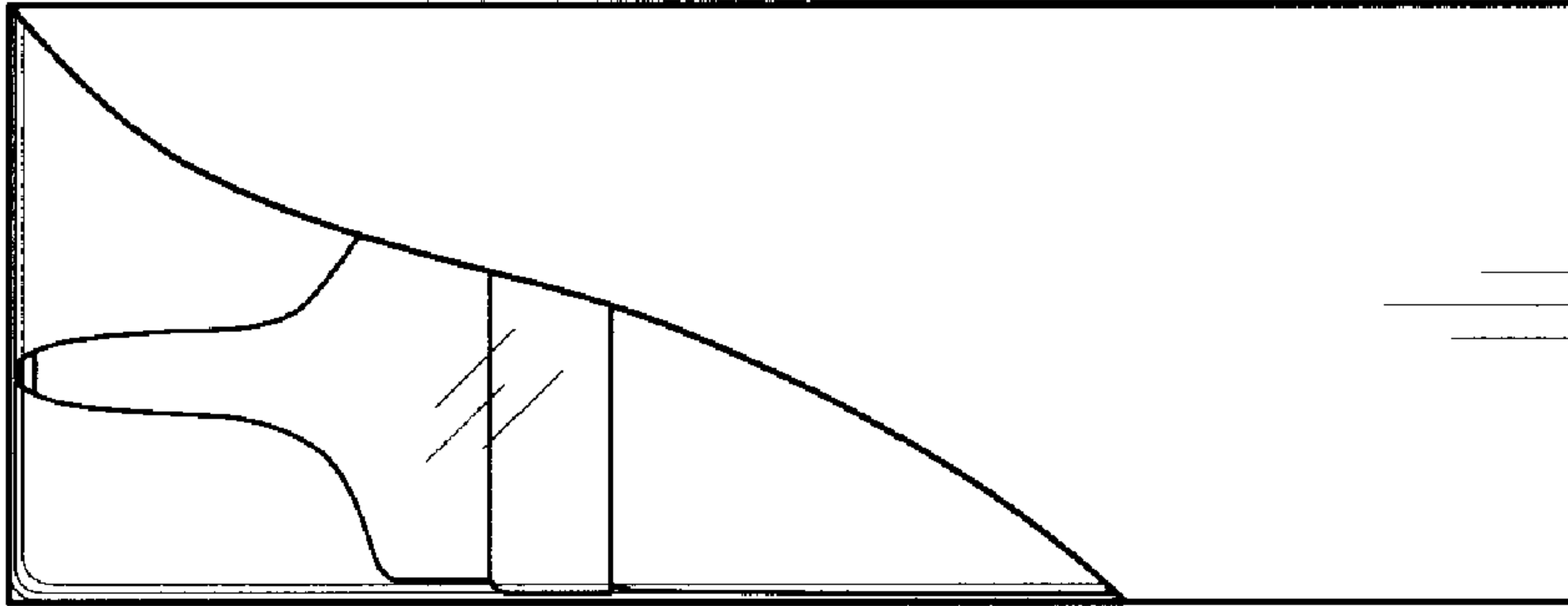


Fig. 3

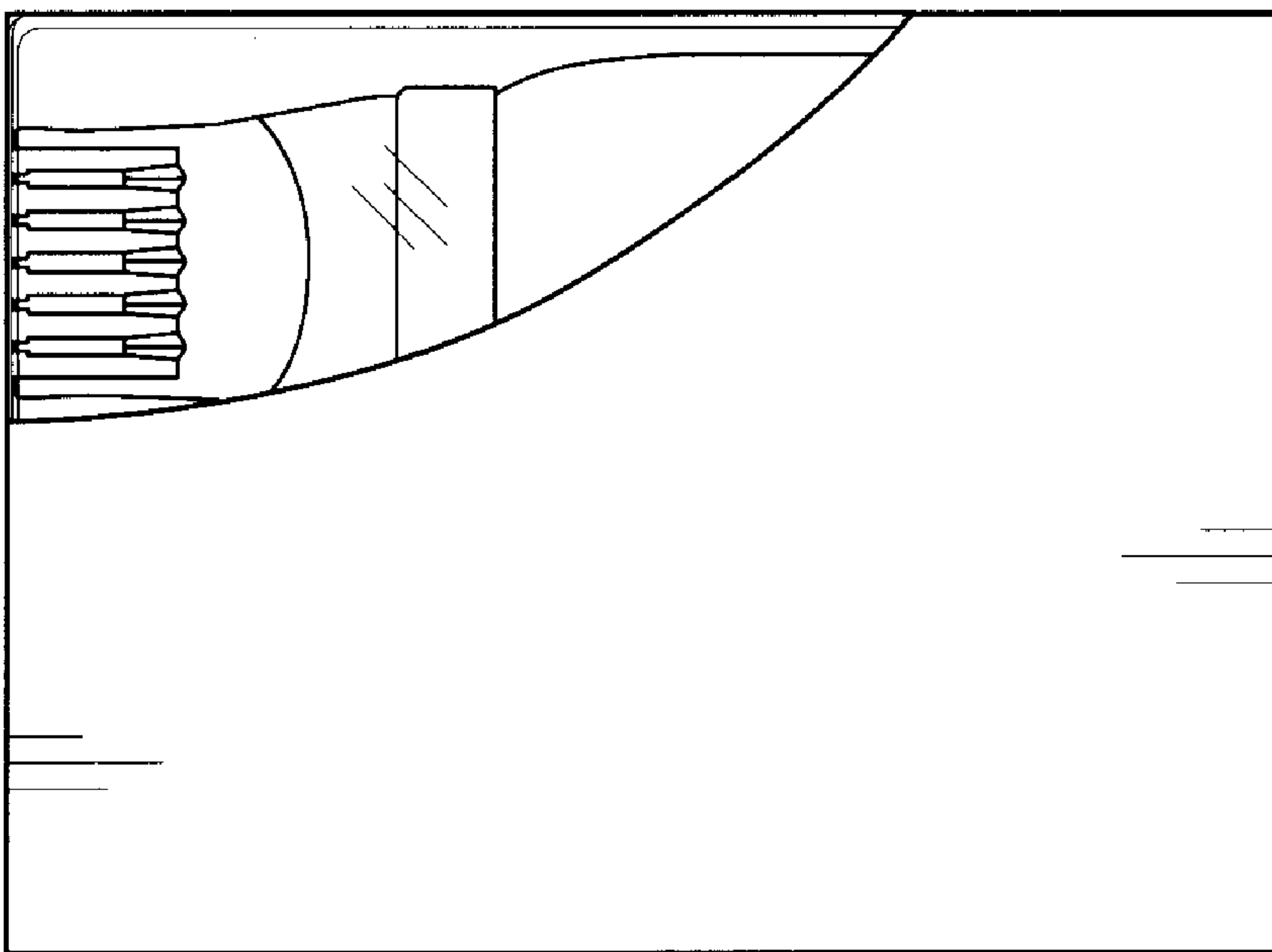


Fig. 2

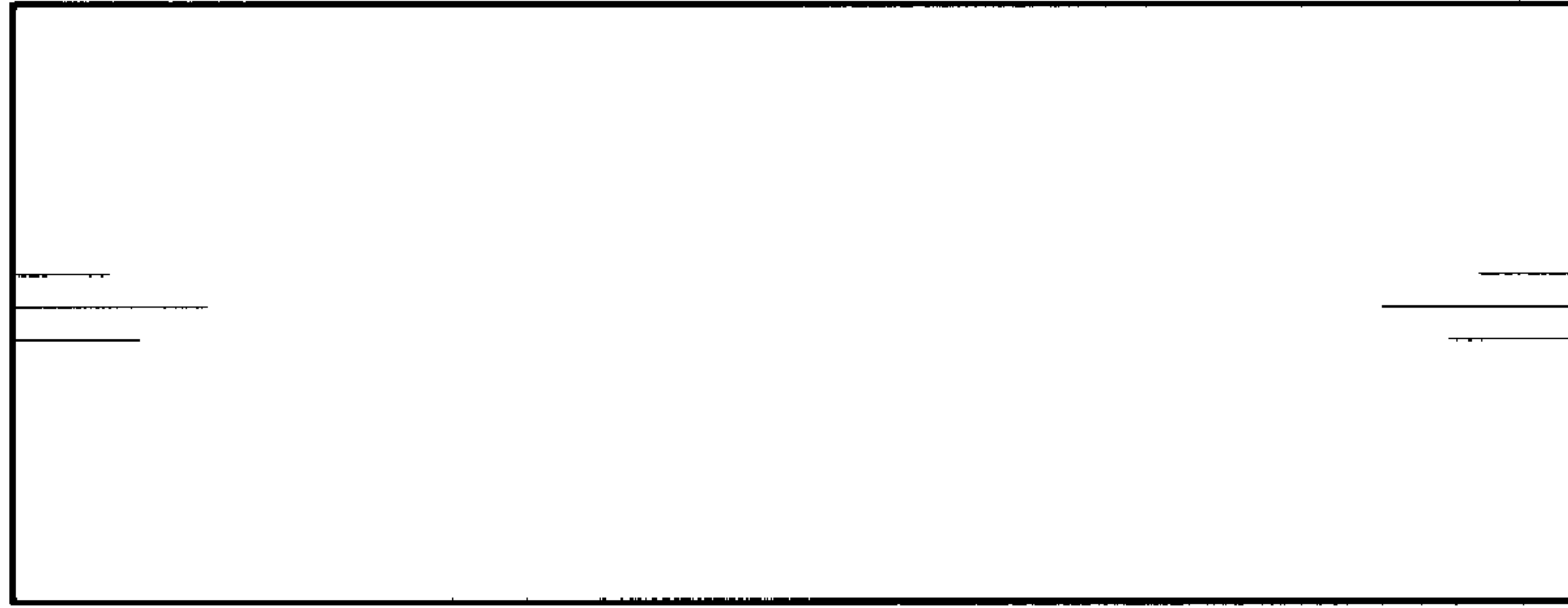


Fig. 5

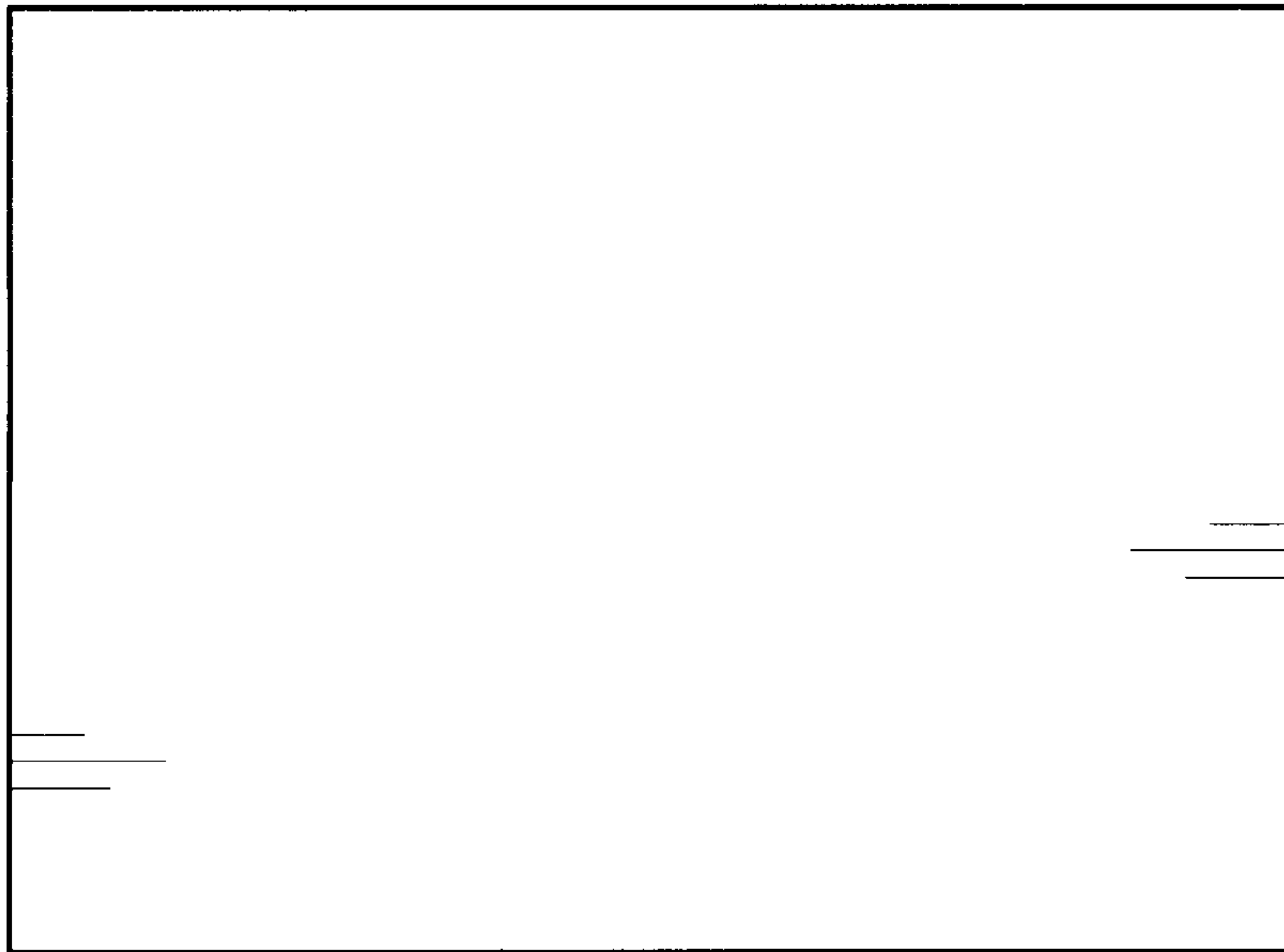


Fig. 4

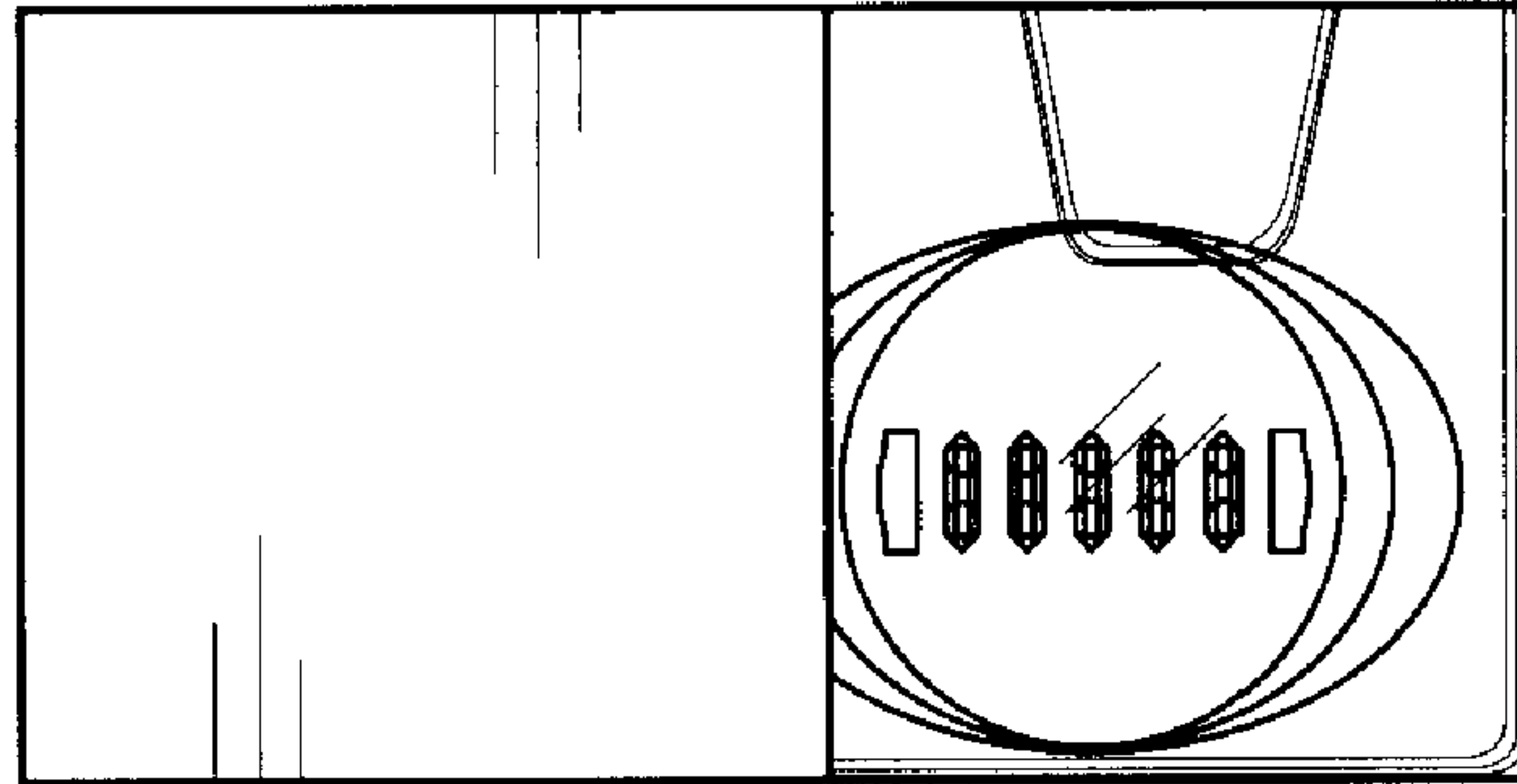


Fig. 6

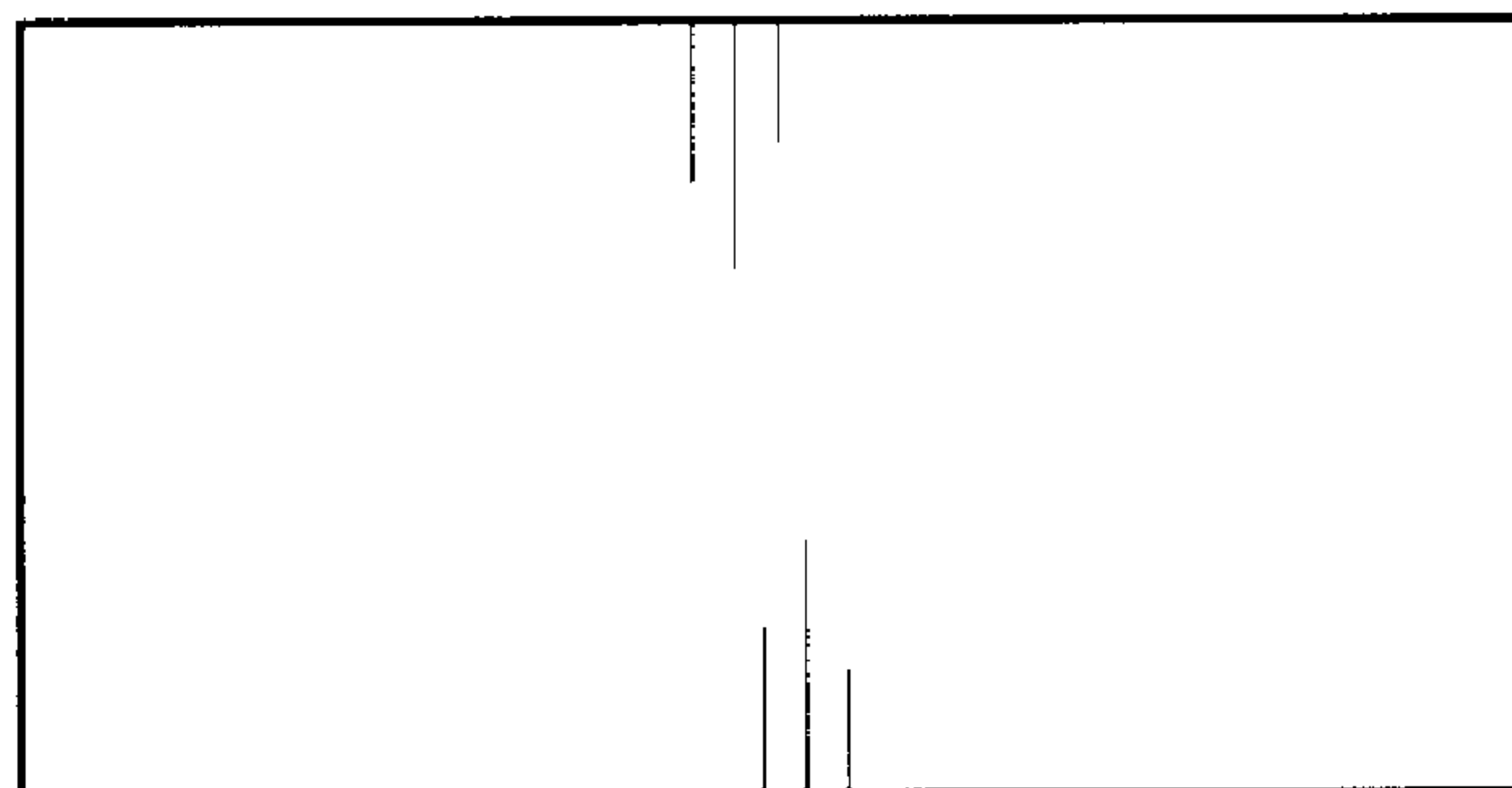


Fig. 7