

US00D546666S

(12) **United States Design Patent**
Mohlin et al.

(10) **Patent No.:** **US D546,666 S**
(45) **Date of Patent:** **** Jul. 17, 2007**

(54) **HOSE CLAMP**

6,533,333 B1 * 3/2003 Radzik 285/367
6,584,654 B1 * 7/2003 Schaub 24/279

(75) Inventors: **Roland Mohlin**, Gnosjö (SE); **Lennart Andersson**, Bor (SE)

OTHER PUBLICATIONS

(73) Assignee: **ABA of Sweden AB**, Anderstorp (SE)

Hose Clamp Design, Foreign Catalog [Norma Standard-Programm], pp. 8, JPO Design Division Documents Card No. HD08000260, Received by the National Center for Industrial Property Information on Mar. 21, 1996.

(**) Term: **14 Years**

* cited by examiner

(21) Appl. No.: **29/238,651**

Primary Examiner—Louis S. Zarfaz
Assistant Examiner—John Windmuller

(22) Filed: **Sep. 20, 2005**

(74) *Attorney, Agent, or Firm*—Birch, Stewart, Kolasch & Birch, LLP

(30) **Foreign Application Priority Data**

Apr. 1, 2005 (EM) 000317607-0001/0003

(57) **CLAIM**

(51) **LOC (8) Cl.** **08-08**

The ornamental design for a hose clamp, as shown and described.

(52) **U.S. Cl.** **D8/396**

(58) **Field of Classification Search** D8/356,
D8/371, 394-396, 499, 53, 100, 365; D12/51;
D19/65, 90; D28/39, 40, 42; 24/546, 563,
24/910, 327, 334, 279, DIG. 8, DIG. 9, DIG. 13,
24/280, DIG. 28, 284; 248/74.2, 300, 301,
248/316.7, 229.26

DESCRIPTION

See application file for complete search history.

FIG. 1 is a perspective view of a hose clamp showing my new design;

FIG. 2 is a top plan view thereof;

FIG. 3 is a front elevational view thereof;

FIG. 4 is a right side elevational view thereof;

FIG. 5 is a rear elevational view thereof;

FIG. 6 is a left side elevational view thereof; and,

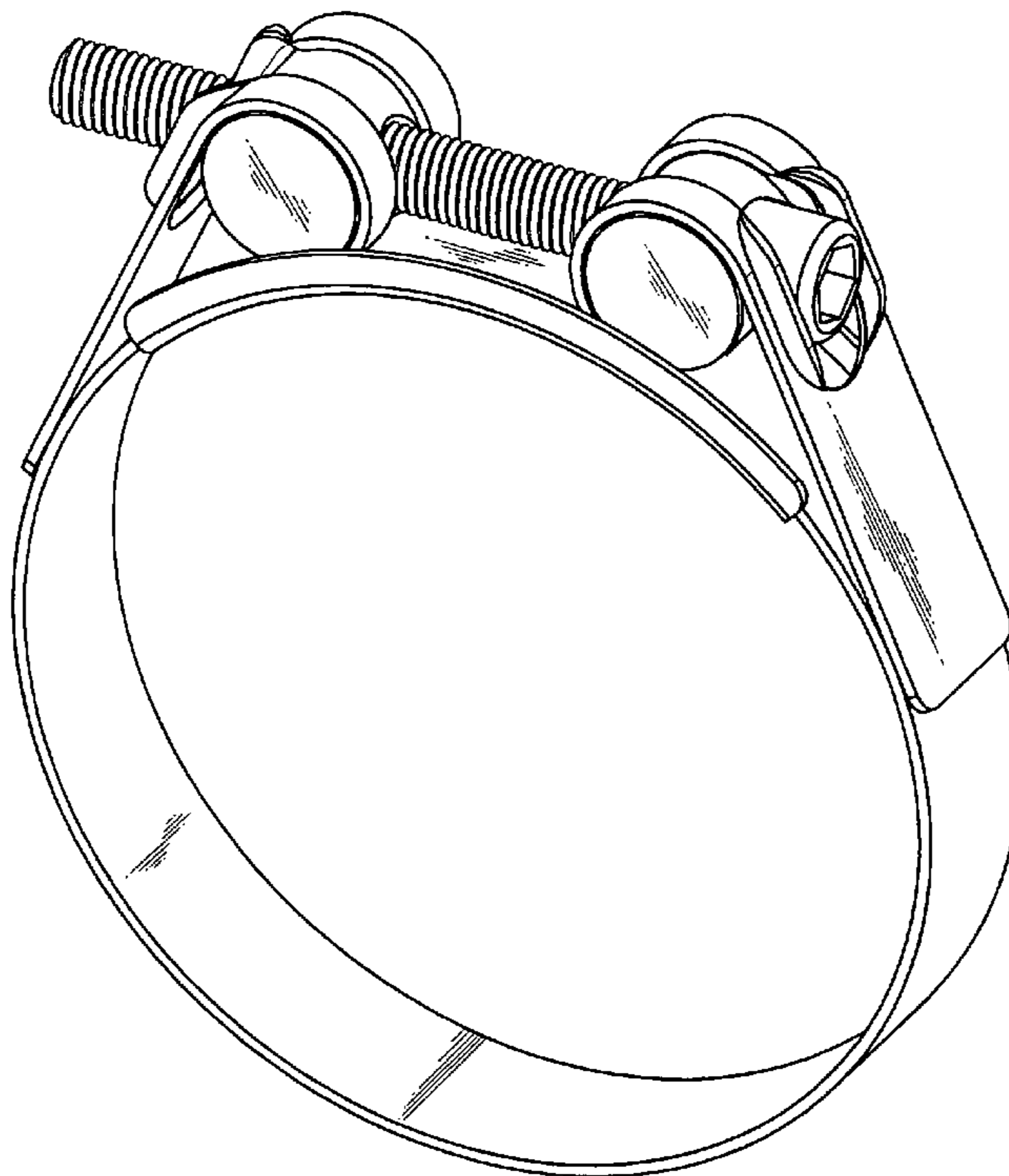
FIG. 7 is a bottom plan view thereof.

(56) **References Cited**

U.S. PATENT DOCUMENTS

3,006,663 A * 10/1961 Bowne 285/233
3,010,172 A * 11/1961 Kaplan 24/279
3,695,638 A * 10/1972 Blakeley 285/112
4,365,393 A * 12/1982 Hauffe et al. 24/279
6,490,765 B2 * 12/2002 Anthes et al. 24/279

1 Claim, 3 Drawing Sheets



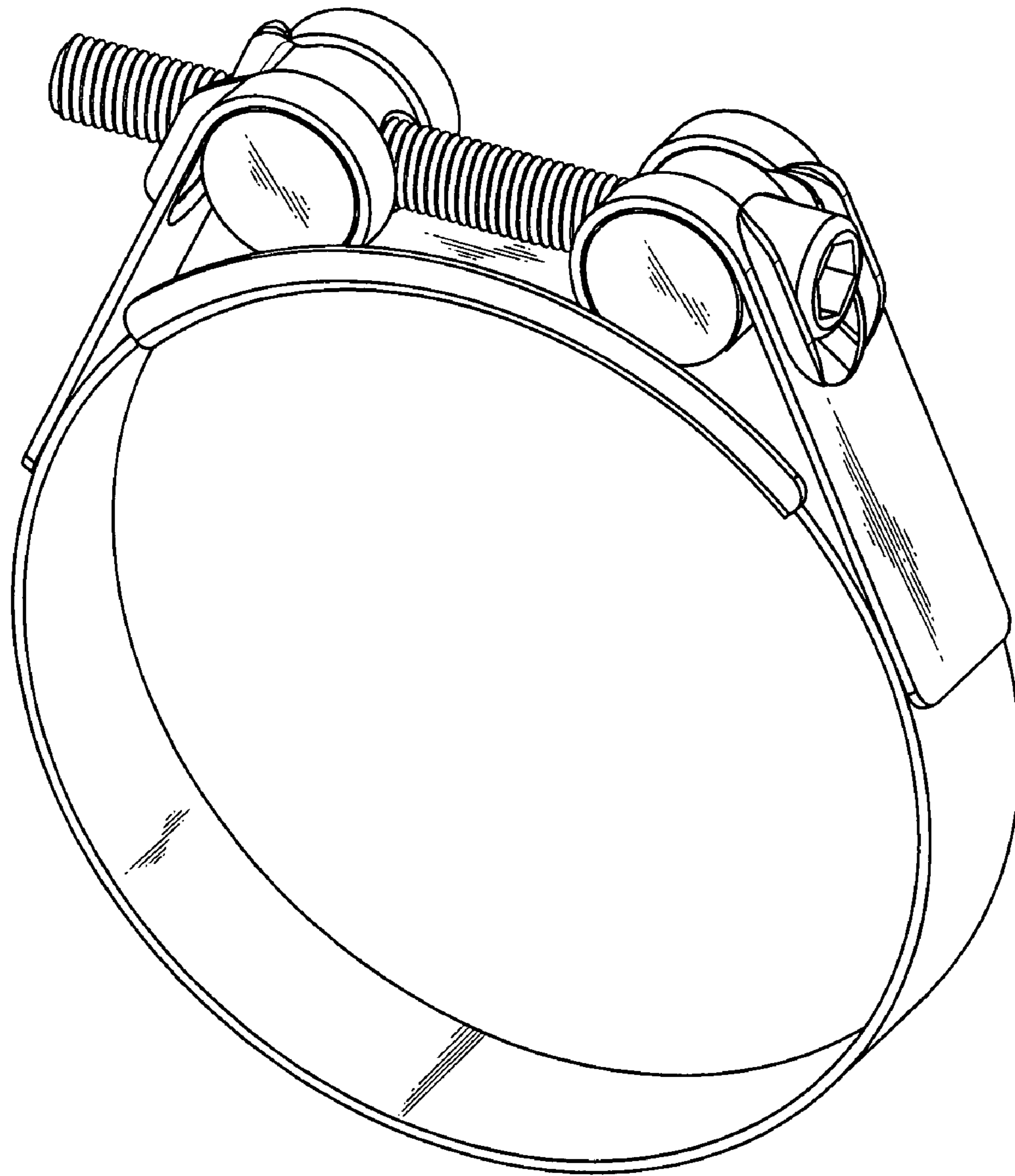


Figure 1

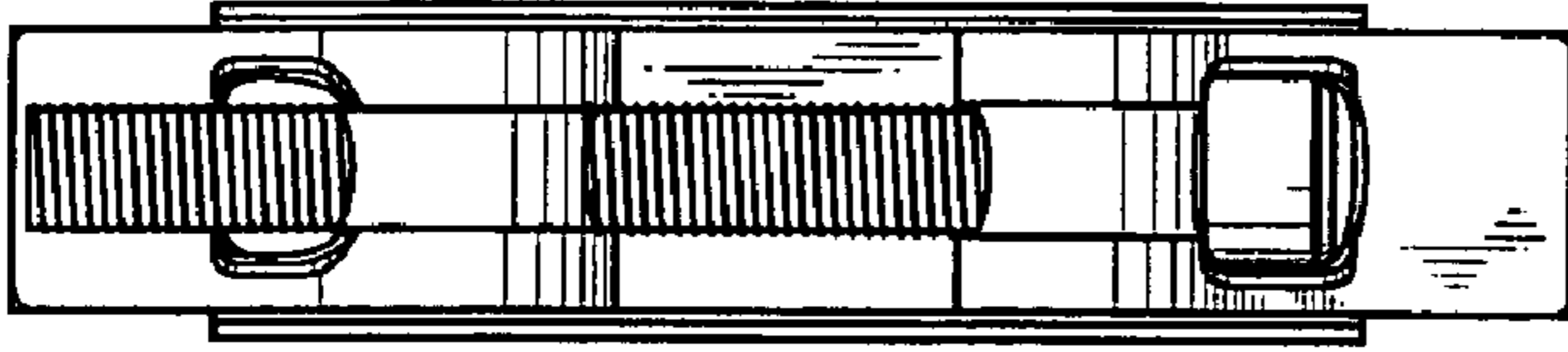


Figure 2

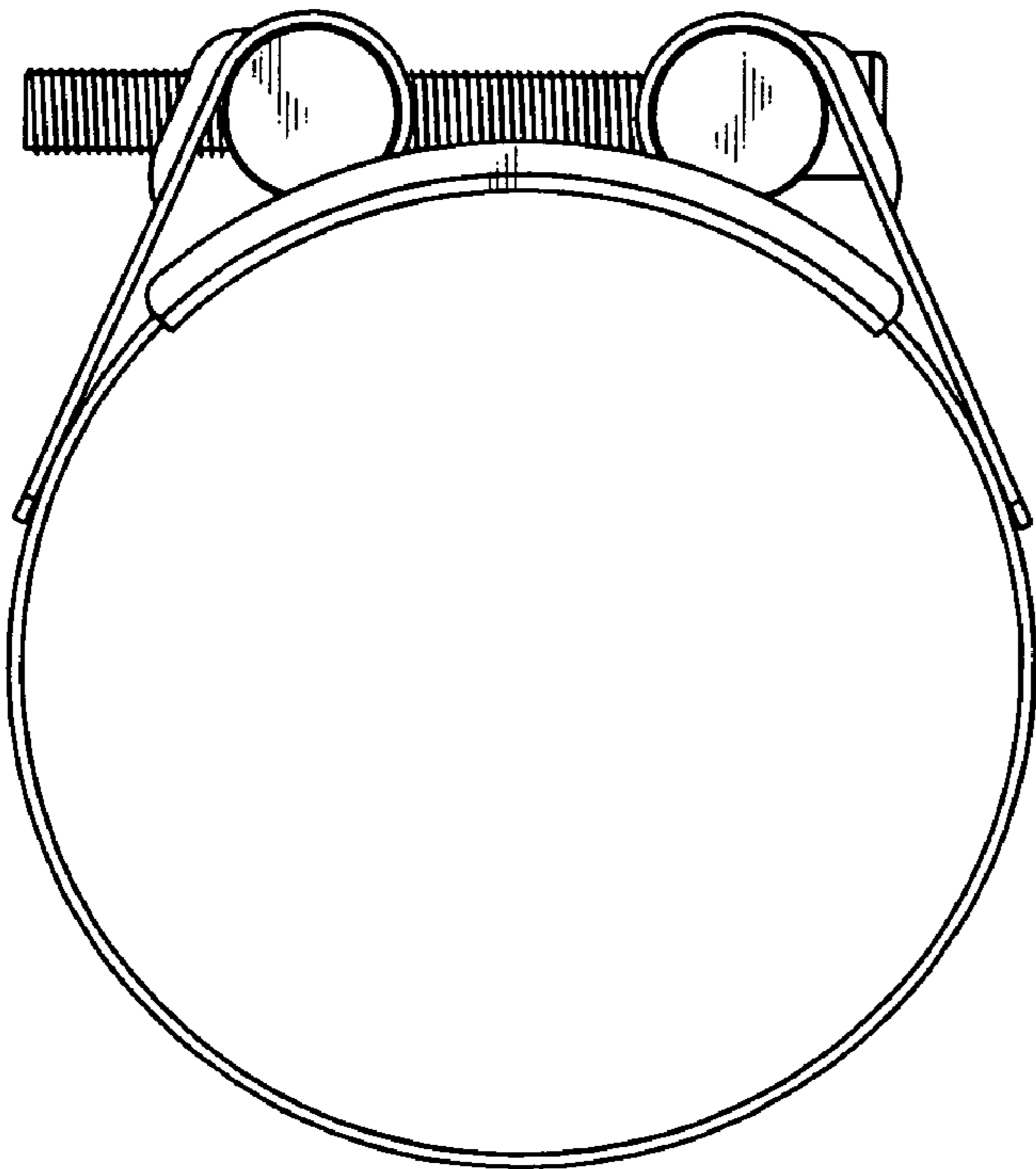


Figure 3

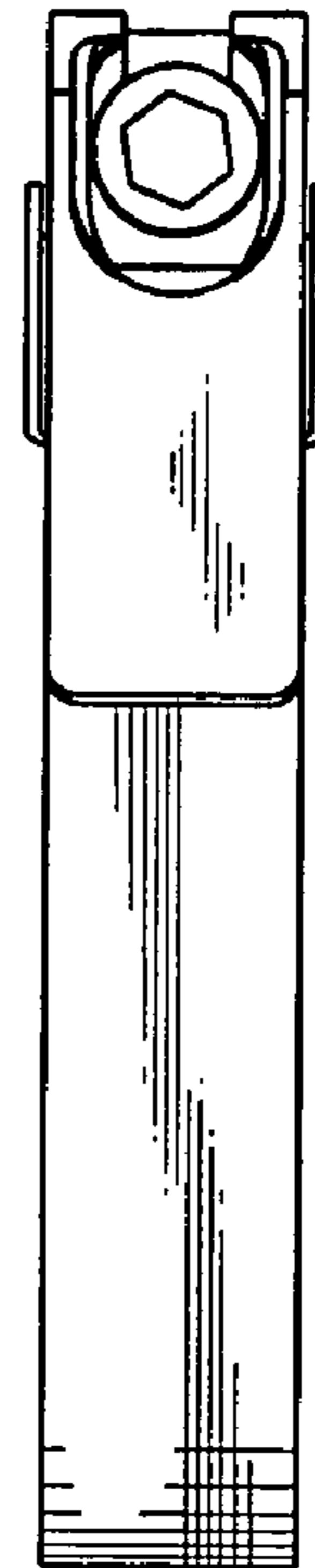


Figure 4

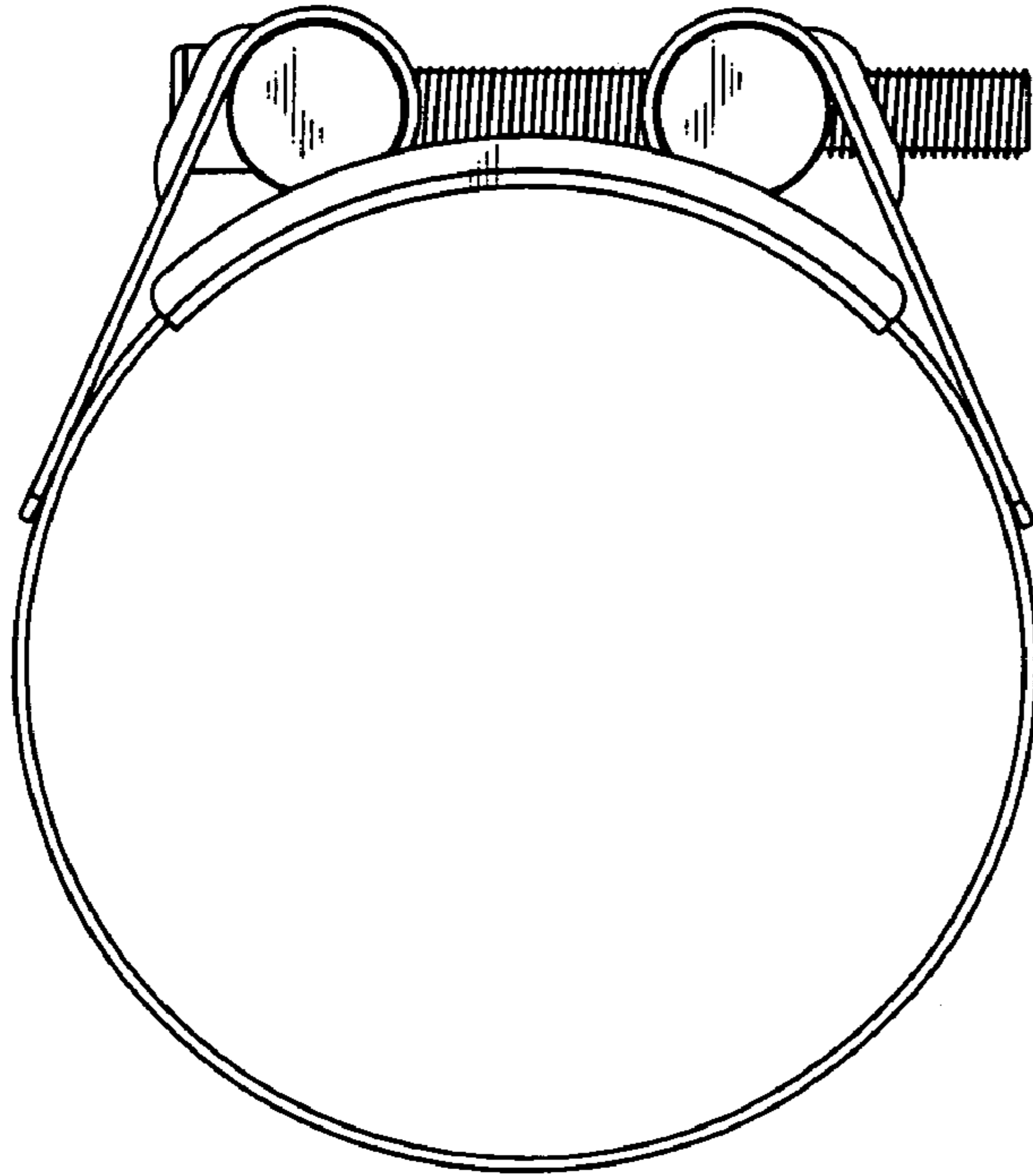


Figure 5

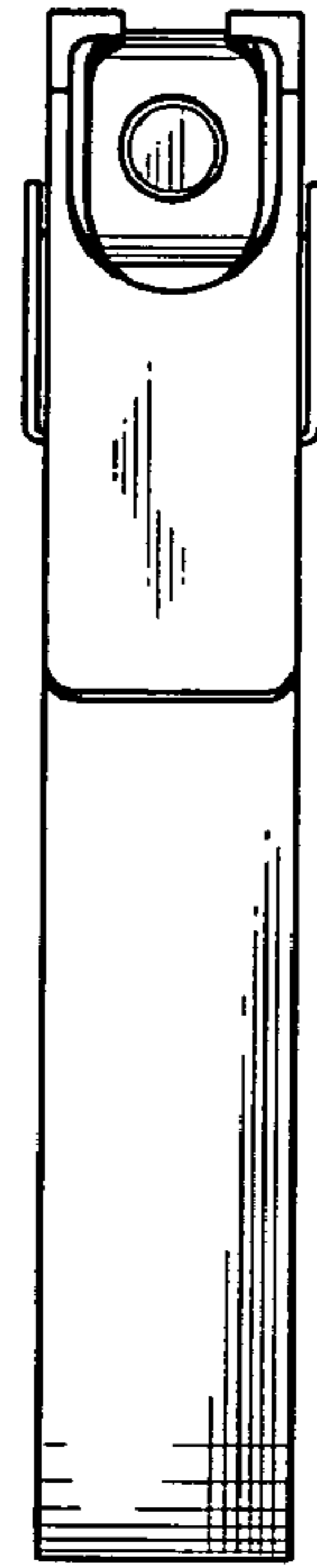


Figure 6

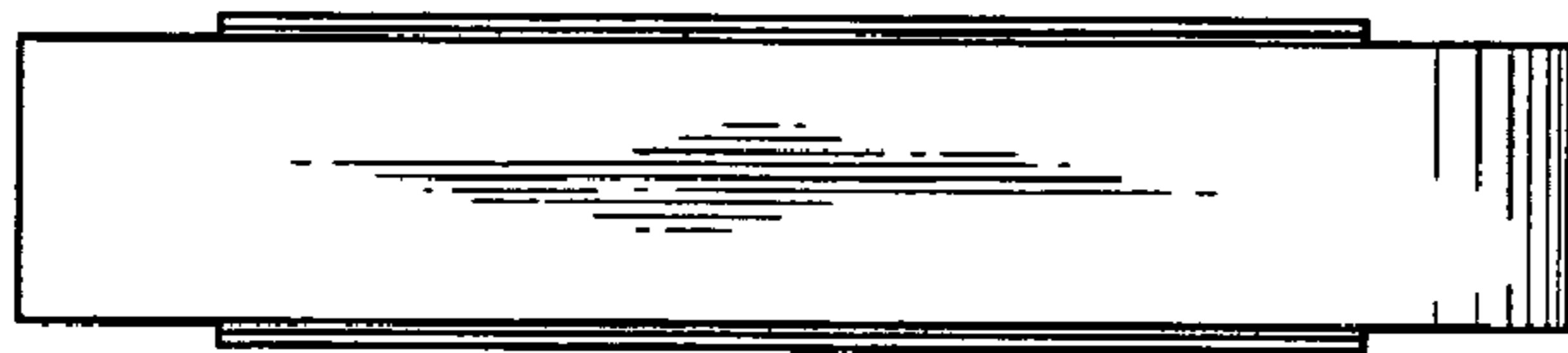


Figure 7