



US00D546660S

(12) **United States Design Patent**
Burdett et al.

(10) **Patent No.:** **US D546,660 S**
(45) **Date of Patent:** **** Jul. 17, 2007**

(54) **LOCK FOR A DISC STORAGE HUB**
(75) Inventors: **Ronald K. Burdett**, Strasburg, OH
(US); **Kevin Kirtz**, Massillon, OH
(US); **Jesse D. Wells**, Canton, OH (US)
(73) Assignee: **Nexpak Corporation**, Uniontown, OH
(US)

5,462,159 A 10/1995 Roth et al.
5,517,178 A 5/1996 Rodrigues
5,528,914 A 6/1996 Nguyen et al.
5,535,606 A 7/1996 Nguyen et al.
5,551,559 A 9/1996 Roth et al.
5,601,188 A 2/1997 Dressen et al.
5,782,350 A 7/1998 Weisburn et al.

(**) **Term:** **14 Years**

(Continued)

(21) **Appl. No.:** **29/238,613**

(22) **Filed:** **Sep. 19, 2005**

(51) **LOC (8) Cl.** **08-07**

(52) **U.S. Cl.** **D8/330**

(58) **Field of Classification Search** D8/330-348;
D6/407-408, 626-635; D3/201; D14/124;
D19/26, 27; 40/340, 360, 626, 771, 775,
40/307; 206/309-313, 308.1, 308.2, 1.5
See application file for complete search history.

FOREIGN PATENT DOCUMENTS

DE 29722209 U1 2/1998
FR 6608564 6/1988
FR 2785439 5/2000
NL 1003965 3/1996
WO WO 2004/074611 A1 9/2004
WO WO 2004/093082 A1 10/2004
WO WO 2005/059919 A1 6/2005

Primary Examiner—Mitchell Siegel
(74) *Attorney, Agent, or Firm*—Zollinger & Burleson Ltd.

(56) **References Cited**

U.S. PATENT DOCUMENTS

3,862,555 A 1/1975 Wirth
3,927,765 A 12/1975 Beal
4,425,999 A 1/1984 MacDonald et al.
4,499,994 A 2/1985 Rentch
4,502,598 A 3/1985 Wartenbergh
4,516,678 A 5/1985 Fotiadis et al.
4,523,356 A 6/1985 Charlot, Jr.
4,635,797 A 1/1987 Bankier
4,658,955 A 4/1987 Eichner
4,670,950 A 6/1987 Wisecup et al.
4,682,690 A 7/1987 Tiffany
4,700,839 A 10/1987 Fujii
4,709,813 A 12/1987 Wildt
4,750,618 A 6/1988 Schubert
4,805,769 A 2/1989 Soltis et al.
4,819,797 A 4/1989 Holmgren
4,834,238 A 5/1989 Hehn et al.
5,085,318 A 2/1992 Leverick
5,363,962 A 11/1994 Toral et al.
5,385,231 A 1/1995 Nowotny
5,426,419 A 6/1995 Nguyen et al.

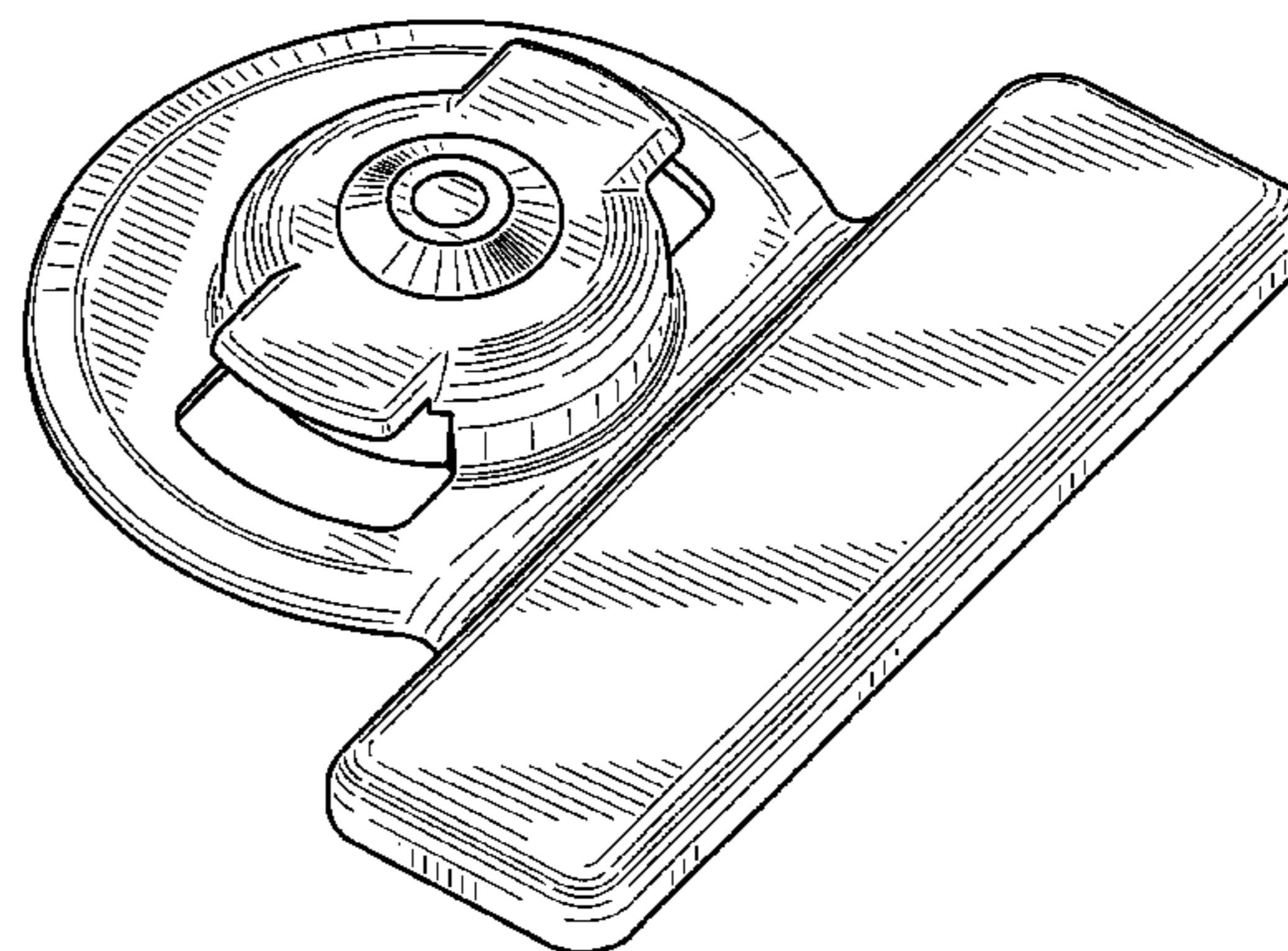
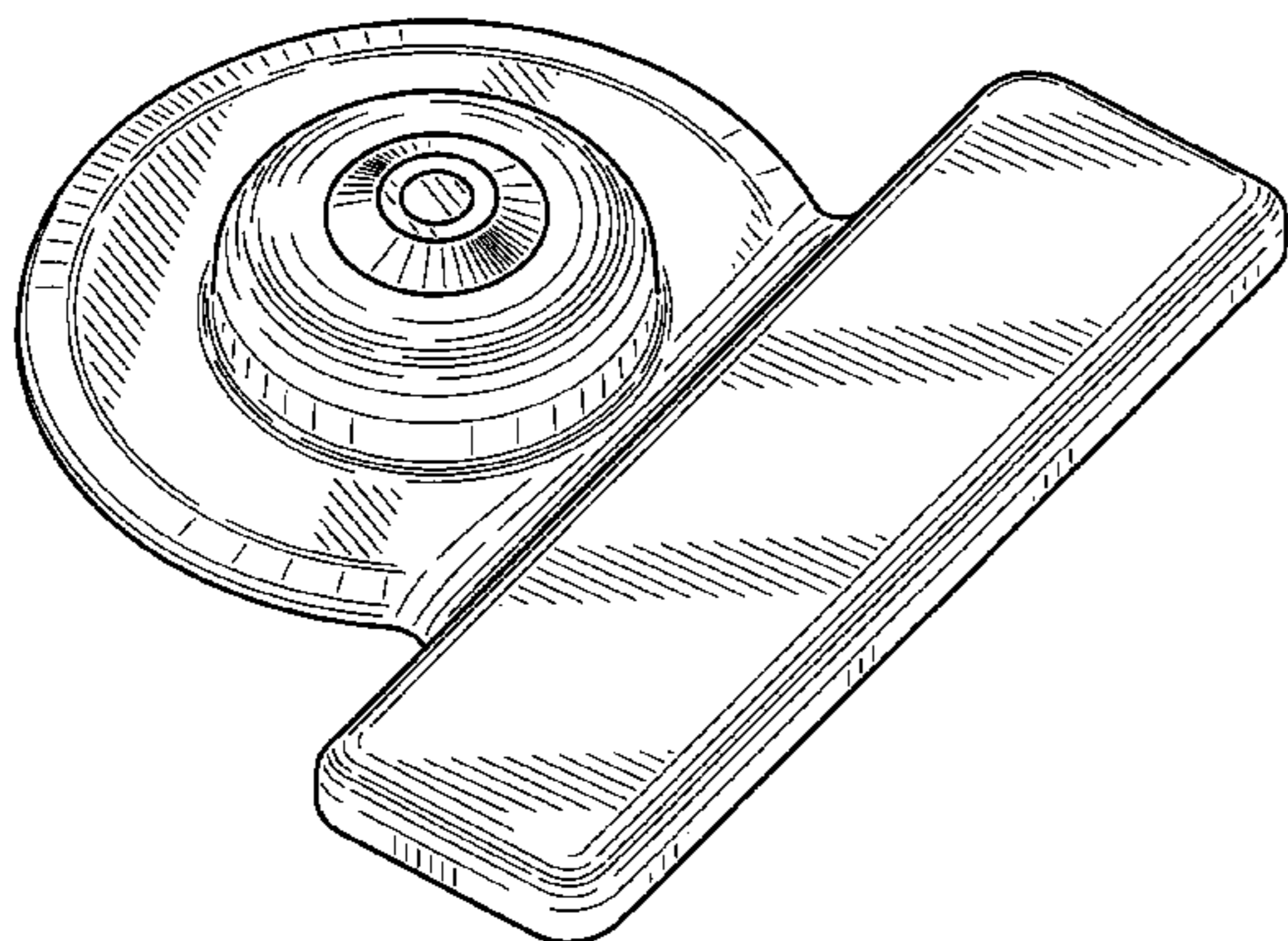
(57) **CLAIM**

The ornamental design for a lock for a disc storage hub, as shown and described.

DESCRIPTION

FIG. 1 is a perspective view of a first embodiment of the lock for a disc storage hub showing our new design;
FIG. 2 is a top plan view of FIG. 1;
FIG. 3 is a bottom plan view of FIG. 1;
FIG. 4 is a left side elevation view of FIG. 1; the right side elevation being a mirror image thereof;
FIG. 5 is a front elevation view of FIG. 1;
FIG. 6 is a rear elevation view of FIG. 1;
FIG. 7 is a perspective view of a second embodiment of the lock for a disc storage hub showing our new design;
FIG. 8 is a top plan view of FIG. 7;
FIG. 9 is a bottom plan view of FIG. 7;
FIG. 10 is a left side elevation view of FIG. 7; the right side elevation being a mirror image thereof;
FIG. 11 is a front elevation view of FIG. 7; and,
FIG. 12 is a rear elevation view of FIG. 7.

1 Claim, 6 Drawing Sheets



US D546,660 S

Page 2

U.S. PATENT DOCUMENTS			
5,894,924 A	4/1999	Koch	
5,896,985 A	4/1999	Nakasuji	
5,904,246 A	5/1999	Weisburn et al.	
5,934,114 A	8/1999	Weisburn et al.	
6,016,909 A	1/2000	Chang	
6,065,593 A	5/2000	Howerton et al.	
6,092,401 A	7/2000	Sankey et al.	
6,102,200 A	8/2000	Dressen et al.	
D430,424 S	* 9/2000	Belden et al.	D6/407
			* cited by examiner
		6,112,894 A	9/2000 Kikuchi et al.
		D436,435 S	* 1/2001 Weinstock D3/215
		6,283,280 B1	9/2001 Wong et al.
		6,373,390 B1	4/2002 Hogan et al.
		6,382,413 B1	5/2002 Nakamura et al.
		6,435,343 B1	8/2002 Wu et al.
		6,896,133 B2	5/2005 Spagna
		2002/0096442 A1	7/2002 Myszka et al.
		2002/0189961 A1	12/2002 Myszka et al.

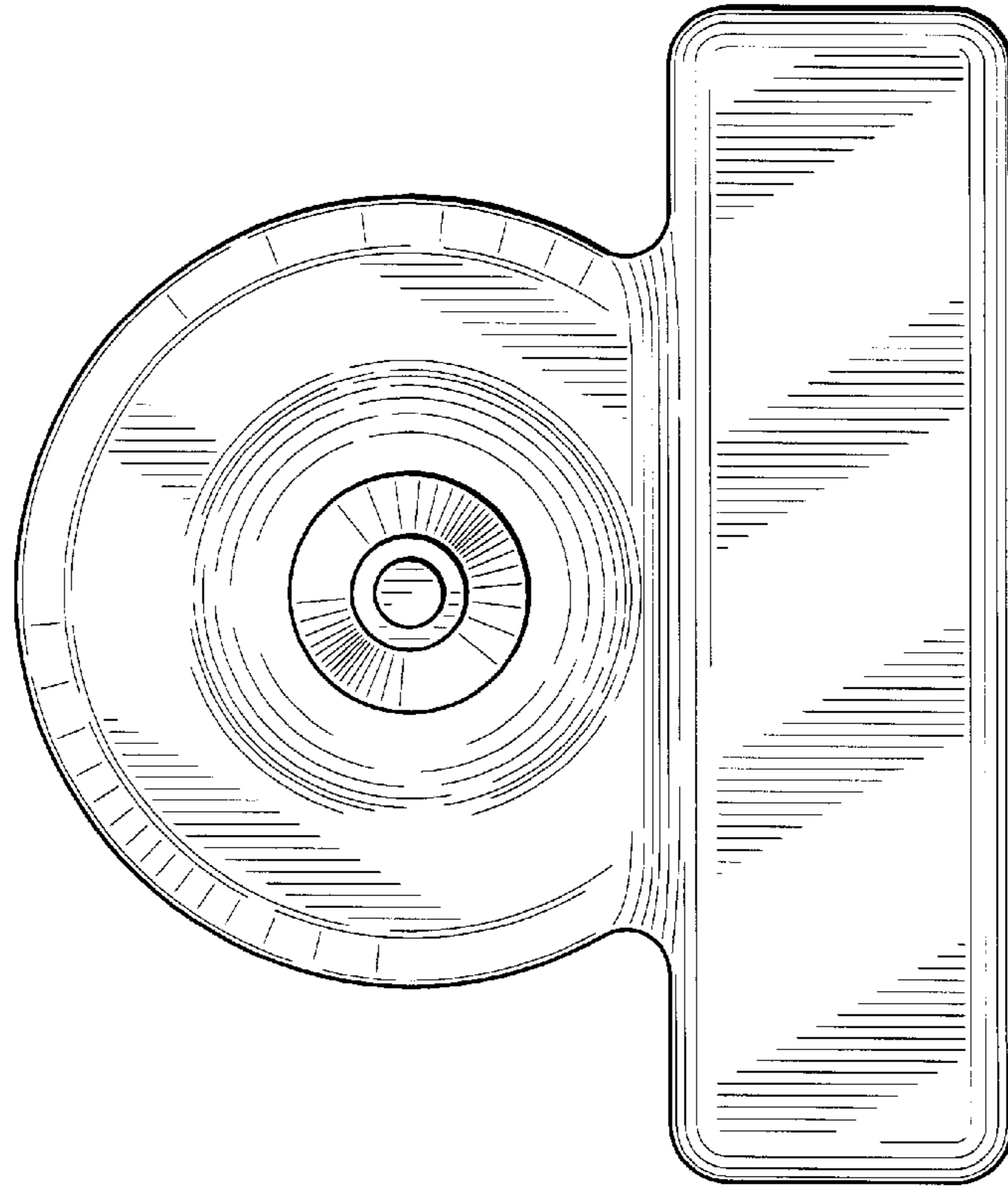


FIG. 2

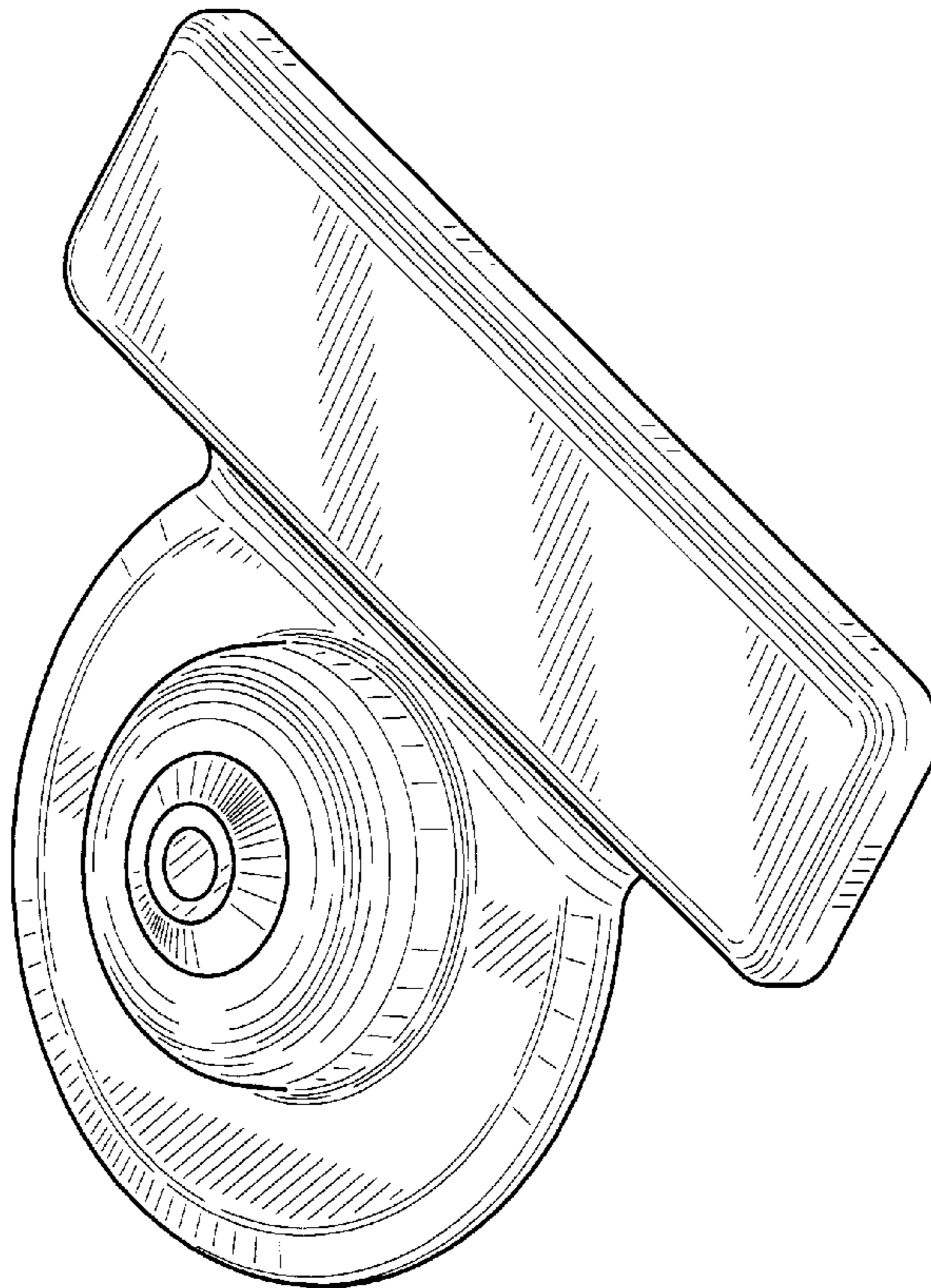


FIG. 1

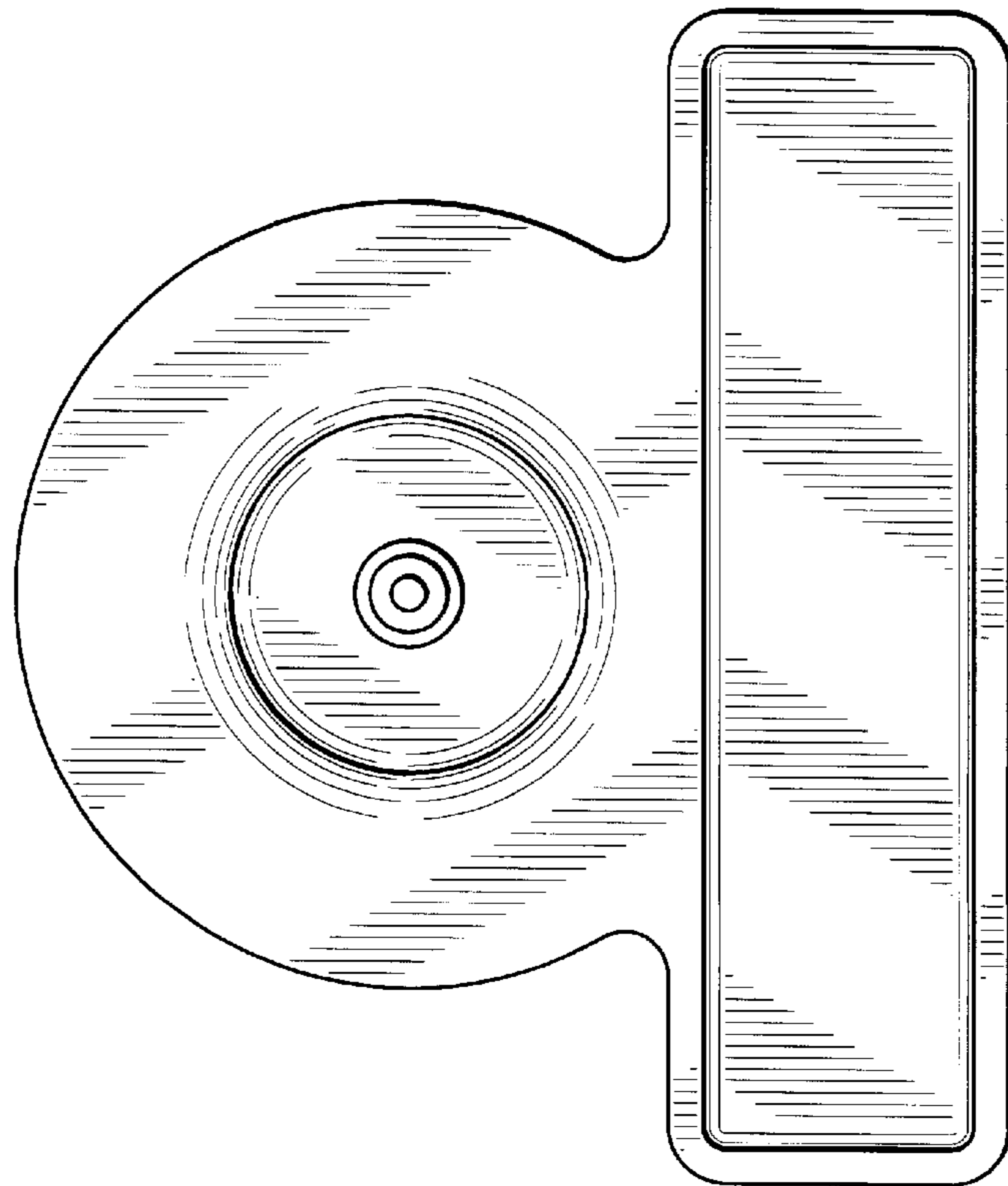


FIG. 3

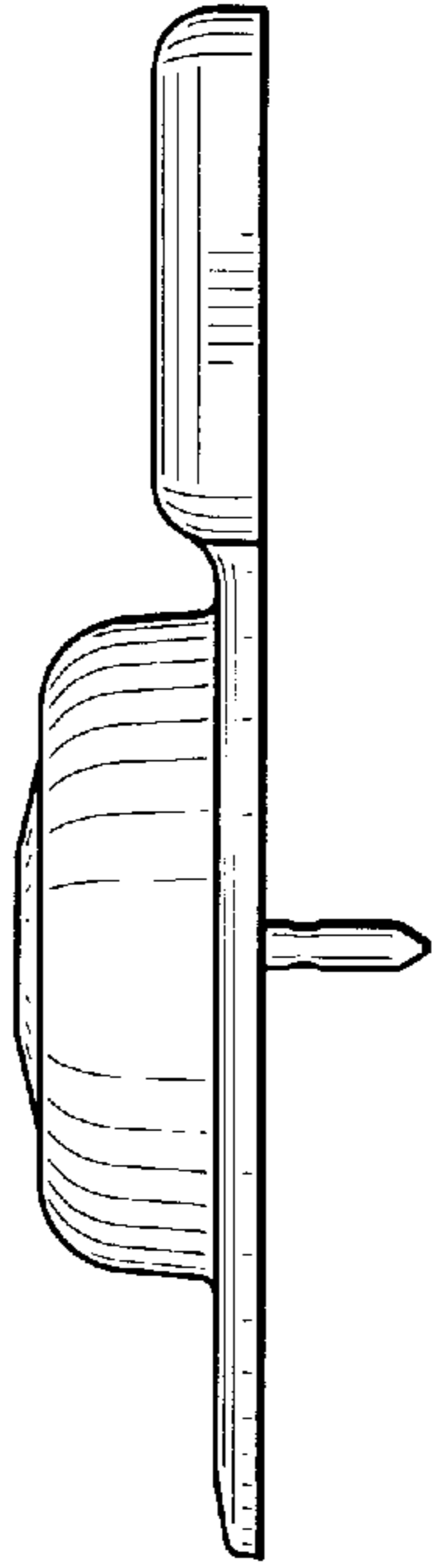


FIG. 4

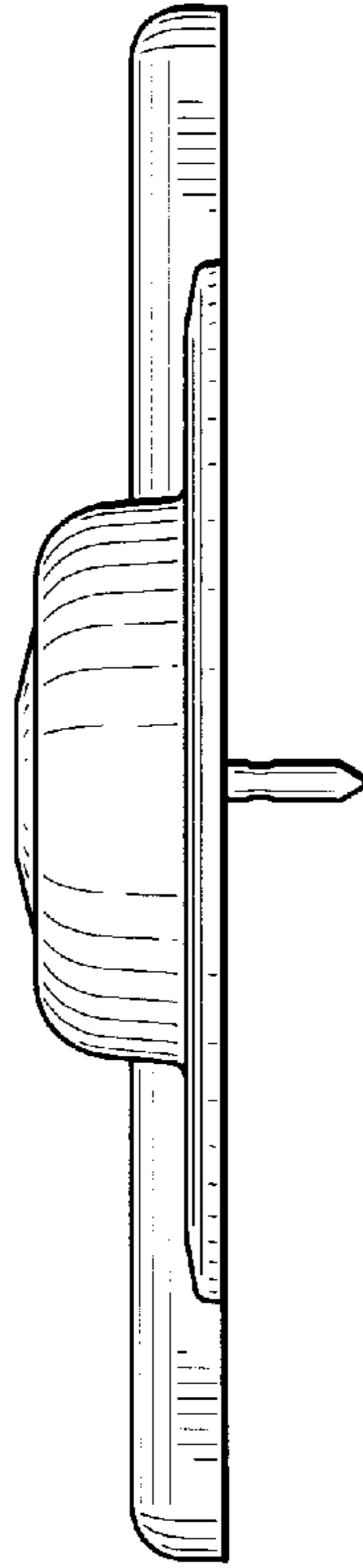


FIG. 6

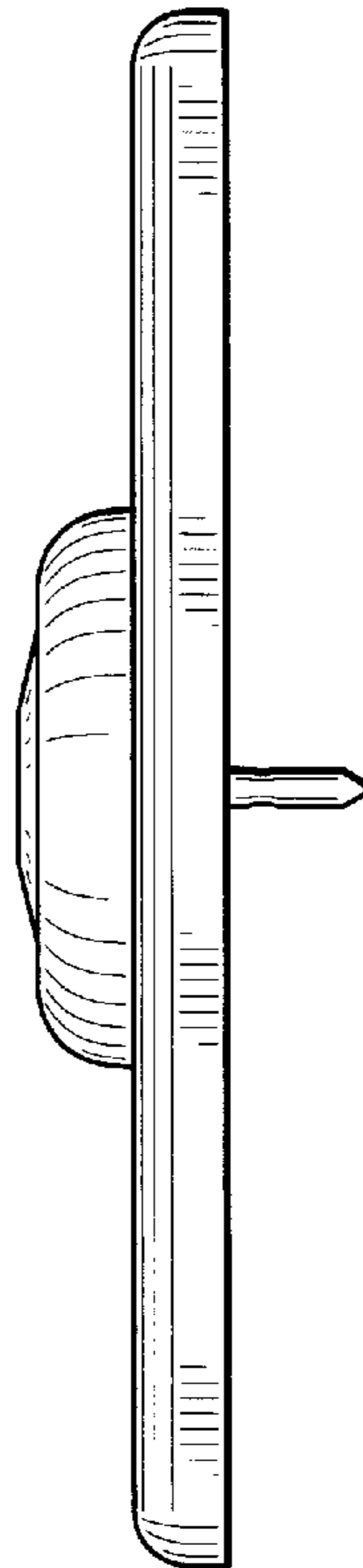


FIG. 5

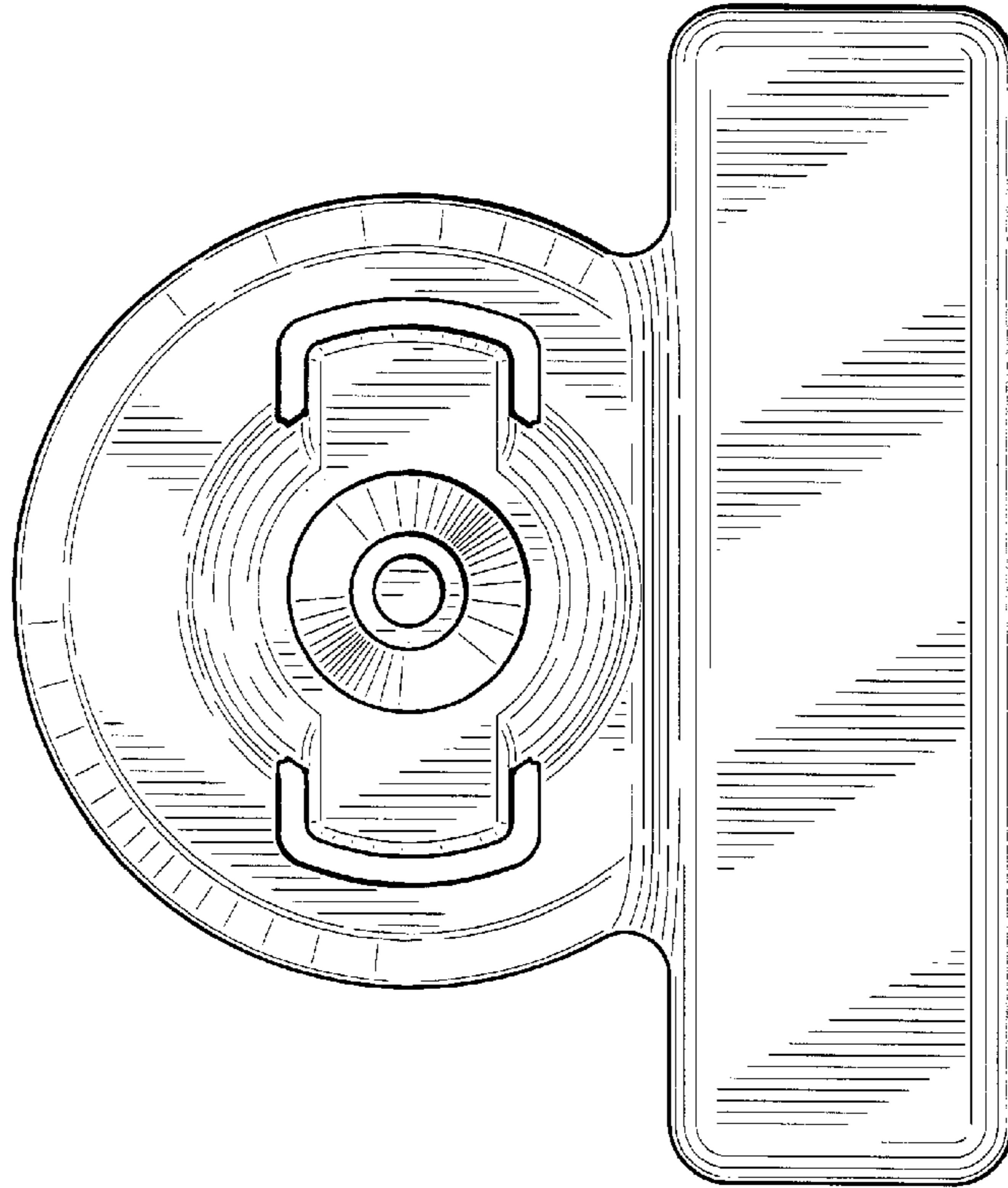


FIG. 8

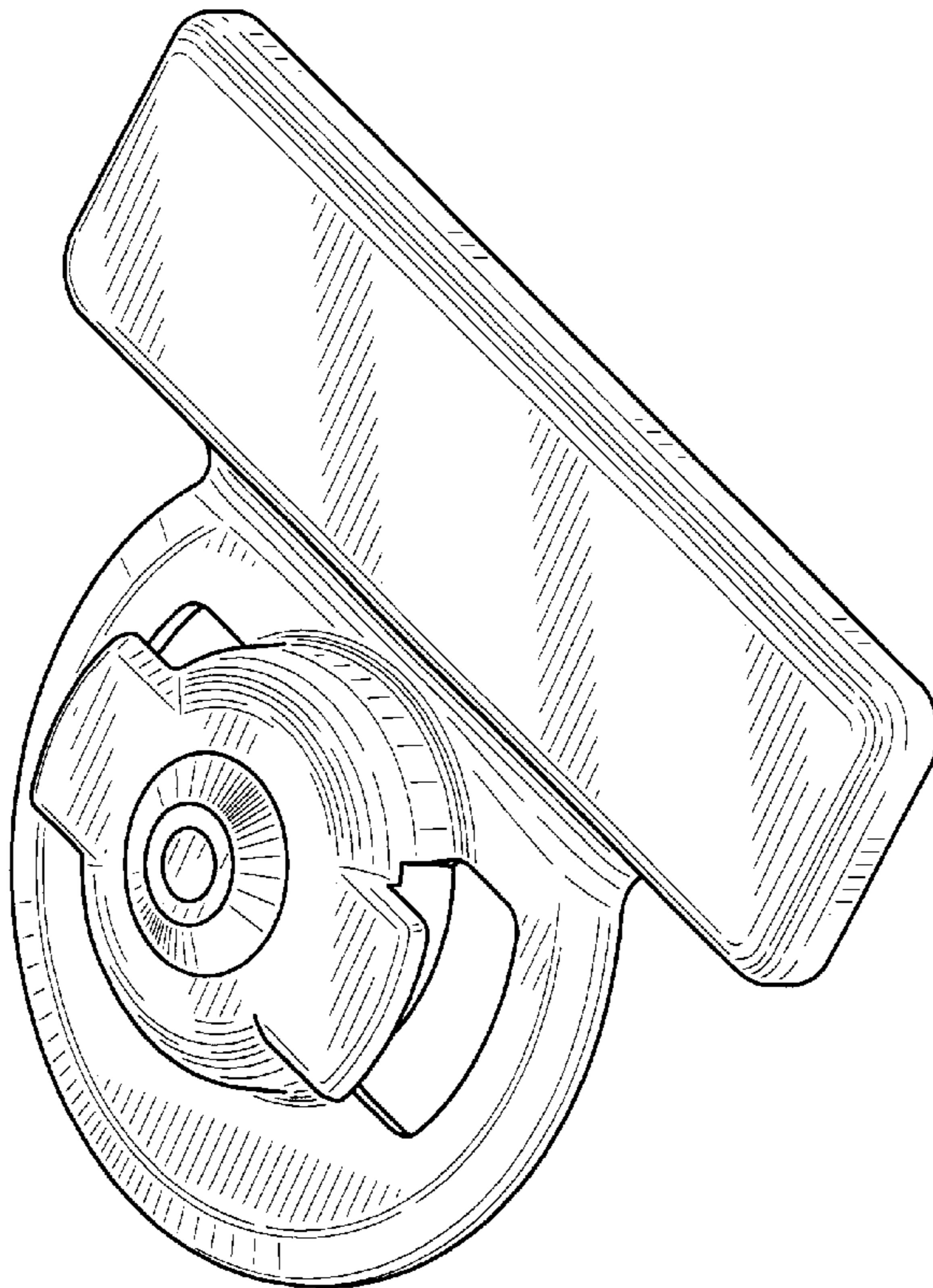


FIG. 7

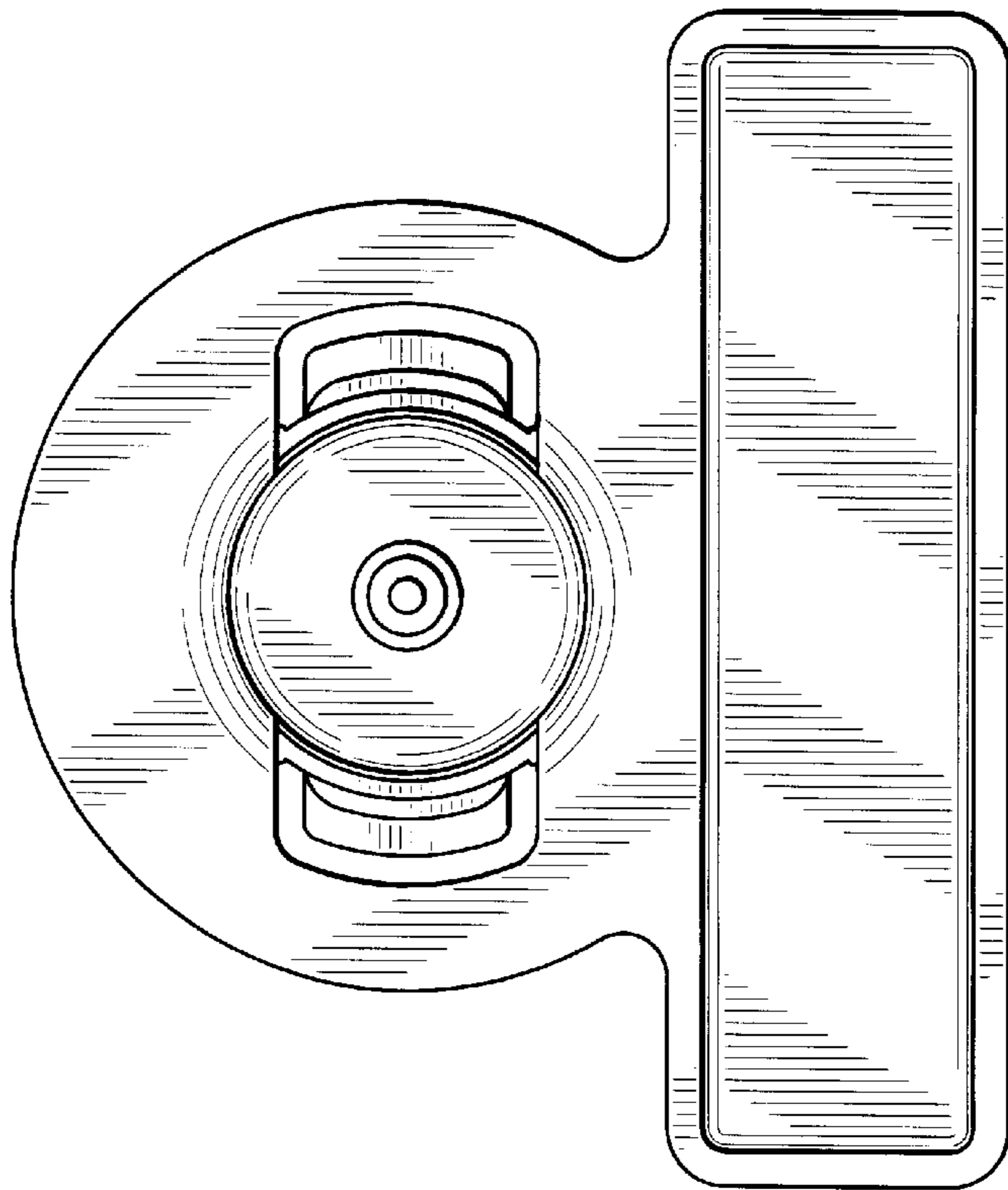


FIG. 9

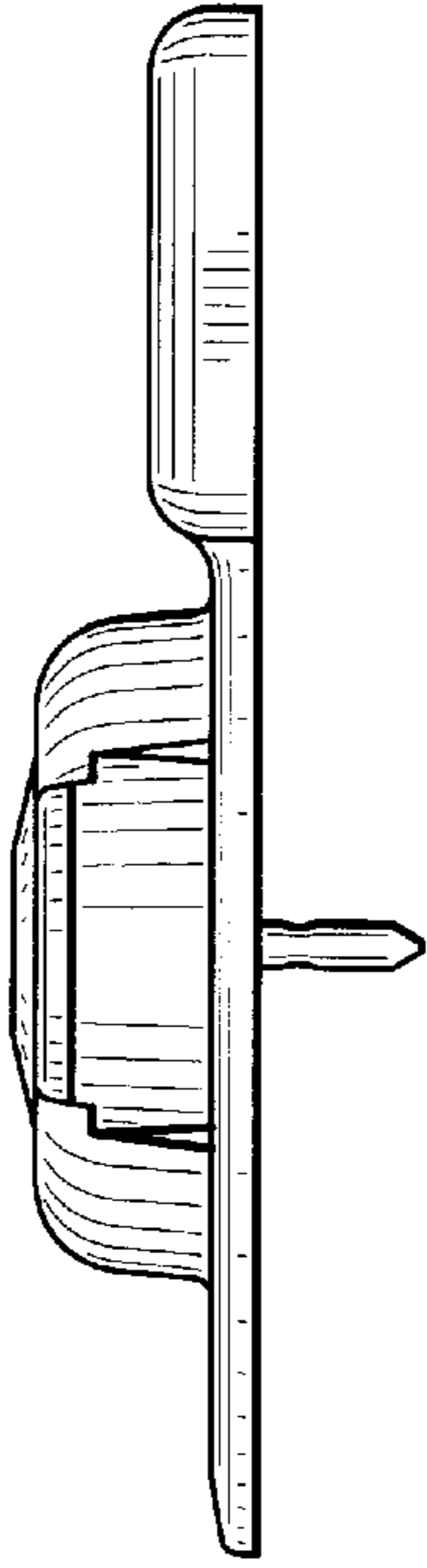


FIG. 10

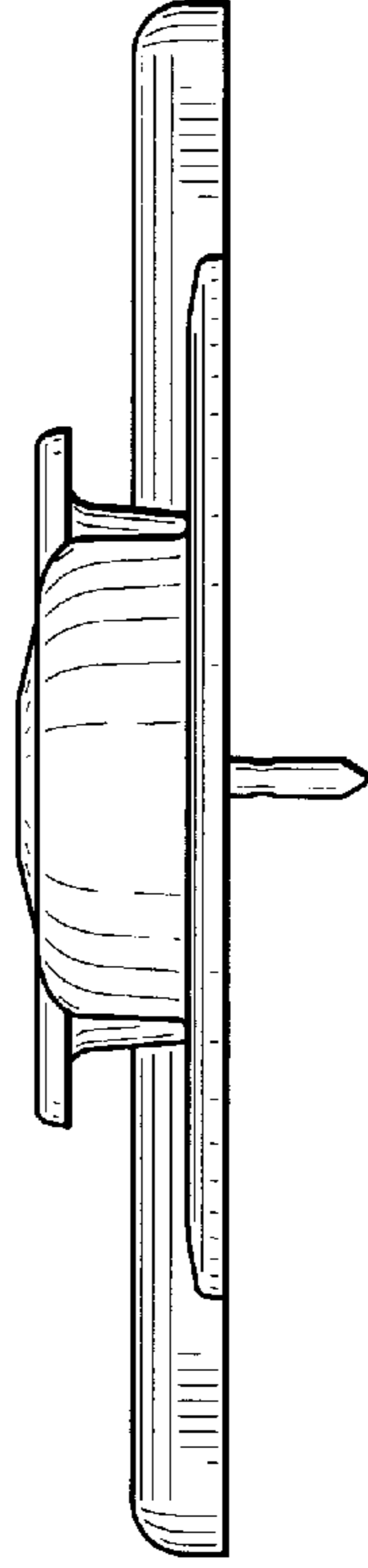


FIG. 12

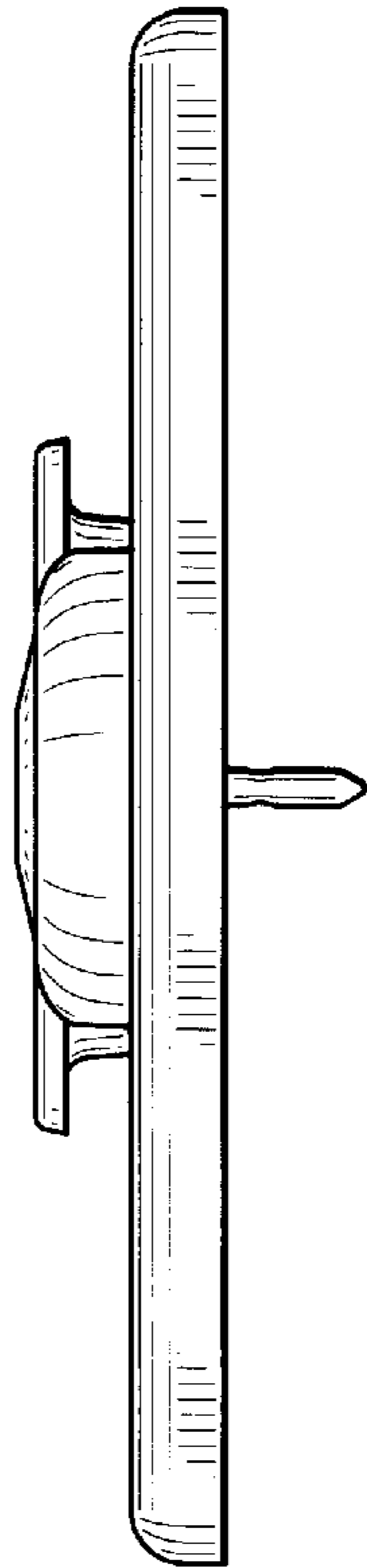


FIG. 11