



US00D546659S

(12) **United States Design Patent**  
**Smith**

(10) **Patent No.:** **US D546,659 S**

(45) **Date of Patent:** **\*\* Jul. 17, 2007**

(54) **TOOL GRIP**

D322,022 S \* 12/1991 Cunningham et al. .... D8/303  
D453,292 S \* 2/2002 Tsuzuki ..... D8/300  
6,561,058 B1 \* 5/2003 Steinke ..... 74/551.9

(76) Inventor: **John I. Smith**, 13003 Eby La.,  
Overland Park, KS (US) 66213

(\*\*) Term: **14 Years**

\* cited by examiner

*Primary Examiner*—Paula A. Greene

(21) Appl. No.: **29/237,880**

(57) **CLAIM**

(22) Filed: **Sep. 8, 2005**

The ornamental design for a tool grip, as shown and described.

(51) **LOC (8) Cl.** ..... **08-06**

(52) **U.S. Cl.** ..... **D8/313; D8/321**

(58) **Field of Classification Search** ..... D8/83,  
D8/93, 107, 313, 319, 300, 303, DIG. 4,  
D8/DIG. 7, 321, DIG. 8; D12/112, 114;  
16/421, 422, 430, 436, DIG. 12, DIG. 18;  
81/177.1; 219/204, 505, 522

**DESCRIPTION**

See application file for complete search history.

FIG. 1 is a perspective view of a tool grip, showing the new design;

FIG. 2 is a left side view of the tool grip of FIG. 1;

FIG. 3 is a front view of the tool grip of FIG. 1;

FIG. 4 is a back view of the tool grip of FIG. 1;

FIG. 5 is a right side view of the tool grip of FIG. 1; and,

FIG. 6 is a top view of the tool grip of FIG. 1 the bottom view being a mirror image thereof.

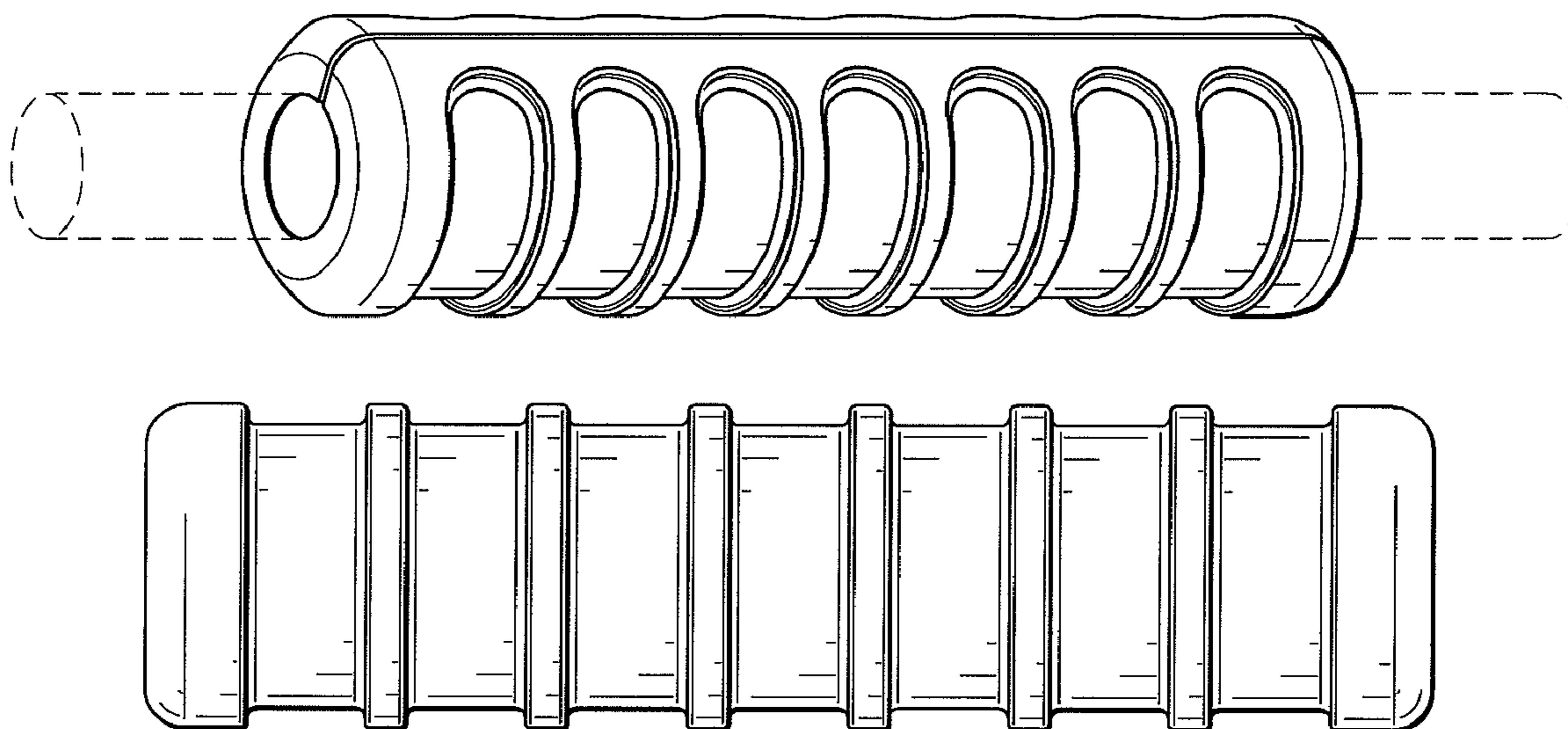
The broken line showing of “tool grip” is included for the purpose of illustrating portions of the article and forms no part of the claimed design.

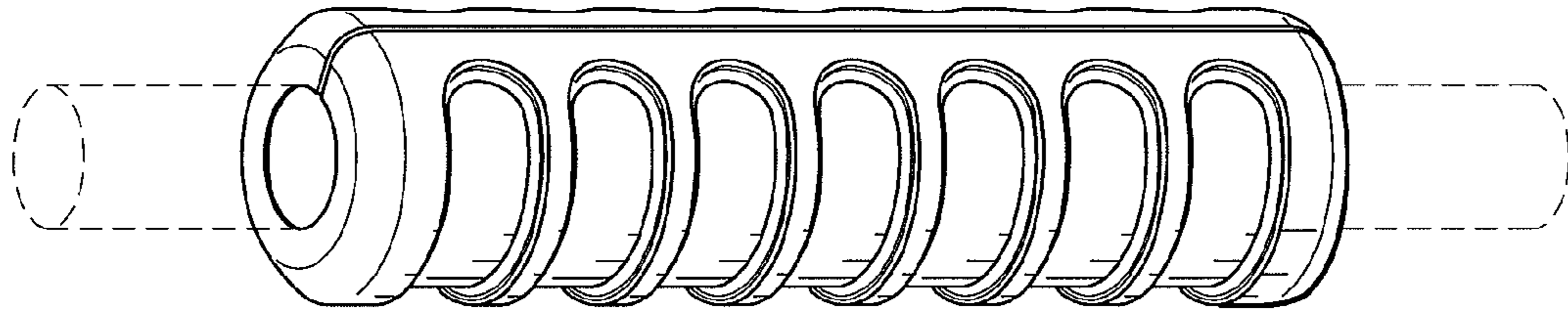
(56) **References Cited**

**U.S. PATENT DOCUMENTS**

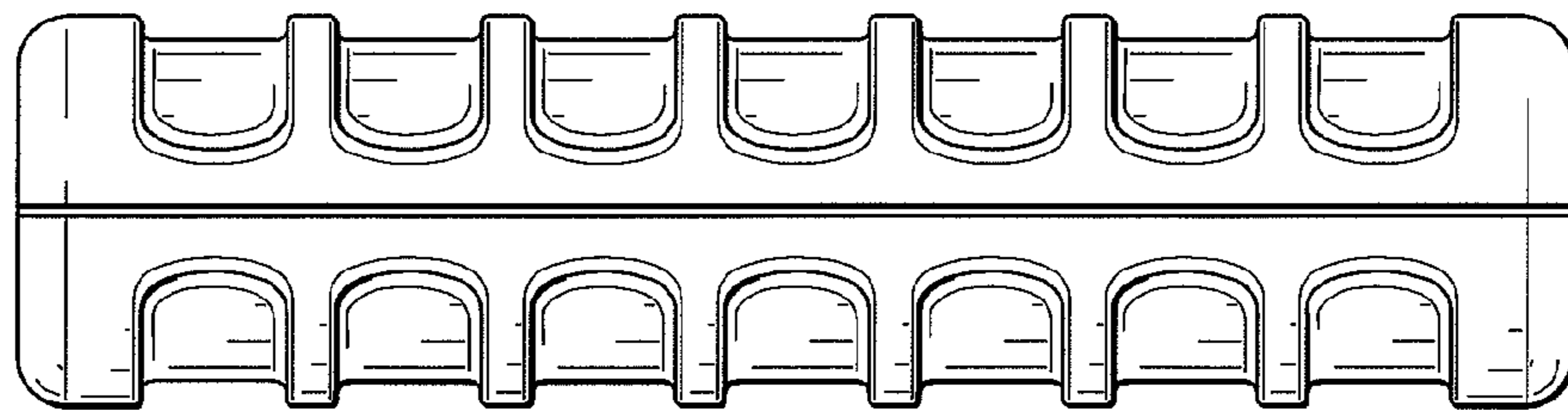
D28,992 S \* 7/1898 Eldon ..... D8/303  
D123,490 S \* 11/1940 Saffell ..... D8/93  
3,438,413 A \* 4/1969 Borah ..... 81/177.1  
4,091,497 A \* 5/1978 Bade ..... 16/430  
4,617,697 A \* 10/1986 David ..... 16/421  
D307,703 S \* 5/1990 Tomasula ..... D8/107  
4,990,753 A \* 2/1991 Hollander ..... 219/505

**1 Claim, 2 Drawing Sheets**

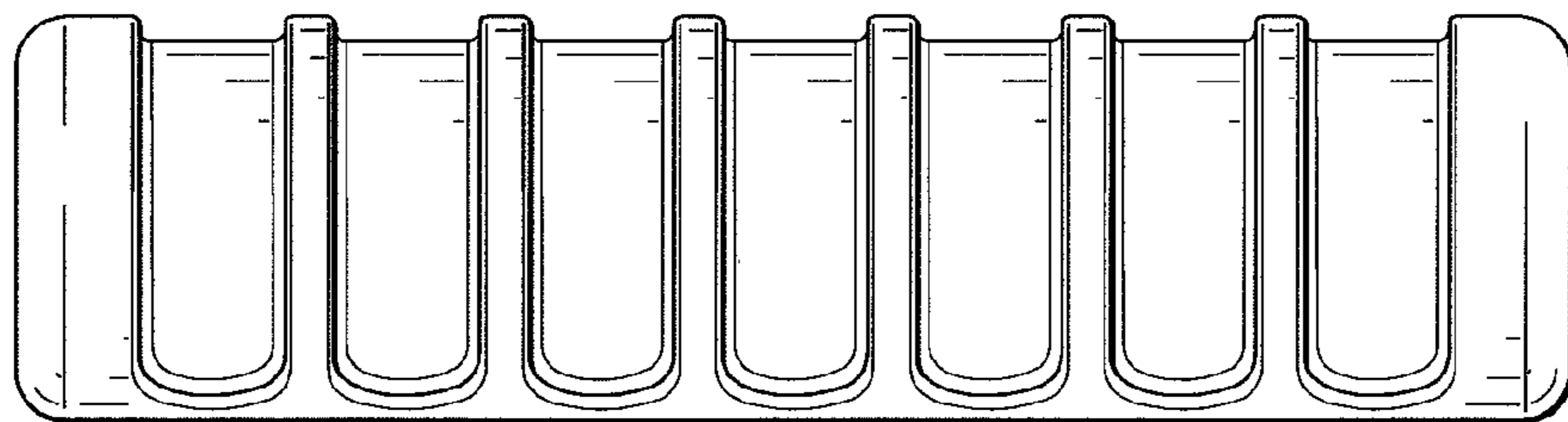




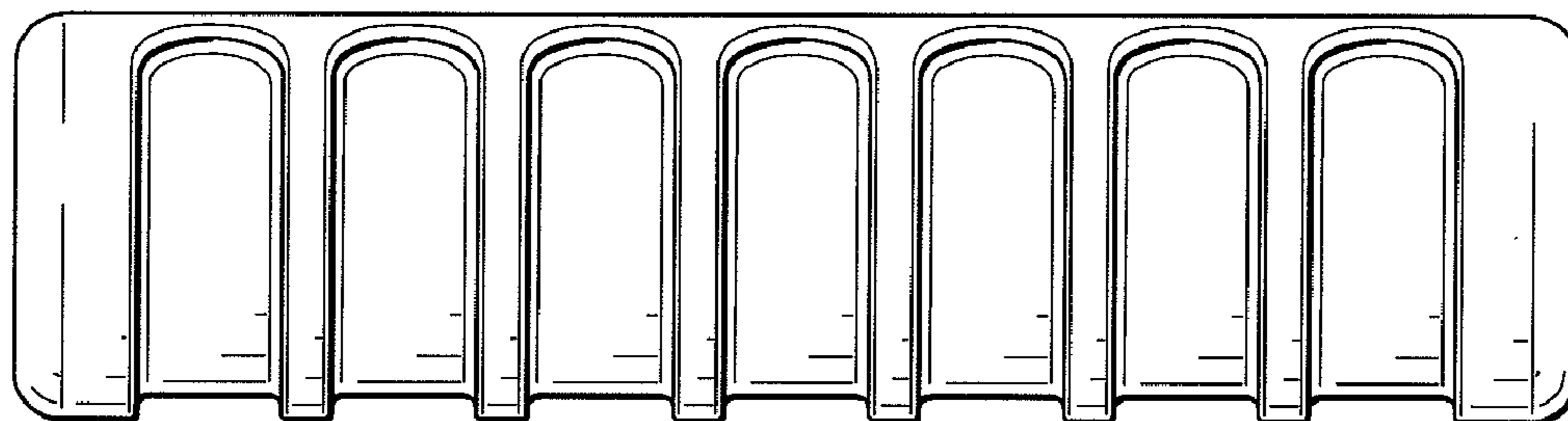
*FIG. 1*



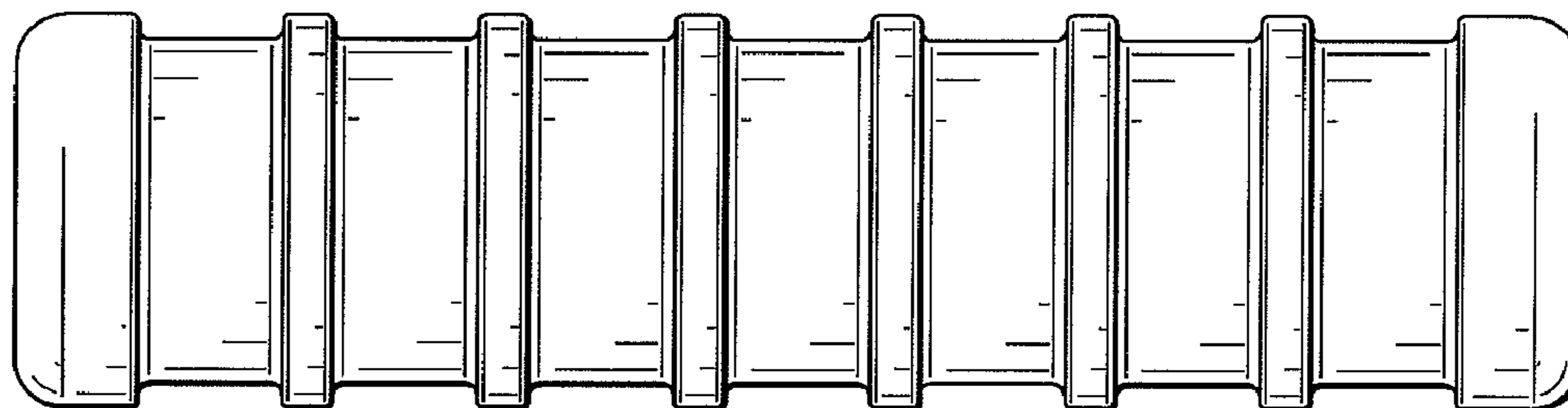
*FIG. 2*



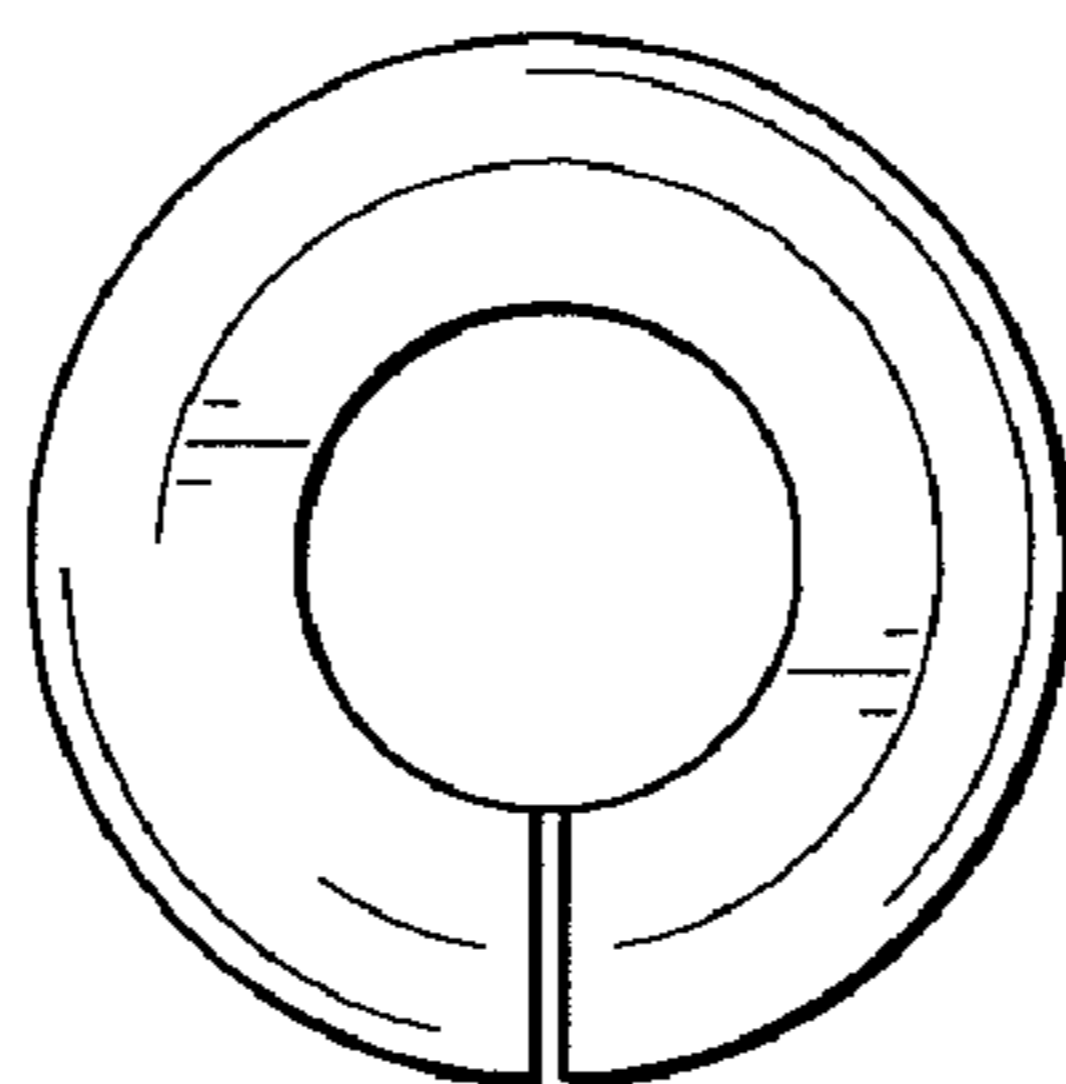
*FIG. 3*



*FIG. 4*



*FIG. 5*



*FIG. 6*