

US00D546658S

(12) **United States Design Patent**
Singtoroj

(10) **Patent No.:** **US D546,658 S**

(45) **Date of Patent:** **** Jul. 17, 2007**

(54) **DOOR KNOB**

(75) Inventor: **Yos Singtoroj**, Anaheim, CA (US)

(73) Assignee: **Newfrey LLC**, Newark, DE (US)

(**) Term: **14 Years**

(21) Appl. No.: **29/247,163**

(22) Filed: **Jun. 2, 2006**

(51) **LOC (8) Cl.** **08-06**

(52) **U.S. Cl.** **D8/301**

(58) **Field of Classification Search** D8/300,
D8/301, 302, 307, 310, 352, DIG. 2, DIG. 3;
D23/250, 251, 254; 4/234, 246.1, 691; 16/110.1,
16/412, 414, 402, 441, 442; 292/347, 350,
292/357, 336.3; 70/224; 72/58
See application file for complete search history.

(56) **References Cited**

U.S. PATENT DOCUMENTS

337,093	A *	3/1886	Thistle	292/347
1,161,521	A *	11/1915	Phillips	292/350
2,688,297	A *	9/1954	Livermont et al.	72/58
D173,850	S *	1/1955	Ohno	D8/310
D176,713	S *	1/1956	Ellis	D8/310
D179,220	S *	11/1956	Russell	D8/310
D238,241	S *	12/1975	Ziskin	D7/393
D327,407	S *	6/1992	Clayton	D8/310

5,749,612	A *	5/1998	Meck et al.	292/347
D453,897	S *	2/2002	LaPlume et al.	D8/301
D454,049	S *	3/2002	LaPlume et al.	D8/301
6,412,319	B1 *	7/2002	Adelmeyer et al.	70/224

* cited by examiner

Primary Examiner—Paula A. Greene

(74) *Attorney, Agent, or Firm*—Richard J. Veltman; John D. DelPonti

(57) **CLAIM**

The ornamental design for a door knob, as shown and described.

DESCRIPTION

FIG. 1 is a perspective view of a door knob showing my new design;

FIG. 2 is a front view thereof;

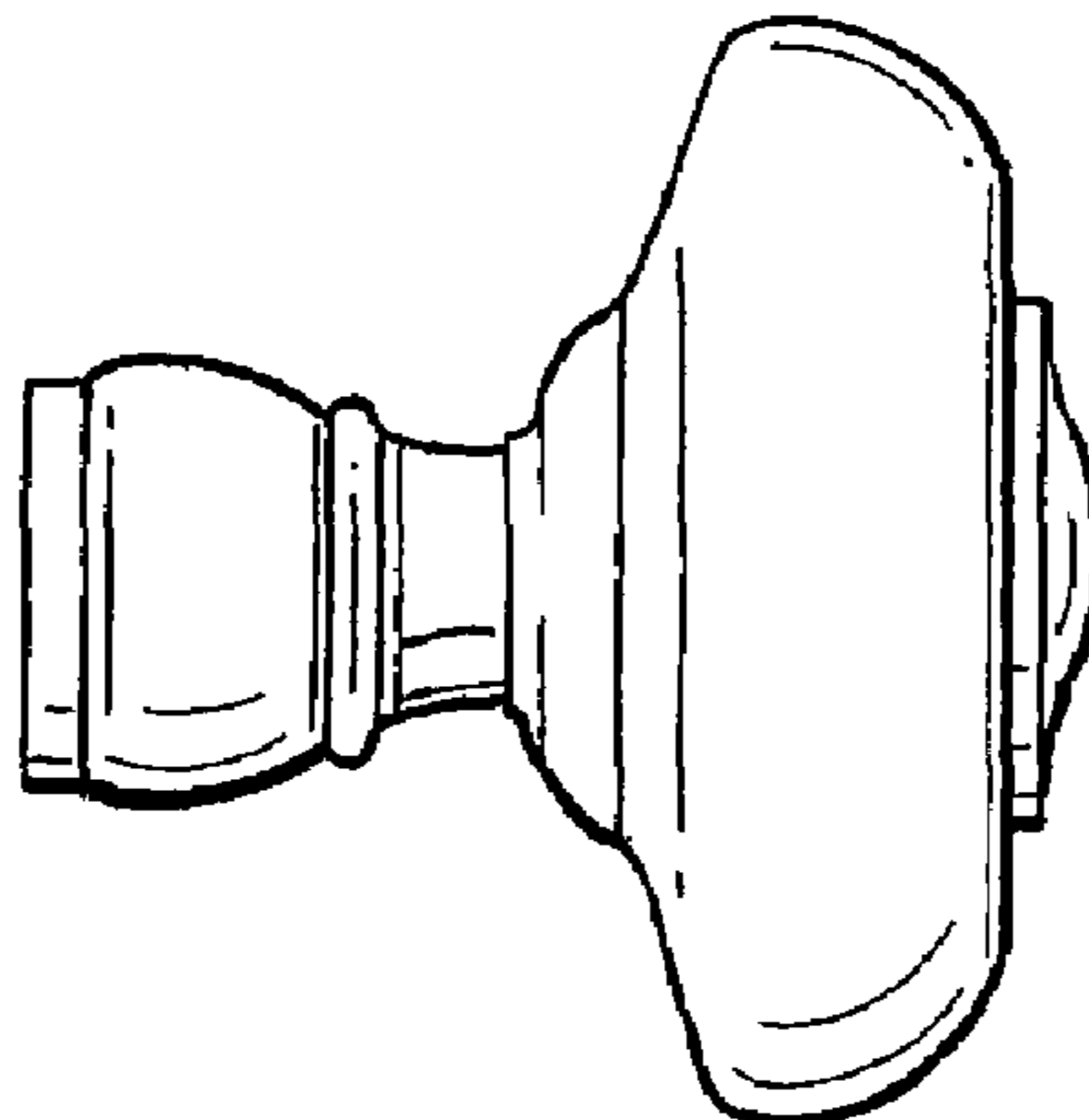
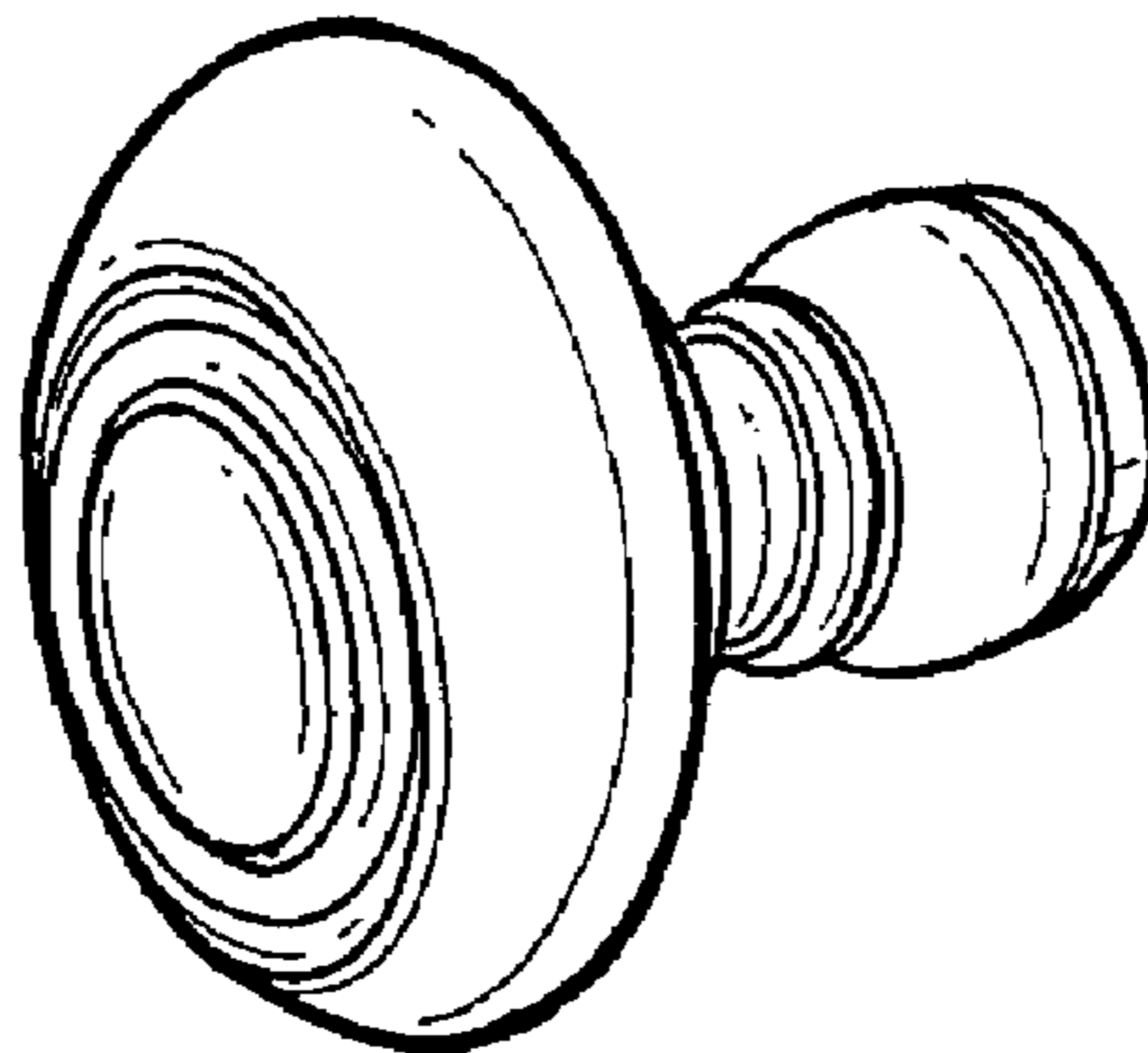
FIG. 3 is a back view thereof;

FIG. 4 is a top view thereof, the bottom view being a mirror image; and,

FIG. 5 is a right side view thereof, the left side view being a mirror image.

The broken lines in the Figures are for illustrative purposes only and form no part of the claimed design.

1 Claim, 1 Drawing Sheet



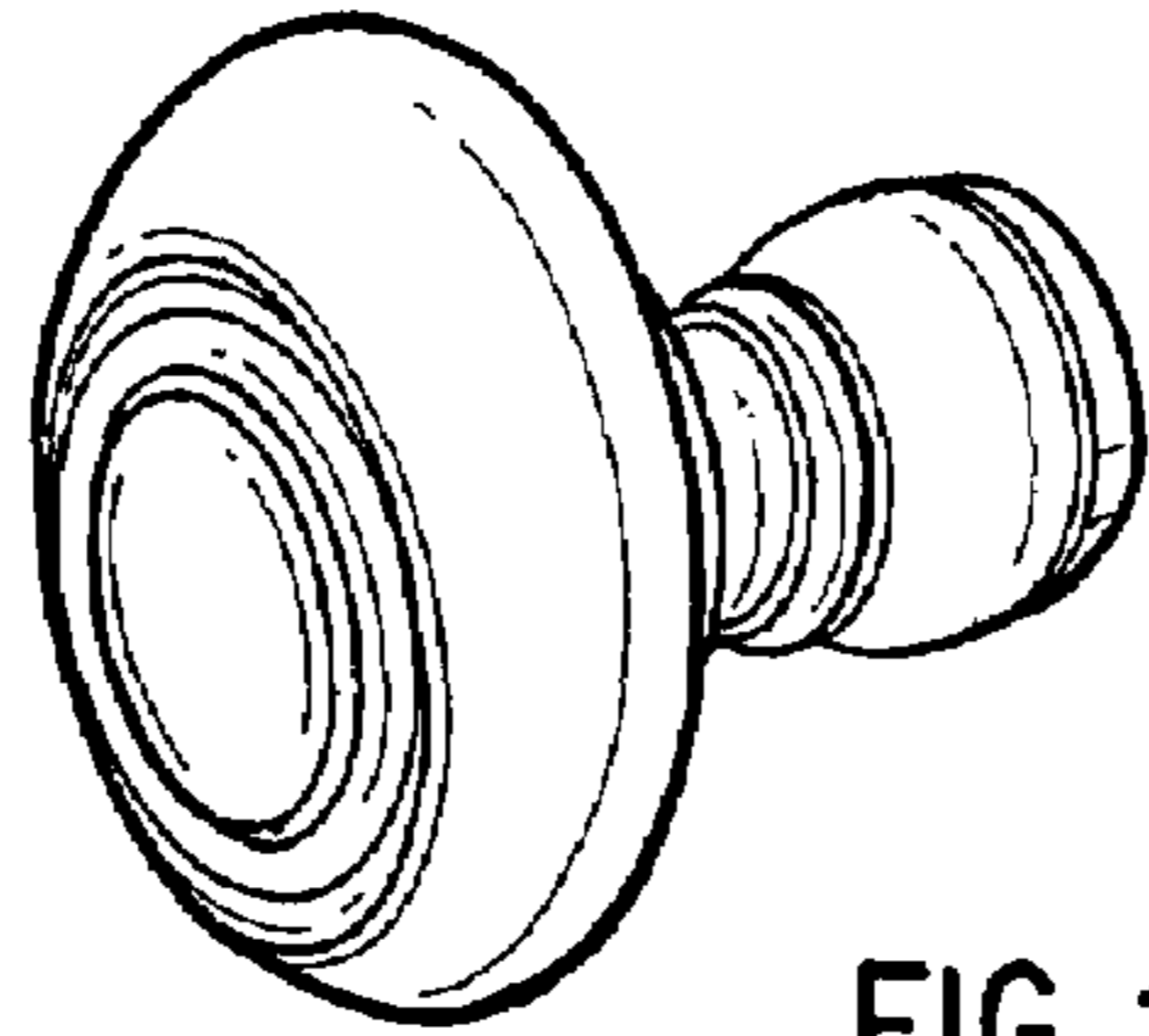


FIG. 1

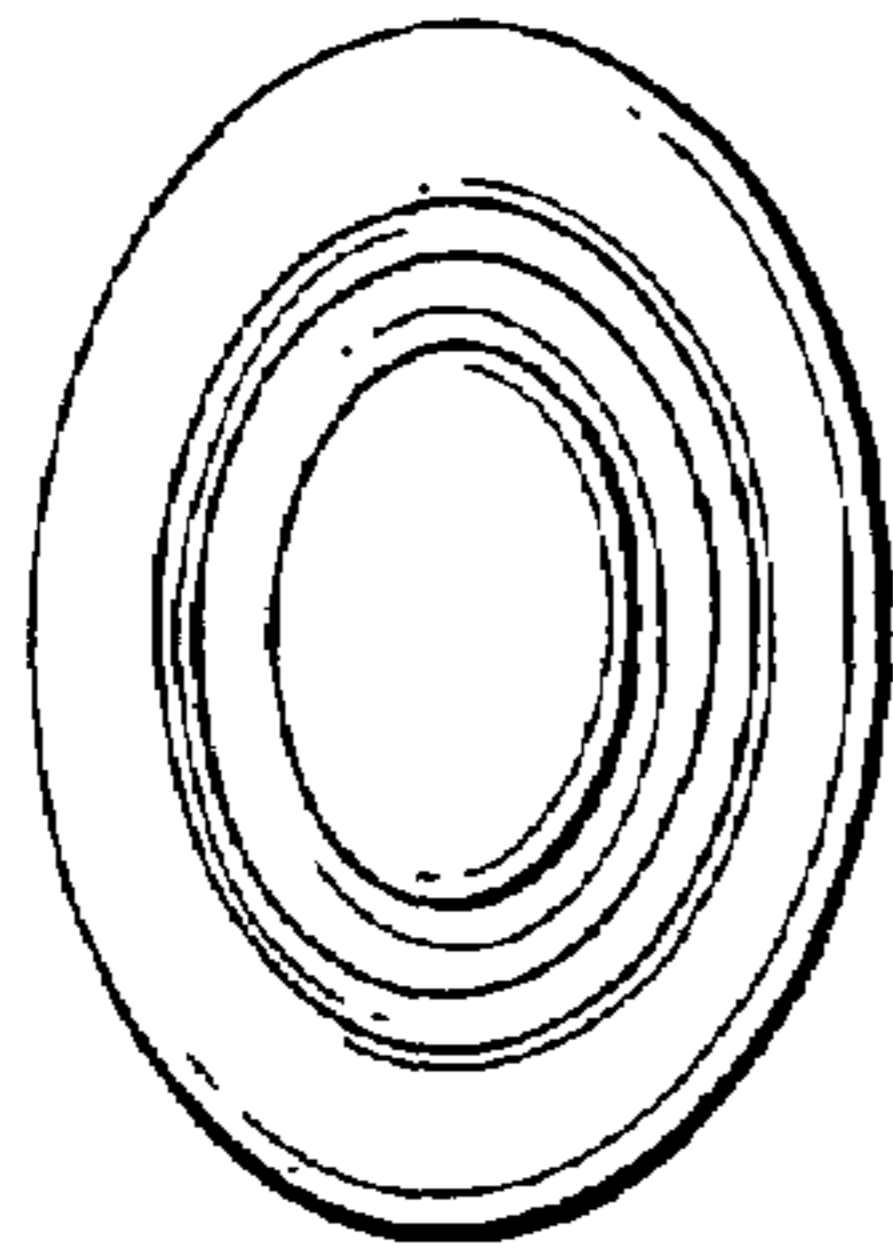


FIG. 2

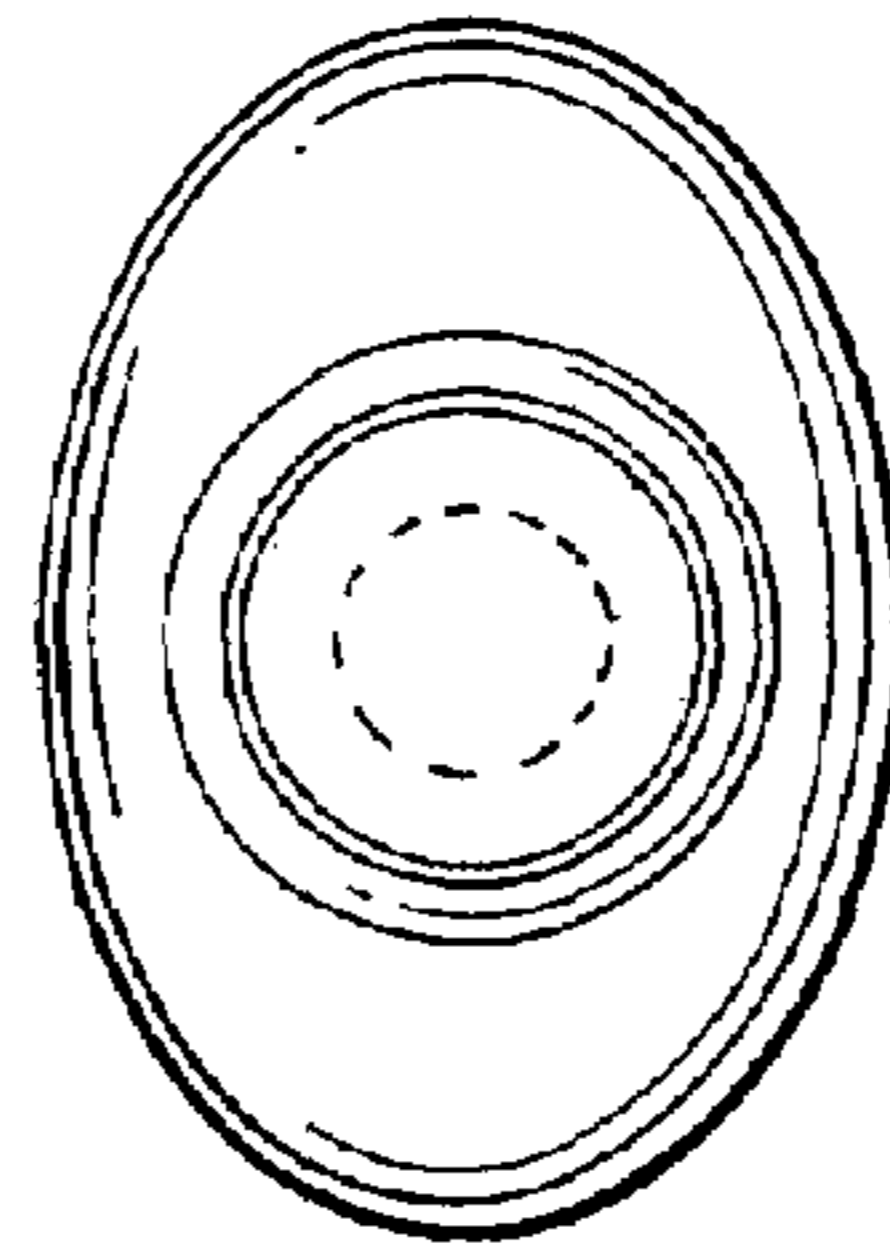


FIG. 3



FIG. 4

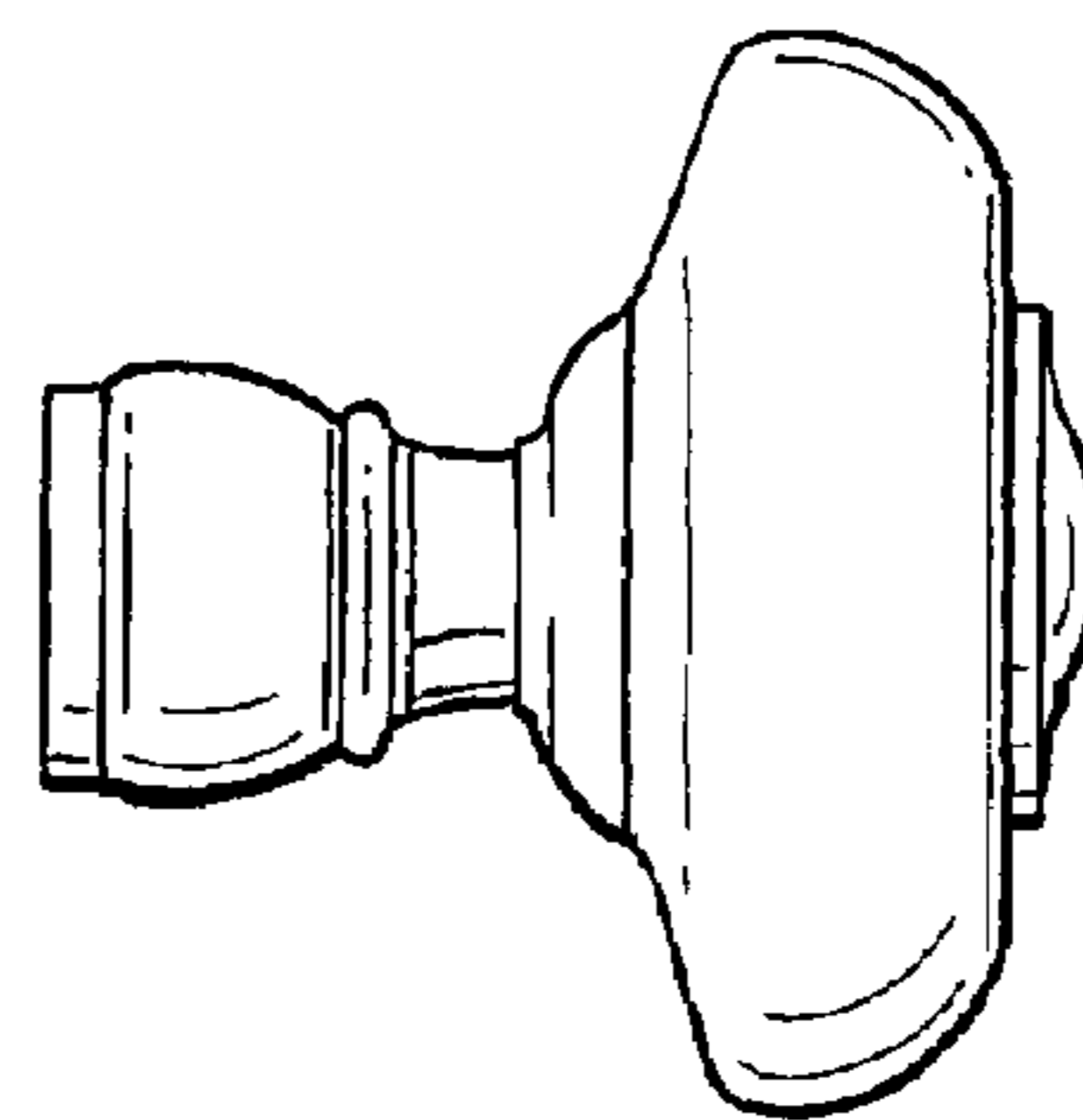


FIG. 5