

US00D546657S

(12) **United States Design Patent**
Buening

(10) **Patent No.:** **US D546,657 S**

(45) **Date of Patent:** **** Jul. 17, 2007**

(54) **BULLET SHAPED LETTER OPENER**

D435,886 S 1/2001 Benini
D438,541 S * 3/2001 Hervig et al. D14/403
D444,171 S 6/2001 McCullough
D447,208 S 8/2001 Benini

(76) Inventor: **Dennis J. Buening**, 46151 Bloomcrest Dr., Northville, MI (US) 48167

(**) Term: **14 Years**

(Continued)

(21) Appl. No.: **29/264,384**

Primary Examiner—Cathron C. Brooks

Assistant Examiner—Austin Murphy

(22) Filed: **Aug. 9, 2006**

(74) *Attorney, Agent, or Firm*—Miller, Canfield, Paddock and Stone; Robert K. Roth

Related U.S. Application Data

(62) Division of application No. 29/253,036, filed on Jan. 31, 2006, now Pat. No. Des. 533,044.

(57) **CLAIM**

The ornamental design for a bullet shaped letter opener, as shown and described.

(51) **LOC (8) Cl.** **08-03**

(52) **U.S. Cl.** **D8/103**

(58) **Field of Classification Search** D8/102–105,
D8/14, 48, 98; D7/649; D19/72, 43, 42,
D19/36; D24/145, 147; D3/208, 210; 254/28;
7/158, 160; 30/286, DIG. 30, 123, 329;
D22/116; D11/81; D14/403

DESCRIPTION

See application file for complete search history.

FIG. 1 is a perspective view of a bullet shaped letter opener shown in a casing.

FIG. 2 is a perspective view of the bullet shaped letter opener of FIG. 1 shown removed from the casing with the letter opener portion shown in phantom for completeness of illustration.

(56) **References Cited**

U.S. PATENT DOCUMENTS

948,124 A 2/1910 Arends
1,241,409 A * 9/1917 Lizarraga 102/501
D138,416 S 8/1944 Fernandez
2,372,970 A 4/1945 Mitchell
2,683,416 A 7/1954 Keller et al.
D220,296 S * 3/1971 Berlin D19/42
3,991,684 A * 11/1976 Pritchard 102/510
D253,136 S 10/1979 Lynch
D256,329 S 8/1980 Murtagh
4,945,639 A * 8/1990 Kirby 30/329
D322,862 S 12/1991 Miller
D372,660 S 8/1996 Niessner
5,565,646 A * 10/1996 Williams 102/439
D375,670 S 11/1996 Cox
D389,221 S 1/1998 Borg
D407,212 S * 3/1999 Molaro D3/211
D420,271 S 2/2000 Wenk

FIG. 3 is a side view of the bullet shaped letter opener of FIG. 1 shown in the casing.

FIG. 4 is a side view of the bullet shaped letter opener shown removed from the casing with the letter opener portion shown in broken lines.

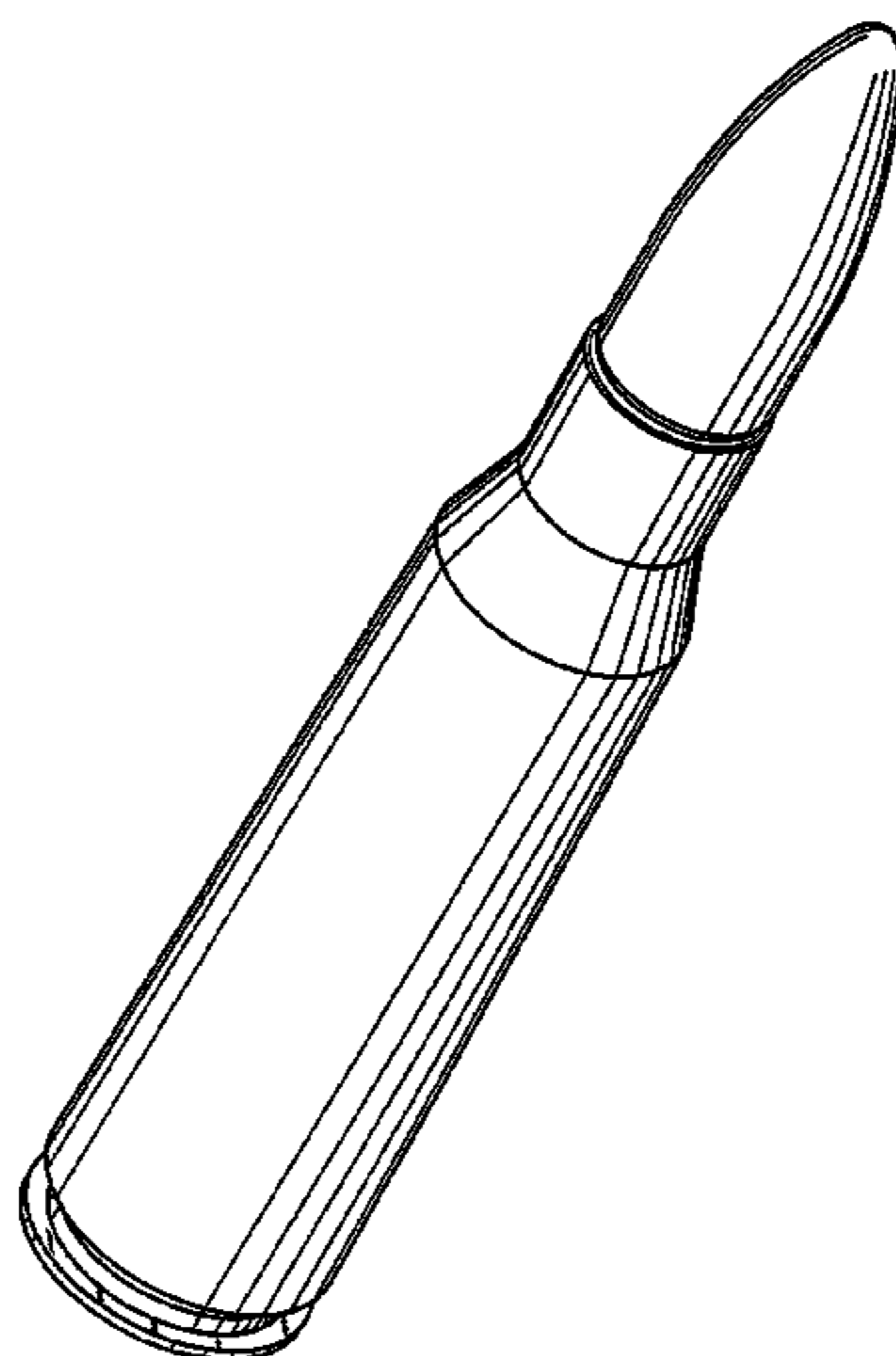
FIG. 5 is a top view of the bullet shaped letter opener of FIG. 3.

FIG. 6 is a right side view of the bullet shaped letter opener shown removed from the casing with the letter opener portion shown in broken lines; and,

FIG. 7 is a bottom view of the bullet shaped letter opener of FIG. 3.

The broken lines shown in the drawings form no part of the claimed design.

1 Claim, 2 Drawing Sheets



US D546,657 S

Page 2

U.S. PATENT DOCUMENTS

D447,209 S	8/2001	Benini	
D467,831 S	* 12/2002	Rauber	D11/81
D469,095 S	1/2003	Hervig et al.	
D474,471 S	5/2003	Hervig et al.	
D478,909 S	8/2003	Hervig et al.	
D491,222 S	* 6/2004	Derman	D19/42
D496,398 S	* 9/2004	Greenberg	D19/43
D500,952 S	1/2005	Moore	
D512,625 S	12/2005	Cheldin	
D533,044 S	* 12/2006	Buening	D6/103

* cited by examiner

FIG. 1

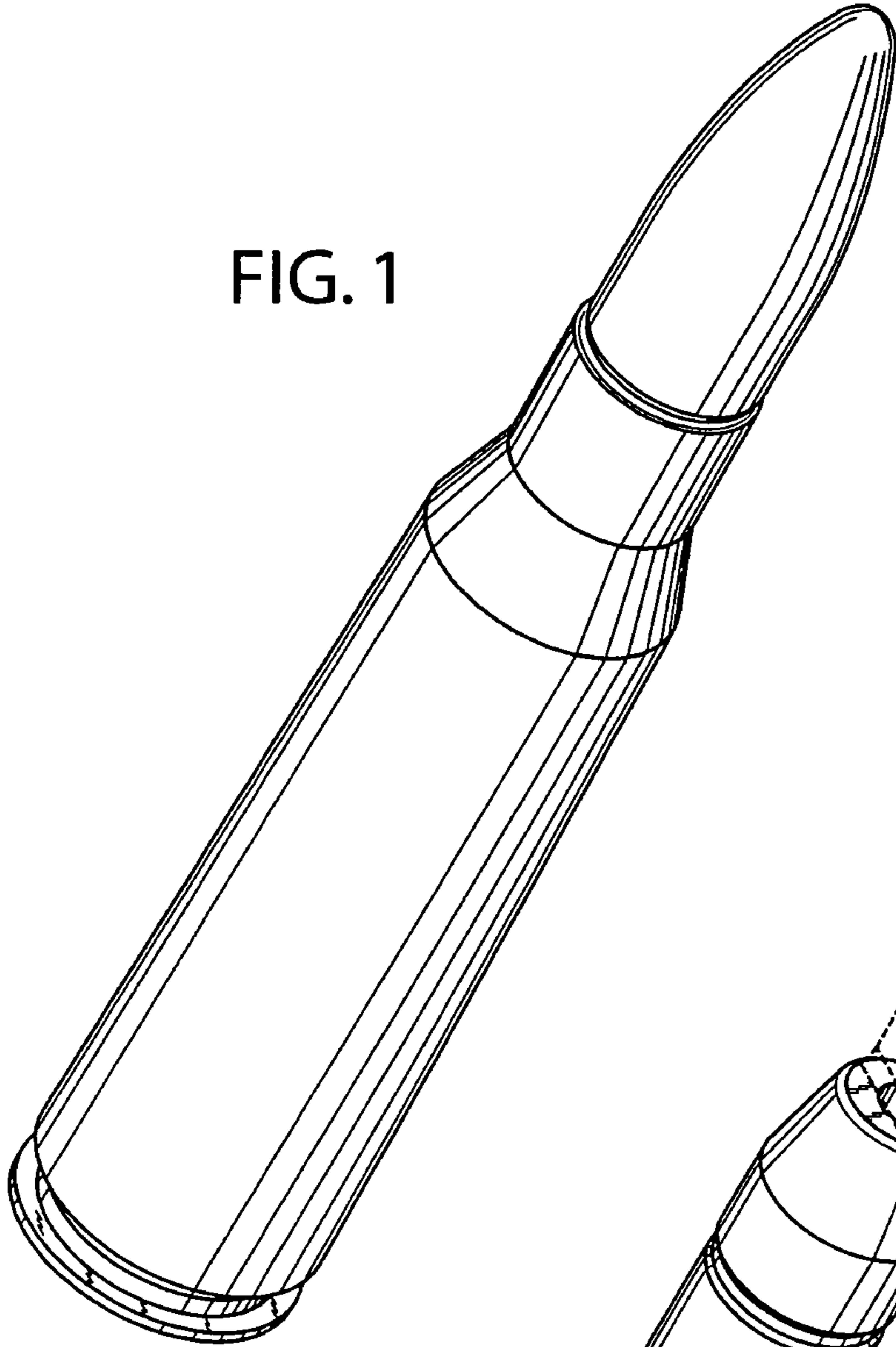
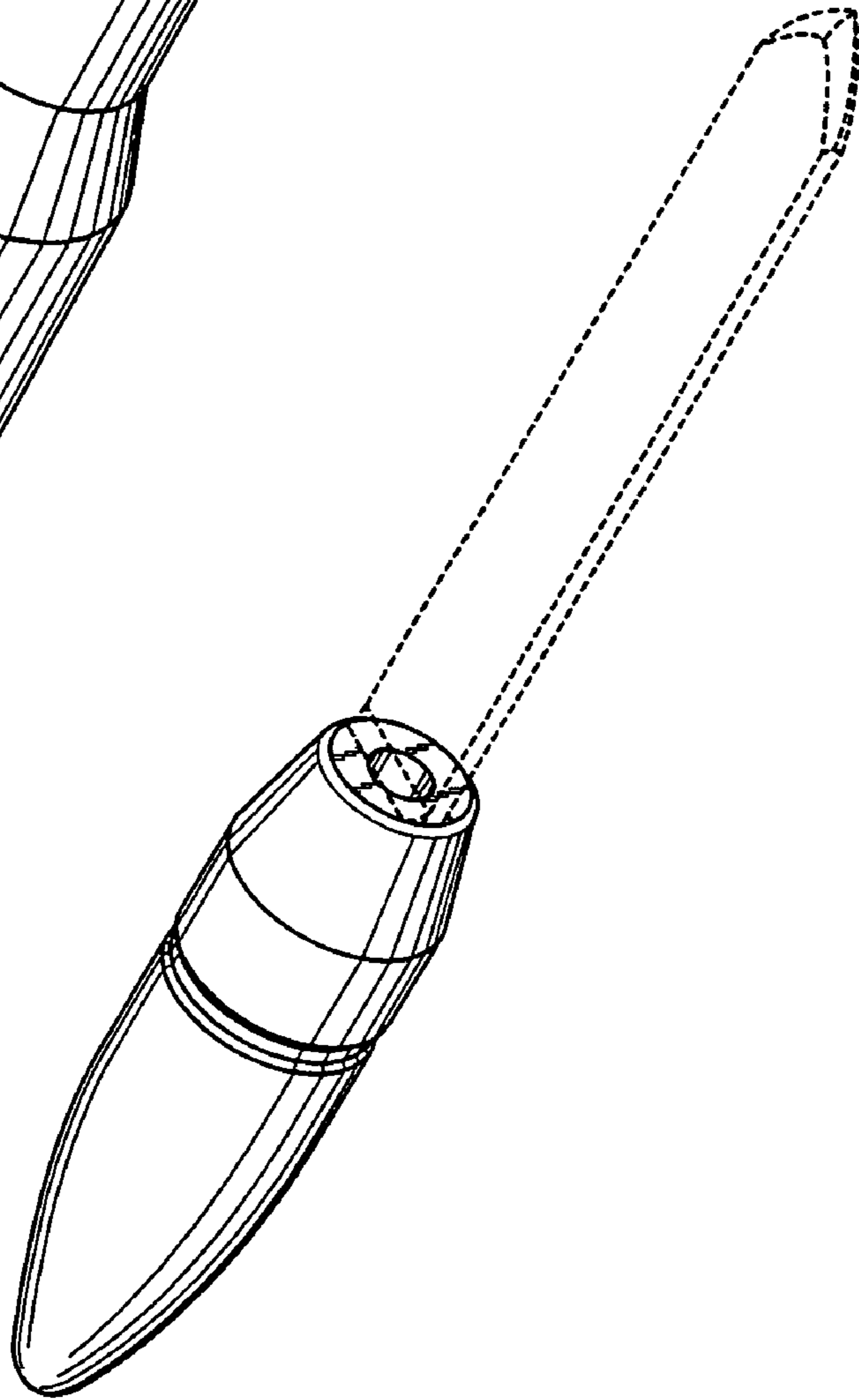


FIG. 2



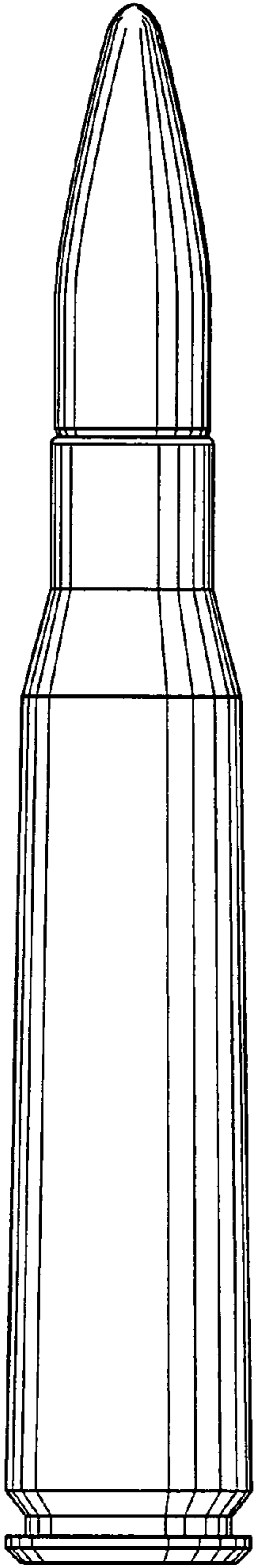


FIG 3

FIG.4

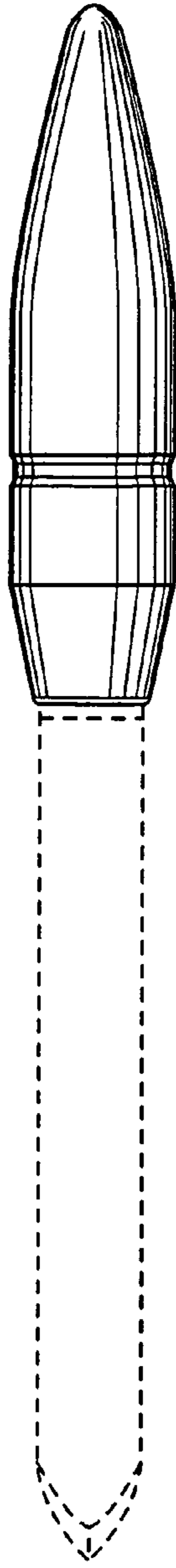


FIG.6

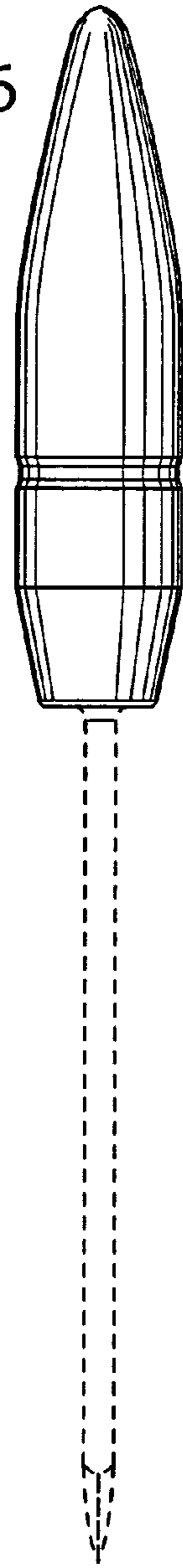


FIG.5

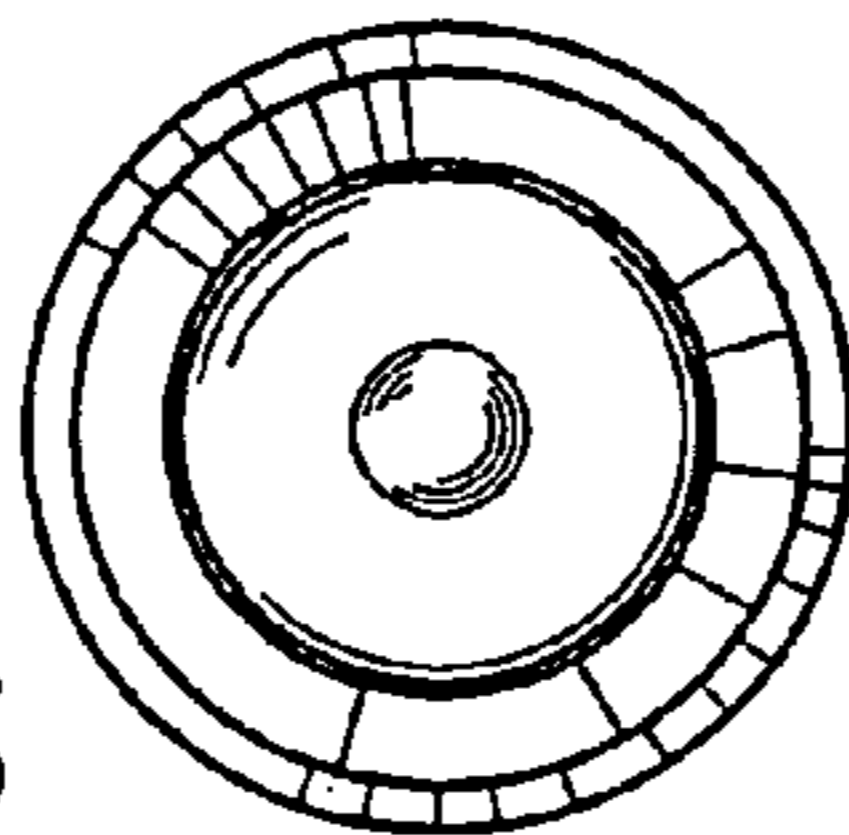


FIG.7

