

US00D546655S

(12) **United States Design Patent**
Schluter

(10) **Patent No.:** **US D546,655 S**

(45) **Date of Patent:** **** Jul. 17, 2007**

(54) **DRIVER BIT**

6,302,632 B1 10/2001 Lin
6,490,950 B2 * 12/2002 Ray et al. 76/119
6,601,476 B2 8/2003 Hu

(75) Inventor: **Robert Schluter**, Kinnelton, NJ (US)

(73) Assignee: **Middle Atlantic Products, Inc.**,
Fairfield, NJ (US)

FOREIGN PATENT DOCUMENTS

EP 0 570 040 A1 11/1993
EP 0 330 349 B1 7/1994

(**) Term: **14 Years**

OTHER PUBLICATIONS

(21) Appl. No.: **29/241,770**

Taiwan Hand Tools Buyer's Guide 2001; pp. 3; www.handtoolsb2b.com.

(22) Filed: **Nov. 1, 2005**

Textron Fastening Systems dated Mar. 3, 2004—Reduce In-place Costs with the Torx Plus Drive System—www.textronfastening-systems.com/products/torxplus/tp_benefits.html, 3 pages.

Related U.S. Application Data

(62) Division of application No. 29/201,779, filed on Mar. 19, 2004, now Pat. No. Des. 513,162.

Textron Fastening Systems—Camcar Textron—Torx Plus Drive System—www.camcar.textron.com/torxplus, 1 page (undated).

(51) **LOC (8) Cl.** **08-04**

(52) **U.S. Cl.** **D8/86**

(58) **Field of Classification Search** D8/82,
D8/83, 84, 85, 86, 87; 81/177.2, 177.85,
81/436, 437, 438, 439, 440, 442, 443, 448;
411/403, 404

See application file for complete search history.

(Continued)

Primary Examiner—Philip S. Hyder

(74) *Attorney, Agent, or Firm*—Drinker Biddle & Reath LLP

(57) **CLAIM**

The ornamental design for a driver bit, as shown and described.

(56) **References Cited**

U.S. PATENT DOCUMENTS

| | | | |
|-----------|----|---------|--------------|
| 2,169,460 | A | 8/1939 | Broughton |
| 2,851,295 | A | 9/1958 | Chaffee |
| 4,242,932 | A | 1/1981 | Barmore |
| 4,266,453 | A | 5/1981 | Farley |
| 4,890,521 | A | 1/1990 | Bien |
| 4,924,736 | A | 5/1990 | Bonner |
| 5,168,782 | A | 12/1992 | Cromwell |
| D345,145 | S | 3/1994 | Fogg et al. |
| 5,291,811 | A | 3/1994 | Goss |
| 5,378,101 | A | 1/1995 | Olson et al. |
| 5,461,952 | A | 10/1995 | Goss |
| 5,485,769 | A | 1/1996 | Olson et al. |
| 5,595,099 | A | 1/1997 | Pusateri |
| 6,186,718 | B1 | 2/2001 | Fogard |

DESCRIPTION

FIG. 1 is an isometric view of a driver bit showing my new design.

FIG. 2 is a front elevation view of the driver bit of FIG. 1, the rear elevation view being identical.

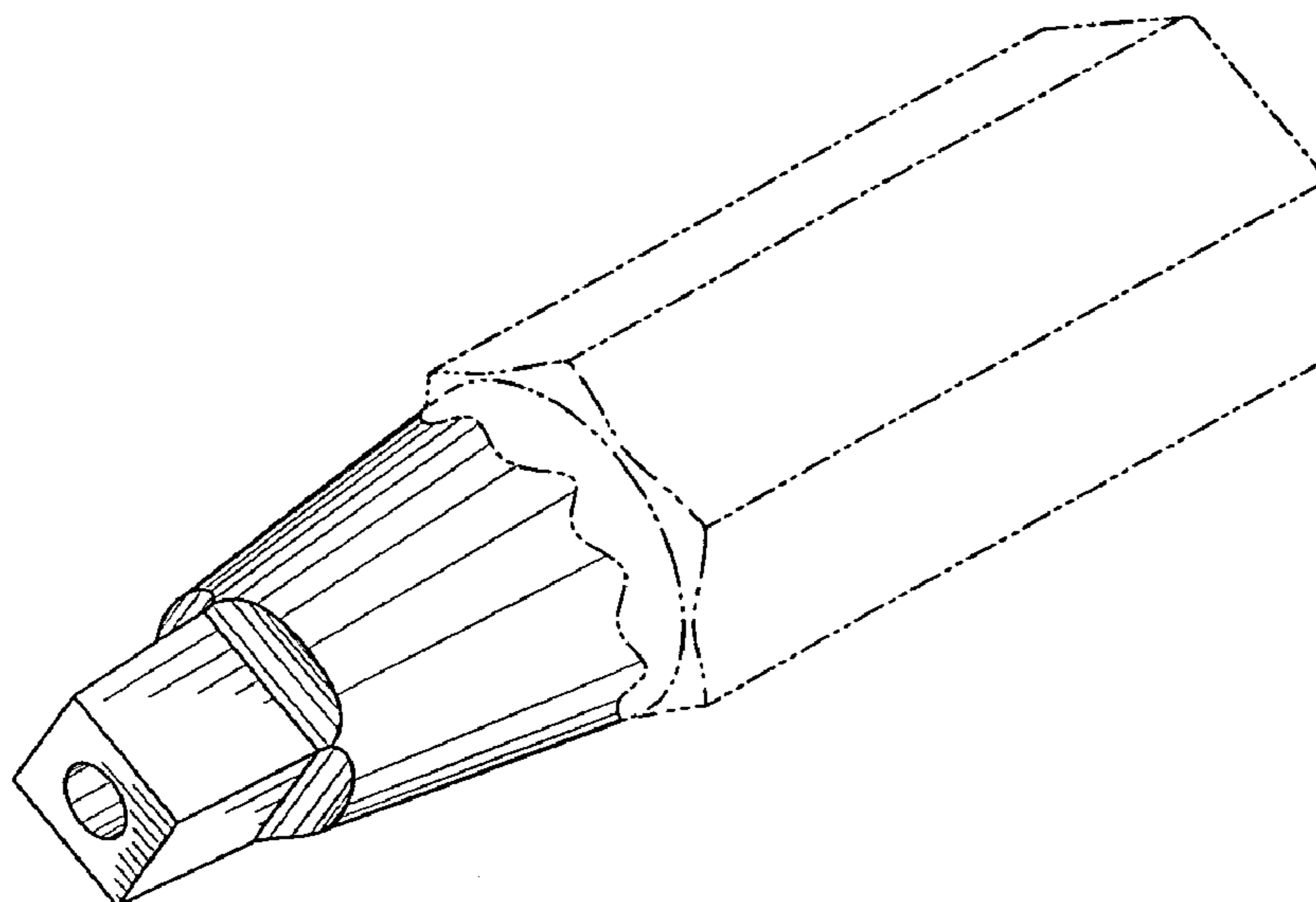
FIG. 3 is a right side elevation view of the driver bit of FIG. 1, the left side elevation view being identical.

FIG. 4 is a top end view of the driver bit of FIG. 1; and,

FIG. 5 is a bottom end view of the driver bit of FIG. 1.

The portions of the drawings appearing in broken line are for environment only and do not form a part of the design.

1 Claim, 3 Drawing Sheets



OTHER PUBLICATIONS

Textron Fastening Systems Torx Plus Drive System—Fastening Solutions, 15 pages.

Camcar Textron Torx plus—Internal Tamper Resistant Screwdriver (Sheet 2)—p. No. NID-605—dated Feb. 13, 2002, 1 page.

Camcar Textron Torx plus—Tamper Resistant Key (Sheet 2)—p. NID-603—dated Feb. 13, 2002, 1 page.

Camcar Textron Torx plus—Internal Tamper Resistant Torx Plus Drive Bit (sheet 2)—p. NID-602—dated Feb. 13, 2002, 1 page.

Camcar Textron Torx plus—Internal Tamper Resistant Torx Plus Drive Bit Sheet 1)—p. NID-602—dated May 24, 2002, 1 page.

Camcar Textron Torx plus—Tamper Resistant Torx Plus with Autosert® Feature Head Standards—p. NIH-30.3—dated Oct. 1999, 1 page.

Camcar Textron Torx plus—Tamper Resistant Head Standards (Sheet 2 of 2)—p. NIH-30.2—dated Sep. 19, 2002, 1 page.

* cited by examiner

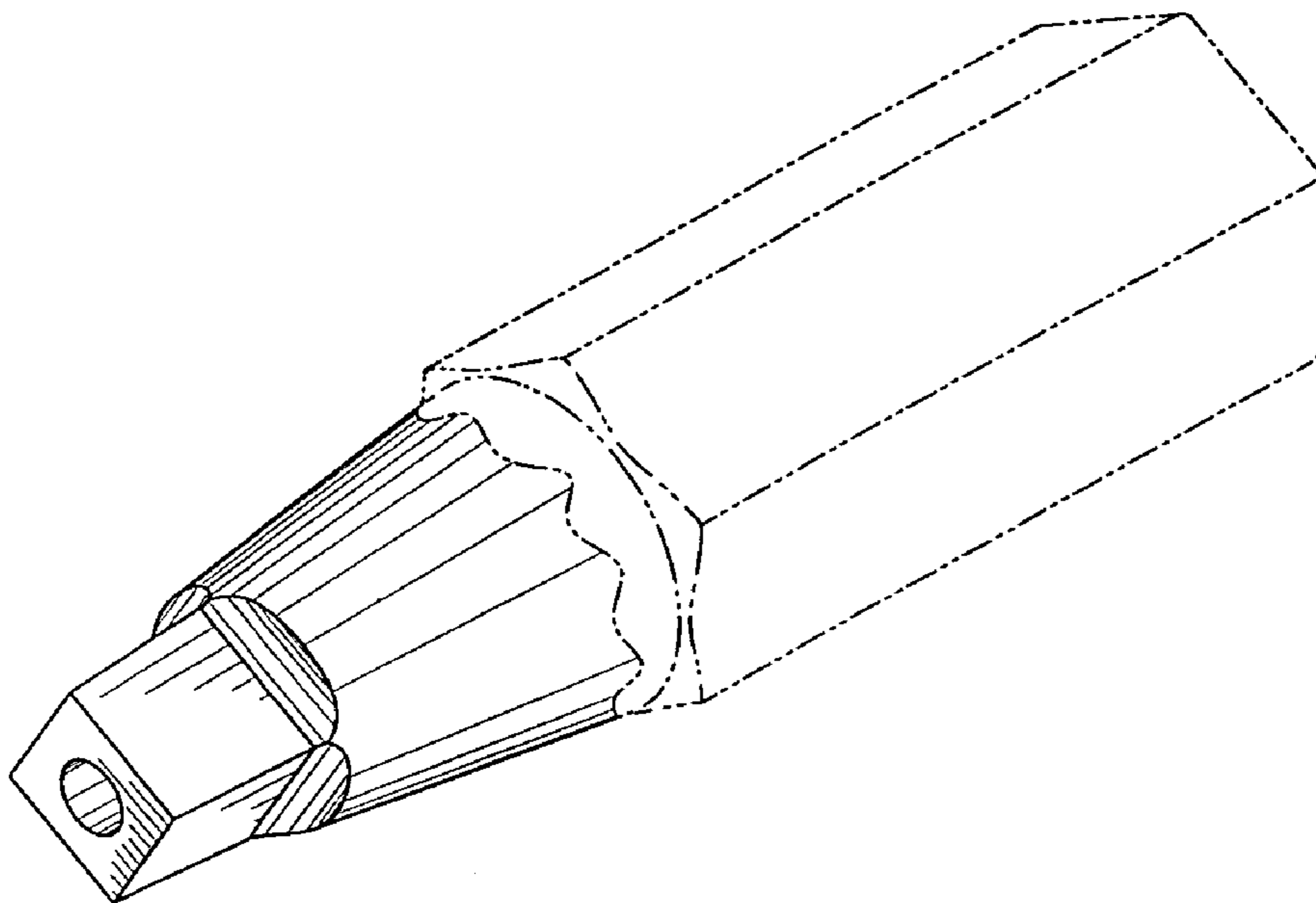


FIG. 1

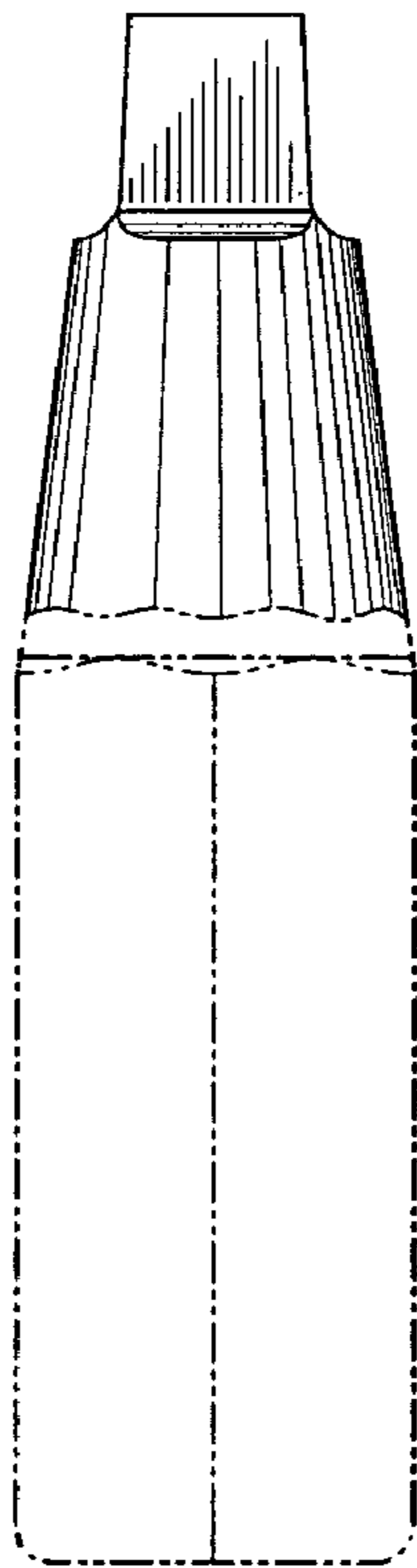


FIG. 2

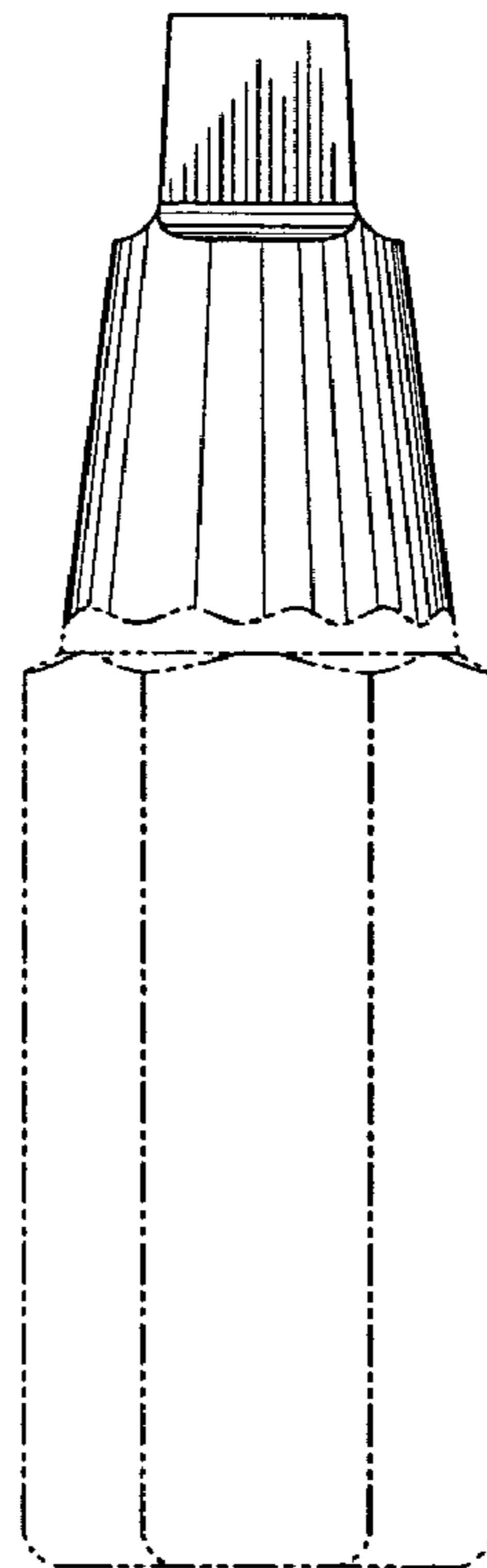


FIG. 3

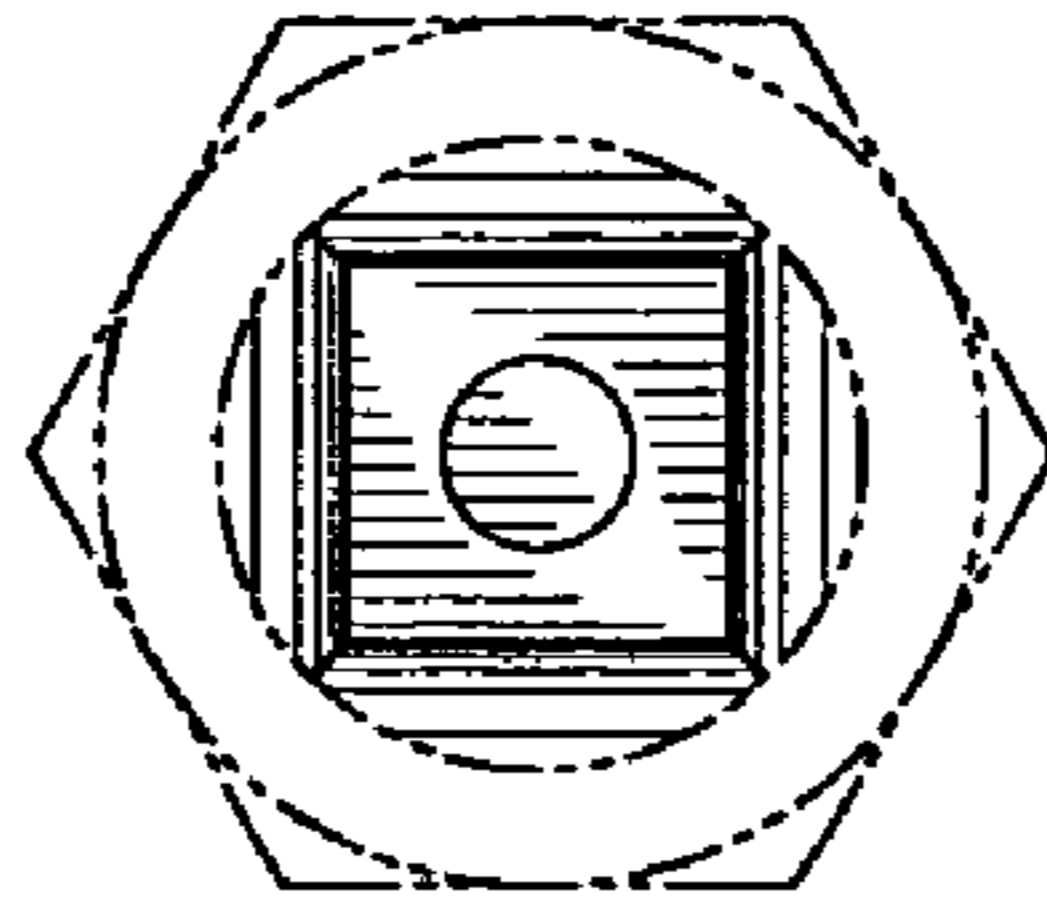


FIG. 4

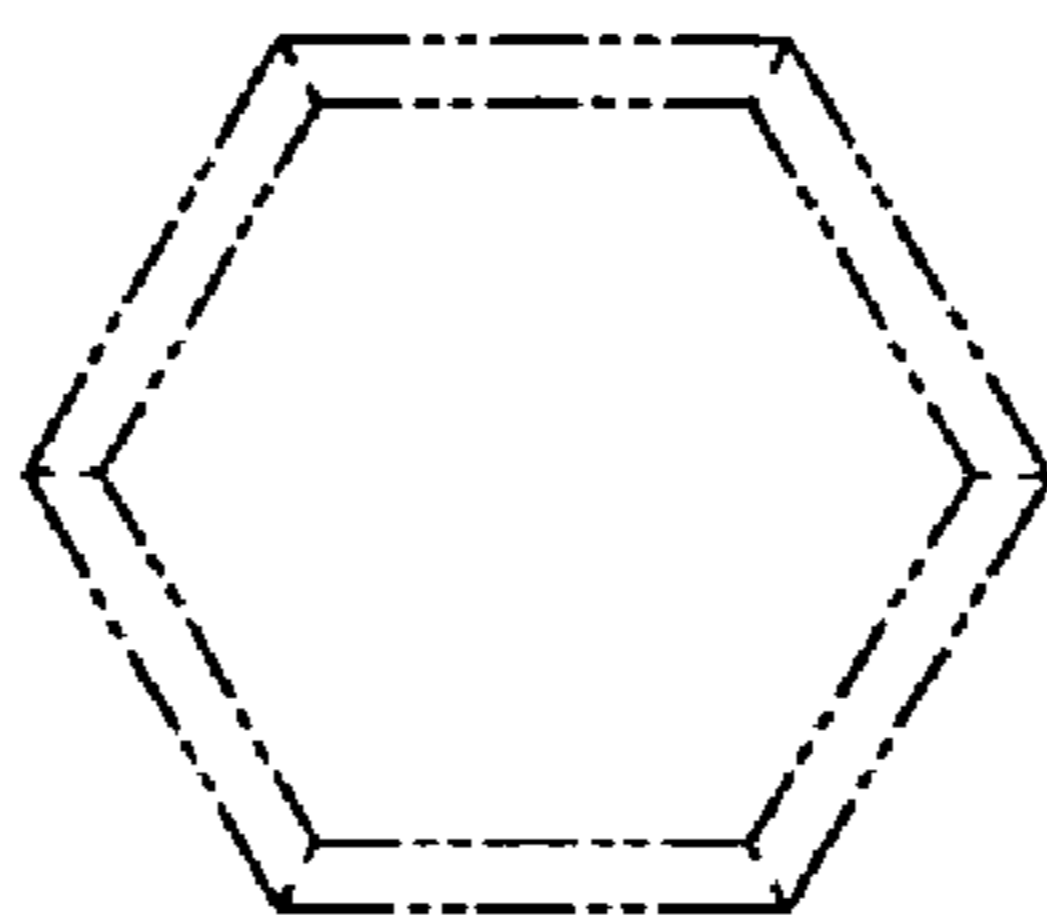


FIG. 5