

US00D546654S

(12) **United States Design Patent** (10) **Patent No.:** **US D546,654 S**
Etter et al. (45) **Date of Patent:** **** Jul. 17, 2007**

(54) **ROUTER WITH PLUNGE BASE** 3,487,747 A 1/1970 Burrows et al. 90/11
3,494,395 A 2/1970 Graham 144/136
(75) Inventors: **Mark A. Etter**, Humboldt, TN (US); 3,512,740 A 5/1970 Podwalny 248/154
Ginger L. Allen, Jackson, TN (US); 3,587,387 A 6/1971 Burrows et al. 90/12
John M. Woodlief, Jackson, TN (US)
(Continued)

(73) Assignee: **Black & Decker Inc.**, Newark, DE (US)

FOREIGN PATENT DOCUMENTS

CA 500134 2/1954

(**) Term: **14 Years**

(Continued)

(21) Appl. No.: **29/198,534**

OTHER PUBLICATIONS

(22) Filed: **Jan. 29, 2004**

#9000-04 *Advantage Rotary Saw™ Kit*; © 2000 Dremel; http://www.dremel.com/productdisplay/tool_template2.asp?SKU=9000-04&Color=99CCFF, #9000-04 Advantage Rotary Saw Kit, Mar. 21, 2003, 1 page.

(51) **LOC (8) Cl.** **08-01**

(52) **U.S. Cl.** **D8/67**

(58) **Field of Classification Search** D8/61,
D8/62, 67; 144/134.1, 135.2, 136.1, 136.95,
144/154.5, 252.1; 409/180, 181, 182; 451/344,
451/356, 357

(Continued)

See application file for complete search history.

Primary Examiner—Elizabeth A. Albert
(74) *Attorney, Agent, or Firm*—Scott B. Markow

(56) **References Cited**

(57) **CLAIM**

U.S. PATENT DOCUMENTS

We claim the ornamental design for a router with plunge base, as shown.

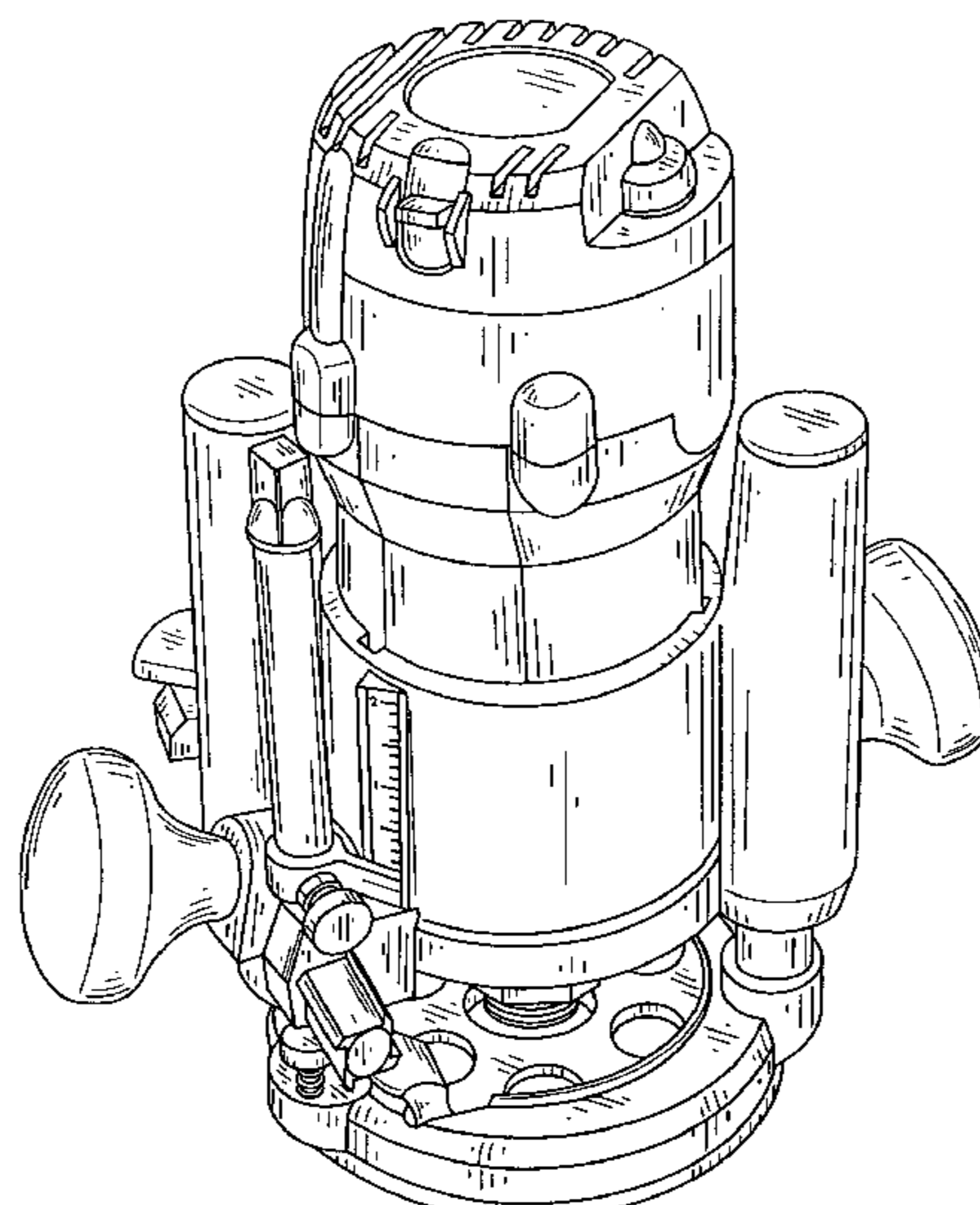
712,843 A	11/1902	Paul	
1,370,895 A	3/1921	Loomis	
1,514,894 A	11/1924	Carter	
1,565,790 A	12/1925	Carter	
1,584,078 A	5/1926	Carter	
1,820,162 A	8/1931	Salvat	
1,874,232 A	8/1932	Groene et al.	
2,353,202 A	7/1944	Tautz	144/134
2,425,245 A	8/1947	Johnson	121/36
2,504,880 A	4/1950	Rittenhouse	143/43
2,513,894 A	7/1950	Rogers	206/17
2,799,305 A	7/1957	Groehn	144/253
3,289,718 A	12/1966	Willis	144/136
3,436,090 A	4/1969	Lange et al.	280/11.37
3,443,479 A	5/1969	Hawley et al.	90/12
3,451,133 A	6/1969	Hathaway et al.	32/22
3,466,973 A	9/1969	Rees	90/12
3,481,453 A	12/1969	Shreve, III et al.	206/45.14

DESCRIPTION

FIG. 1 is a front perspective view showing our new design;
FIG. 2 is a top plan view thereof;
FIG. 3 is a front elevation view thereof;
FIG. 4 is a left side elevation view thereof;
FIG. 5 is a rear elevation view thereof;
FIG. 6 is a right side elevation view thereof; and,
FIG. 7 is a bottom plan view thereof.

The broken line showing of a portion of the router is included for the purpose of illustrating environment and forms no part of the claimed design.

1 Claim, 3 Drawing Sheets



US D546,654 S

Page 2

U.S. PATENT DOCUMENTS					
		5,662,440 A	9/1997	Kikuchi et al.	409/182
3,710,833 A	1/1973	5,671,789 A	9/1997	Stolzer et al.	144/154.5
3,767,948 A	10/1973	5,678,965 A	10/1997	Strick	409/132
3,791,260 A	2/1974	5,699,844 A	12/1997	Witt	144/329
3,827,820 A	8/1974	5,725,036 A	3/1998	Walter	144/135.2
3,905,273 A	9/1975	5,725,038 A	3/1998	Tucker et al.	144/371
4,051,880 A	10/1977	5,772,368 A	6/1998	Posh	409/182
4,085,552 A	4/1978	5,803,684 A	9/1998	Wang	409/229
4,102,370 A	7/1978	5,813,805 A	9/1998	Kopras	408/241 R
4,108,225 A	8/1978	5,829,931 A	11/1998	Doumani	409/132
4,143,691 A	3/1979	5,853,273 A	12/1998	Coffey	409/182
4,239,428 A	12/1980	5,853,274 A	12/1998	Coffey et al.	409/182
4,294,297 A	10/1981	5,902,080 A	5/1999	Kopras	409/182
4,319,860 A	3/1982	5,909,987 A *	6/1999	Coffey et al.	409/131
D267,492 S	1/1983	5,913,645 A	6/1999	Coffey	409/182
4,410,022 A	10/1983	5,918,652 A	7/1999	Tucker	144/371
4,445,811 A	5/1984	5,921,730 A	7/1999	Young et al.	409/182
4,537,234 A	8/1985	D416,460 S *	11/1999	Bosten et al.	D8/67
4,562,872 A	1/1986	5,988,241 A	11/1999	Bosten et al.	144/154.5
4,593,466 A	6/1986	5,998,897 A	12/1999	Bosten et al.	310/89
D286,132 S	10/1986	6,050,759 A	4/2000	Bone	409/182
4,615,654 A	10/1986	6,065,912 A	5/2000	Bosten et al.	409/134
4,652,191 A	3/1987	6,079,915 A	6/2000	Bosten et al.	409/182
4,679,606 A	7/1987	6,079,918 A	6/2000	Buddendeck et al.	409/182
4,718,468 A	1/1988	6,182,723 B1	2/2001	Bosten et al.	144/154.5
4,738,571 A	4/1988	6,183,400 B1	2/2001	Pope	482/92
4,770,573 A	9/1988	D444,364 S *	7/2001	Evans	D8/67
D300,501 S	4/1989	6,261,036 B1	7/2001	Bosten et al.	409/182
4,830,074 A	5/1989	6,266,850 B1	7/2001	Williams et al.	16/430
RE33,045 E	9/1989	6,289,952 B1	9/2001	Jones et al.	144/135.2
4,872,550 A	10/1989	6,305,447 B1	10/2001	Rousseau	144/135.2
4,924,571 A	5/1990	6,318,936 B1	11/2001	McFarlin, Jr. et al.	409/131
4,938,642 A	7/1990	6,419,429 B1	7/2002	Long et al.	409/182
5,012,582 A	5/1991	6,443,675 B1	9/2002	Kopras et al.	409/182
5,025,841 A	6/1991	6,443,676 B1	9/2002	Kopras	409/182
5,056,375 A	10/1991	6,474,378 B1	11/2002	Ryan et al.	144/154.5
5,062,460 A	11/1991	6,505,659 B1	1/2003	Hummel	144/135.2
5,074,724 A	12/1991	D470,375 S *	2/2003	Lopano	D8/61
5,078,557 A	1/1992	D470,377 S *	2/2003	Lopano	D8/67
D323,935 S	2/1992	D470,736 S *	2/2003	Lopano	D6/67
5,088,865 A	2/1992	6,520,224 B2	2/2003	Smith	144/135.2
5,094,575 A	3/1992	6,520,227 B2	2/2003	Mc Farlin, Jr. et al.	144/371
D326,597 S	6/1992	D473,439 S	4/2003	Grant et al.	D8/61
5,117,879 A	6/1992	6,550,154 B1	4/2003	Smith	33/638
5,139,061 A	8/1992	6,558,090 B2 *	5/2003	Lagaly et al.	409/182
5,181,813 A	1/1993	6,619,894 B2 *	9/2003	Hathcock et al.	409/182
5,188,492 A	2/1993	6,725,892 B2	4/2004	McDonald et al.	144/136.95
5,191,621 A	3/1993	6,726,414 B2	4/2004	Pientka et al.	409/182
D337,501 S	7/1993	6,739,066 B2	5/2004	Smith	33/638
D340,174 S	10/1993	D495,226 S *	8/2004	Grant et al.	D8/61
D341,305 S	11/1993	6,779,954 B2 *	8/2004	Tomayko	409/182
5,265,657 A	11/1993	6,792,984 B2	9/2004	Fontaine	144/135.2
5,273,089 A	12/1993	6,799,615 B2 *	10/2004	Smith	144/203
5,289,861 A	3/1994	6,896,451 B2 *	5/2005	Oberheim	409/131
5,308,201 A	5/1994	6,948,892 B2 *	9/2005	Hummel	409/182
D349,637 S	8/1994	D510,246 S *	10/2005	Waldron	D8/67
5,353,474 A	10/1994	D511,078 S *	11/2005	Baumgaertner	D8/67
5,353,852 A	10/1994	D511,079 S *	11/2005	Ozawa et al.	D8/67
5,361,851 A	11/1994	7,018,149 B2 *	3/2006	Freese et al.	409/182
5,368,424 A	11/1994	7,089,979 B2 *	8/2006	Cooper et al.	144/136.95
5,370,165 A *	12/1994	7,108,464 B2 *	9/2006	Cooper et al.	409/182
5,429,235 A	7/1995	D531,870 S *	11/2006	Andriolo	D8/67
5,445,479 A	8/1995	D531,871 S *	11/2006	Etter et al.	D8/67
5,452,751 A	9/1995	2002/0020466 A1	2/2002	McFarlin, Jr. et al. ...	144/135.2
5,469,601 A	11/1995	2002/0043294 A1	4/2002	McDonald et al.	144/154.5
5,511,445 A	4/1996	2002/0079021 A1	6/2002	Smith	144/135.2
5,584,620 A	12/1996	2003/0188441 A1 *	10/2003	Patton	30/381
5,590,989 A	1/1997	2003/0205292 A1	11/2003	Smith	144/252.1
5,598,892 A	2/1997	2003/0223835 A1	12/2003	Hummel	409/182
5,613,813 A	3/1997	2004/0035495 A1	2/2004	Hessenberger et al.	144/136.95
5,640,741 A	6/1997	2004/0194854 A1	10/2004	McDonald et al.	144/136.95
5,652,191 A	7/1997	2004/0200543 A1	10/2004	McDonald et al.	144/136.95
		2004/0250890 A1 *	12/2004	Nishikawa et al.	144/136.1

US D546,654 S

Page 3

2004/0250891	A1	12/2004	McDonald et al.	144/136.95	GB	712071	7/1954
2004/0253068	A1	12/2004	Gerhardt et al.	409/182	GB	1037969	8/1966
2005/0006000	A1*	1/2005	Freese et al.	144/136.95	JP	54051247	4/1979
2006/0067801	A1*	3/2006	Van Bergen	409/182	JP	04297645	9/1992
2006/0086417	A1*	4/2006	Griffin et al.	144/136.95	JP	04297646	9/1992
2006/0102248	A1*	5/2006	Cooper et al.	144/136.95	JP	06136286	5/1994
2006/0102249	A1*	5/2006	Cooper et al.	144/136.95	JP	0616544	6/1994
2006/0191597	A1*	8/2006	Cooper et al.	144/154.5			
2006/0249227	A1*	11/2006	McDonald et al.	144/136.95			
2006/0269377	A1*	11/2006	Onose et al.	409/182			
2006/0280570	A1*	12/2006	Taylor	409/182			

FOREIGN PATENT DOCUMENTS

CA	657748	2/1963
CA	2314653	7/2000

OTHER PUBLICATIONS

Bosch 1617 Shop Router, Parts Diagram, Jul. 1998.
Bosch Router Models, Owners Manual, p. 1-22, <http://www.boschtools.com>.

* cited by examiner

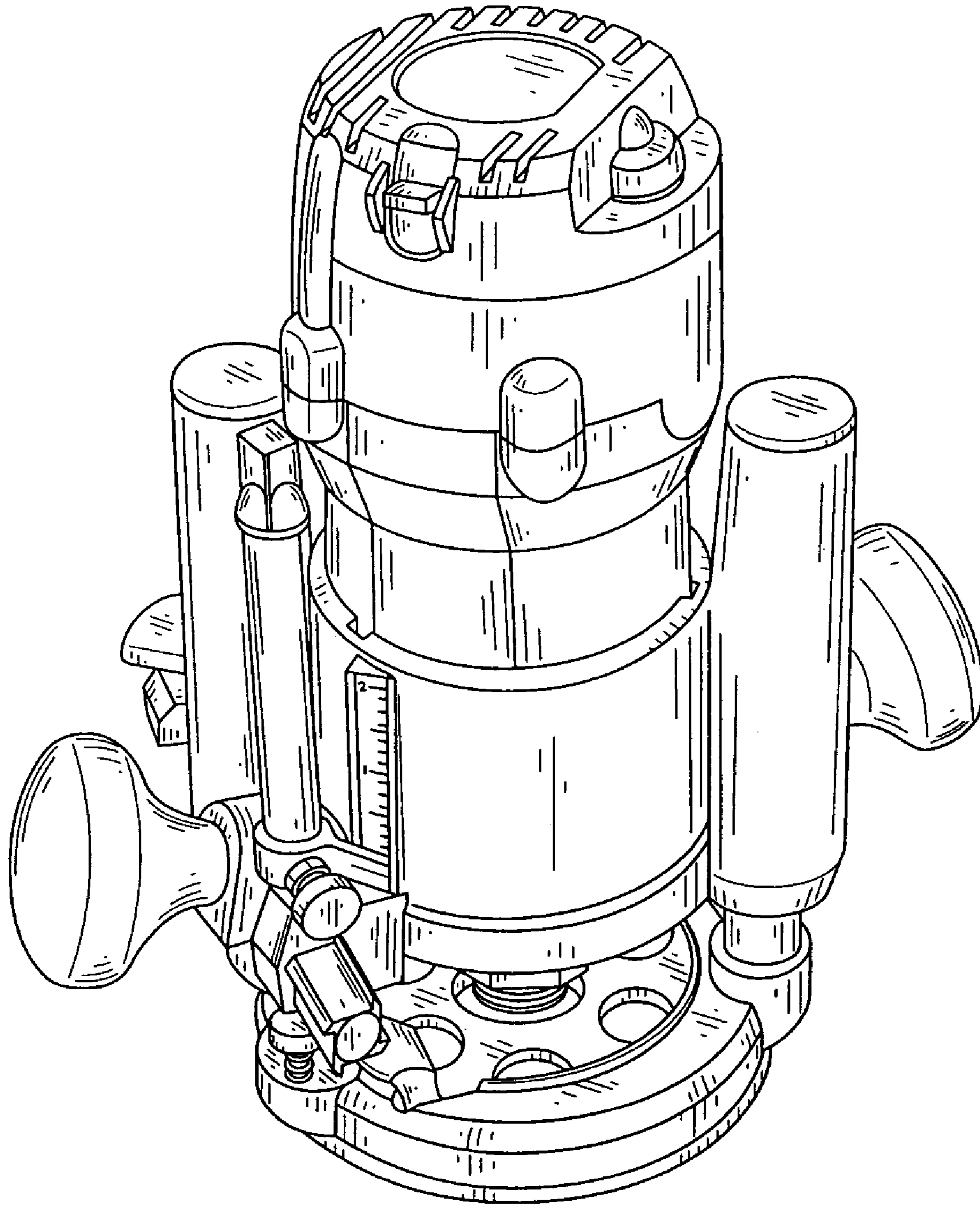


FIG. 1

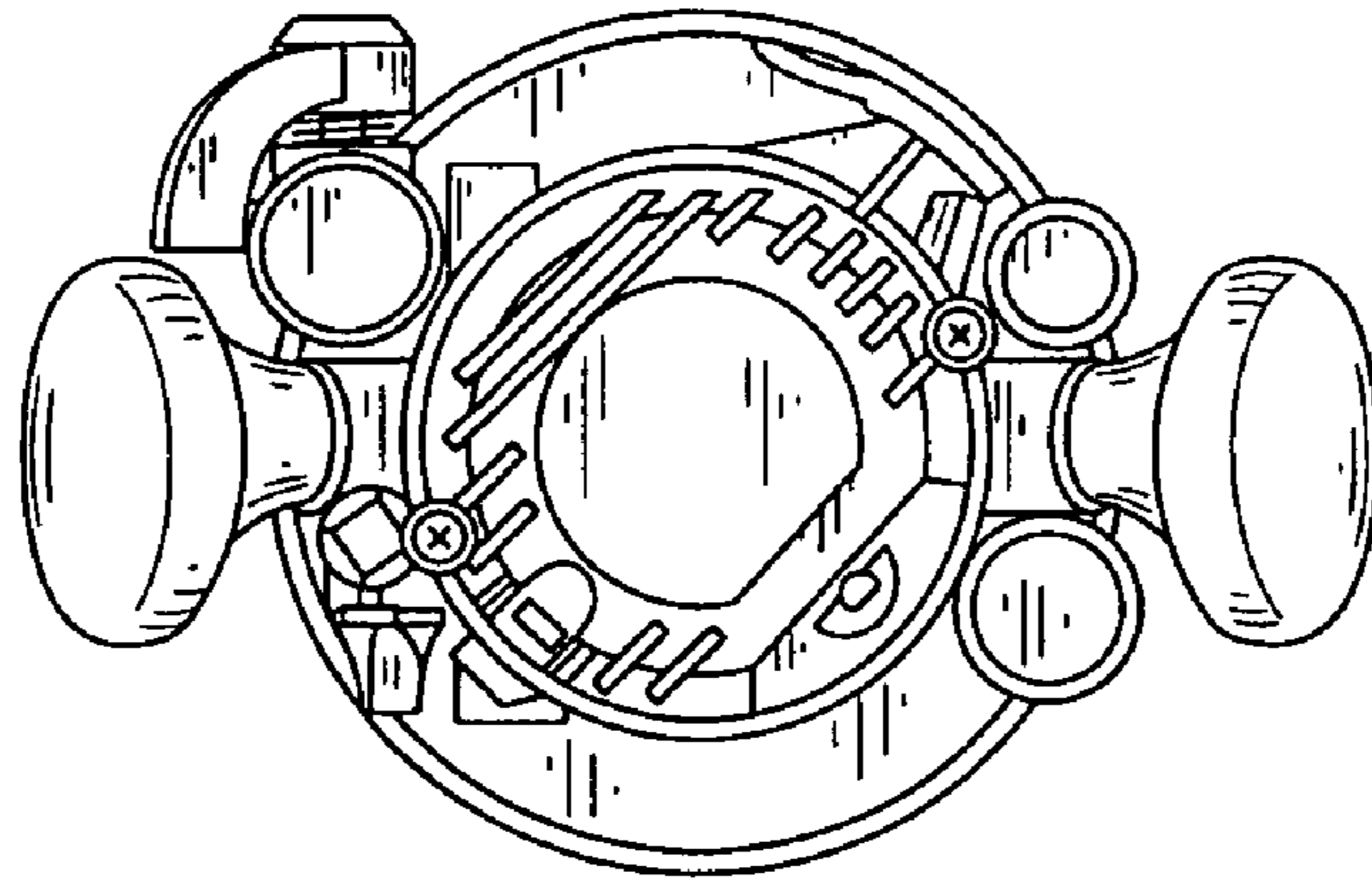


FIG. 2

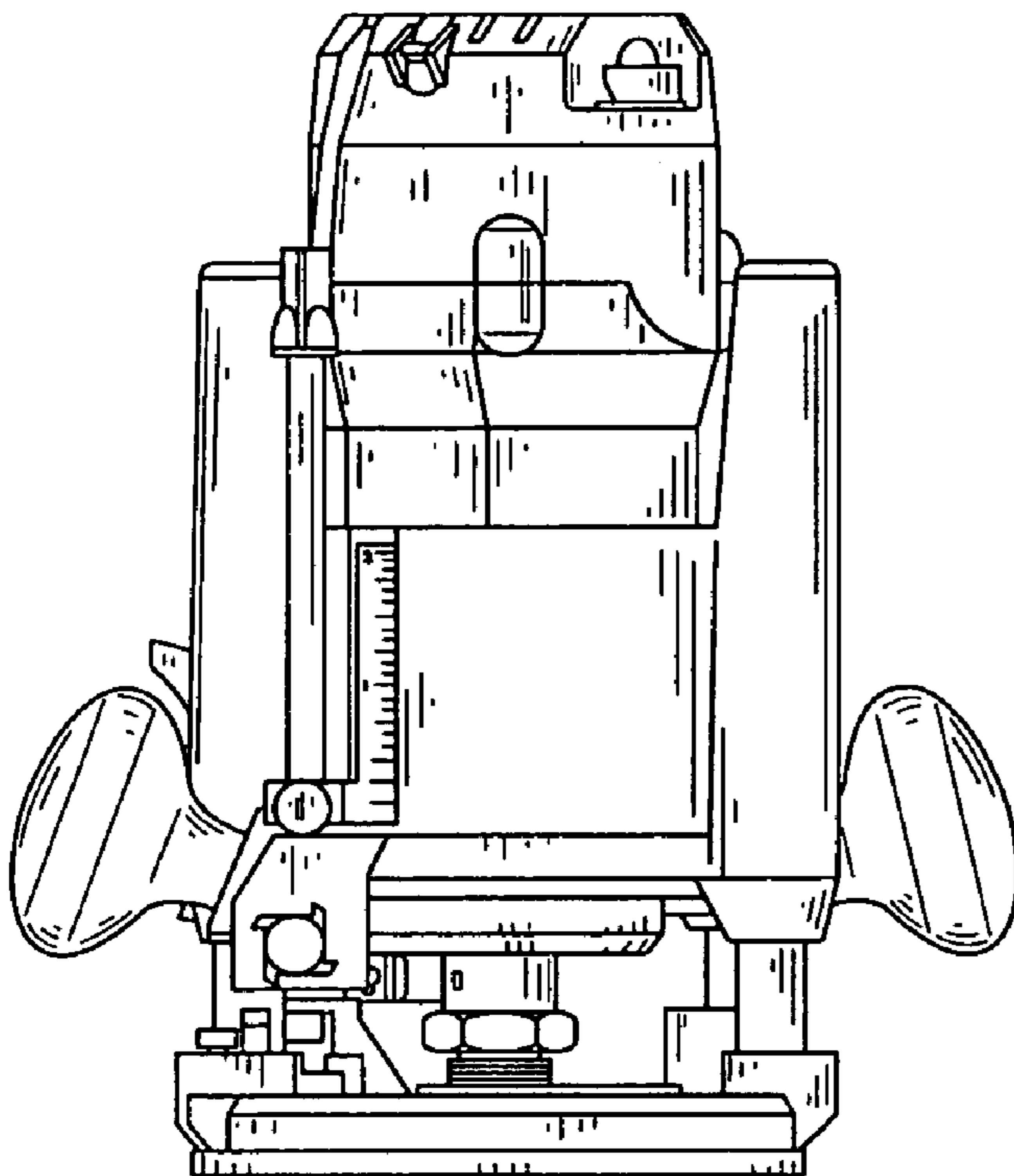


FIG. 3

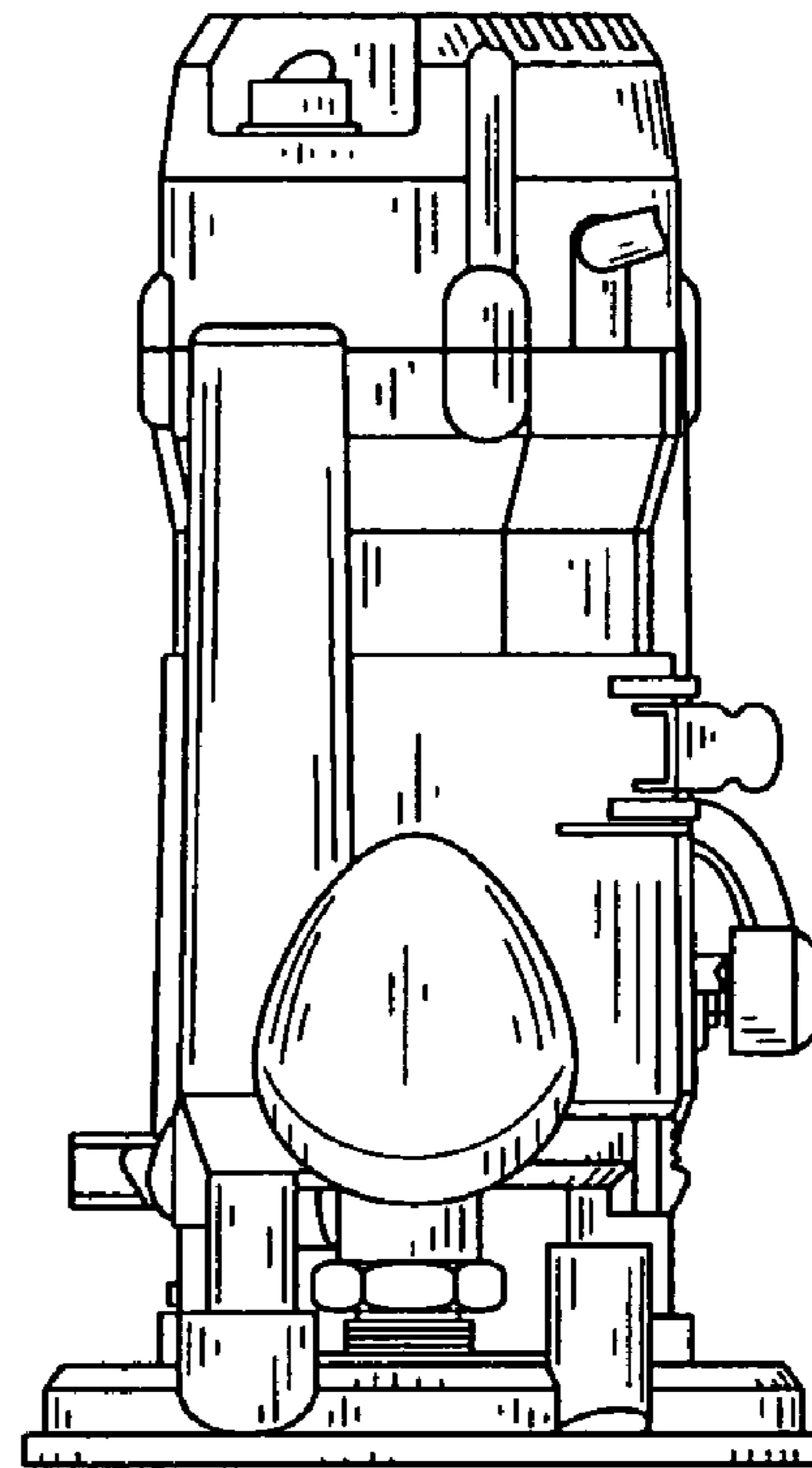


FIG. 4

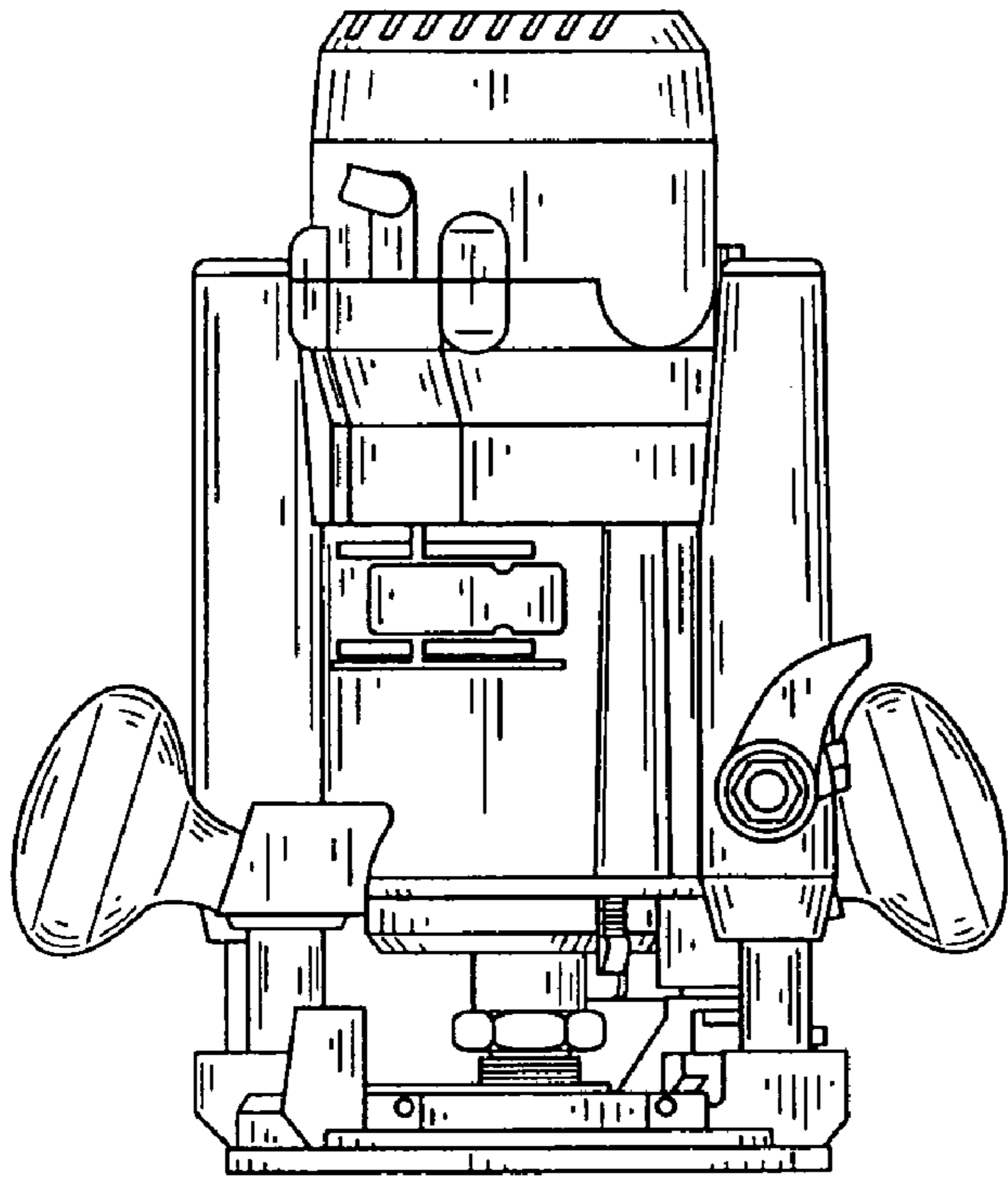


FIG. 5

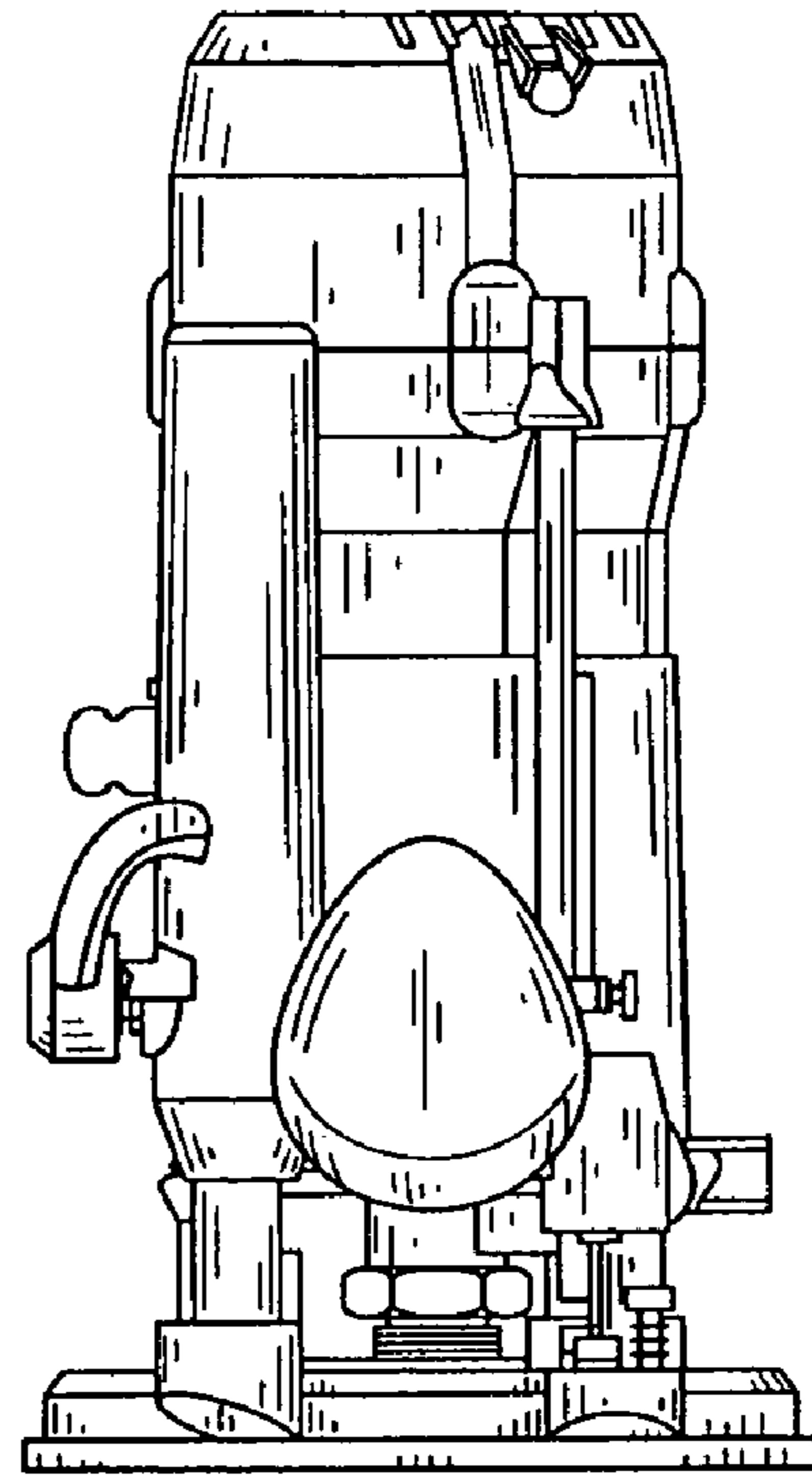


FIG. 6

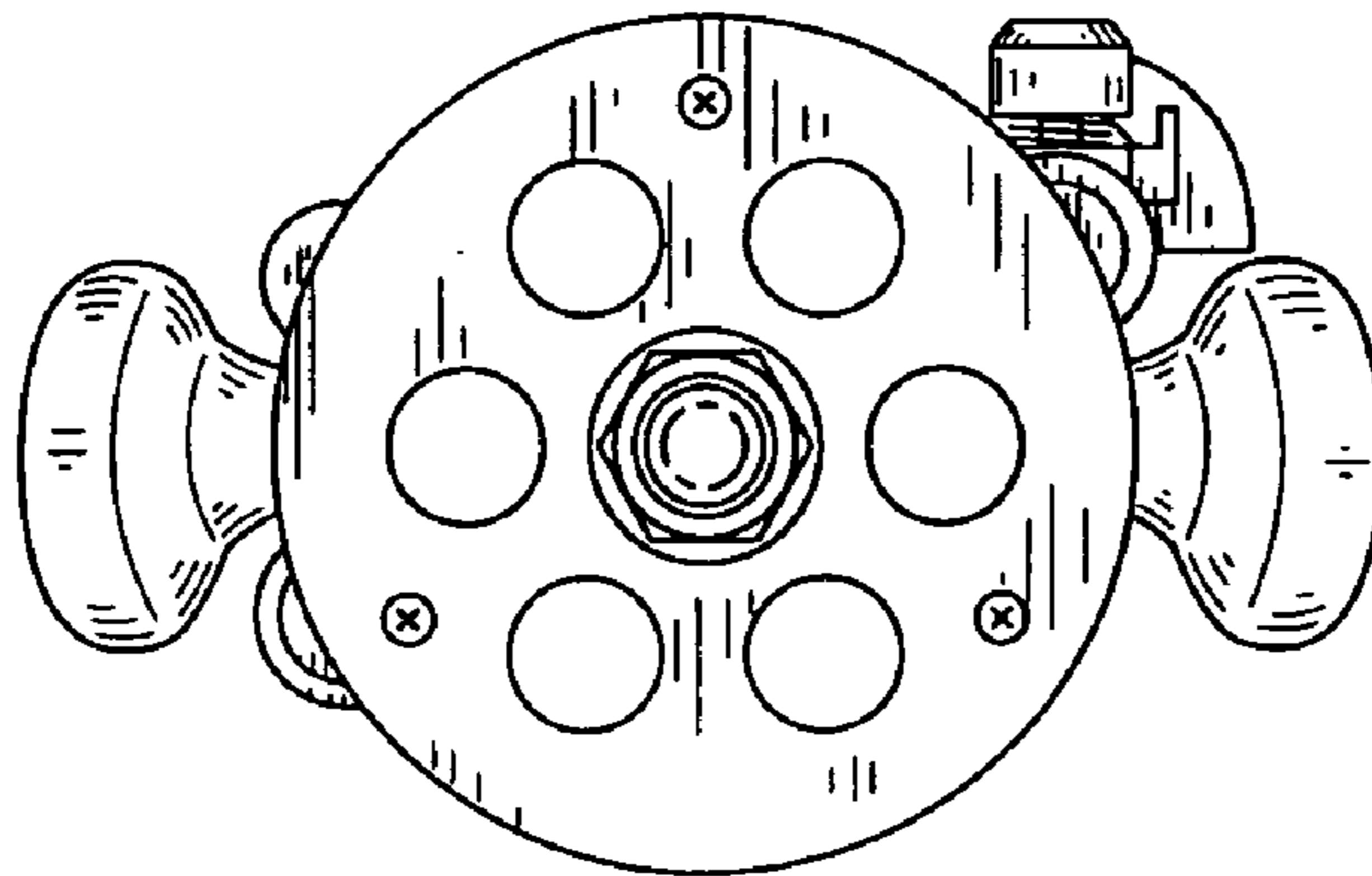


FIG. 7