



US00D546652S

(12) **United States Design Patent**
Lee

(10) **Patent No.:** **US D546,652 S**
(45) **Date of Patent:** **** Jul. 17, 2007**

(54) **BOTTLE OPENER**

(75) Inventor: **Shek Tang Lee**, Hong Kong (HK)

(73) Assignee: **Best Luck Technology Development Limited**, Tsuen Wan, New Territories (HK)

(**) Term: **14 Years**

(21) Appl. No.: **29/236,245**

(22) Filed: **Aug. 15, 2005**

(30) **Foreign Application Priority Data**

Jun. 6, 2005 (HK) 0501340

(51) **LOC (8) Cl.** **07-99**

(52) **U.S. Cl.** **D8/39**

(58) **Field of Classification Search** D8/16,
D8/18, 19, 33-43, 88, 98, 105; D7/372,
D7/373, 381, 386, 665, 666, 669, 680; D27/142;
7/113, 151-156; 30/1.5, 113.1, 113.2, 113.3,
30/400-450; 81/3.07, 3.08, 3.09, 3.2, 3.27,
81/3.35, 3.4, 3.45, 3.48, 3.49, 3.55, 3.57
See application file for complete search history.

(56) **References Cited**

U.S. PATENT DOCUMENTS

D442,043 S * 5/2001 Kao D8/39
D465,710 S * 11/2002 Kao D8/39
D467,141 S * 12/2002 Li D8/39

D467,479 S * 12/2002 Li D8/39
D481,599 S * 11/2003 Yu D8/39
D496,241 S * 9/2004 Yu D8/39
D504,292 S * 4/2005 Yeung D8/39
D517,882 S * 3/2006 Kushner D8/39
D518,694 S * 4/2006 Yu D8/39
D519,802 S * 5/2006 Henry D8/39
D522,823 S * 6/2006 Henry D8/39

* cited by examiner

Primary Examiner—Robert M. Spear

Assistant Examiner—Garth Rademaker

(74) *Attorney, Agent, or Firm*—Egbert Law Offices

(57) **CLAIM**

I claim the ornamental design for a bottle opener, as shown and described.

DESCRIPTION

FIG. 1 is a side view of the bottle opener showing my design.

FIG. 2 is an opposite side view thereof;

FIG. 3 is a front view thereof;

FIG. 4 is a back view thereof;

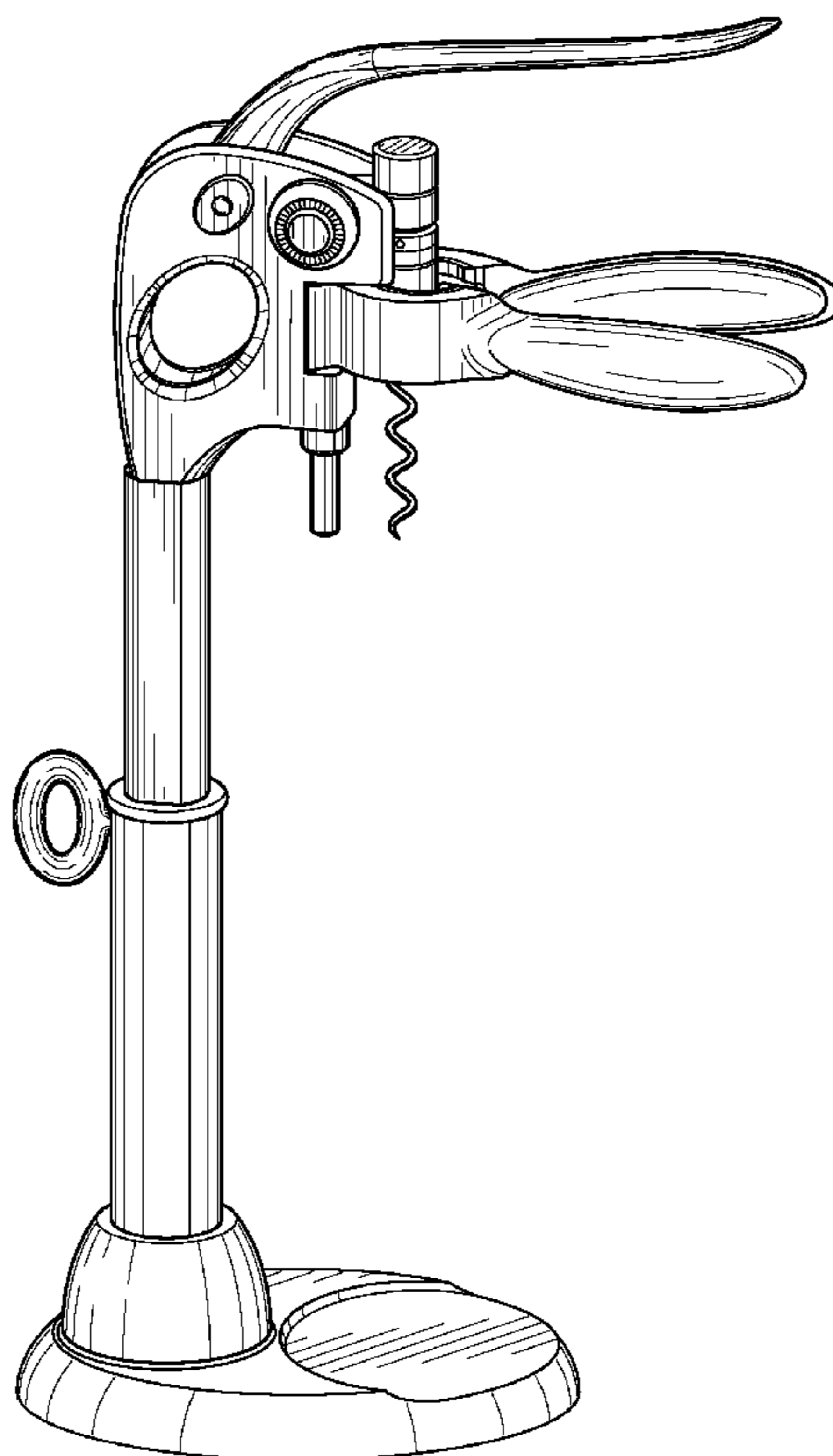
FIG. 5 is a top plan view thereof;

FIG. 6 is a bottom view thereof; and,

FIG. 7 is a perspective view thereof.

The broken lines are presented for illustrative purposes and form no part of the claimed design.

1 Claim, 6 Drawing Sheets



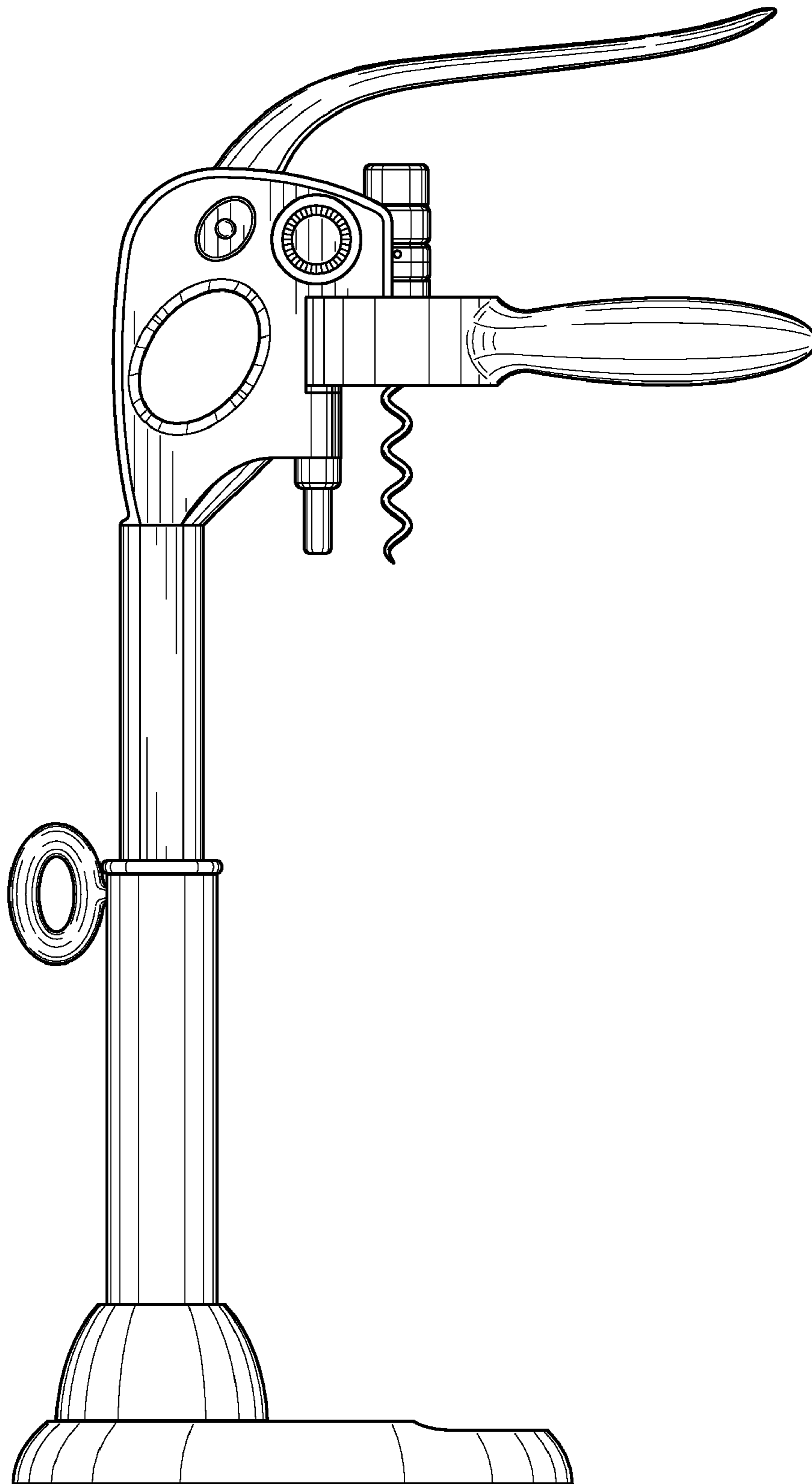


FIG. 1

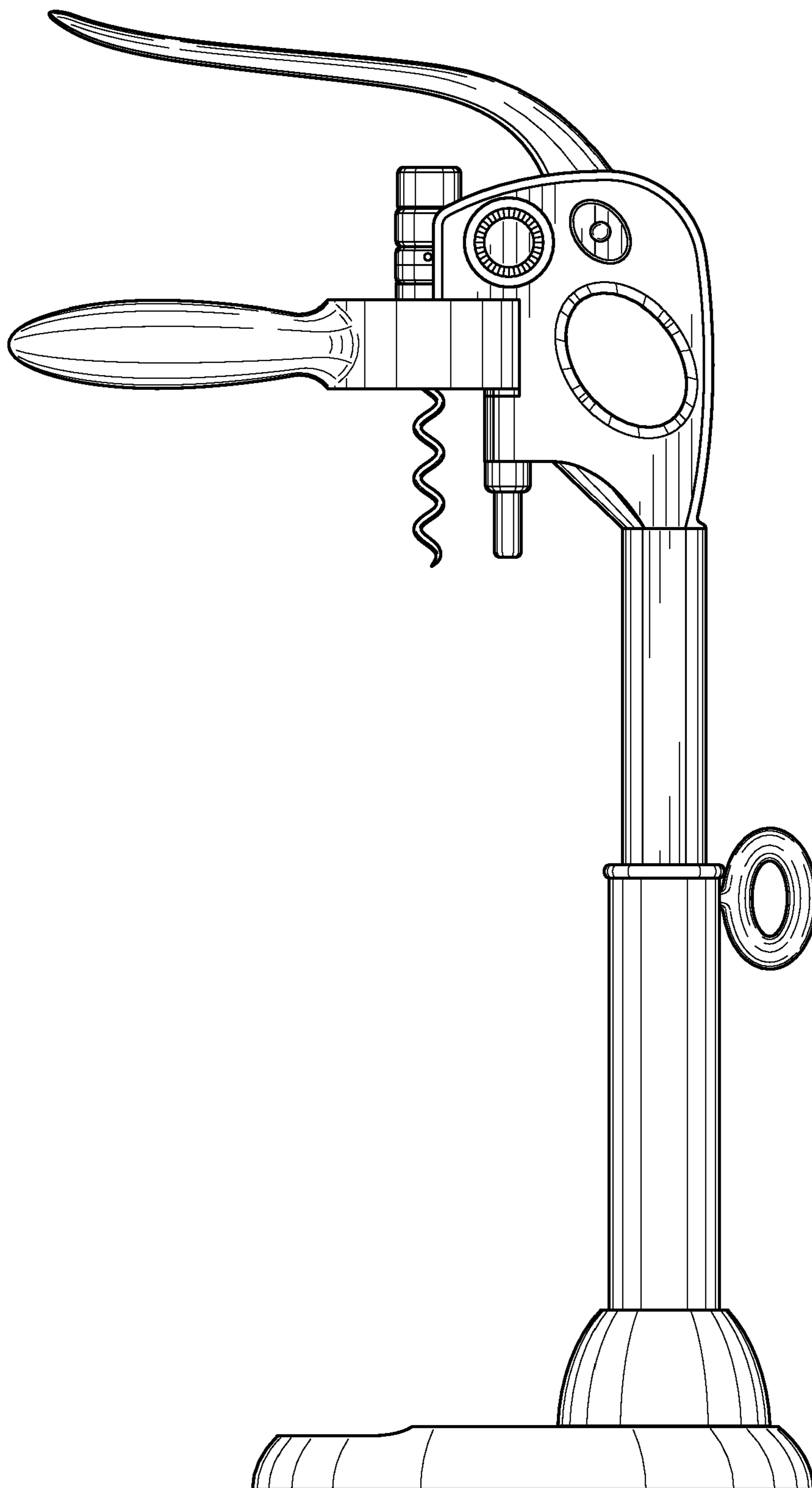


FIG. 2

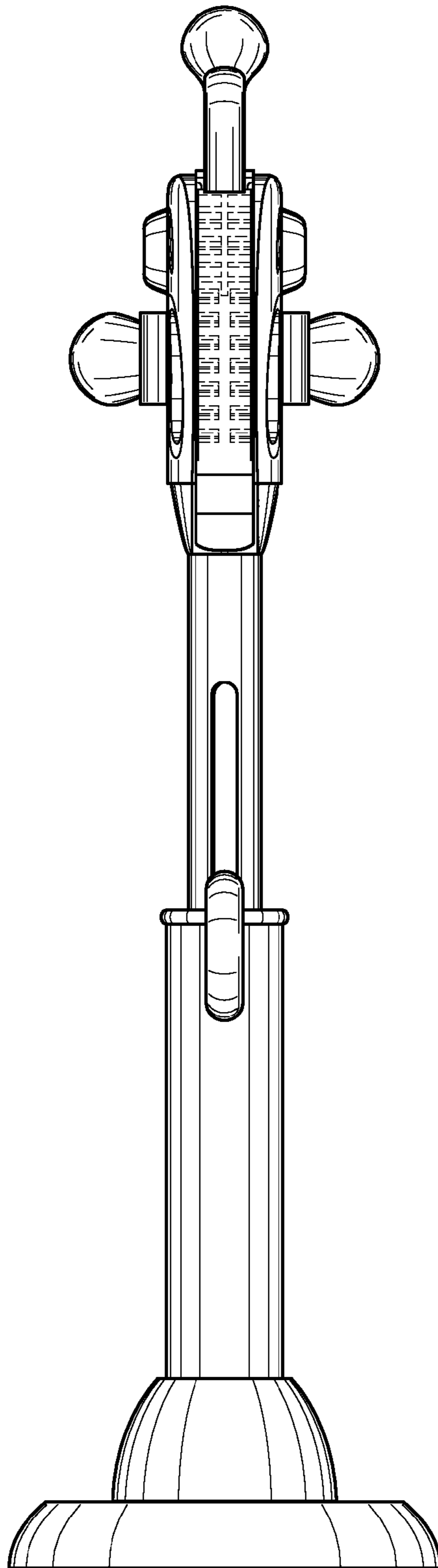


FIG. 3

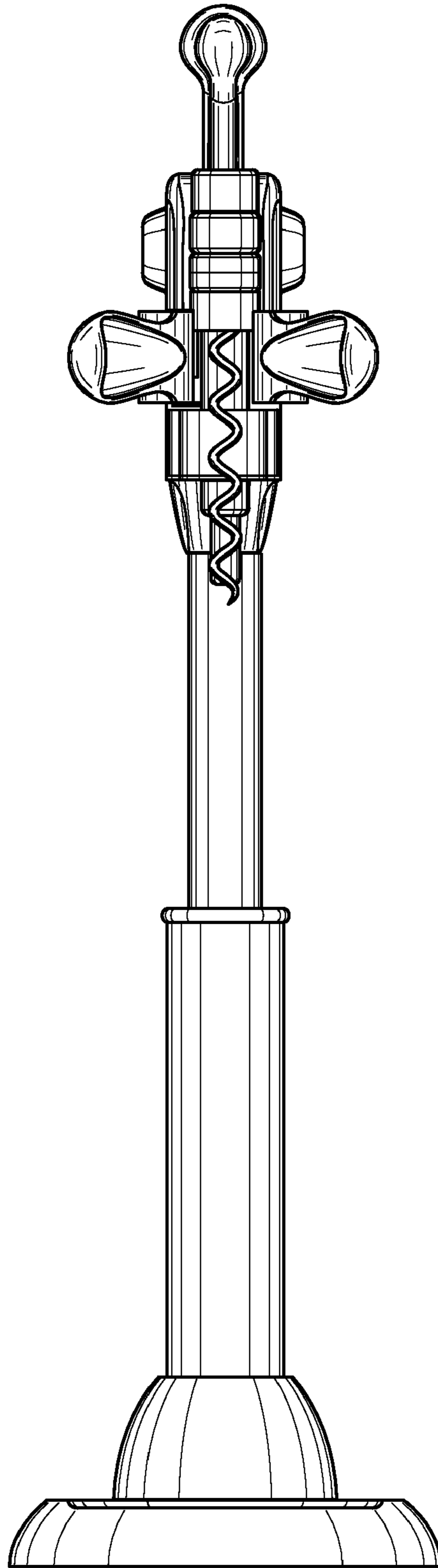


FIG. 4

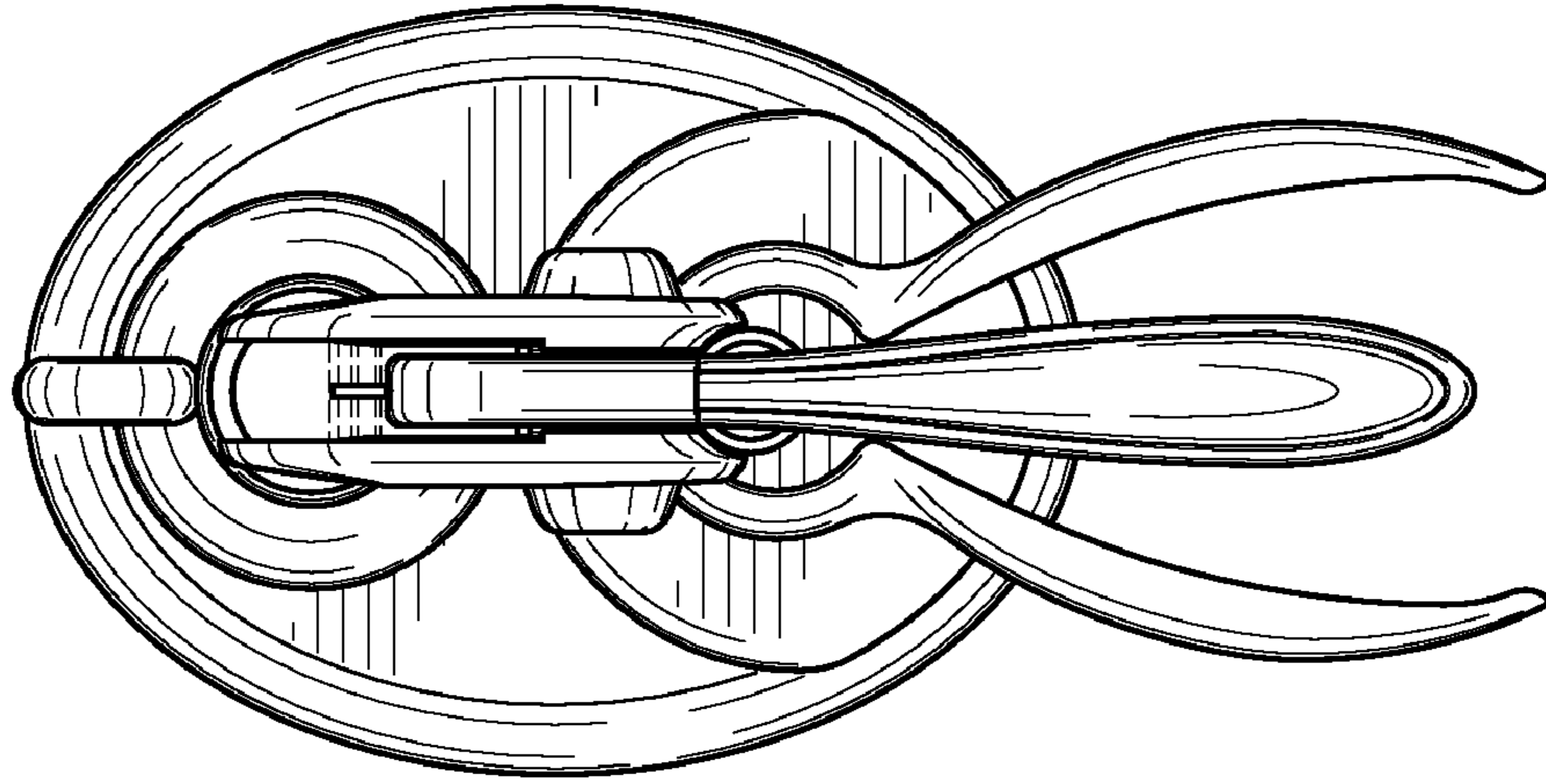


FIG. 5

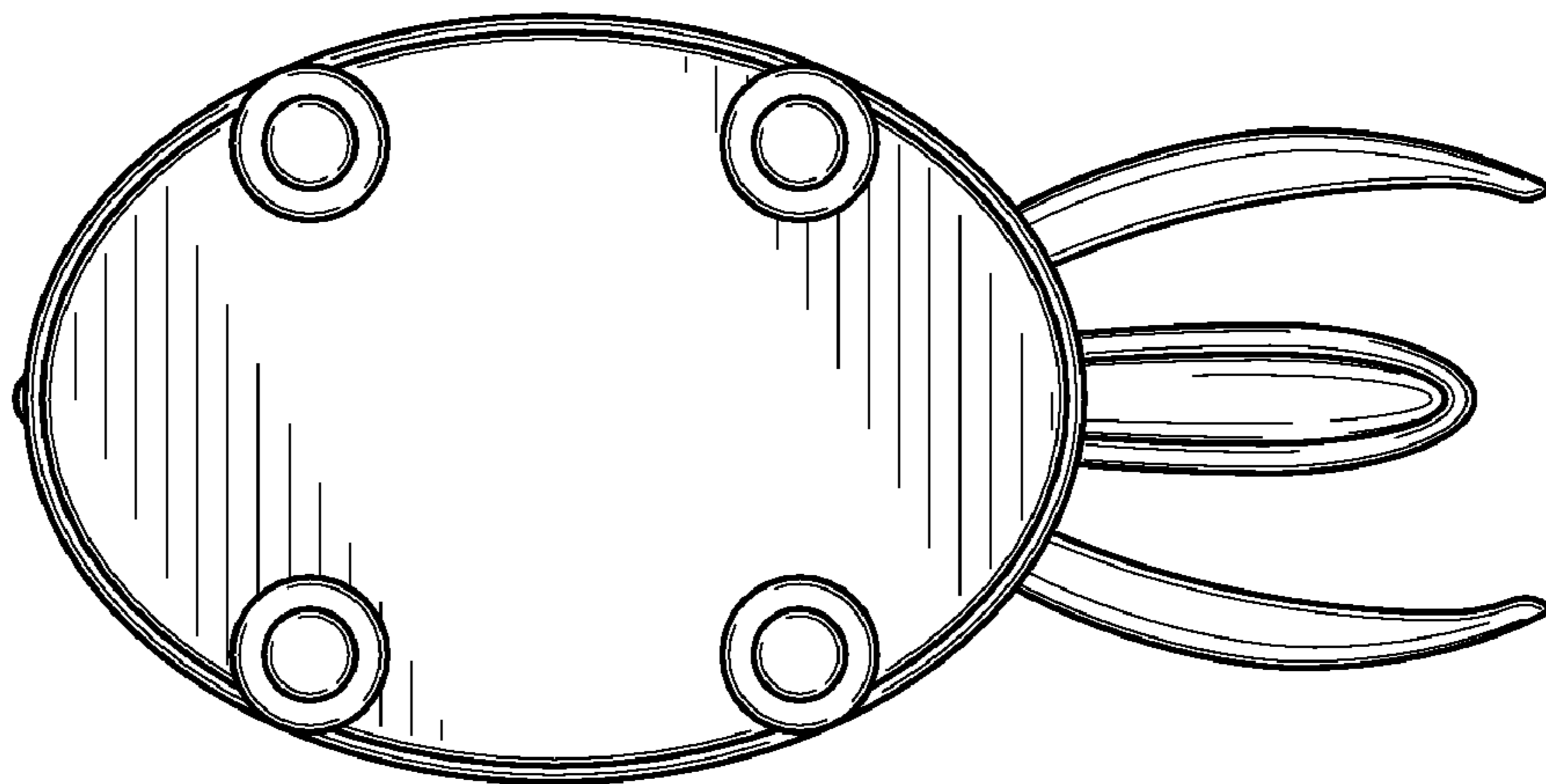


FIG. 6

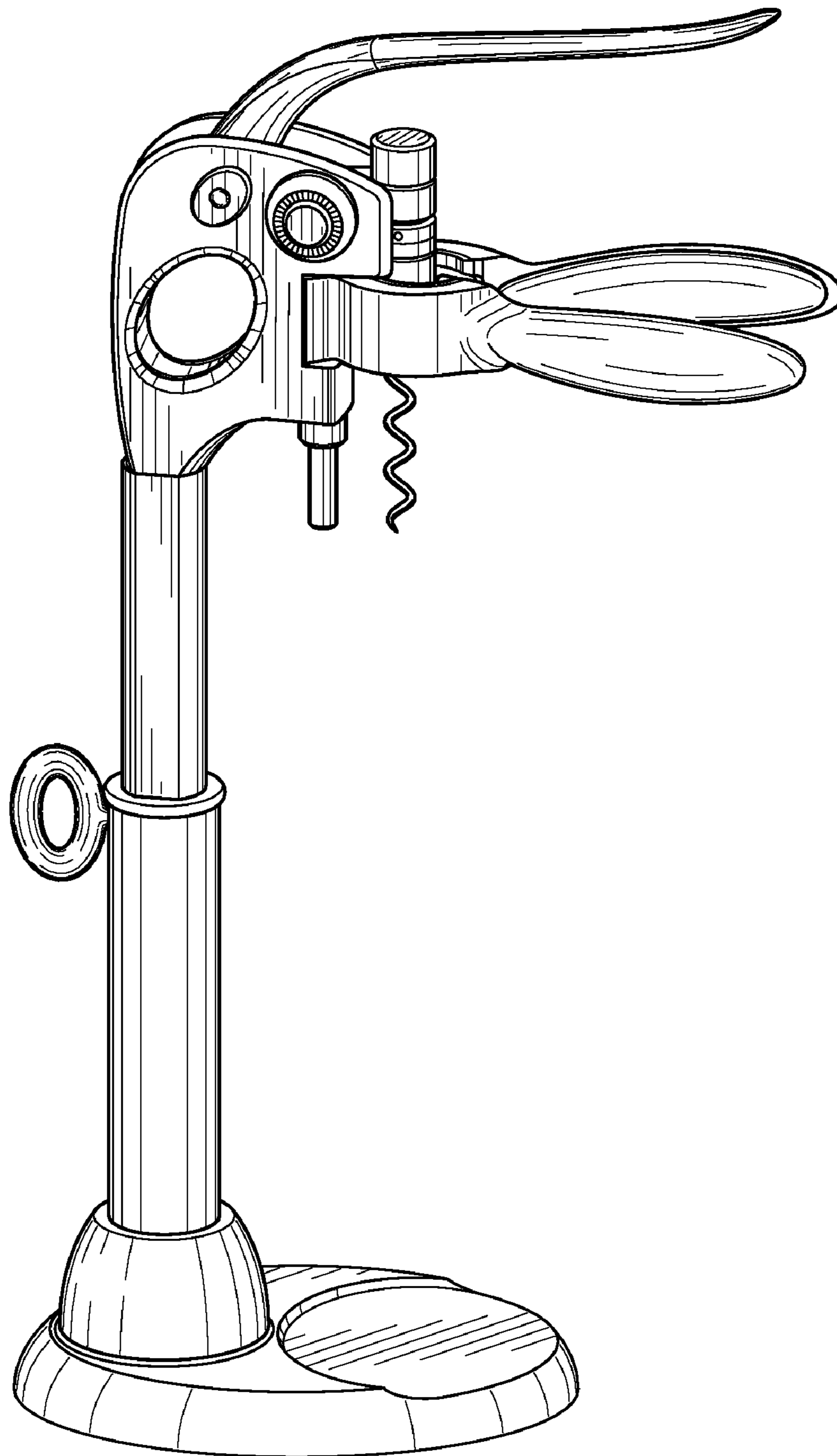


FIG. 7