

US00D546650S

(12) **United States Design Patent**  
**Liu**

(10) **Patent No.:** **US D546,650 S**

(45) **Date of Patent:** **\*\* Jul. 17, 2007**

(54) **TOOL**

(75) Inventor: **Hsi Pei Liu**, Ta-Li (TW)

(73) Assignee: **Chewren Industry Co., Ltd.**, Taichung Hsien (TW)

(\*\*) Term: **14 Years**

(21) Appl. No.: **29/255,651**

(22) Filed: **Mar. 11, 2006**

(51) **LOC (8) Cl.** ..... **08-05**

(52) **U.S. Cl.** ..... **D8/26; D8/105**

(58) **Field of Classification Search** ..... D8/17,  
D8/21-29, 81-87, 102-107, 98-99, 55, 93,  
D8/94; 81/60-63.2, 177.1, 177.85, 177.8,  
81/489, 125.1, 121.1, 119-120, 176.1, 186,  
81/177.9, 185.1, 176.2, 165, 170, 3.35, 58,  
81/3.45, 155; 206/378; 16/429, 441, 124.6;  
7/100, 138, 168, 157

See application file for complete search history.

(56) **References Cited**

**U.S. PATENT DOCUMENTS**

1,378,798	A *	5/1921	Kroh	.....	267/268
D342,433	S *	12/1993	Sorenson	.....	D8/107
5,320,004	A *	6/1994	Hsiao	.....	81/440
5,791,211	A *	8/1998	Bondhus et al.	.....	81/440
6,092,444	A *	7/2000	Hsiao	.....	81/440

6,119,560	A *	9/2000	Anderson et al.	.....	81/440
D468,987	S *	1/2003	Dreyfus et al.	.....	D8/105
D501,127	S *	1/2005	Rivera et al.	.....	D8/107
7,140,280	B2 *	11/2006	Hawkins et al.	.....	81/440

\* cited by examiner

*Primary Examiner*—Raphael Barkai  
*Assistant Examiner*—Randall H. Gholson  
(74) *Attorney, Agent, or Firm*—Banger Shia

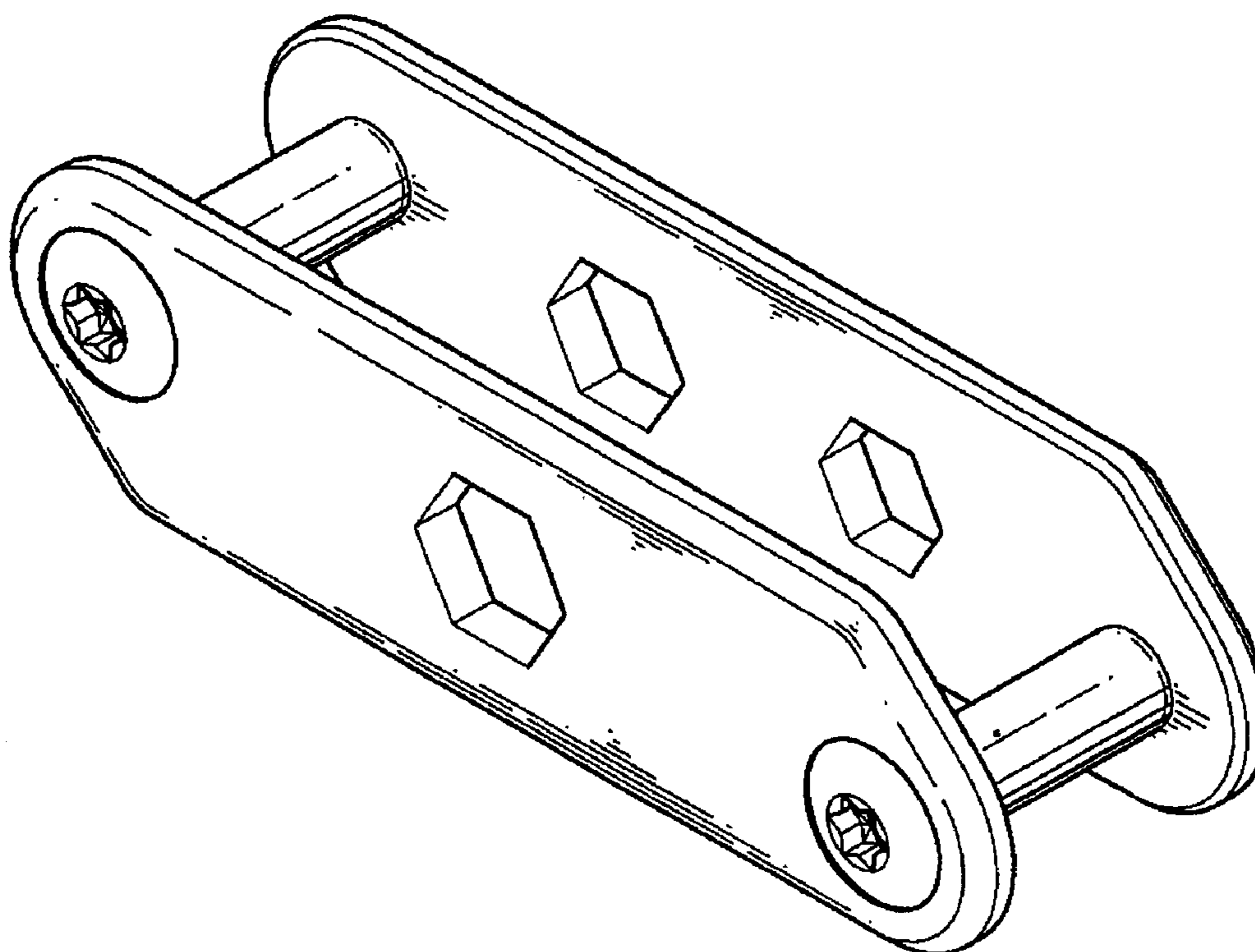
(57) **CLAIM**

The ornamental design for a tool, as shown and described.

**DESCRIPTION**

FIG. 1 is a perspective view of a tool showing my new design;  
FIG. 2 is a front elevational view thereof;  
FIG. 3 is a rear elevational view thereof;  
FIG. 4 is a left side elevational view thereof;  
FIG. 5 is a right side elevational view thereof;  
FIG. 6 is a top plan view thereof;  
FIG. 7 is a bottom plan view thereof; and,  
FIG. 8 is a perspective view thereof, the broken lines shown are for illustrative purposes only and from no part of the claimed design.

**1 Claim, 5 Drawing Sheets**



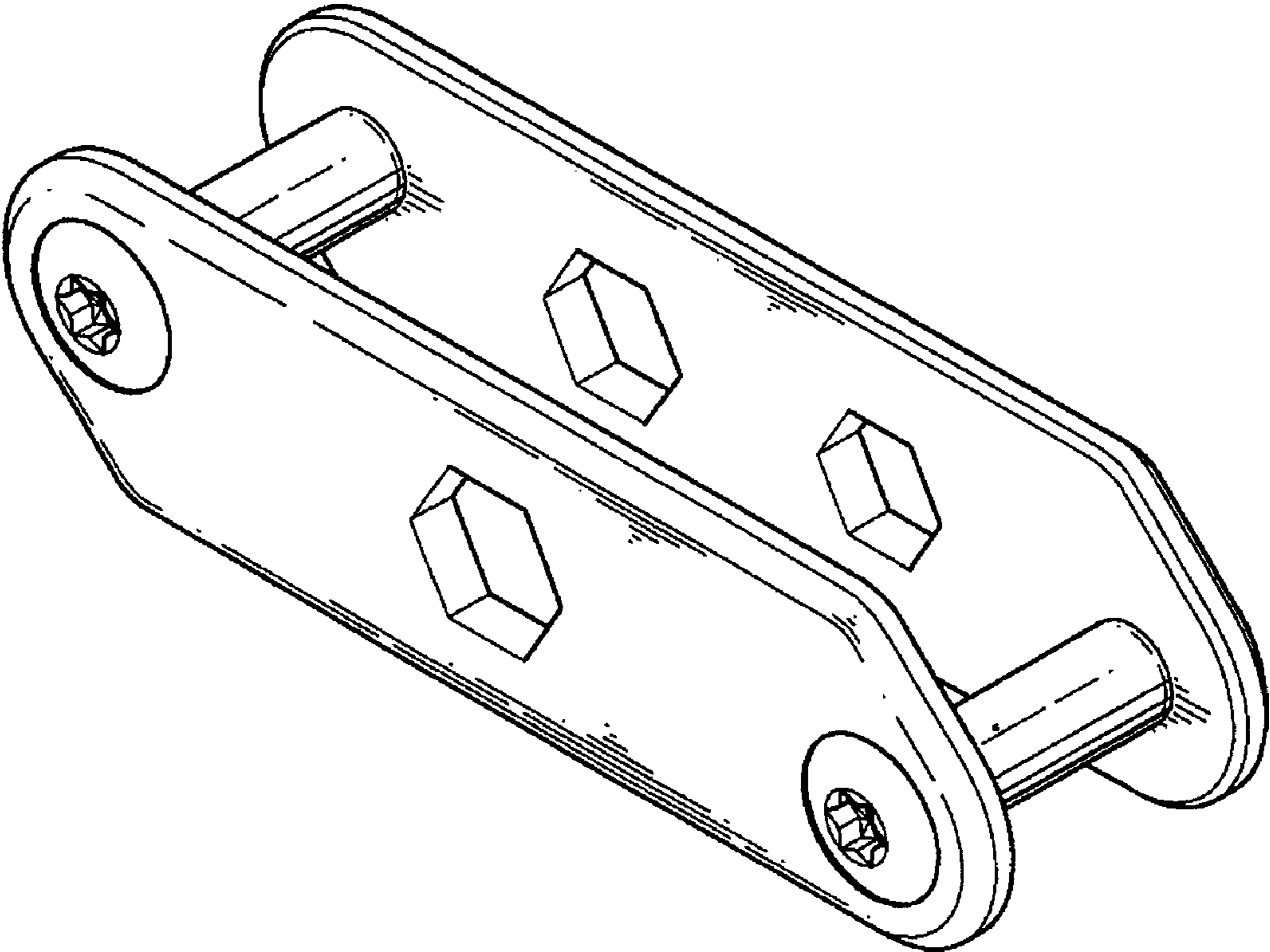


FIG. 1

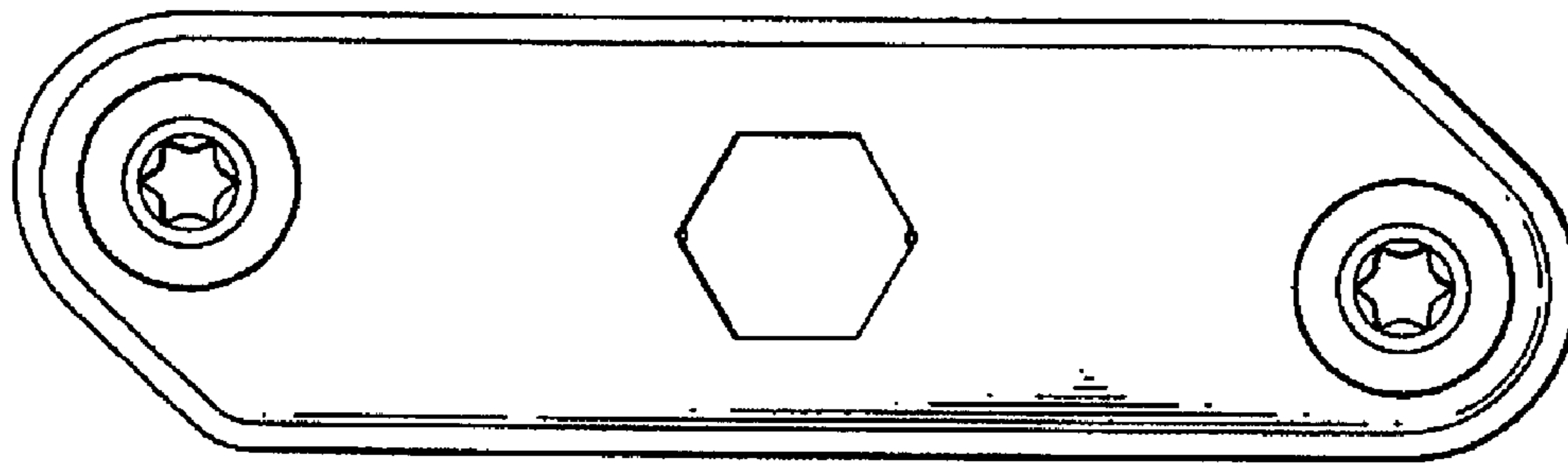


FIG. 2

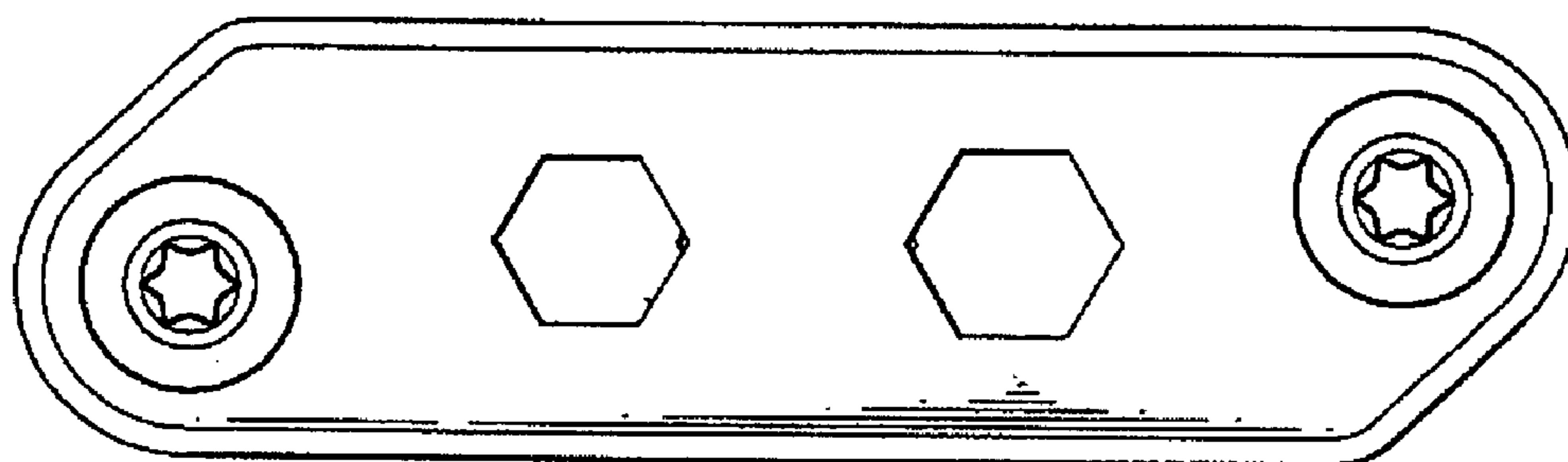


FIG. 3

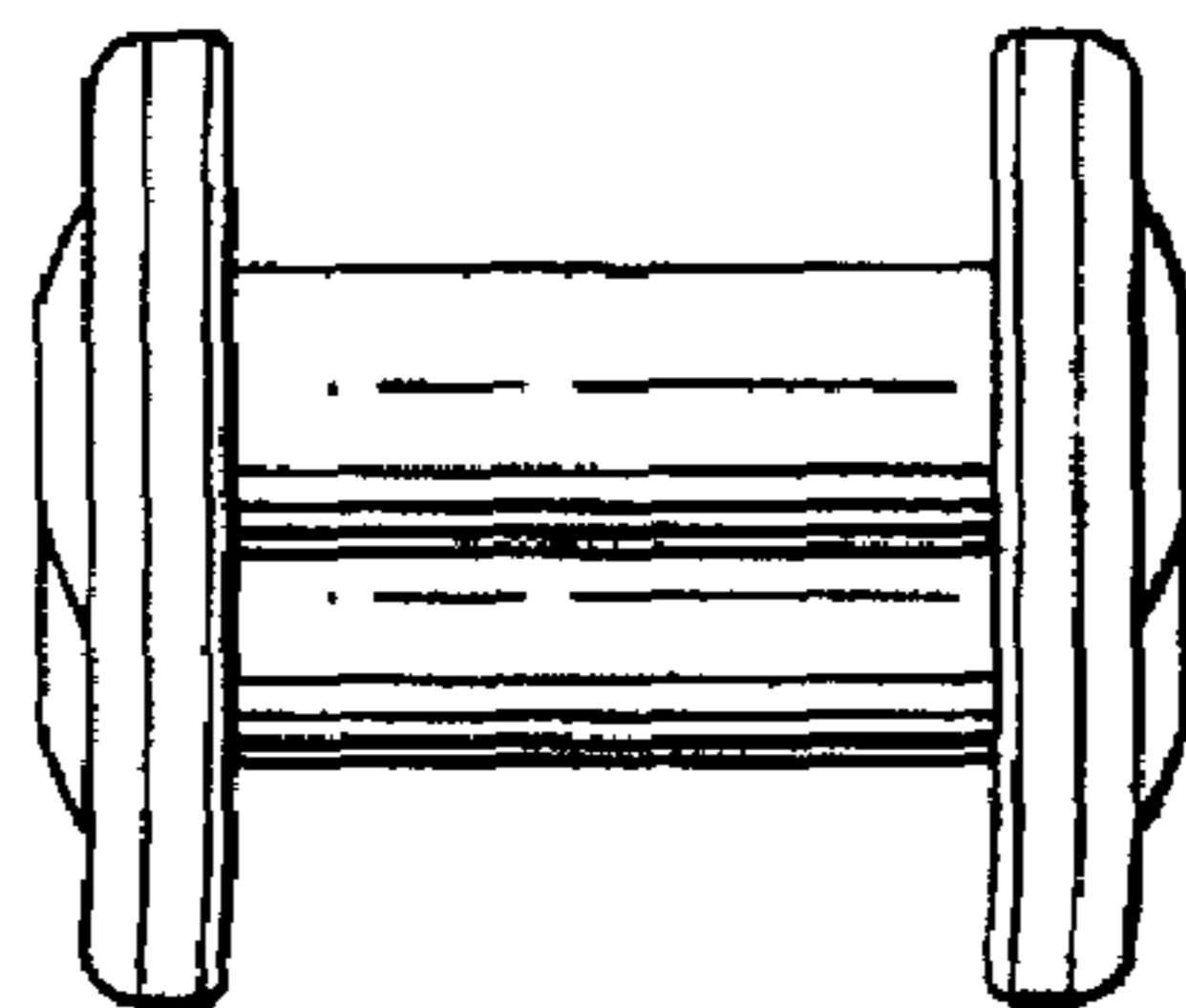


FIG. 4

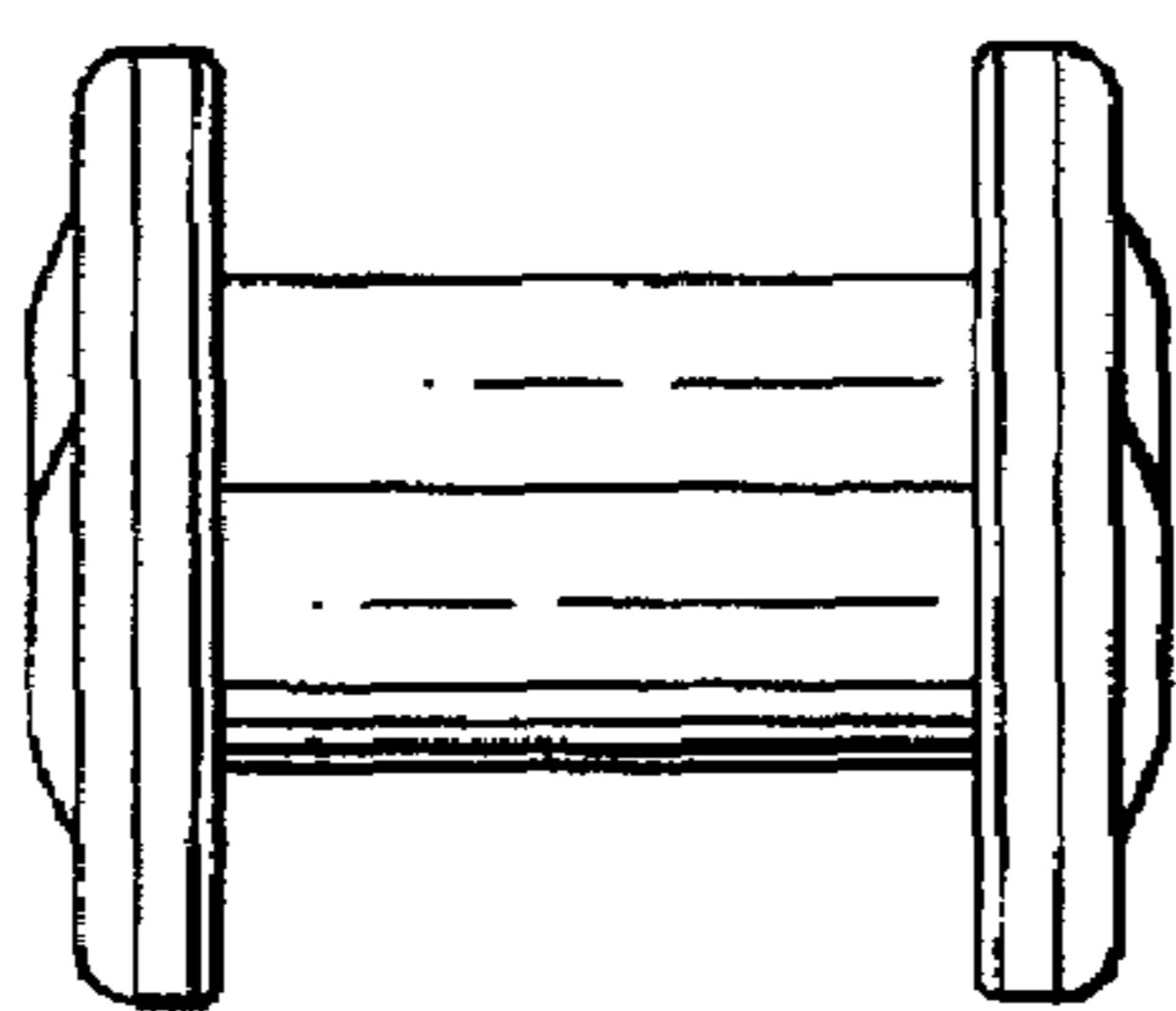


FIG. 5

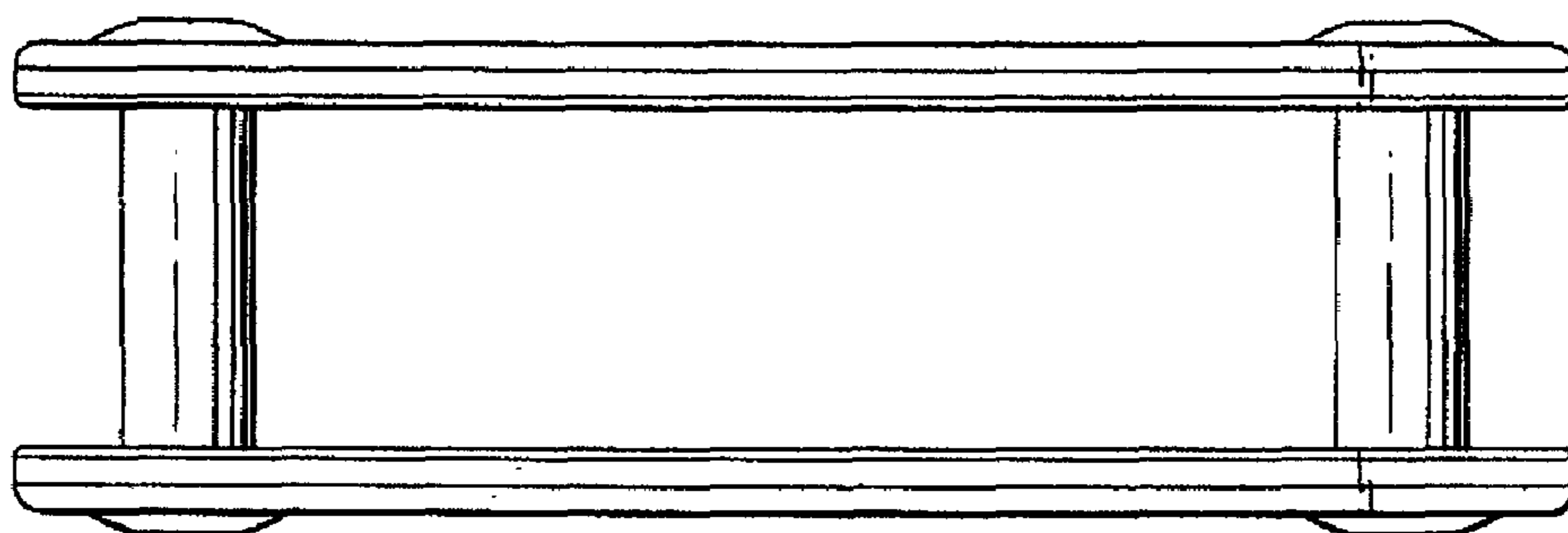


FIG. 6

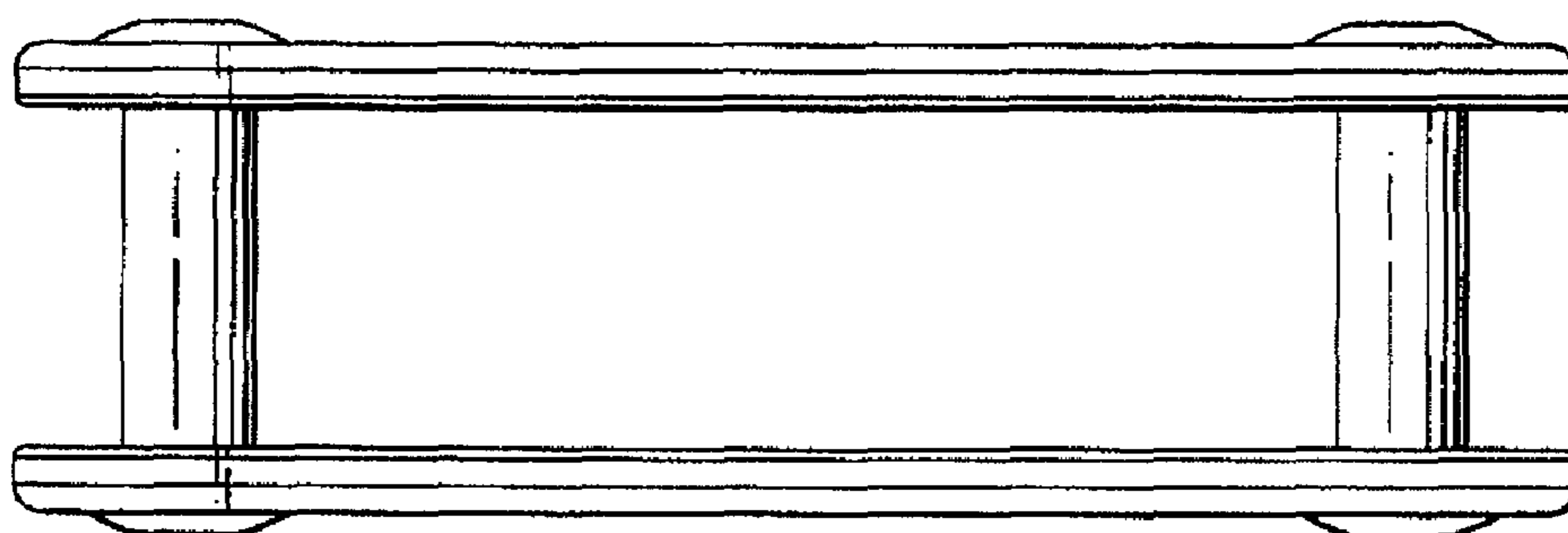


FIG. 7

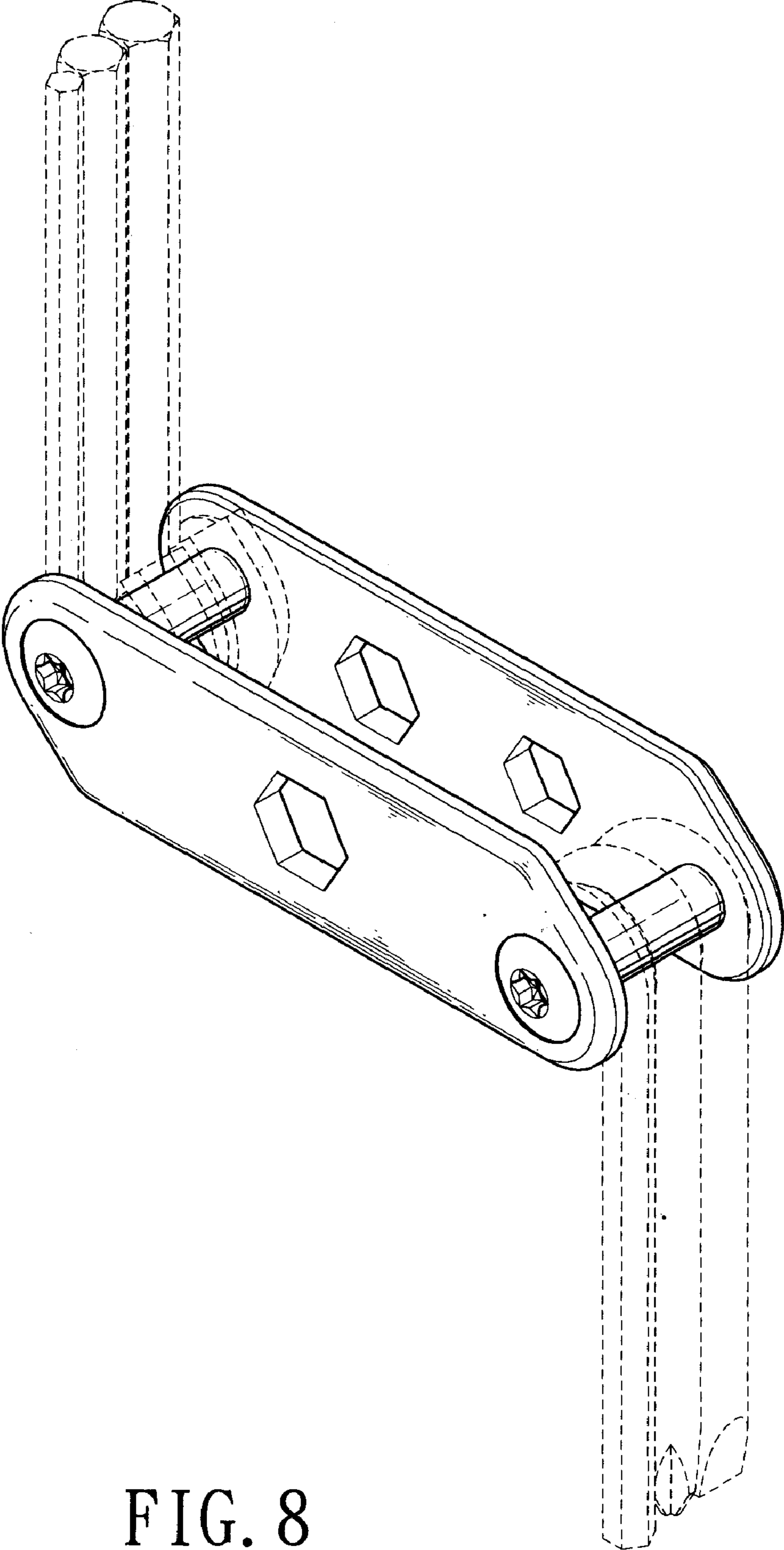


FIG. 8