



US00D546648S

(12) **United States Design Patent**  
**Gullicks et al.**

(10) **Patent No.:** **US D546,648 S**

(45) **Date of Patent:** **\*\* Jul. 17, 2007**

(54) **MEDIA CUTTING BLADE**

(75) Inventors: **Scott D. Gullicks**, Apple Valley, MN (US); **Joy A. Packard**, Somerset, WI (US); **Scott D. Pearson**, Woodbury, MN (US); **Gerald E. Mueller**, Eagan, MN (US)

(73) Assignee: **3M Innovative Properties Company**, St. Paul, MN (US)

(\*\*) Term: **14 Years**

(21) Appl. No.: **29/234,440**

(22) Filed: **Jul. 15, 2005**

(51) **LOC (8) Cl.** ..... **08-03**

(52) **U.S. Cl.** ..... **D8/20**

(58) **Field of Classification Search** ..... D8/14, D8/16, 18-20, 33, 40-43, 45, 70.1, 90-92, D8/95, 98, 99, 102; D18/34.3, 56, 57; D19/65; D22/117-118; D27/195, 196; D99/99; 30/166.3, 30/289-291, 293, 294, 314, 320; 80/488  
See application file for complete search history.

(56) **References Cited**

**U.S. PATENT DOCUMENTS**

88,024	A *	3/1869	Ferren	30/293
117,588	A *	8/1871	Woods	30/289
343,121	A *	6/1886	Gallinger	30/290
2,274,978	A	3/1942	Currier	
2,294,018	A	8/1942	Borst	
2,550,934	A *	5/1951	Perkins	30/289
2,610,399	A	9/1952	Adams et al.	
3,365,798	A	1/1968	Cunningham	
3,610,246	A *	10/1971	Salmon	30/294
3,824,688	A	7/1974	Goffe	
3,831,274	A *	8/1974	Horrocks	30/314
3,835,536	A	9/1974	Marcoux	
4,001,934	A	1/1977	Bell	

4,106,196	A	8/1978	Smithline	
D262,837	S *	2/1982	Buffington	D8/14
4,581,823	A	4/1986	Gilman	
4,631,769	A *	12/1986	White	D8/41
D296,656	S *	7/1988	Johnson, Sr.	D8/16
D338,607	S *	8/1993	Anderson	D8/98

(Continued)

**FOREIGN PATENT DOCUMENTS**

DE	3614860	A1	11/1987
JP	2001-62162		3/2001

(Continued)

**OTHER PUBLICATIONS**

"Film & Sheet Safety Cutters," Martor USA [on line], [retrieved from the internet Apr. 11, 2005], URL <<http://www.martorusa.com/s.nl/sc.2/category.8/f>>, pp. 1-4.

(Continued)

*Primary Examiner*—Robert M. Spear  
*Assistant Examiner*—Garth Rademaker  
(74) *Attorney, Agent, or Firm*—Trisha D. Adamson

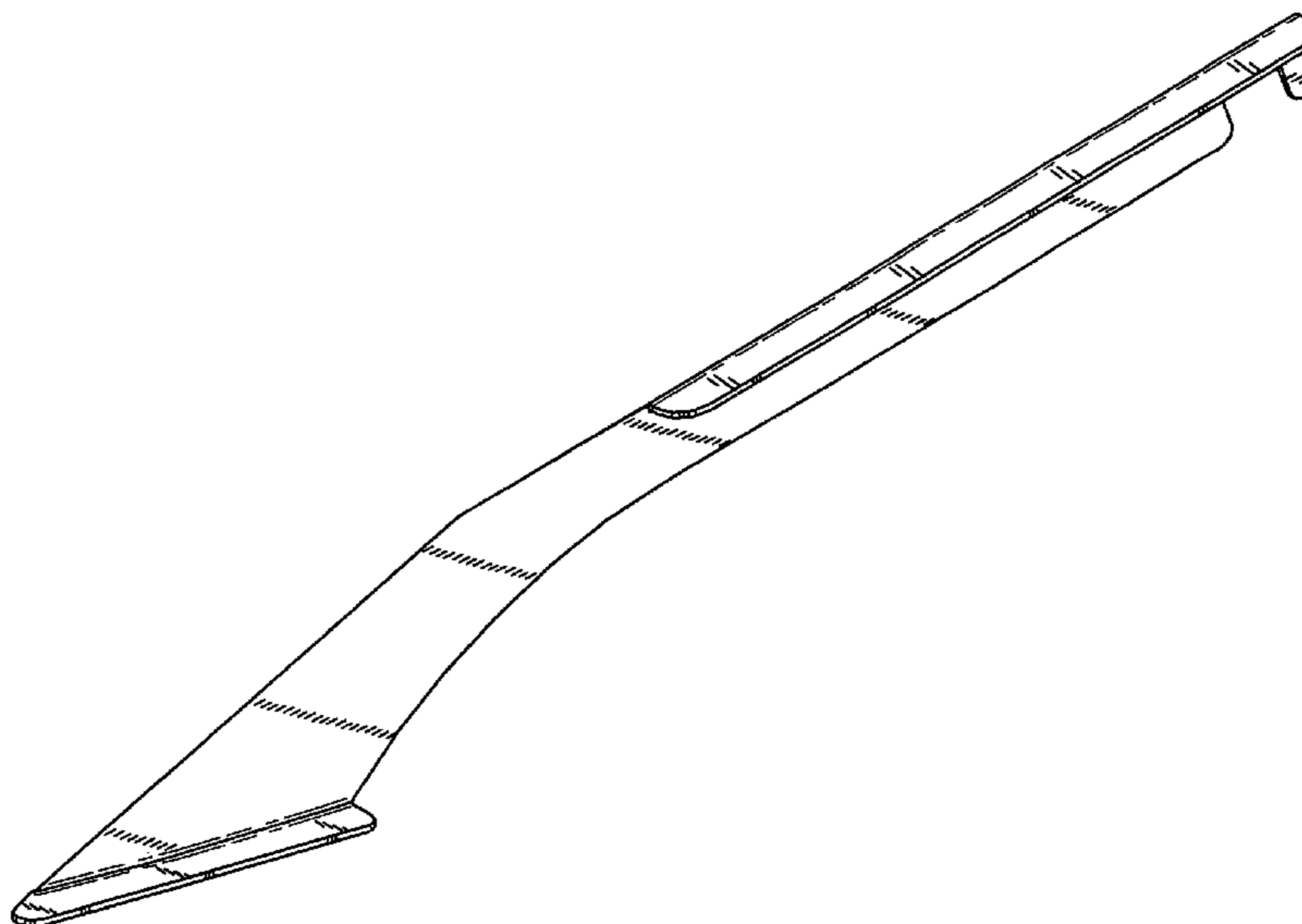
(57) **CLAIM**

The ornamental design for a media cutting blade, as shown and described.

**DESCRIPTION**

FIG. 1 is a perspective view of a media cutting blade;  
FIG. 2 is a right side view thereof;  
FIG. 3 is a left side view thereof;  
FIG. 4 is a rear view thereof;  
FIG. 5 is a front view thereof;  
FIG. 6 is a bottom view thereof; and,  
FIG. 7 is a top view thereof.

**1 Claim, 3 Drawing Sheets**



# US D546,648 S

Page 2

---

## U.S. PATENT DOCUMENTS

5,480,080 A 1/1996 Ferguson  
5,638,603 A 6/1997 Li  
D390,074 S \* 2/1998 Lasecki ..... D8/14  
5,724,738 A 3/1998 Ballarini  
5,737,842 A 4/1998 Freedman  
D397,287 S \* 8/1998 Hergott et al. .... D8/367  
5,809,656 A 9/1998 Lindberg  
6,003,181 A 12/1999 Wenk  
D423,318 S 4/2000 Lacy  
D424,397 S 5/2000 Wiseman  
6,615,495 B1 9/2003 Evens et al.  
D481,609 S 11/2003 Perlmutter et al.  
6,941,664 B1 9/2005 Engle et al.  
2006/0236550 A1\* 10/2006 Gullicks et al. .... 30/294

## FOREIGN PATENT DOCUMENTS

JP 2001-198368 7/2001

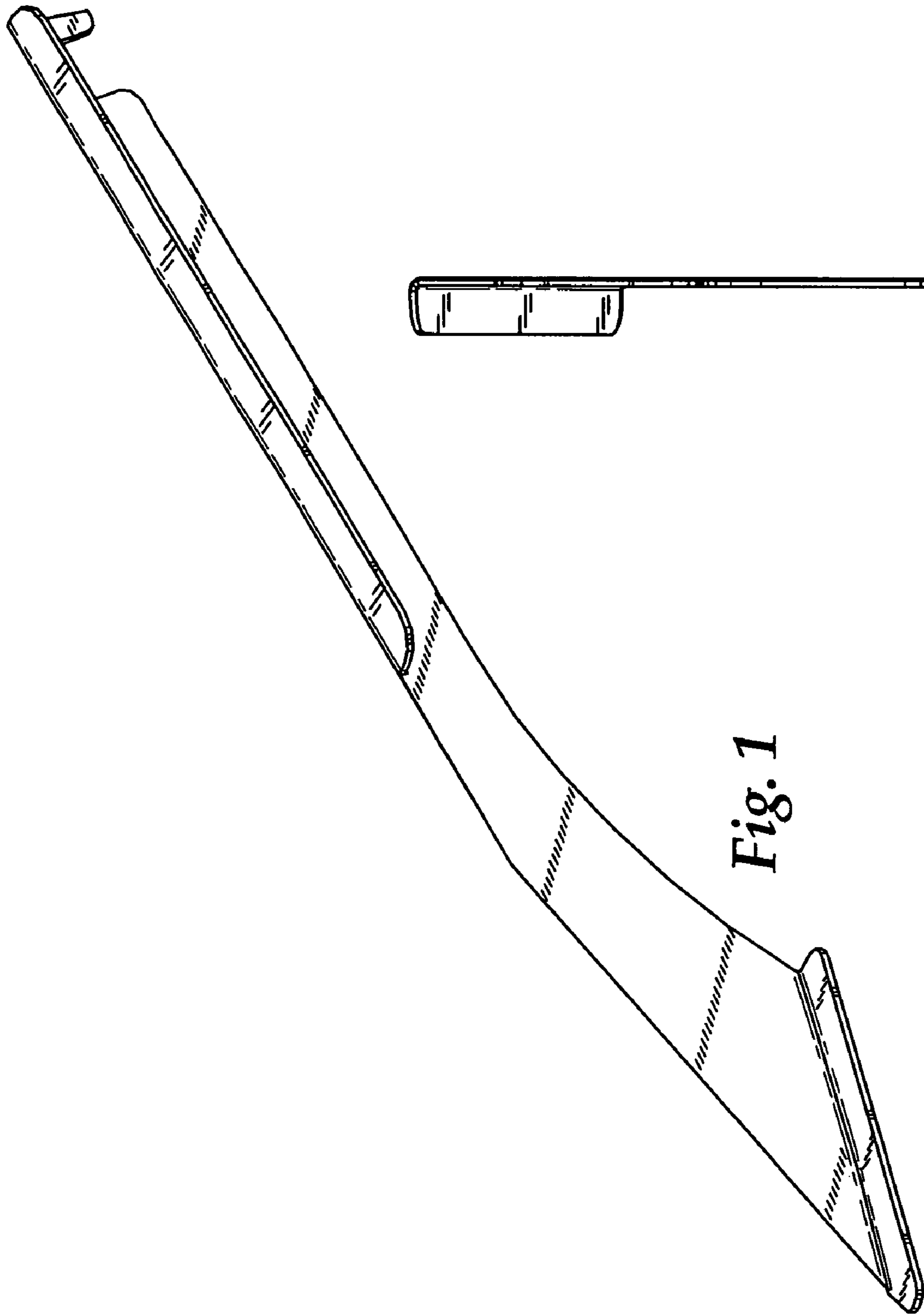
## OTHER PUBLICATIONS

“Snitty (On Card)—43037,” Martor USA [on line], [retrieved from the internet Apr. 7, 2005], URL <<http://www.martorusa.com/s.nl/sc.2/category.8/it.A/id.640/f>>, pp. 1-2 and 1.

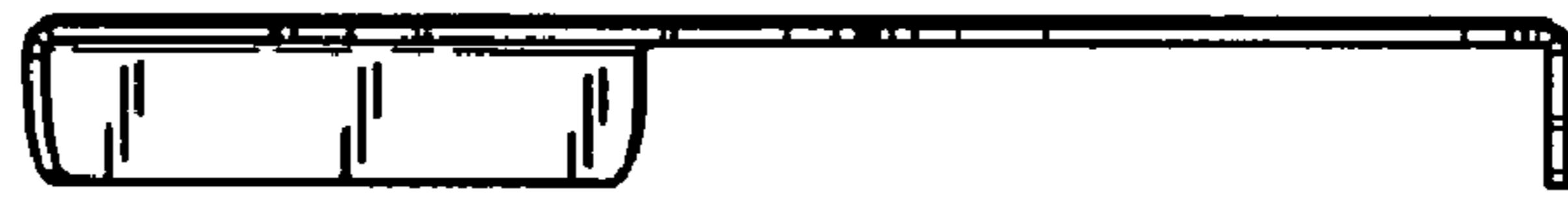
“The Amazing Open X®,” [on line], [retrieved from the internet Jun. 20, 2005], URL <<http://www.myopenx.com/guarantee.htm>>, pp. 1.

“World’s Best Gift Wrap cutter” New Design Inc., Vernon Hills, IL 60061, brochure, pp. 1-4 (Admitted Prior Art) (Undated).

\* cited by examiner



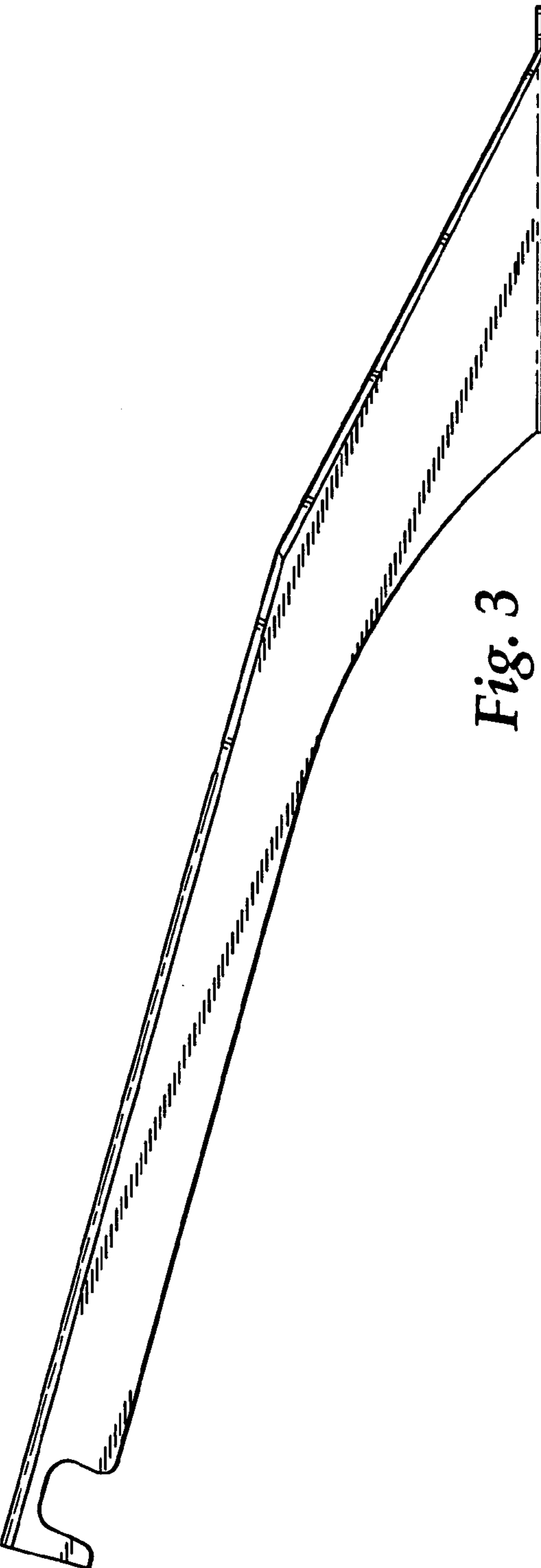
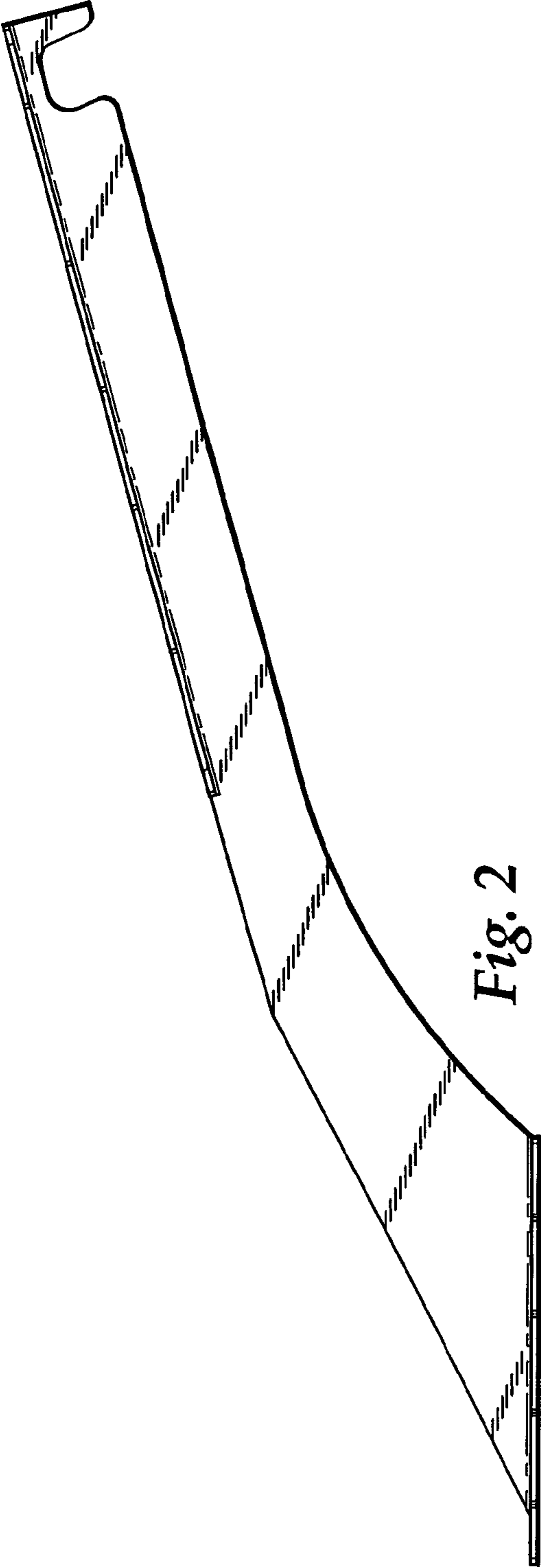
*Fig. 1*



*Fig. 4*



*Fig. 5*





*Fig. 6*



*Fig. 7*