

US00D546647S

(12) **United States Design Patent** (10) **Patent No.:** **US D546,647 S**  
**Gullicks et al.** (45) **Date of Patent:** **\*\* Jul. 17, 2007**

(54) **MEDIA CUTTING BLADE**  
(75) Inventors: **Scott D. Gullicks**, Apple Valley, MN (US); **Joy A. Packard**, Somerset, WI (US); **Scott D. Pearson**, Woodbury, MN (US); **Gerald E. Mueller**, Eagan, MN (US)  
(73) Assignee: **3M Innovative Properties Company**, St. Paul, MN (US)

4,631,769 A \* 12/1986 White ..... D8/41  
D296,656 S \* 7/1988 Johnson, Sr. .... D8/16  
D338,607 S \* 8/1993 Anderson ..... D8/98  
5,480,080 A 1/1996 Ferguson  
5,638,603 A 6/1997 Li  
D390,074 S \* 2/1998 Lasecki ..... D8/14  
5,724,738 A 3/1998 Ballarini  
5,737,842 A 4/1998 Freedman  
D397,287 S \* 8/1998 Hergott et al. .... D8/367

(Continued)

(\*\*) Term: **14 Years**

FOREIGN PATENT DOCUMENTS

(21) Appl. No.: **29/234,266**

DE 3614860 A1 11/1987  
JP 2001-62162 3/2001

(22) Filed: **Jul. 15, 2005**

(Continued)

(51) **LOC (8) Cl.** ..... **08-03**  
(52) **U.S. Cl.** ..... **D8/20**  
(58) **Field of Classification Search** ..... D8/14,  
D8/16, 18-20, 33, 40-43, 45, 70.1, 90-92,  
D8/95, 98, 99, 102; D18/34.3, 56, 57; D19/65;  
D22/117-118; D27/195, 196; D99/99; 30/166.3,  
30/289-291, 293, 294, 314, 320; 81/488  
See application file for complete search history.

OTHER PUBLICATIONS

“Film & Sheet Safety Cutters,” Martor USA [on line], [retrieved from the internet Apr. 11, 2005], URL <<http://www.martorusa.com/s.nl/sc.2/category.8/f>>, pp. 1-4.

(Continued)

*Primary Examiner*—Robert M. Spear  
*Assistant Examiner*—Garth Rademaker  
(74) *Attorney, Agent, or Firm*—Trisha D. Adamson

(56) **References Cited**

(57) **CLAIM**

U.S. PATENT DOCUMENTS

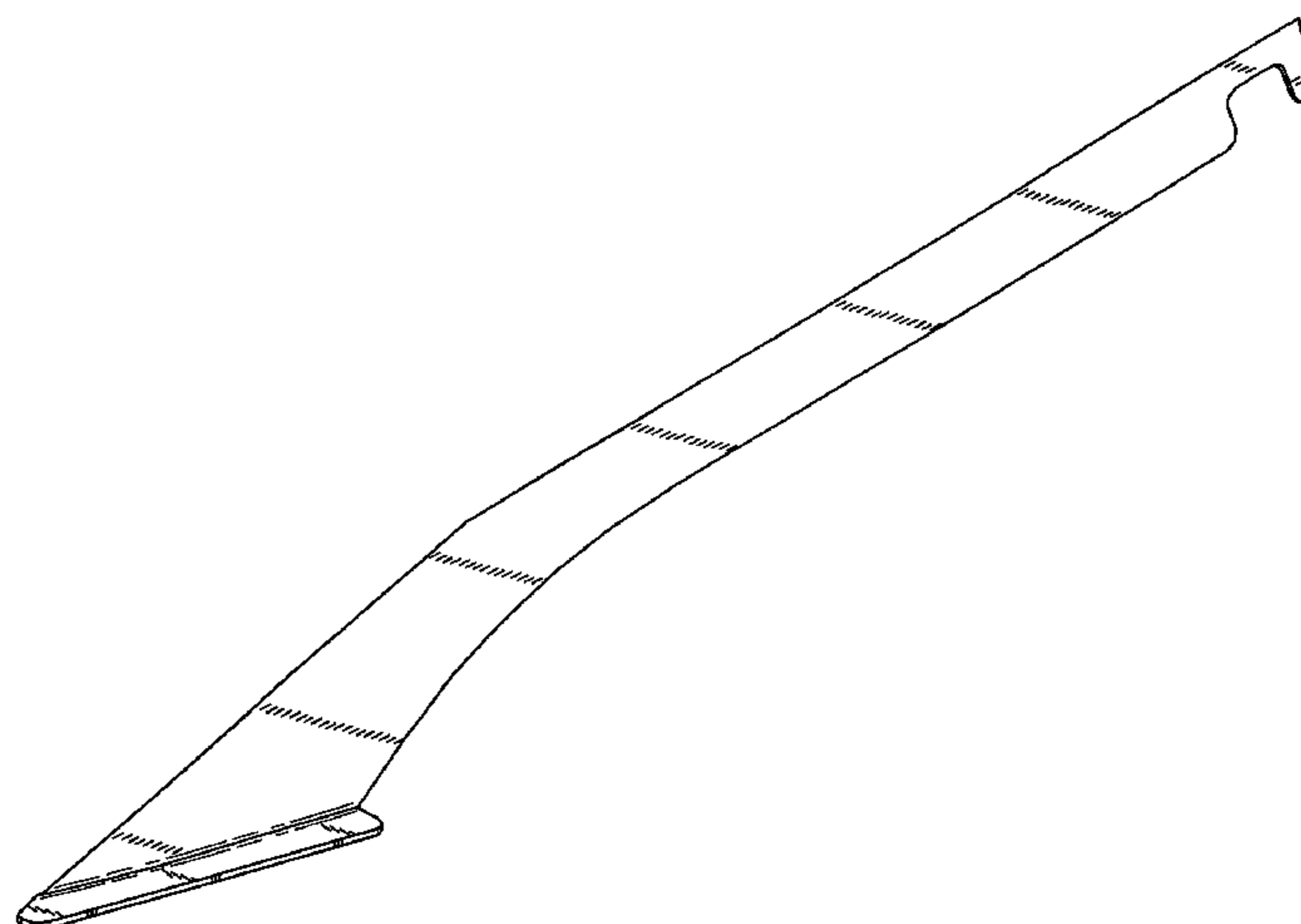
88,024 A \* 3/1869 Ferren ..... 30/293  
117,588 A \* 8/1871 Woods ..... 30/289  
343,121 A \* 6/1886 Gallinger ..... 30/290  
2,274,978 A 3/1942 Currier  
2,294,018 A 8/1942 Borst  
2,550,934 A \* 5/1951 Perkins ..... 30/289  
2,610,399 A 9/1952 Adams et al.  
3,365,798 A 1/1968 Cunningham  
3,610,246 A \* 10/1971 Salmon ..... 30/294  
3,824,688 A 7/1974 Goffe  
3,831,274 A \* 8/1974 Horrocks ..... 30/314  
3,835,536 A 9/1974 Marcoux  
4,001,934 A 1/1977 Bell  
4,106,196 A 8/1978 Smithline  
D262,837 S \* 2/1982 Buffington ..... D8/14  
4,581,823 A 4/1986 Gilman

The ornamental design for a media cutting blade, as shown and described.

**DESCRIPTION**

FIG. 1 is a perspective view of a media cutting blade;  
FIG. 2 is a right side view thereof;  
FIG. 3 is a left side view thereof;  
FIG. 4 is a rear view thereof;  
FIG. 5 is a front view thereof;  
FIG. 6 is a bottom view thereof; and,  
FIG. 7 is a top view thereof.

**1 Claim, 3 Drawing Sheets**



# US D546,647 S

Page 2

---

## U.S. PATENT DOCUMENTS

5,809,656 A 9/1998 Lindberg  
6,003,181 A 12/1999 Wenk  
D423,318 S 4/2000 Lacy  
D424,397 S 5/2000 Wiseman  
6,615,495 B1 9/2003 Evens et al.  
D481,609 S 11/2003 Perlmutter et al.  
6,941,664 B1 9/2005 Engle et al.  
2006/0236550 A1\* 10/2006 Gullicks et al. .... 30/294

## FOREIGN PATENT DOCUMENTS

JP 2001-198368 7/2001

## OTHER PUBLICATIONS

“Snitty (On Card)—43037,” Martor USA [on line], [retrieved from the internet Apr. 7, 2005], URL <<http://www.martorusa.com/s.nl/sc.2/category.8/it.A/id.640/f>>, pp. 1-2 and 1.

“The Amazing Open X®,” [on line], [retrieved from the internet Jun. 20, 2005], URL <<http://www.myopenx.com/guarantee.htm>>, pp. 1.

“World’s Best Gift Wrap Cutter” New Design Inc., Vernon Hills, IL 60061, brochure, pp. 1-4. (Admitted Prior Art) (Undated).

\* cited by examiner

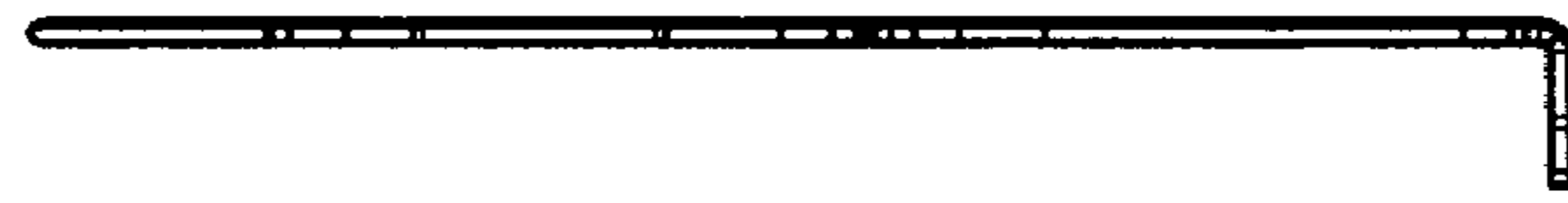
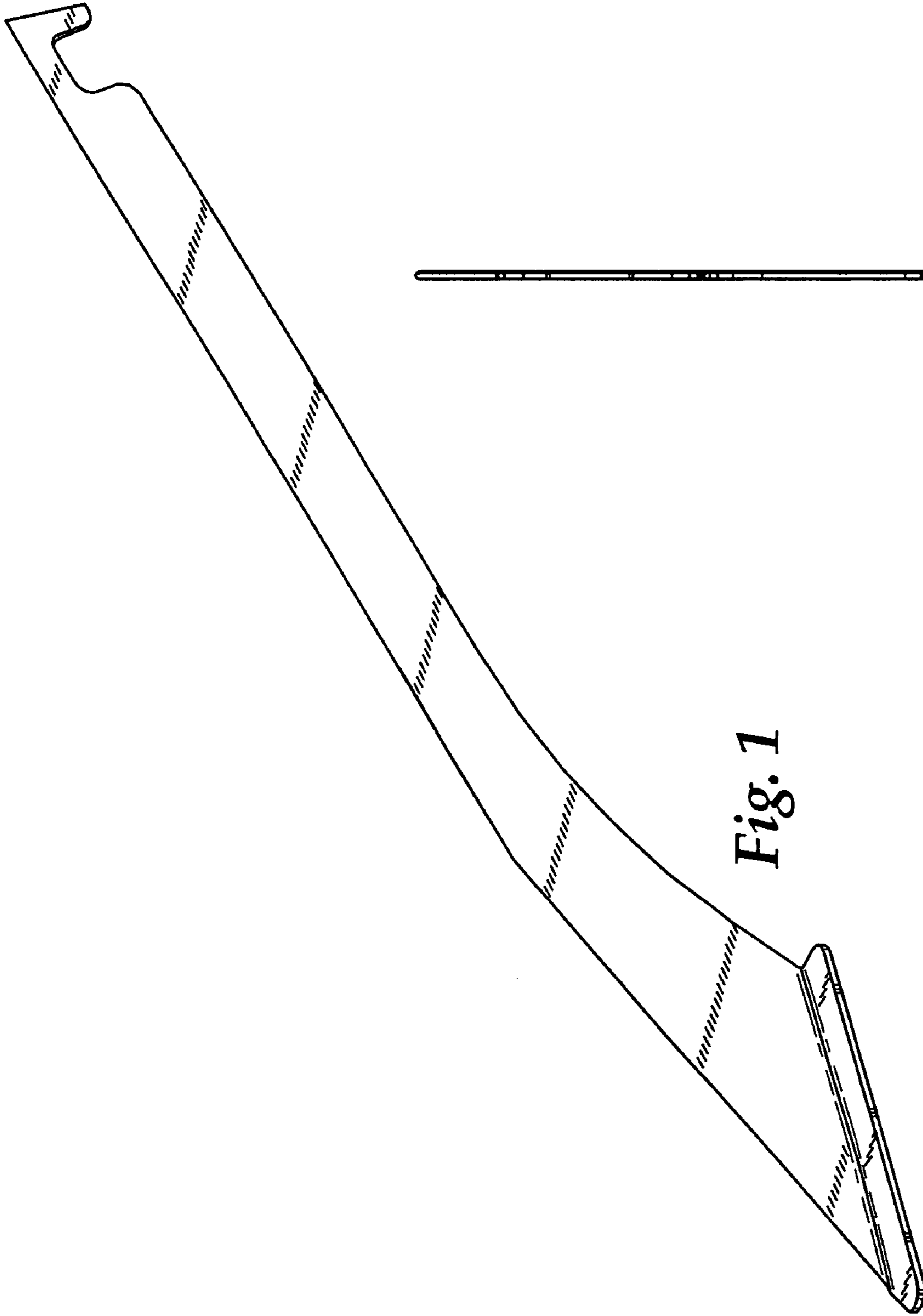


Fig. 1

Fig. 4

Fig. 5

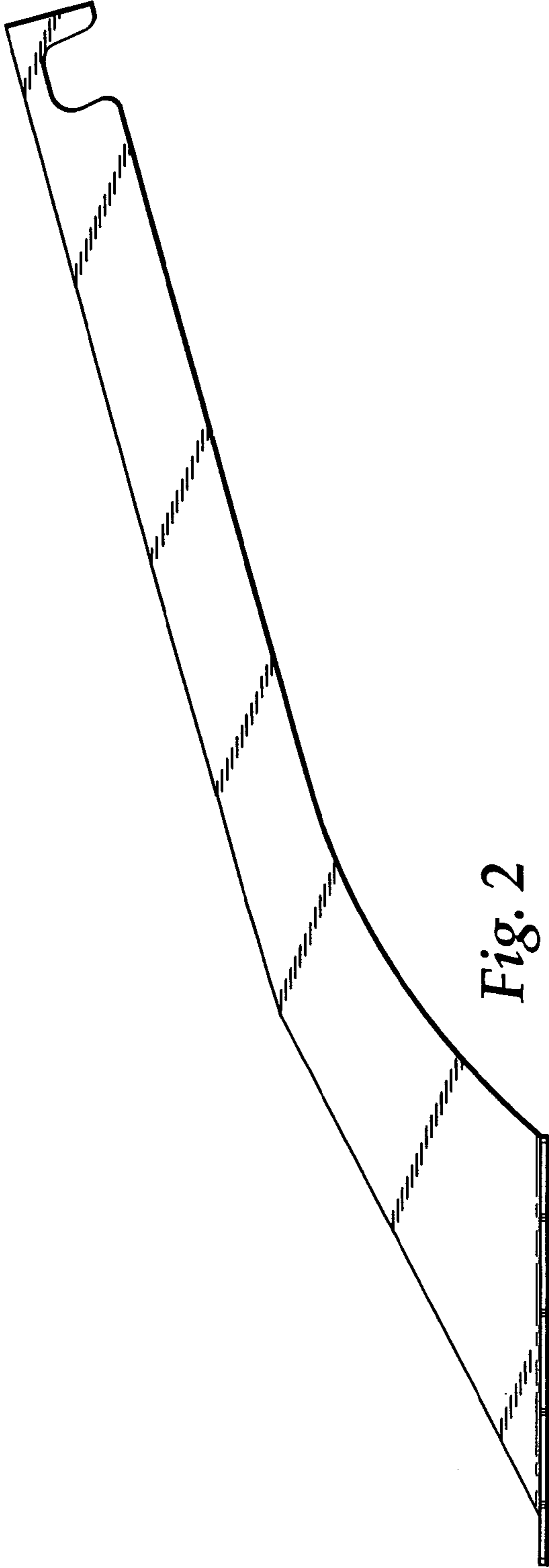


Fig. 2

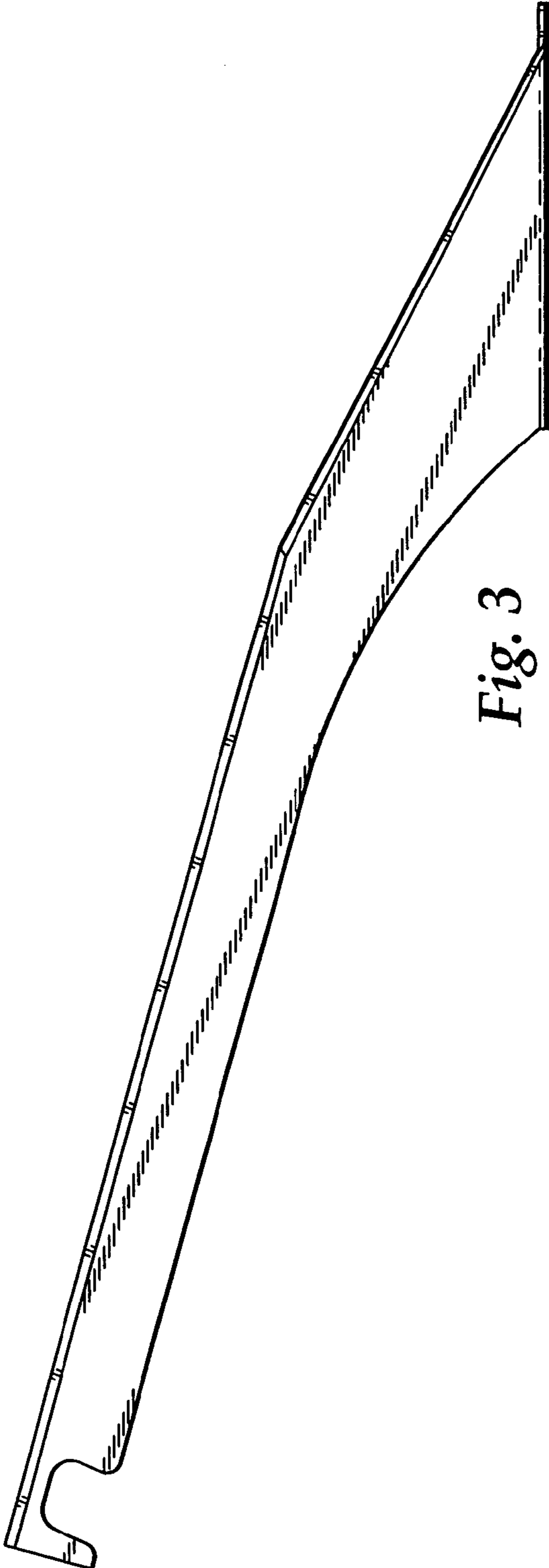
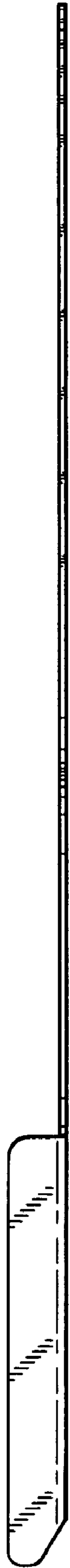


Fig. 3



*Fig. 6*



*Fig. 7*