



US00D546645S

(12) **United States Design Patent**
Rosine et al.

(10) **Patent No.:** **US D546,645 S**

(45) **Date of Patent:** **** Jul. 17, 2007**

(54) **SHOCK ABSORBING SHOVEL**

(75) Inventors: **Lyle A. Rosine**, Oswego, IL (US);
Torrence Anderson, Batavia, IL (US)

(73) Assignee: **Suncast Corporation**, Batavia, IL (US)

(**) Term: **14 Years**

(21) Appl. No.: **29/254,361**

(22) Filed: **Feb. 22, 2006**

(51) **LOC (8) Cl.** **08-01**

(52) **U.S. Cl.** **D8/10**

(58) **Field of Classification Search** D8/10;
7/116; 294/53.5, 54.5

See application file for complete search history.

(56) **References Cited**

U.S. PATENT DOCUMENTS

D328,553 S *	8/1992	Norton et al.	D8/10
D393,990 S *	5/1998	Whitehead et al.	D8/10
D393,991 S *	5/1998	Tisbo et al.	D8/10
D405,330 S *	2/1999	Whitehead et al.	D8/10
D409,886 S *	5/1999	Whitehead et al.	D8/10
D417,825 S *	12/1999	Tisbo et al.	D8/10
D434,287 S *	11/2000	Spear	D8/10
6,412,841 B1 *	7/2002	Loraas et al.	294/51
D477,755 S *	7/2003	Markley	D8/10

D487,680 S *	3/2004	Sickler et al.	D8/10
7,032,942 B2 *	4/2006	Stuart	294/58
7,118,145 B1 *	10/2006	Rosine et al.	294/57

* cited by examiner

Primary Examiner—Holly H. Baynham

Assistant Examiner—Sheryl Friedman

(74) *Attorney, Agent, or Firm*—McHale & Slavin, P.A.

(57) **CLAIM**

The ornamental design for a shock absorbing shovel, as shown and described.

DESCRIPTION

FIG. 1 is a front perspective view of the shock absorbing shovel of the instant invention;

FIG. 2 is a front view thereof;

FIG. 3 is a rear view thereof;

FIG. 4 is a left side view thereof;

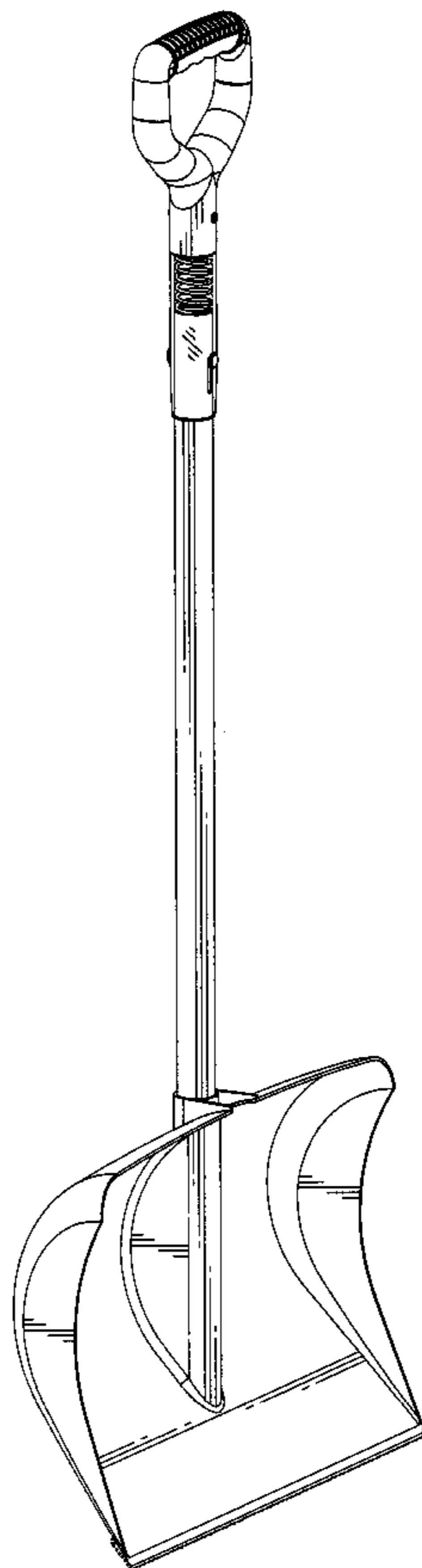
FIG. 5 is a right side view thereof;

FIG. 6 is a top view thereof; and,

FIG. 7 is a bottom view thereof.

The broken lines are for illustrative purposes only and form no part of the claimed design.

1 Claim, 5 Drawing Sheets



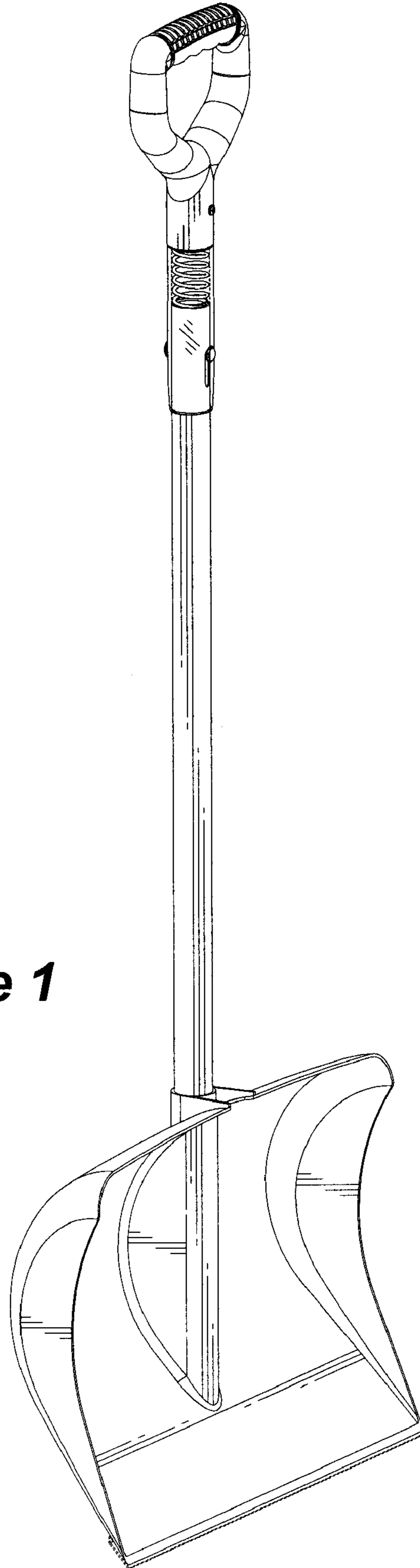


Figure 1

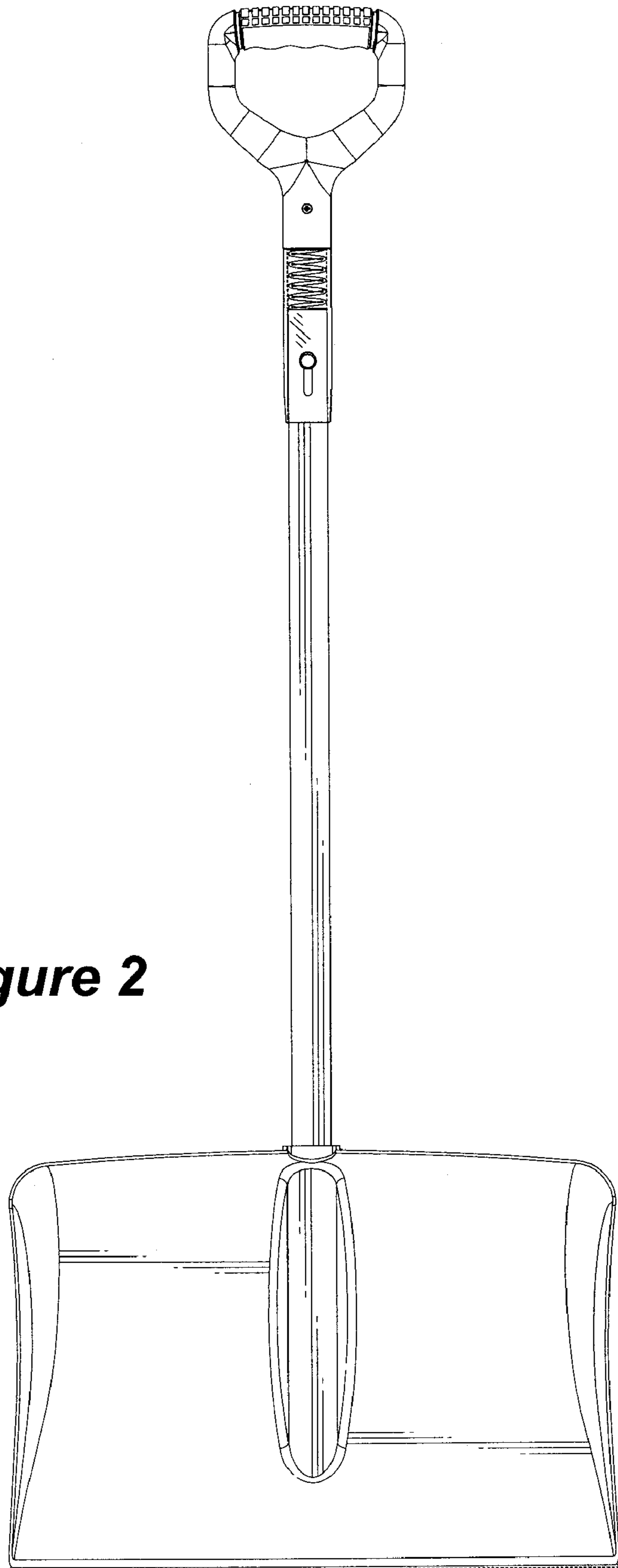


Figure 2

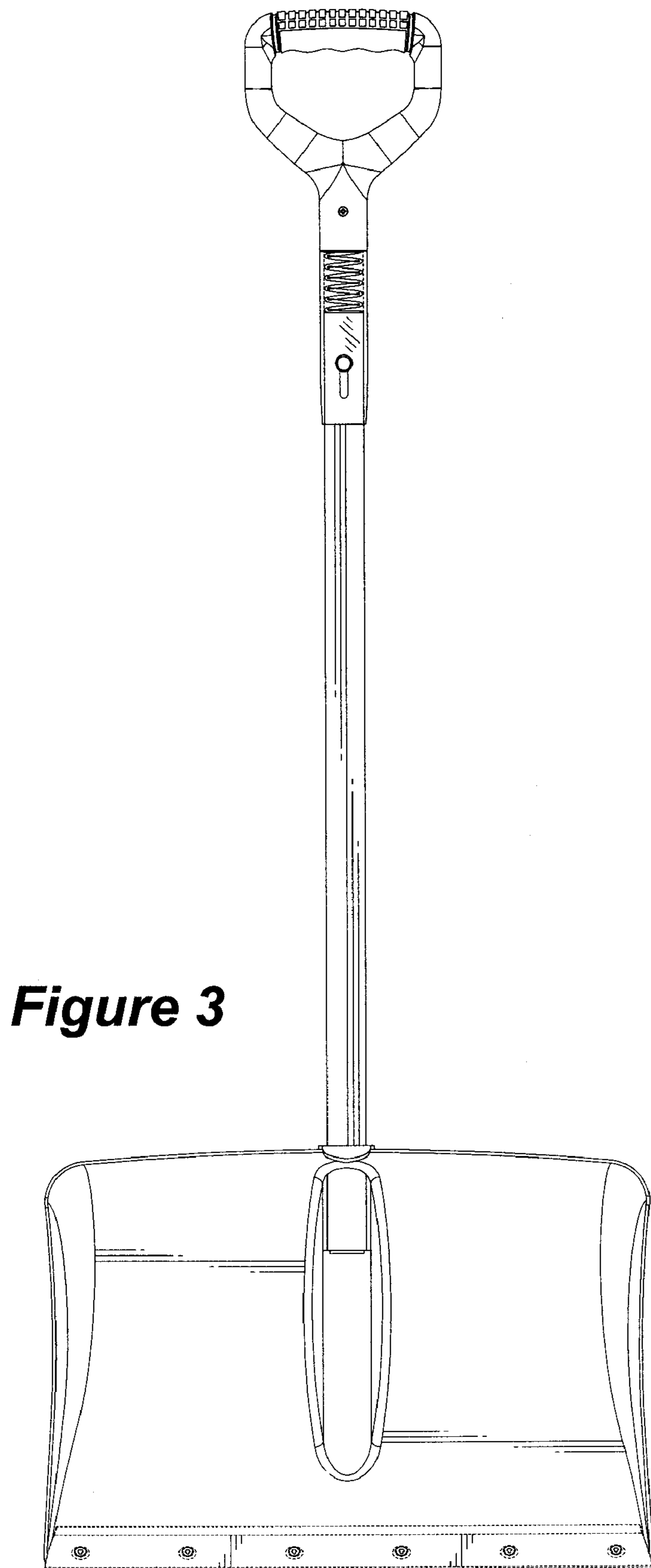


Figure 3

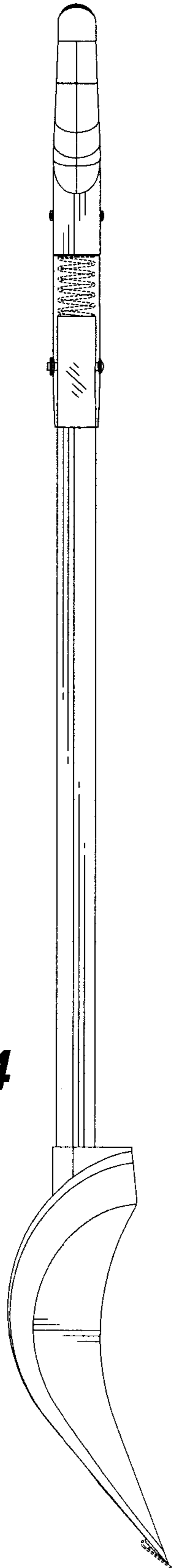


Figure 4

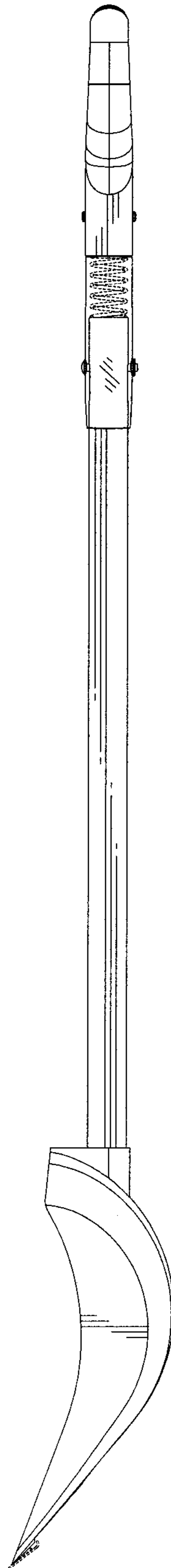


Figure 5

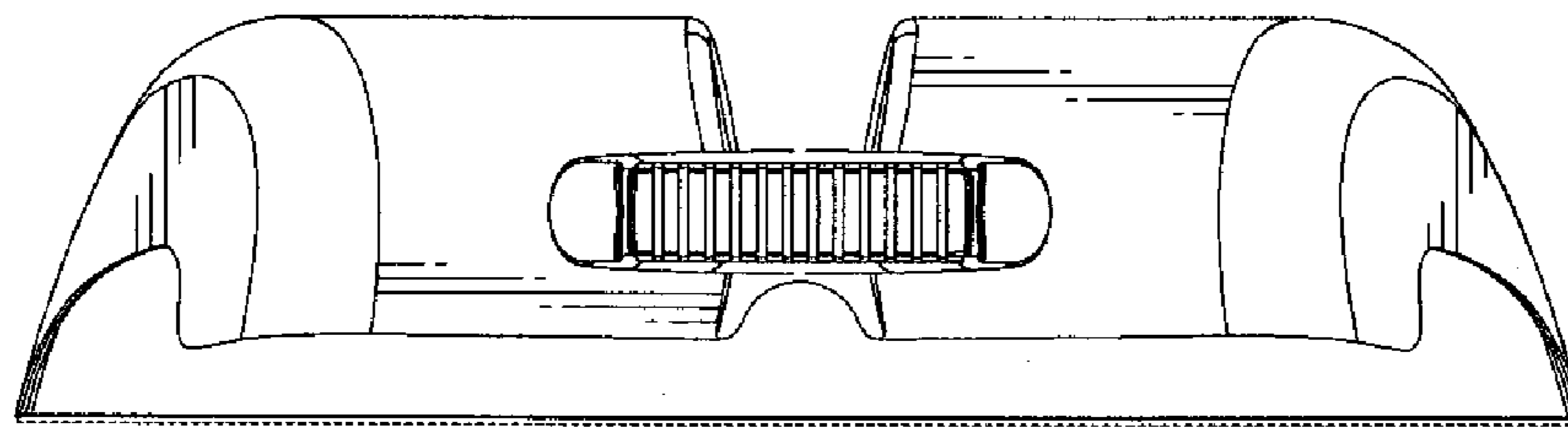


Figure 6

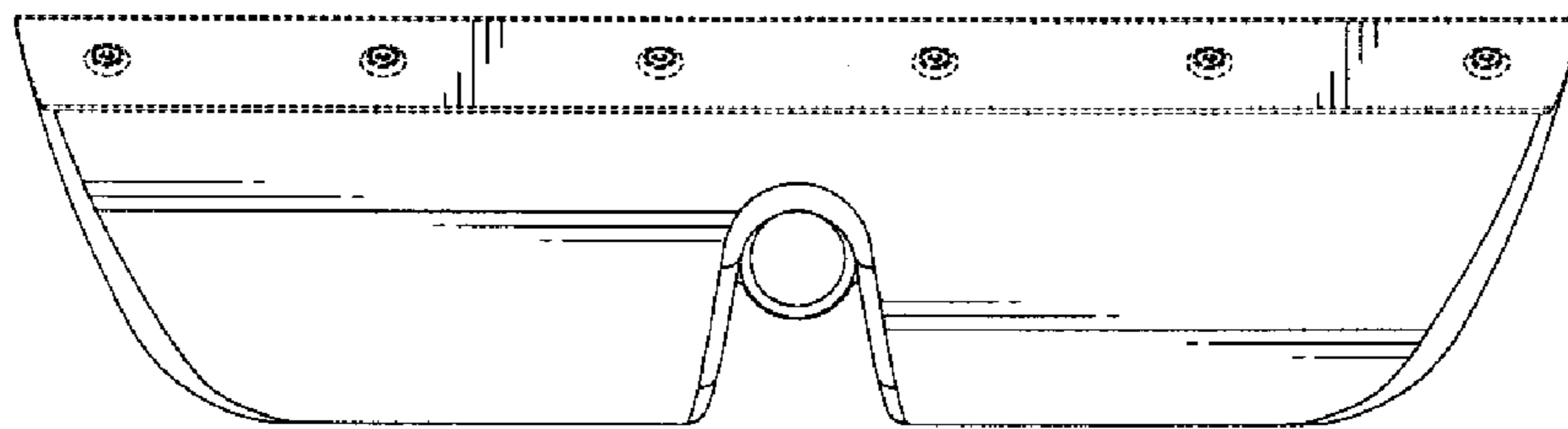


Figure 7