



US00D546644S

(12) **United States Design Patent** (10) **Patent No.:** **US D546,644 S**
Rosine et al. (45) **Date of Patent:** **** Jul. 17, 2007**

(54) **SHOCK ABSORBING SHOVEL** 7,032,942 B2 * 4/2006 Stuart 294/58
7,118,145 B1 * 10/2006 Rosine et al. 294/57

(75) Inventors: **Lyle A. Rosine**, Oswego, IL (US);
Torrence Anderson, Batavia, IL (US) * cited by examiner

(73) Assignee: **Suncast Corporation**, Batavia, IL (US) *Primary Examiner*—Holly H. Baynham
Assistant Examiner—Sheryl Friedman

(**) Term: **14 Years** (74) *Attorney, Agent, or Firm*—McHale & Slavin, P.A.

(21) Appl. No.: **29/244,003**

(57) **CLAIM**

(22) Filed: **Dec. 2, 2005**

The ornamental design for shock absorbing shovel, as shown and described.

(51) **LOC (8) Cl.** **08-01**

(52) **U.S. Cl.** **D8/10**

(58) **Field of Classification Search** D8/10;
7/116; 294/53.5, 54.5

See application file for complete search history.

DESCRIPTION

(56) **References Cited**

U.S. PATENT DOCUMENTS

| | | | |
|----------------|---------|-----------------------|--------|
| D328,553 S * | 8/1992 | Norton et al. | D8/10 |
| D393,990 S * | 5/1998 | Whitehead et al. | D8/10 |
| D393,991 S * | 5/1998 | Tisbo et al. | D8/10 |
| D405,330 S * | 2/1999 | Whitehead et al. | D8/10 |
| D409,886 S * | 5/1999 | Whitehead et al. | D8/10 |
| D417,825 S * | 12/1999 | Tisbo et al. | D8/10 |
| D434,287 S * | 11/2000 | Spear | D8/10 |
| 6,412,841 B1 * | 7/2002 | Loraas et al. | 294/51 |
| D477,755 S * | 7/2003 | Markley | D8/10 |
| D487,680 S * | 3/2004 | Sickler et al. | D8/10 |

FIG. 1 is a perspective view of the shock absorbing shovel of the instant invention;

FIG. 2 is a front elevation view thereof;

FIG. 3 is a rear elevation view thereof;

FIG. 4 is a left side elevation view thereof;

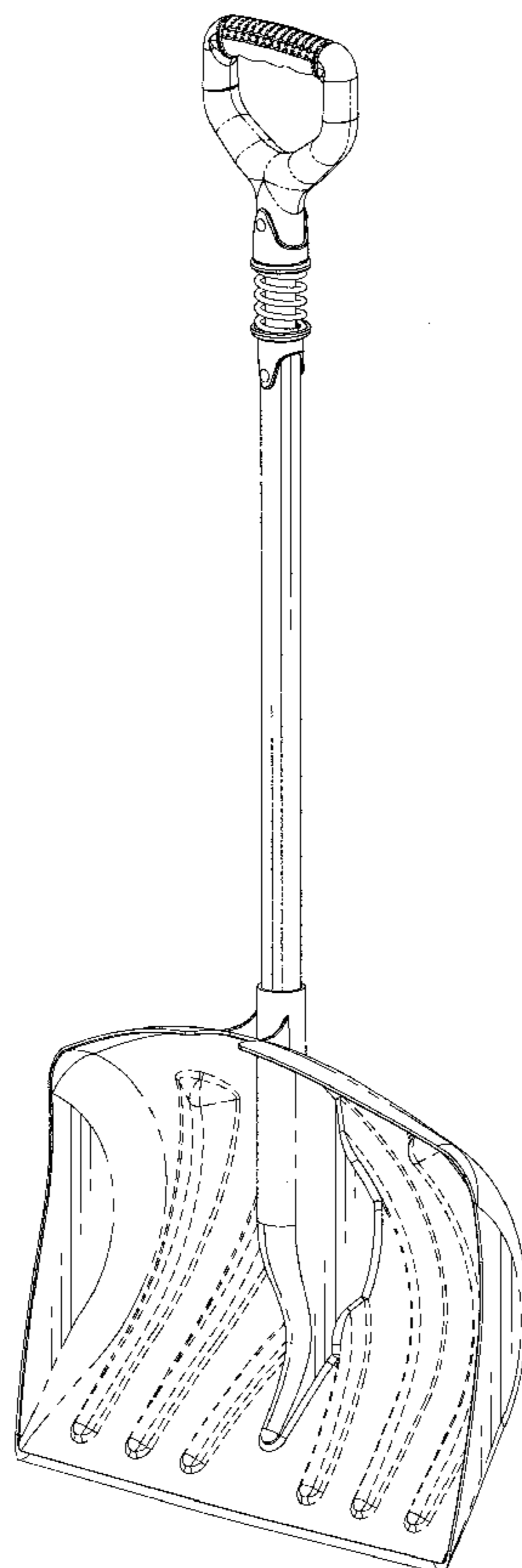
FIG. 5 is a right side elevation view thereof;

FIG. 6 is a top view thereof; and,

FIG. 7 is a bottom view thereof.

The broken lines are included for the purpose of illustrating environmental structure and form no part of the claimed design.

1 Claim, 5 Drawing Sheets



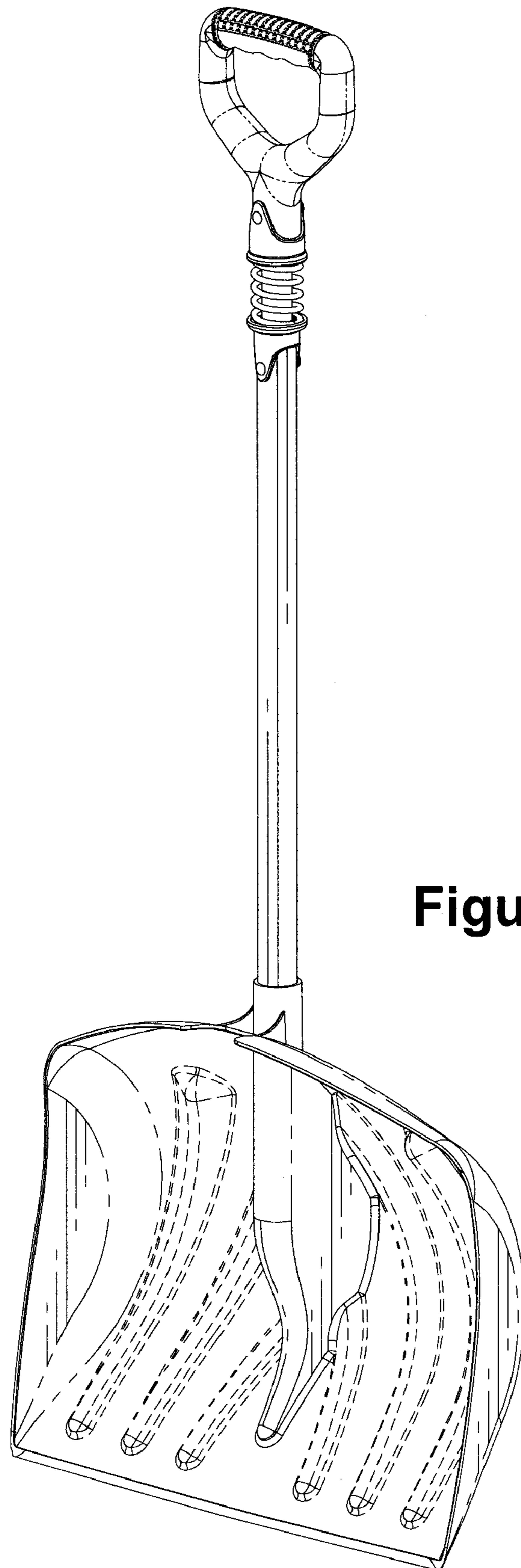


Figure 1

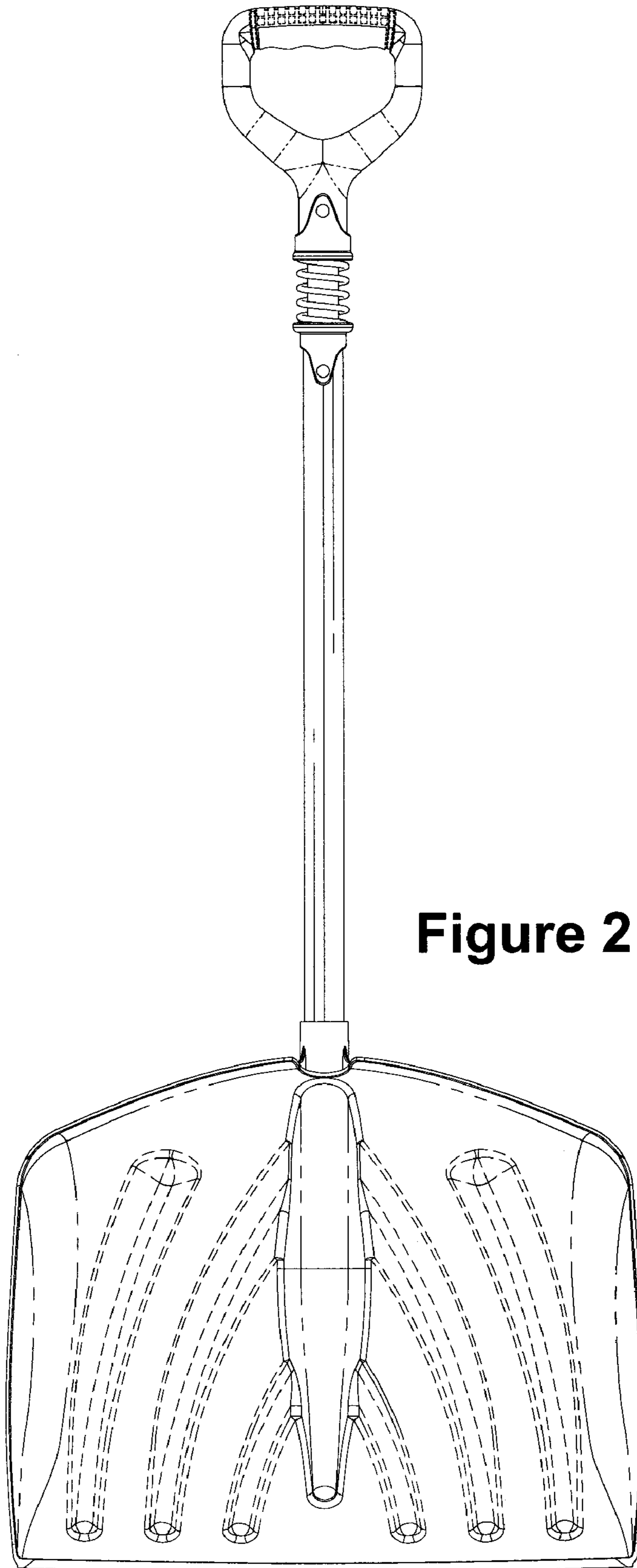


Figure 2

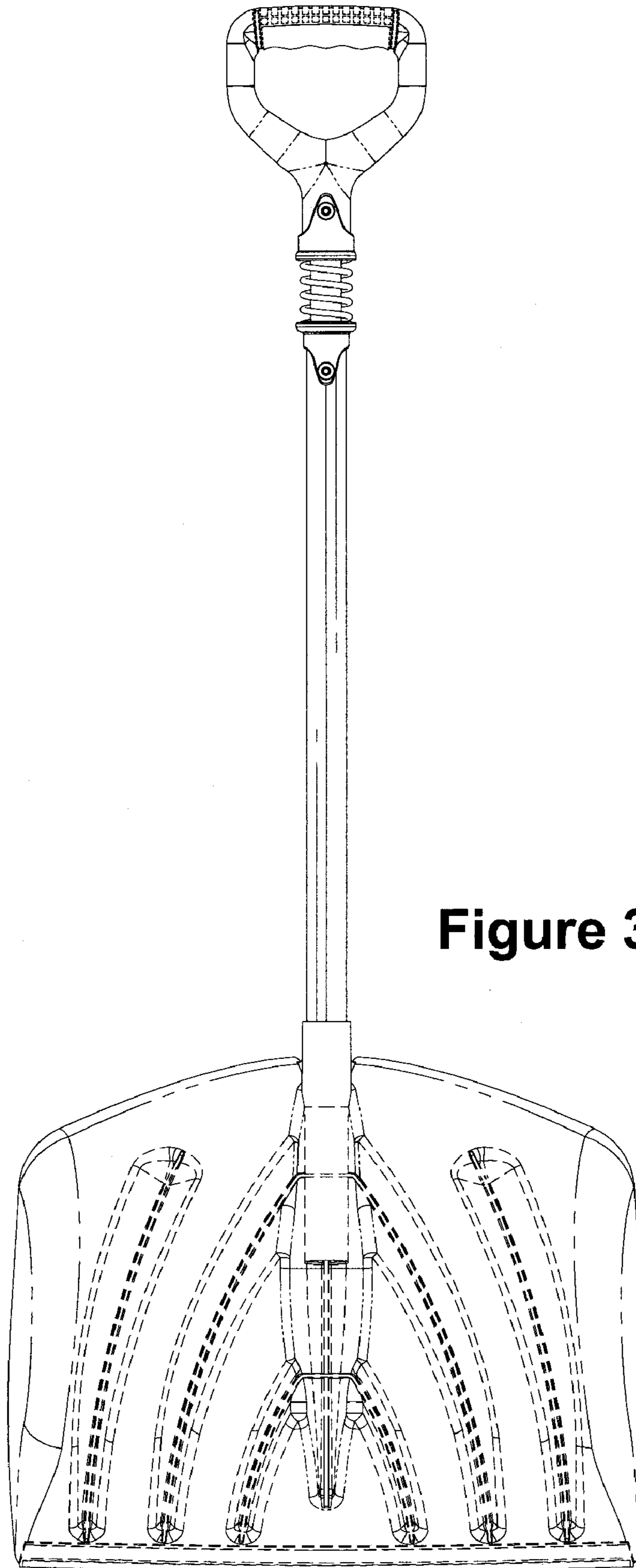


Figure 3

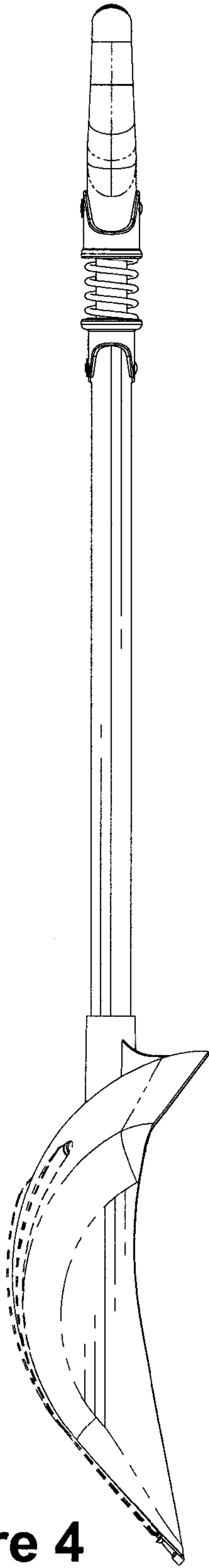


Figure 4

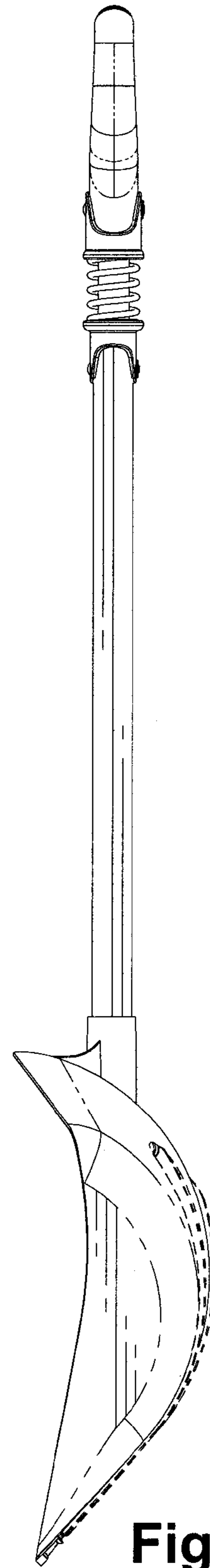


Figure 5

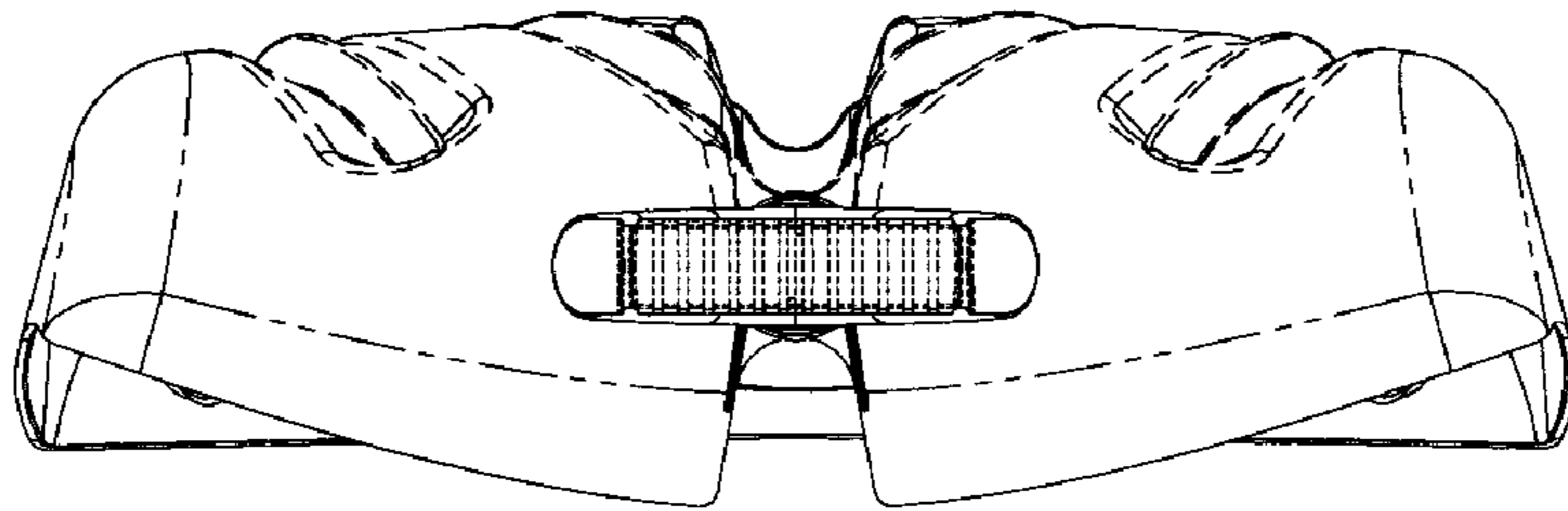


Figure 6

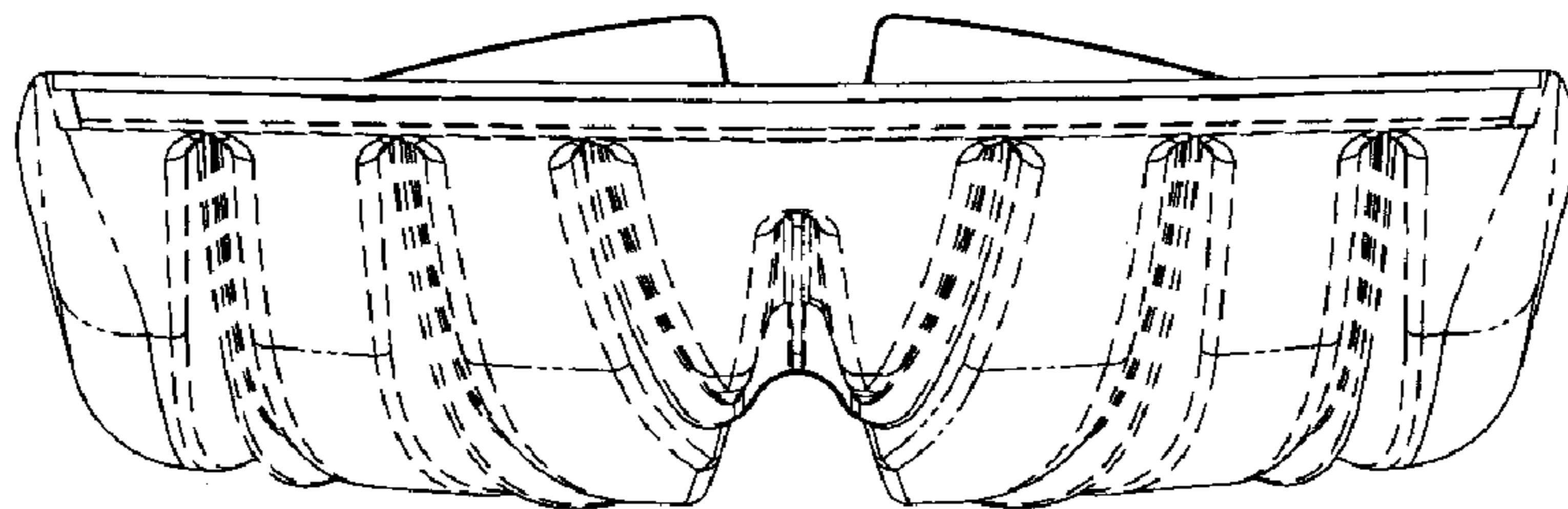


Figure 7