

US00D546635S

(12) **United States Design Patent** (10) **Patent No.:** **US D546,635 S**
Bodum (45) **Date of Patent:** **** Jul. 17, 2007**

(54) **FONDUE FORK**
(75) Inventor: **Jørgen Bodum**, St. Niklausen (CH)
(73) Assignee: **Pi-Design AG**, Triengen (CH)
(**) Term: **14 Years**

5,749,286 A * 5/1998 Payette 99/413
D427,025 S * 6/2000 Lee D7/683
D432,875 S * 10/2000 Begley et al. D7/683
D439,809 S * 4/2001 Ming et al. D7/683
7,011,003 B1 * 3/2006 Berke 83/13
D519,331 S * 4/2006 Camp D7/683
7,065,883 B2 * 6/2006 Popeil et al. 30/322
2004/0006876 A1 * 1/2004 Popeil et al. 30/323

(21) Appl. No.: **29/249,140**

FOREIGN PATENT DOCUMENTS

(22) Filed: **Sep. 22, 2006**

DE 10157044 A1 * 11/2002
FR 2698532 A1 * 6/1994
WO WO 9855010 A1 * 12/1998

(30) **Foreign Application Priority Data**

Apr. 3, 2006 (DK) DA 2006 00105

* cited by examiner

(51) **LOC (8) Cl.** **07-03**
(52) **U.S. Cl.** **D7/653**
(58) **Field of Classification Search** D7/368,
D7/393, 395, 401.2, 575, 642-664, 669, 676,
D7/683, 688-69; D8/82, 83, 88, 89, 107;
D21/793; 83/129, 137, 141, 142, 147-150,
83/322-329, 340, 342, 13; 99/357, 403,
99/413; 222/191; 294/2; 416/70 R
See application file for complete search history.

Primary Examiner—Cathron C. Brooks
Assistant Examiner—Ricky Pham

(74) *Attorney, Agent, or Firm*—Cowan, Liebowitz & Latman, PC

(57) **CLAIM**

The ornamental design for a fondue fork, as shown and described.

(56) **References Cited**

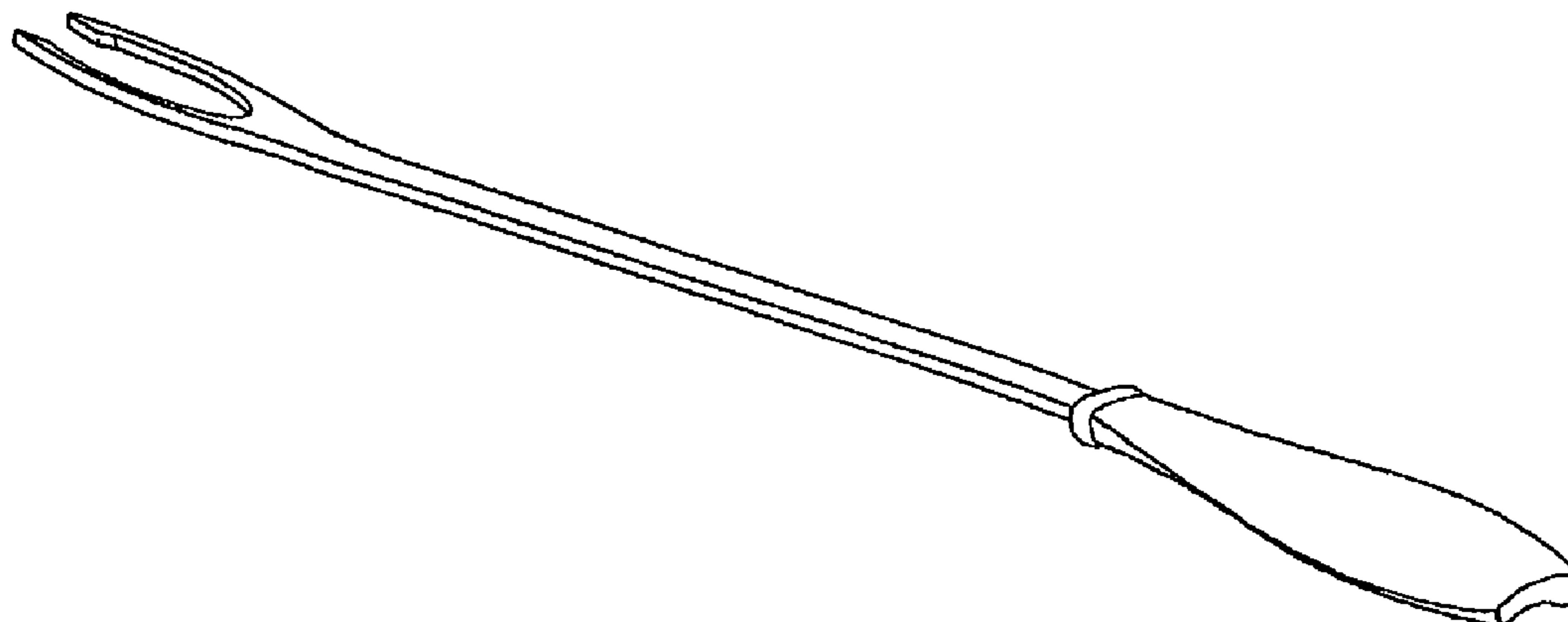
DESCRIPTION

U.S. PATENT DOCUMENTS

1,121,657 A * 12/1914 Parker 30/322
D143,431 S * 1/1946 Lapin D7/644
D166,441 S * 4/1952 Bert, Jr. D7/663
2,864,163 A * 12/1958 Boruvka 30/129
3,410,457 A * 11/1968 Brown 222/191
3,585,050 A * 6/1971 Singer et al. 99/357
D224,337 S * 7/1972 Nocero D7/643
3,858,320 A * 1/1975 Neal et al. 30/323
4,332,409 A * 6/1982 Stachowicz 294/2
4,539,751 A * 9/1985 Chan 30/322
D300,760 S * 4/1989 Krokus, Sr. D21/793
5,154,116 A * 10/1992 Dube 99/403
D351,092 S * 10/1994 Weber D7/683

FIG. 1 is a perspective view of the fondue fork showing my new design;
FIG. 2 is a front view thereof;
FIG. 3 is a back view thereof;
FIG. 4 is left side view thereof;
FIG. 5 is right side view thereof;
FIG. 6 is a bottom plan view thereof;
FIG. 7 is a top plan view thereof; and,
FIG. 8 is a cross-sectional view taken through line 8-8 of FIG. 2.

1 Claim, 8 Drawing Sheets



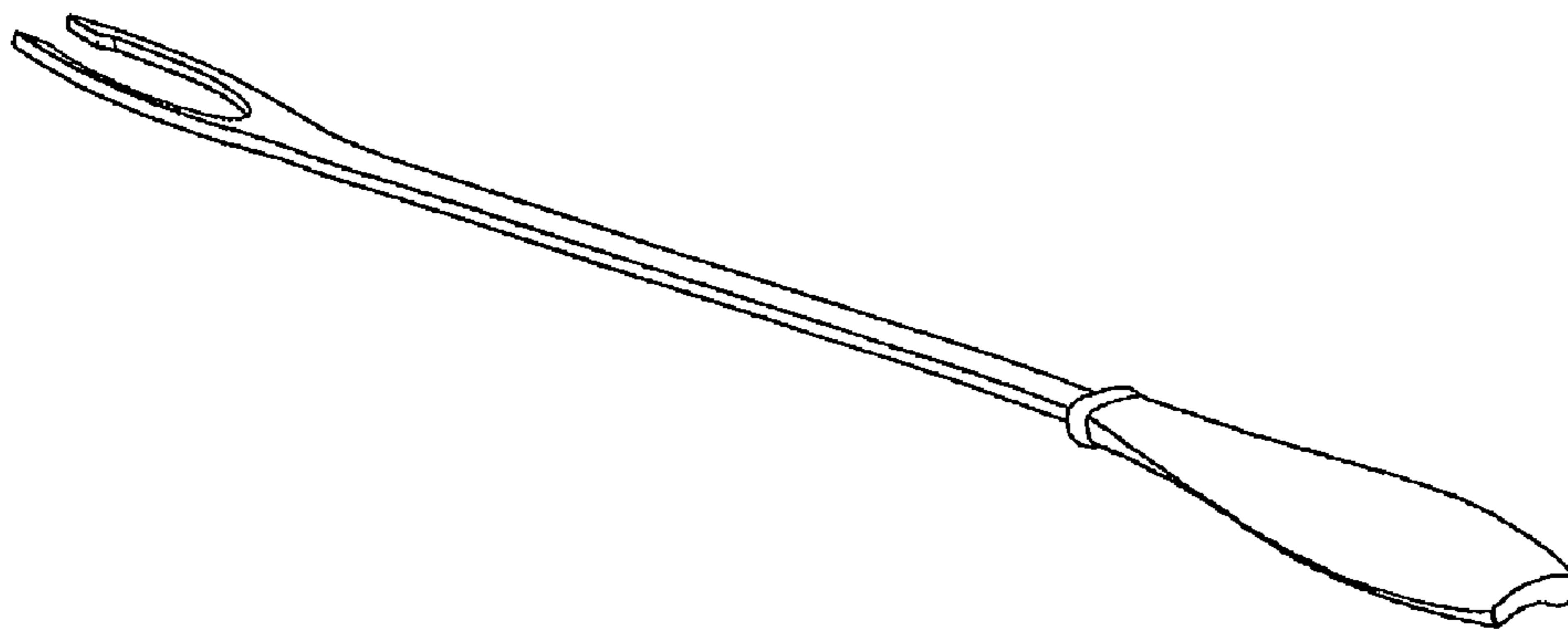


FIG. 1

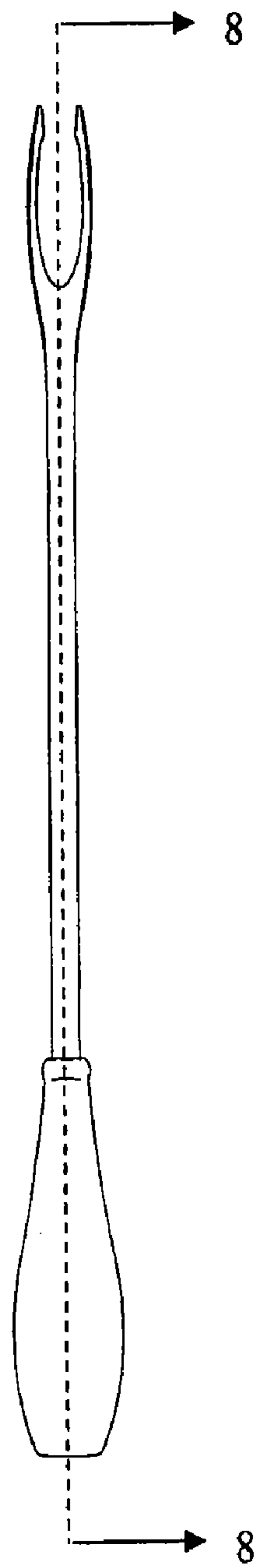


FIG. 2

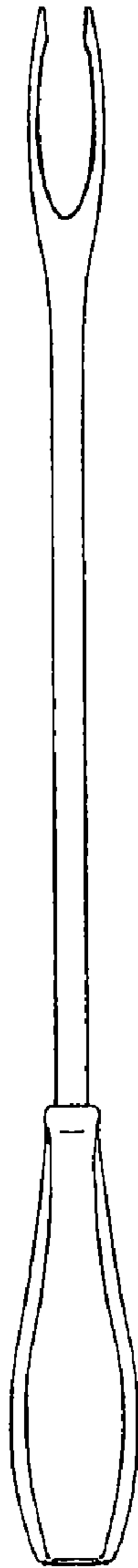


FIG. 3



FIG. 4



FIG. 5



FIG. 6



FIG. 7

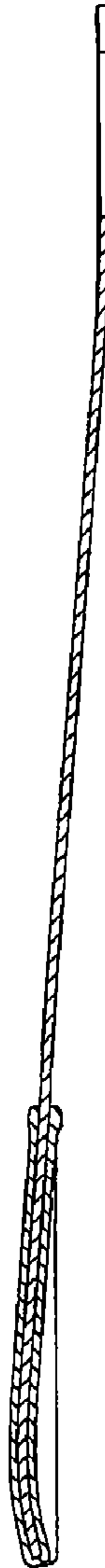


FIG. 8