



US00D546632S

(12) **United States Design Patent**
Oberloier

(10) **Patent No.:** **US D546,632 S**

(45) **Date of Patent:** **** Jul. 17, 2007**

(54) **COOKIE CONTAINER**

(74) *Attorney, Agent, or Firm*—Leon D. Rosen

(75) Inventor: **Timothy J. Oberloier**, Vernon, CA (US)

(57) **CLAIM**

The ornamental design for cookie container, as shown and described.

(73) Assignee: **PWP Industries**, Vernon, CA (US)

(**) Term: **14 Years**

DESCRIPTION

(21) Appl. No.: **29/268,445**

FIG. 1 is an exploded top isometric view of the cookie container showing my new design;

(22) Filed: **Nov. 7, 2006**

FIG. 2 is a top perspective view thereof;

(51) **LOC (8) Cl.** **07-01**

FIG. 3 is a top plan view thereof;

(52) **U.S. Cl.** **D7/629; D9/432**

FIG. 4 is a bottom plan view thereof;

(58) **Field of Classification Search** D7/602,
D7/629, 612–615, 538–542; D9/424–432;
229/406, 407, 902–906; 220/574–575, 780–806,
220/912, 913

FIG. 5 is a left side view thereof, the right side view being a mirror image;

See application file for complete search history.

FIG. 6 is a front elevation view thereof, the rear view being a mirror image;

(56) **References Cited**

FIG. 7 is a bottom plan view of the base shown separately for clarity of illustration;

U.S. PATENT DOCUMENTS

FIG. 8 is a left side view of FIG. 7;

4,787,527	A *	11/1988	Monetti	220/801
5,377,860	A *	1/1995	Littlejohn et al.	220/790
D416,794	S *	11/1999	Cormack	D9/425
6,685,049	B1 *	2/2004	Paladino	220/781
D505,840	S *	6/2005	Schultz et al.	D7/629
D513,376	S *	1/2006	Shannon	D7/629

FIG. 9 is a front elevation view of FIG. 7, the rear elevation view being a mirror image;

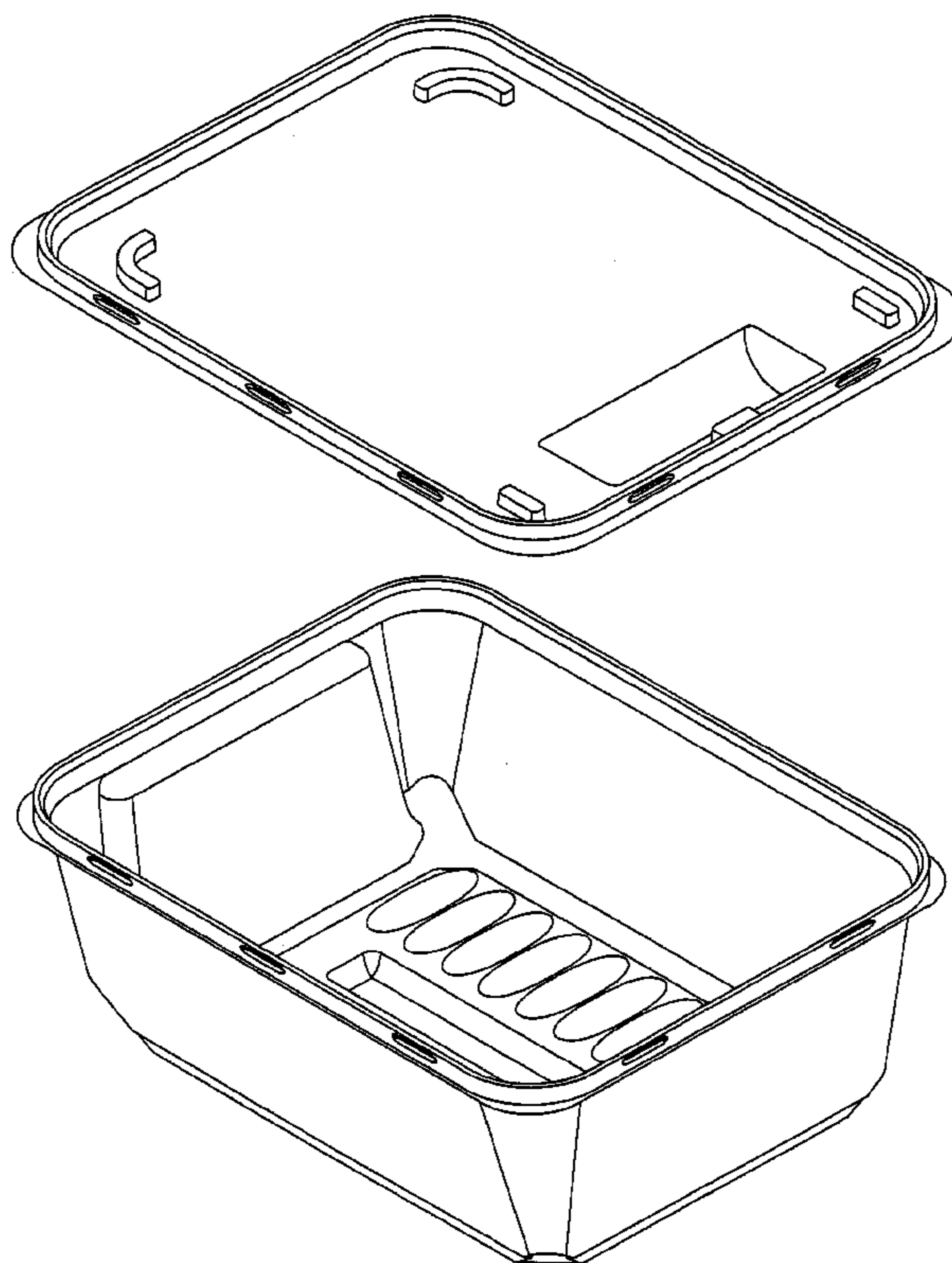
FIG. 10 is a left side view of the lid shown separately for clarity of illustration; and,

* cited by examiner

FIG. 11 is a front elevation view of FIG. 10, the rear elevation view being a mirror image.

Primary Examiner—Terry A. Wallace

1 Claim, 11 Drawing Sheets



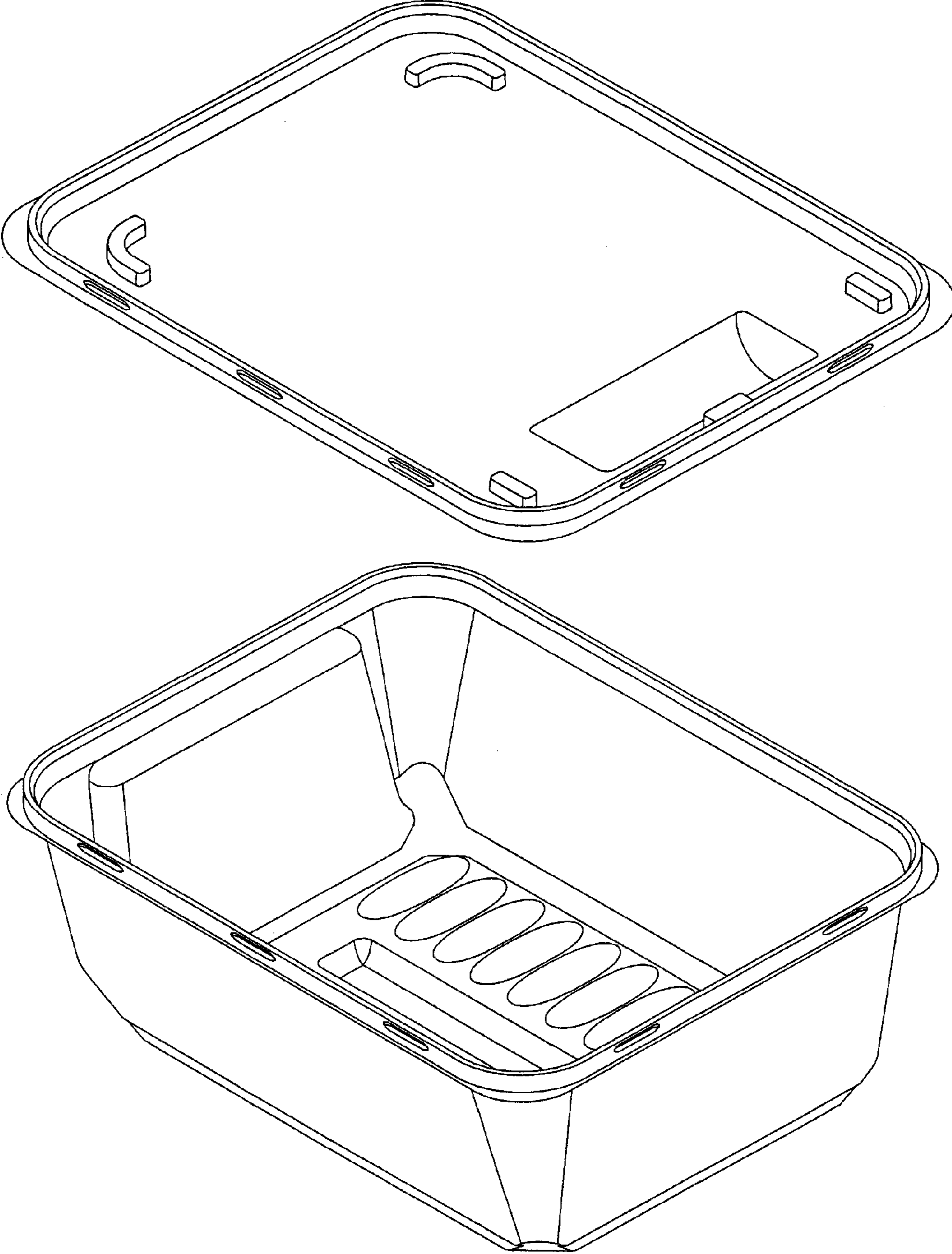


FIG. 1

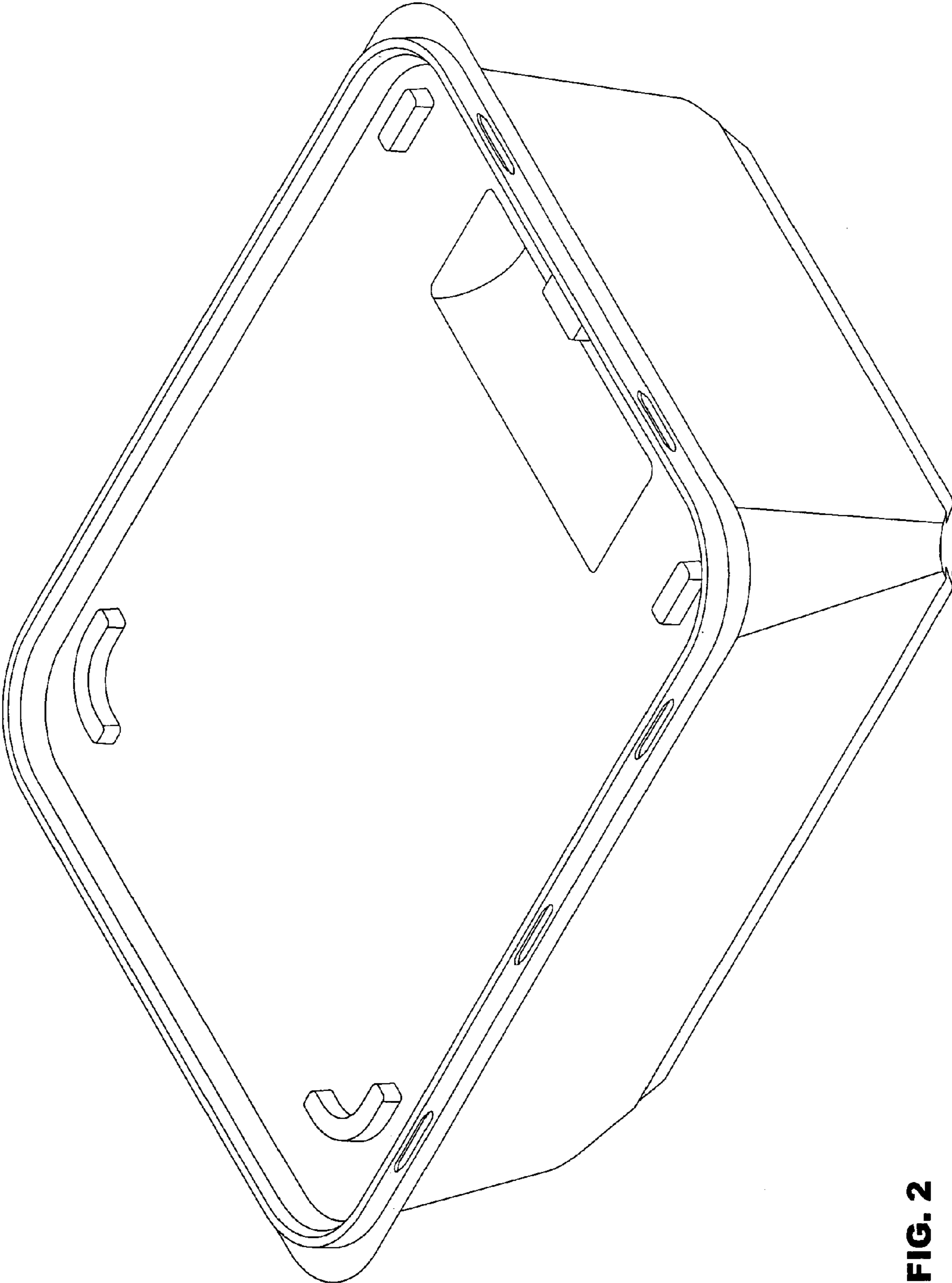


FIG. 2

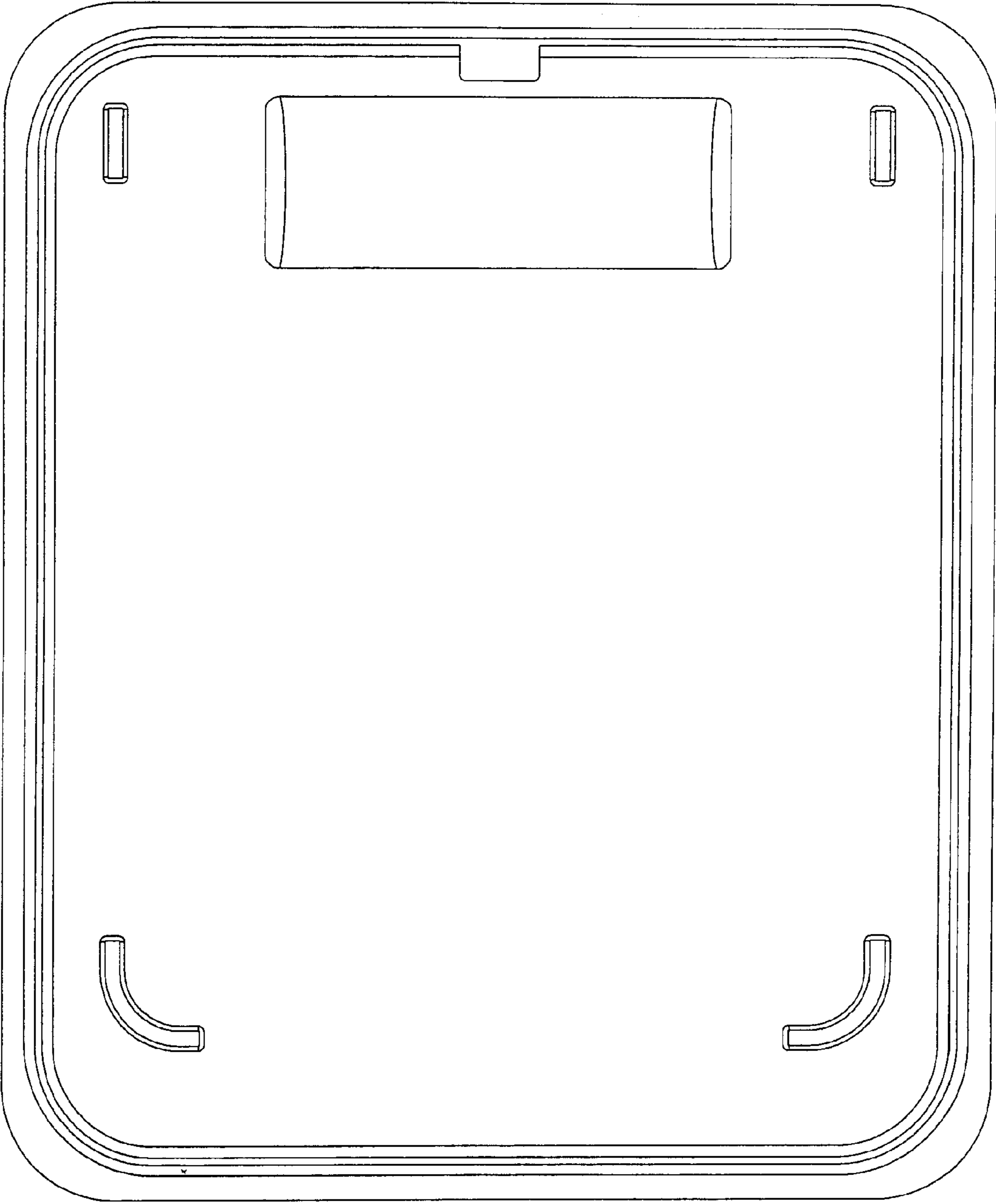


FIG. 3

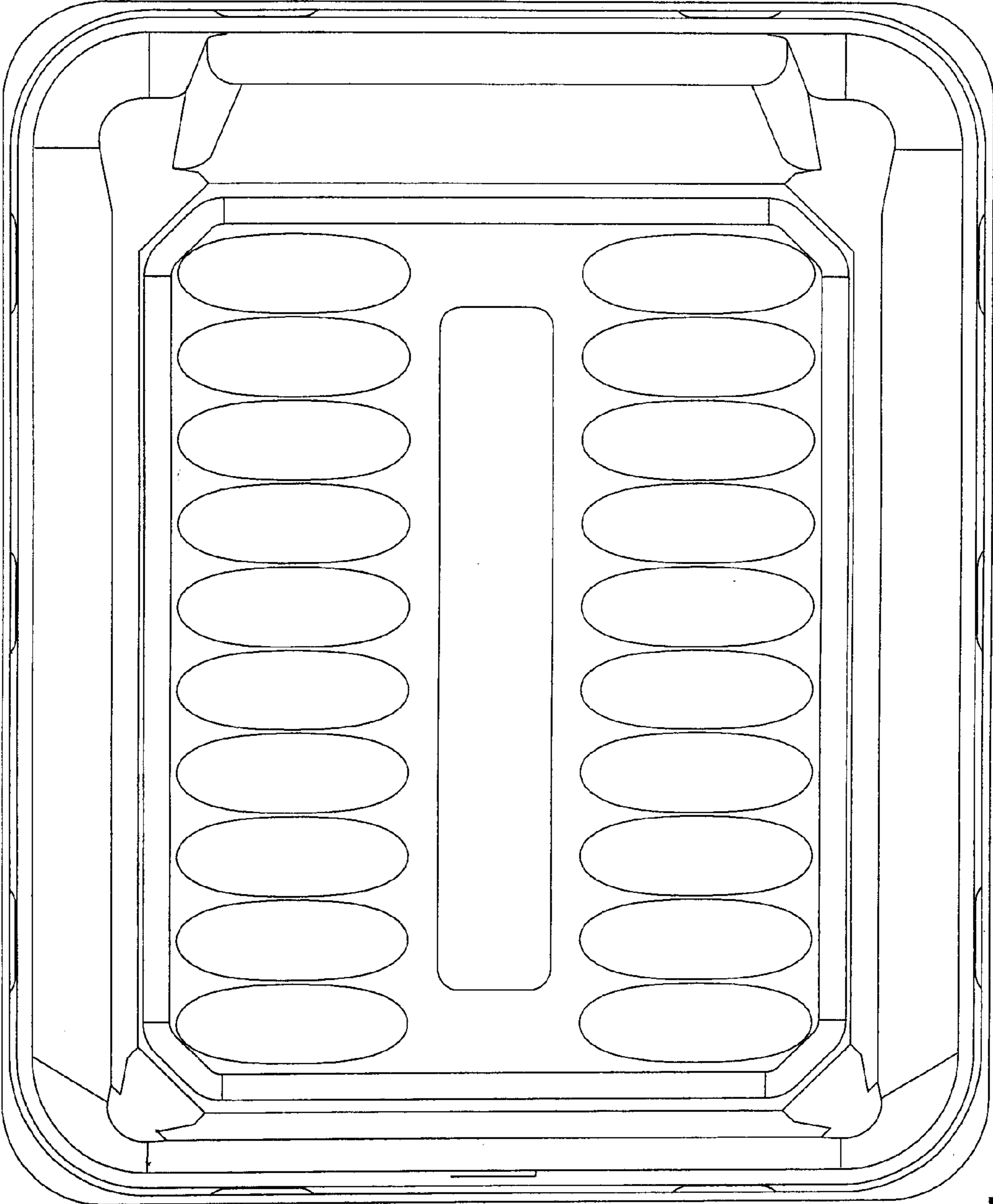


FIG. 4

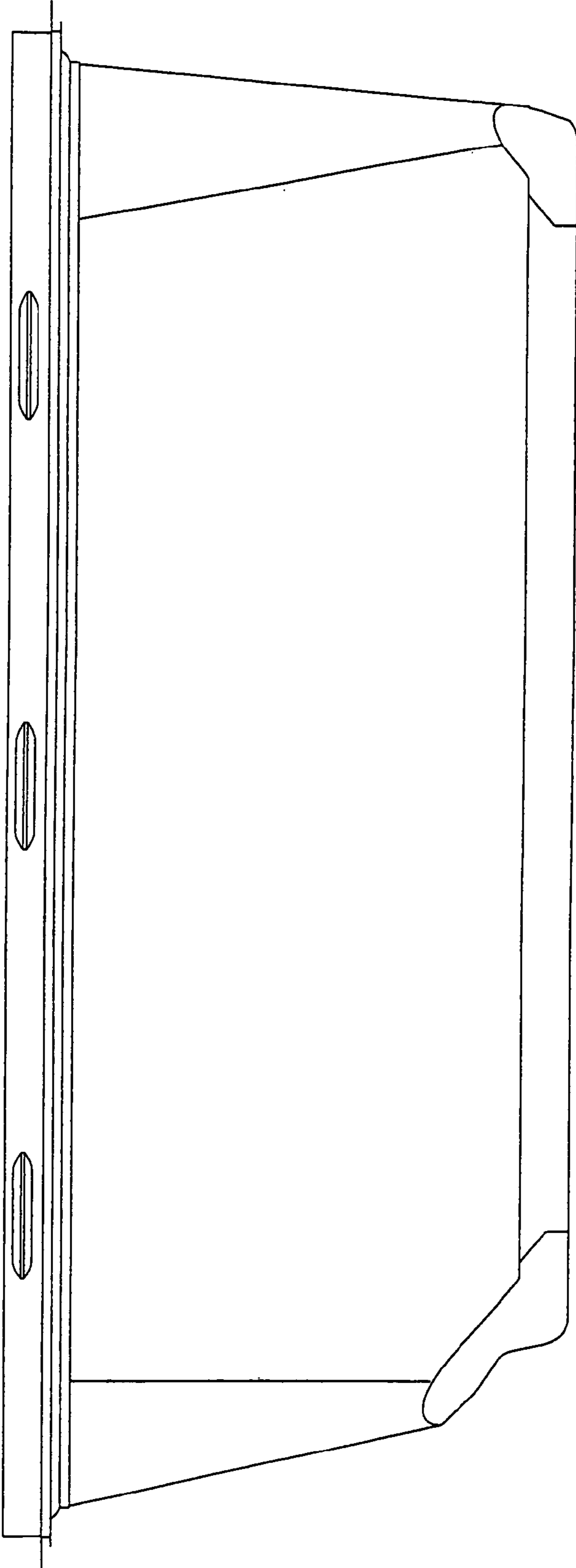


FIG. 5

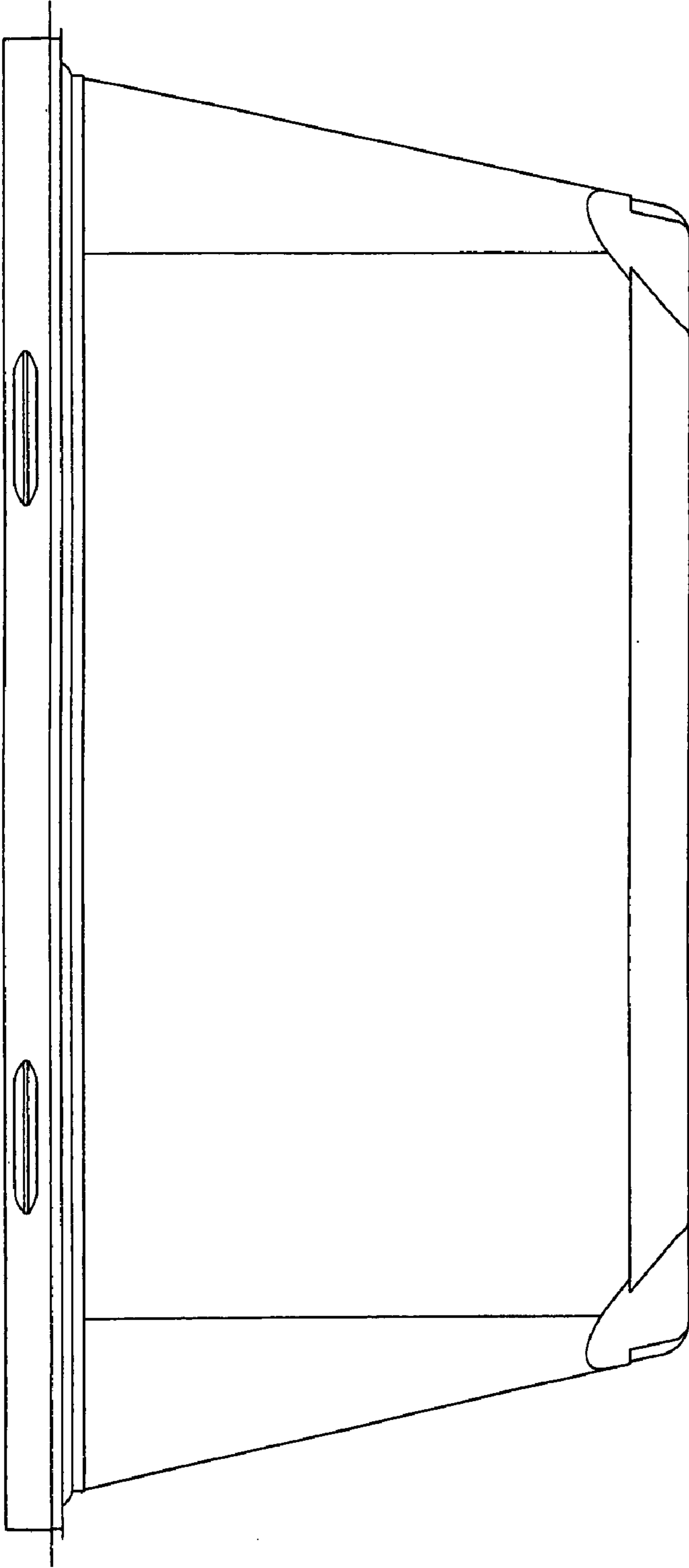


FIG. 6

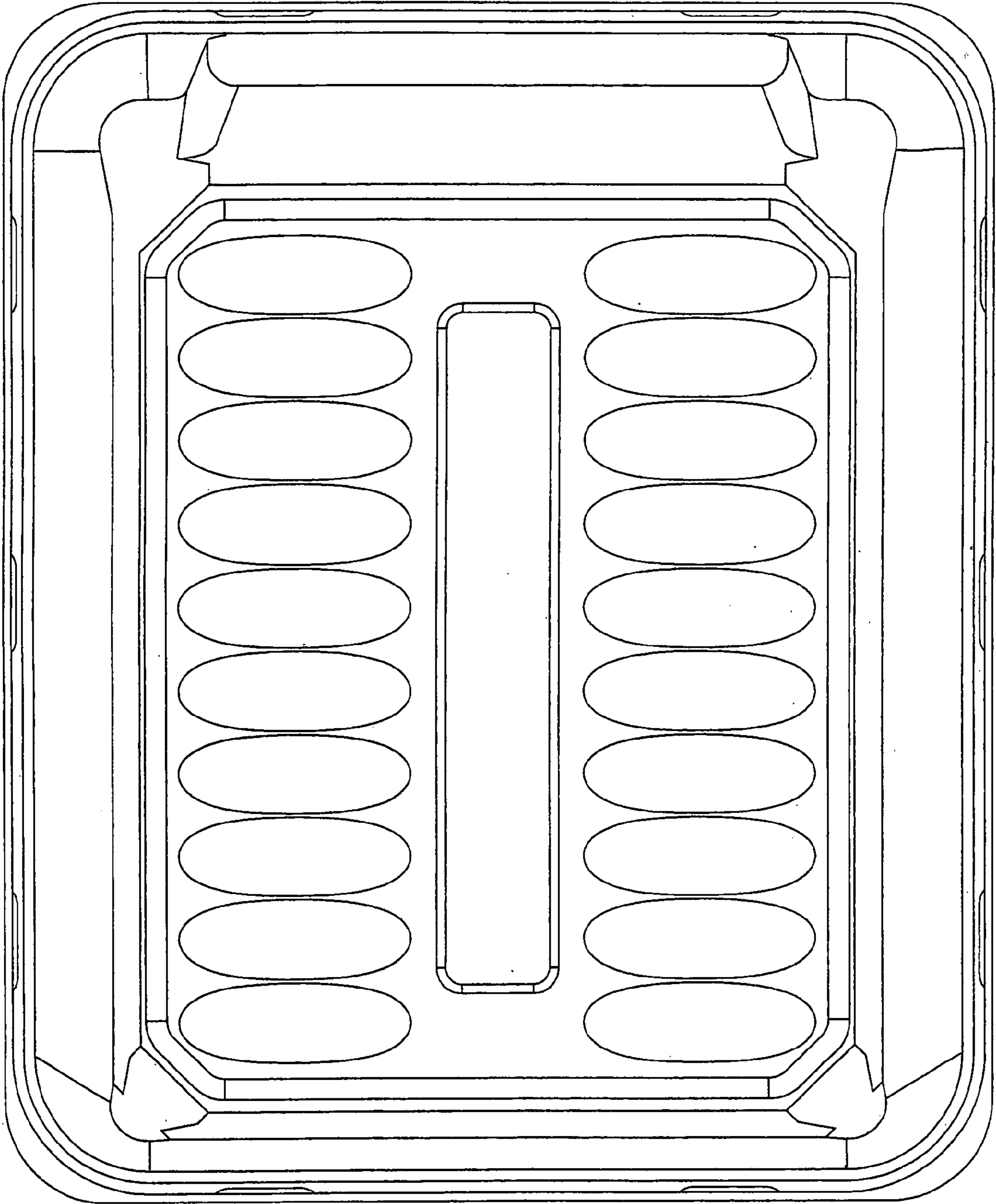


FIG. 7

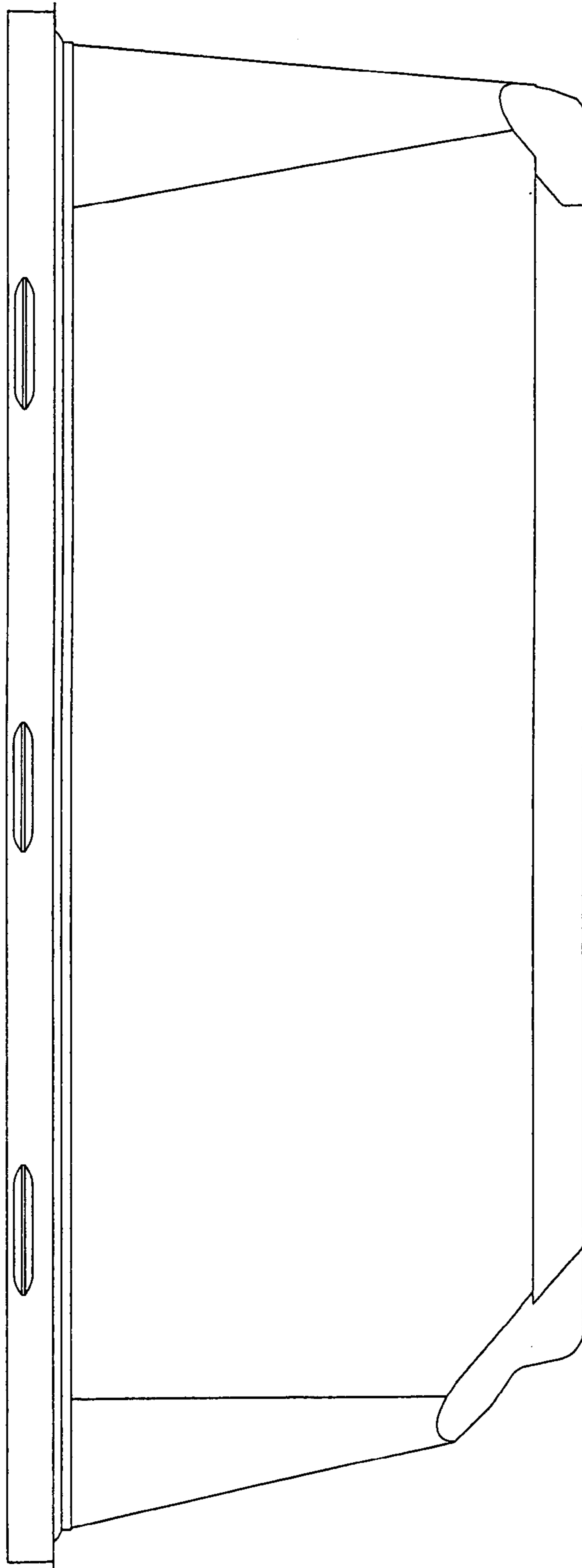


FIG. 8

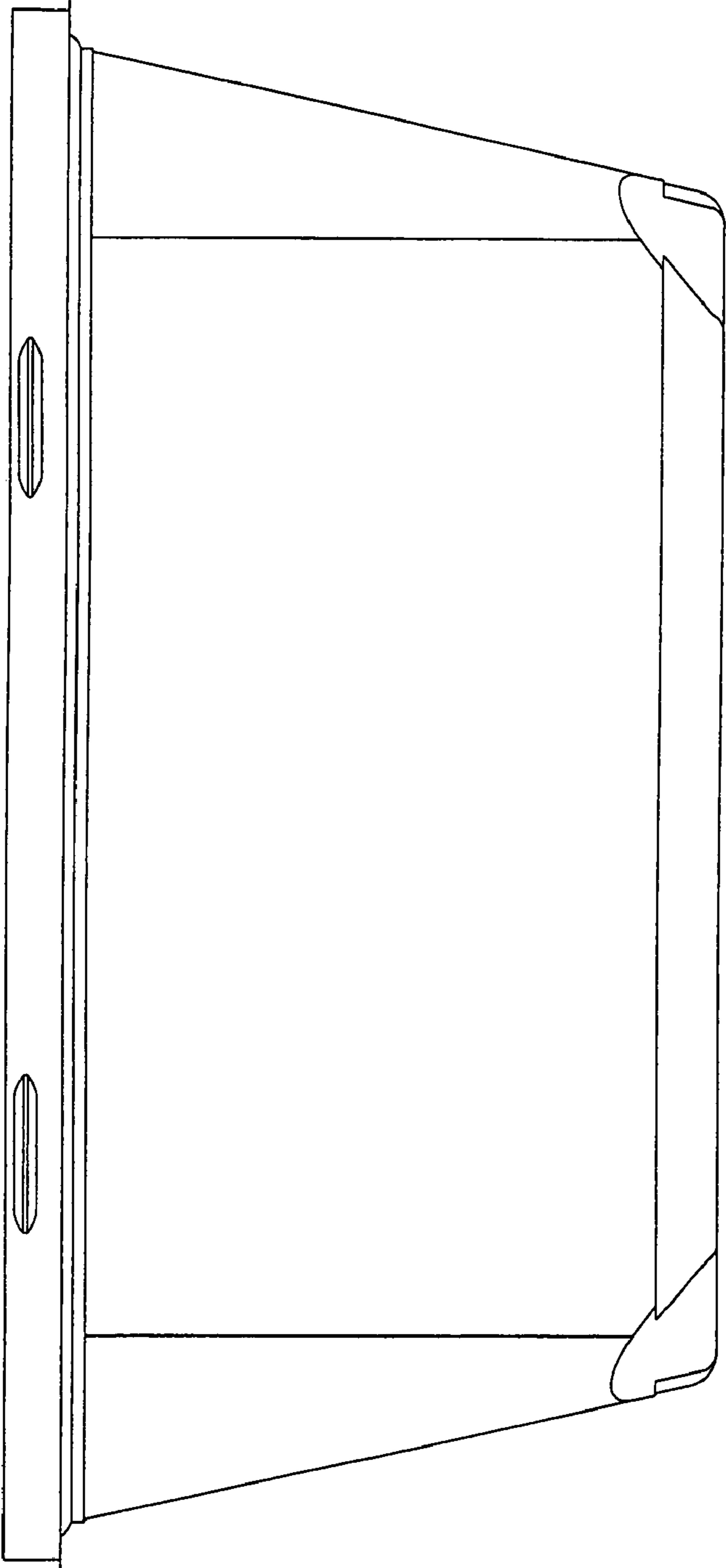


FIG. 9

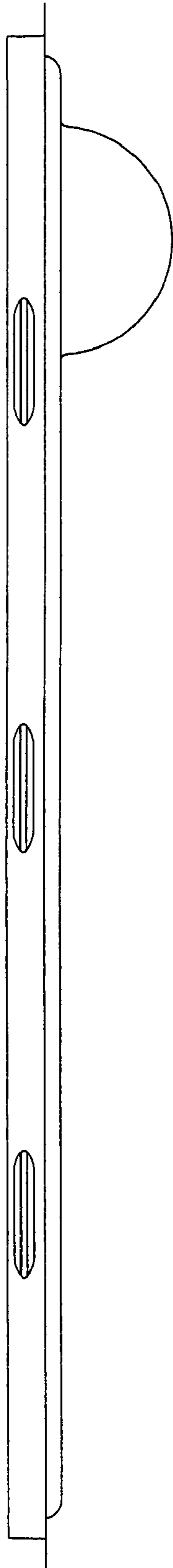


FIG. 10

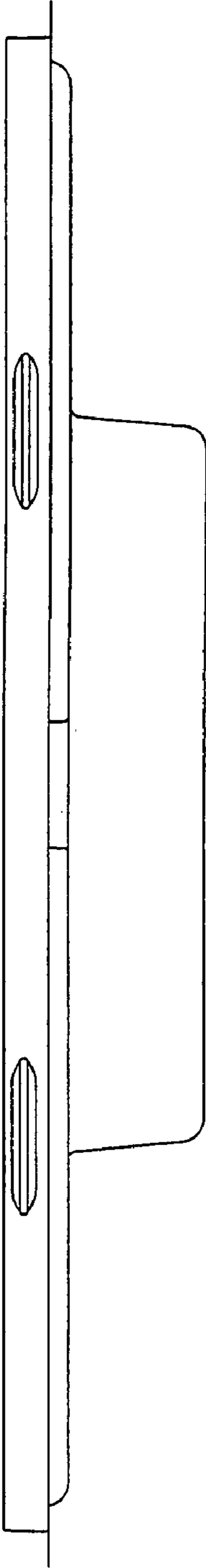


FIG. 11