

US00D546627S

(12) **United States Design Patent**
Price

(10) **Patent No.:** **US D546,627 S**

(45) **Date of Patent:** **** Jul. 17, 2007**

(54) **SERVING TRAY FOR BEVERAGE GLASSES**

(76) Inventor: **Jay B. Price**, 36 Island Pkwy., North, Island Park, NY (US) 11558

(**) Term: **14 Years**

(21) Appl. No.: **29/228,067**

(22) Filed: **Apr. 20, 2005**

(51) **LOC (8) Cl.** **07-01**

(52) **U.S. Cl.** **D7/552.1**

(58) **Field of Classification Search** D7/542,
D7/545, 550.1, 552.1, 553.6, 554.2, 555,
D7/565, 584, 586, 300, 587, 543, 601, 602,
D7/701, 705, 708, 630, 647, 653, 664, 642,
D7/354, 356, 360, 376, 380, 669, 682, 688,
D7/686, 683, 553.4, 553.7, 396.1; D9/430-433;
D24/220, 221, 224, 132, 216; 206/821, 822;
101/405; 435/288.3, 304.3; 30/1, 326
See application file for complete search history.

(56) **References Cited**

U.S. PATENT DOCUMENTS

D20,928 S *	7/1891	Van Kannel	D7/553.4
1,565,952 A *	12/1925	Phillips	294/143
D121,388 S *	7/1940	Henkel	D6/569
D127,563 S *	6/1941	Cloutier	D7/701
D189,792 S *	2/1961	Saputo	D7/544
D250,224 S *	11/1978	Bradley	D12/419
D252,827 S *	9/1979	Davidson	D28/61
D381,515 S *	7/1997	Haynes	D3/313
D435,665 S *	12/2000	Ogle	D24/233

* cited by examiner

Primary Examiner—Ian Simmons

Assistant Examiner—Charles Hanson

(74) *Attorney, Agent, or Firm*—Myron Amer P.C.

(57) **CLAIM**

The ornamental design for serving tray for beverage glasses, as shown and described.

DESCRIPTION

FIG. 1 is a perspective view of a first embodiment of serving tray for beverage glasses;

FIG. 2 is a top view thereof;

FIG. 3 is a right side elevational view thereof, of which the left side elevational view is a mirror image;

FIG. 4 is a bottom view thereof;

FIG. 5 is a front view thereof;

FIG. 6 is a rear view thereof;

FIG. 7 is a perspective view of a second embodiment of serving tray for beverage glasses;

FIG. 8 is a top view thereof;

FIG. 9 is a right side elevational view thereof, of which the left side elevational view is a mirror image;

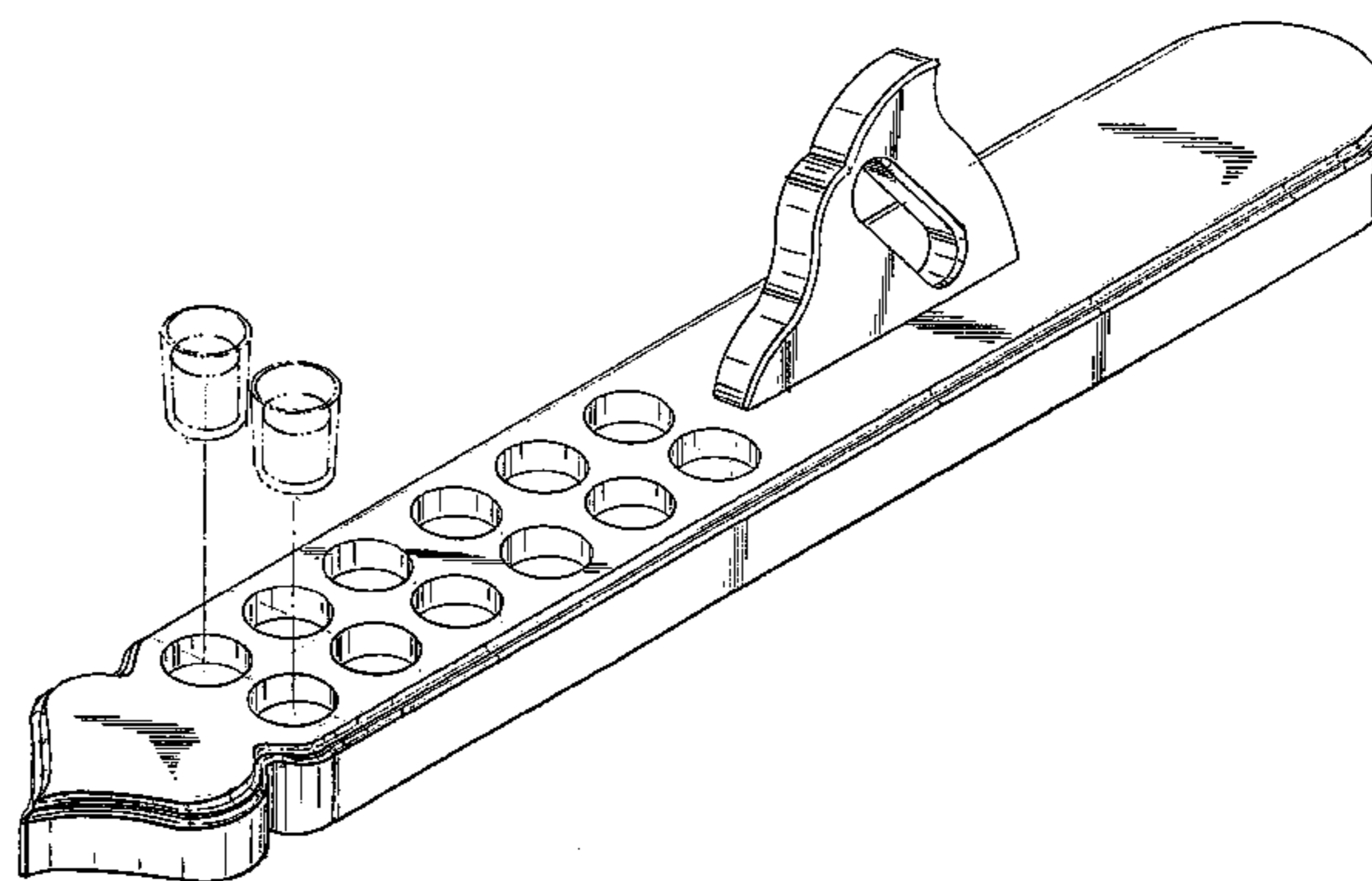
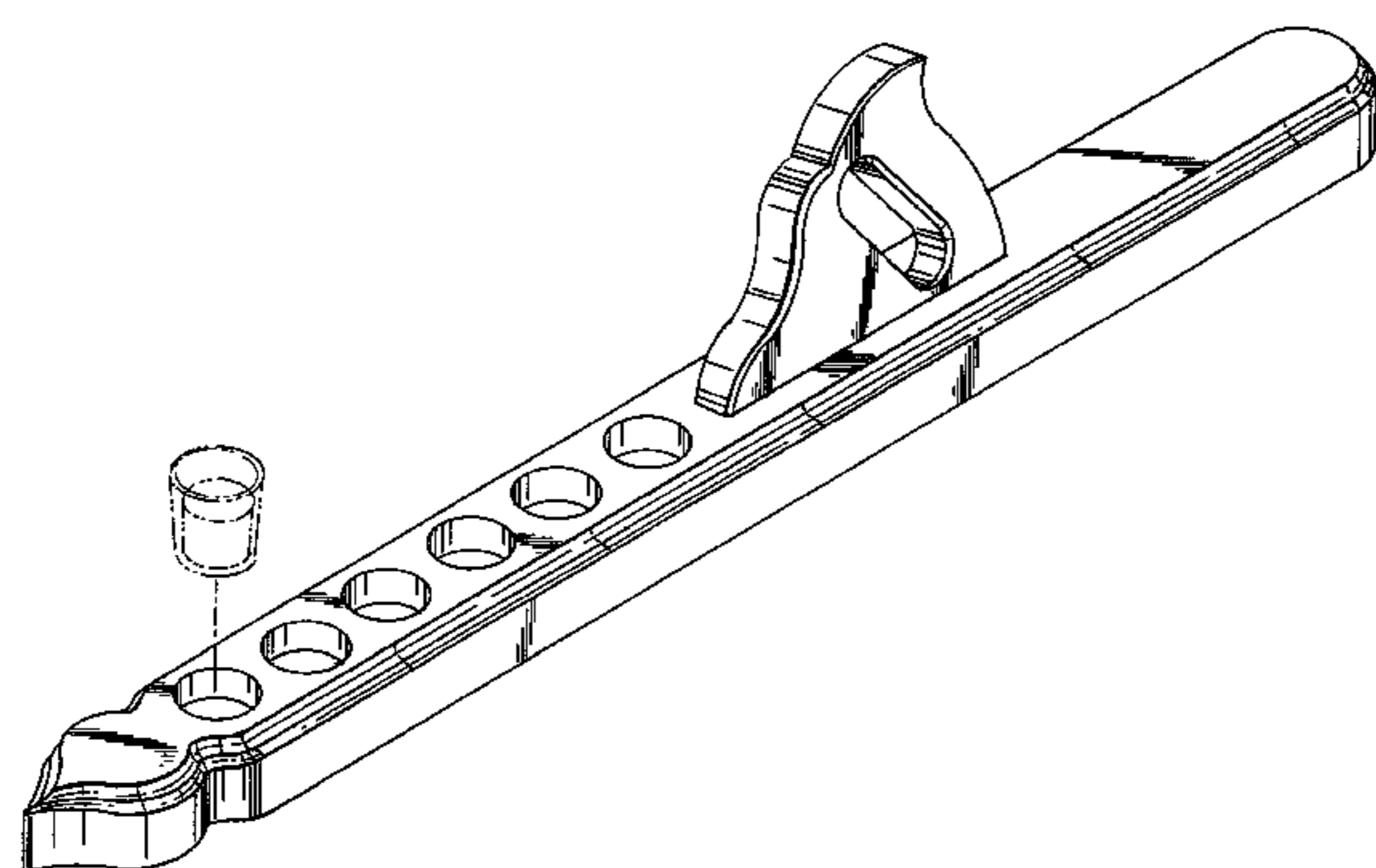
FIG. 10 is a bottom view thereof;

FIG. 11 is a front view thereof; and,

FIG. 12 is a rear view thereof.

The broken line showing is included for the purpose of illustrating environmental placement and forms no part of the claimed design.

1 Claim, 6 Drawing Sheets



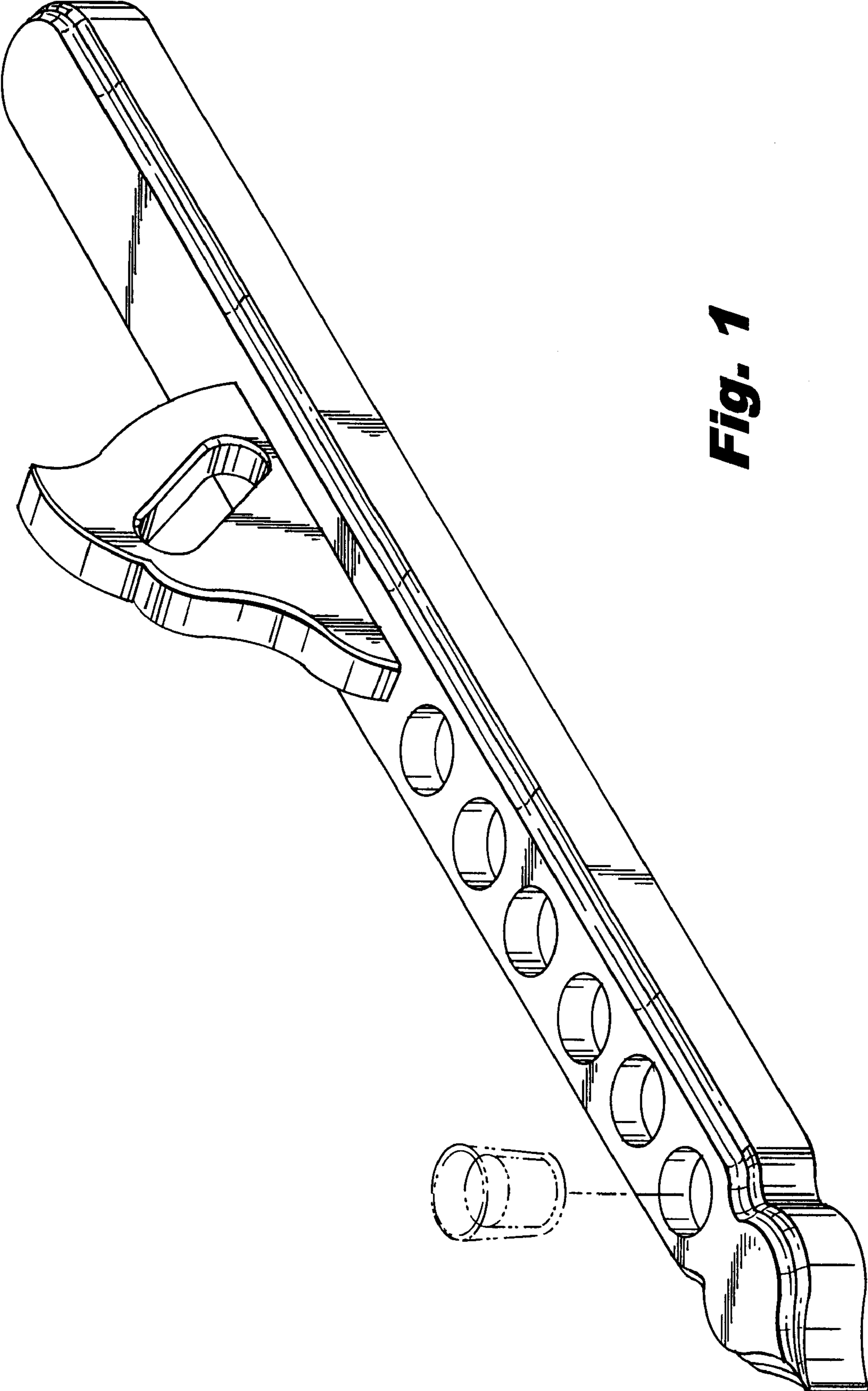


Fig. 1

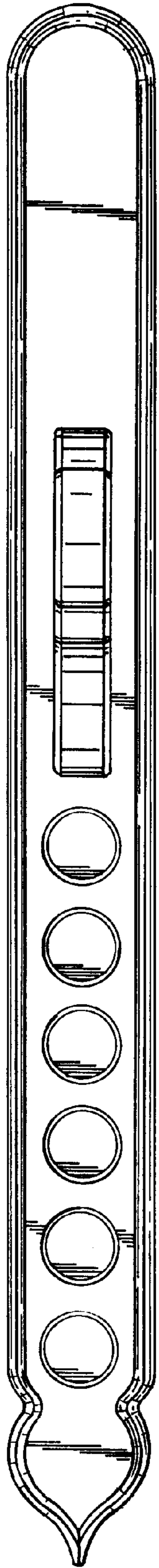


Fig. 2

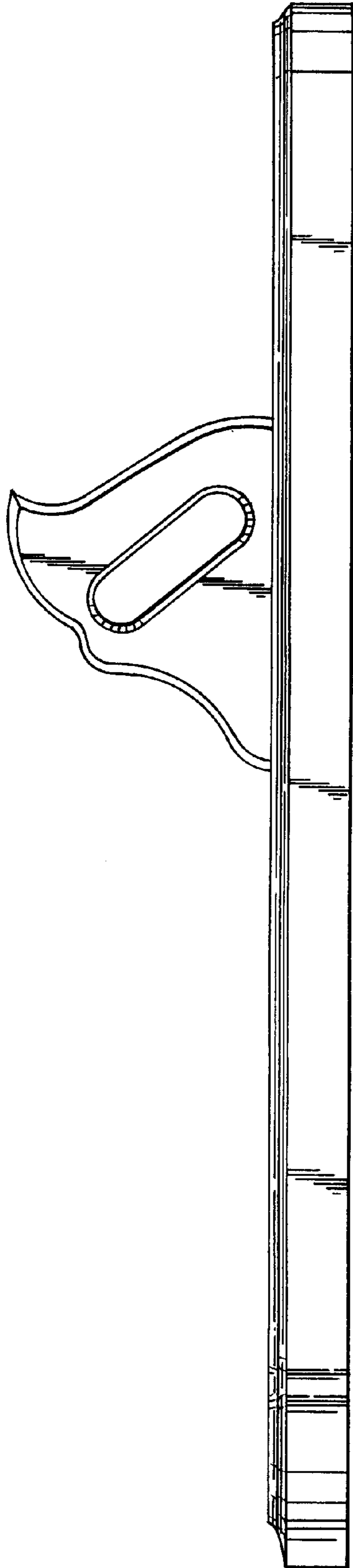


Fig. 3

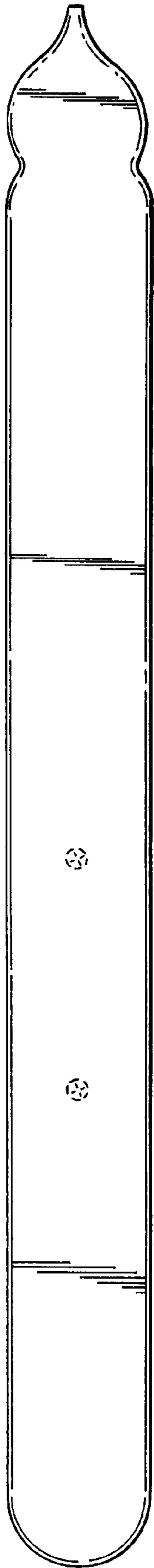


Fig. 4

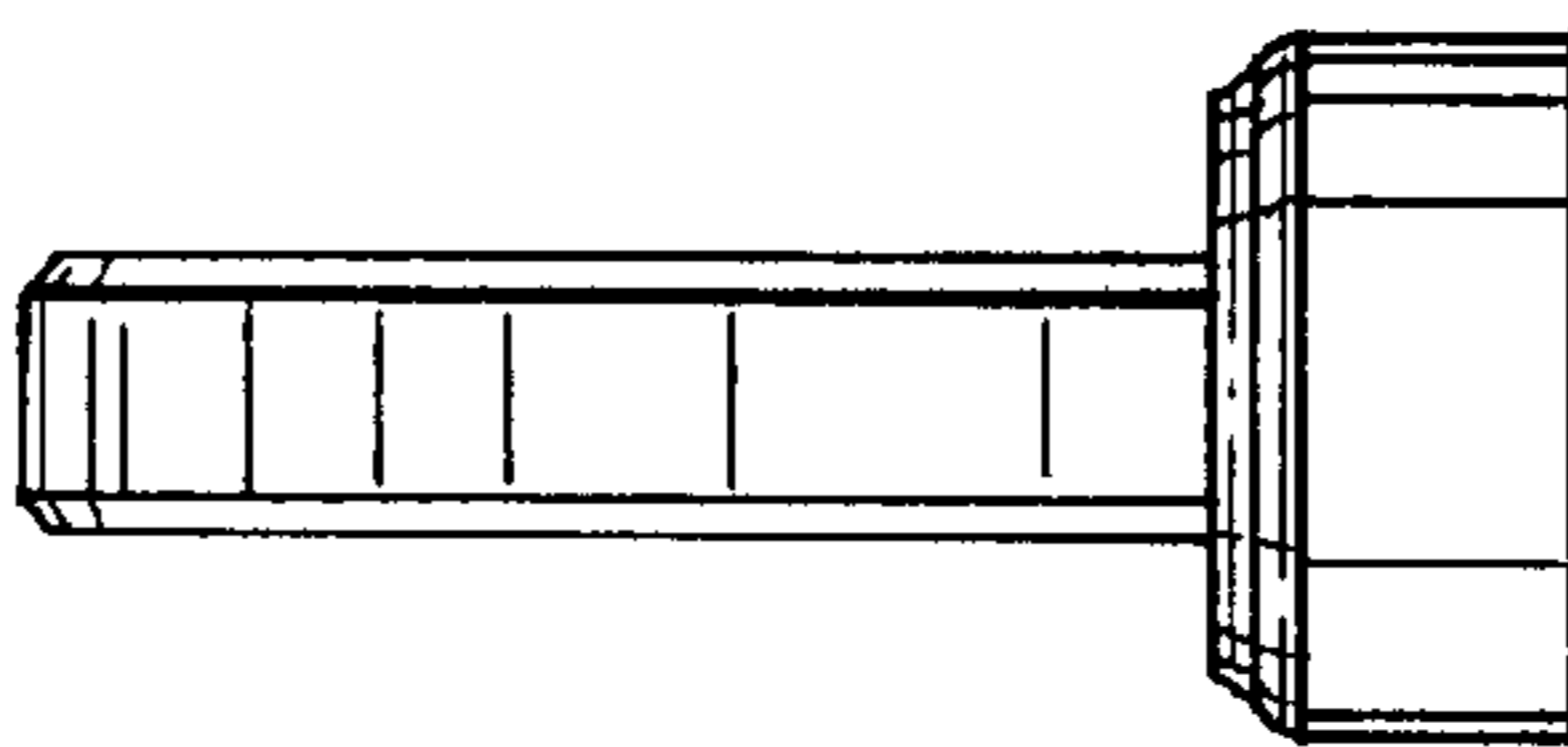


Fig. 5

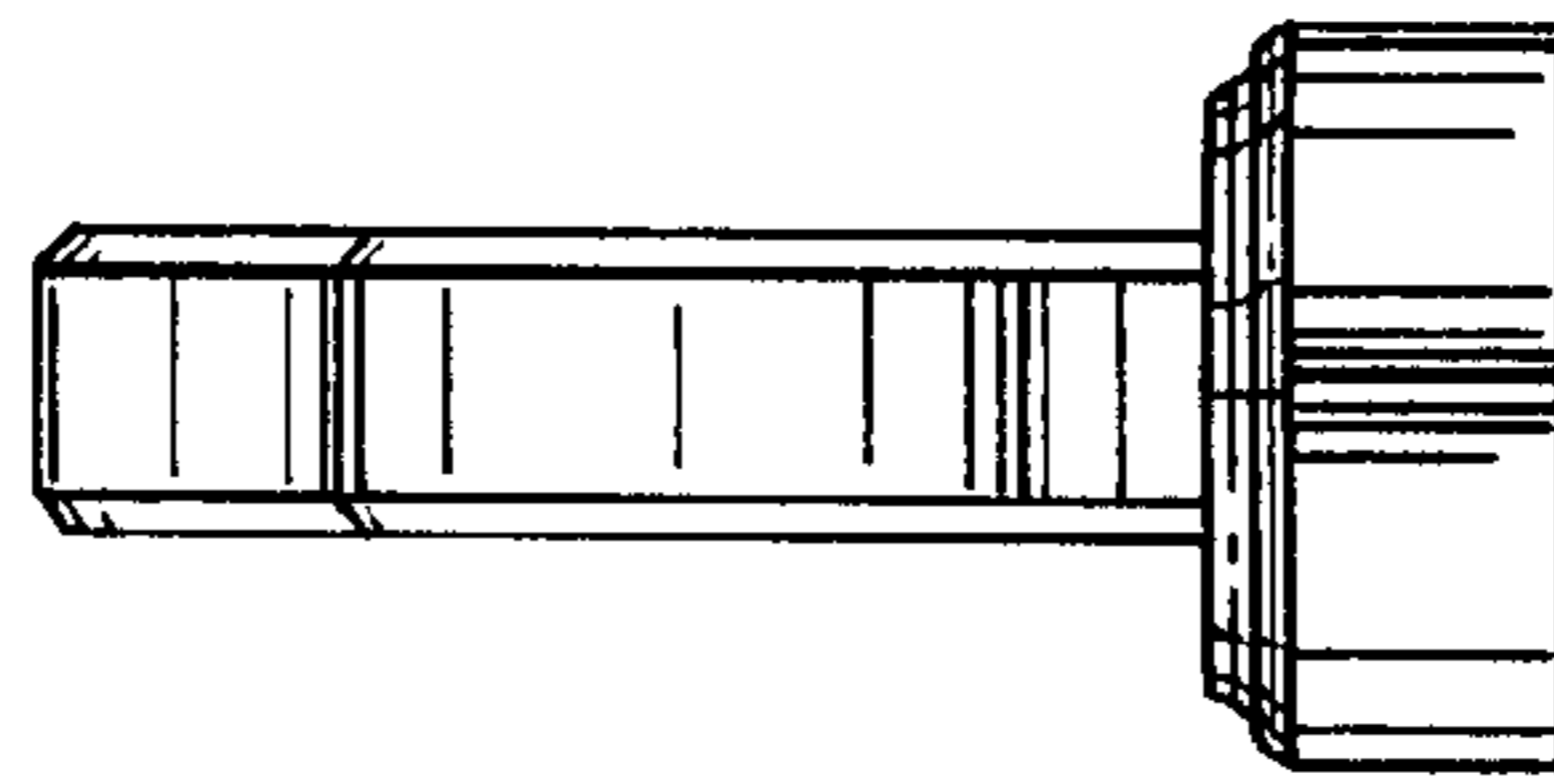


Fig. 6

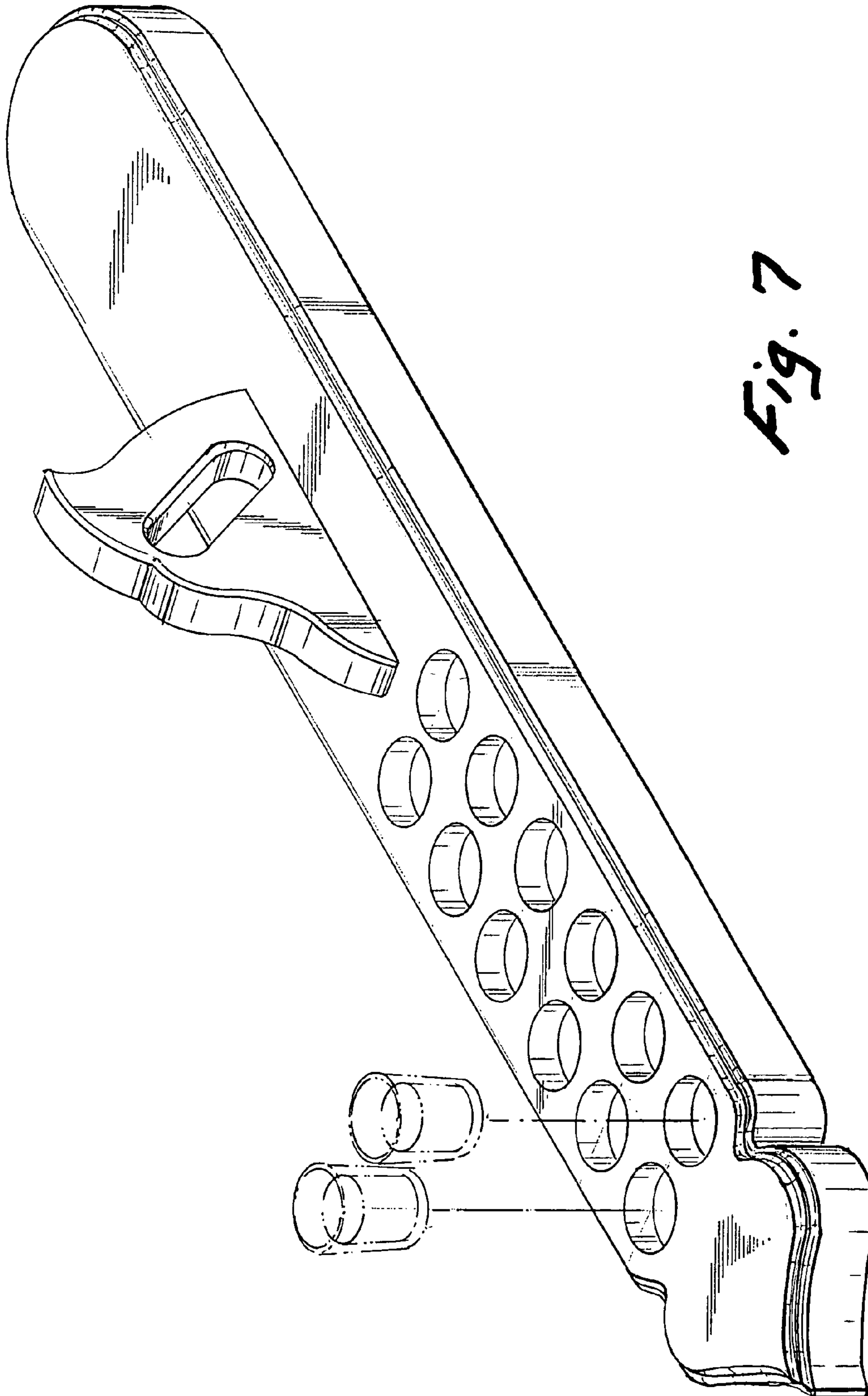


Fig. 7

Fig. 8

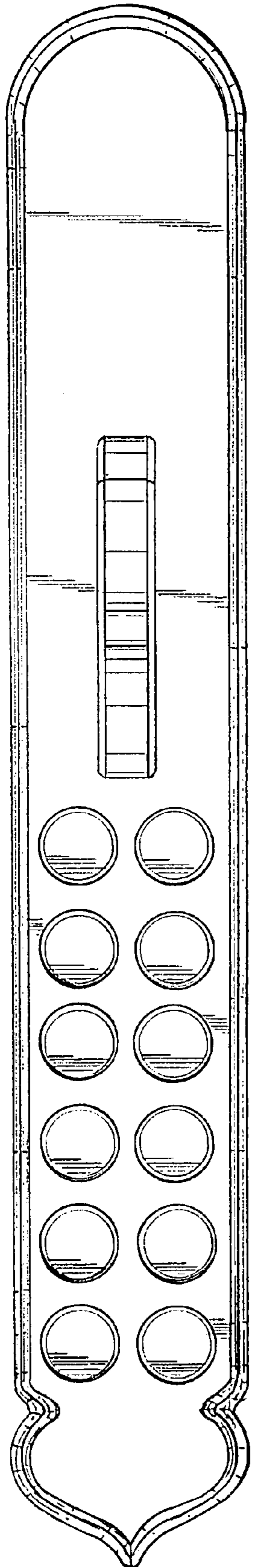
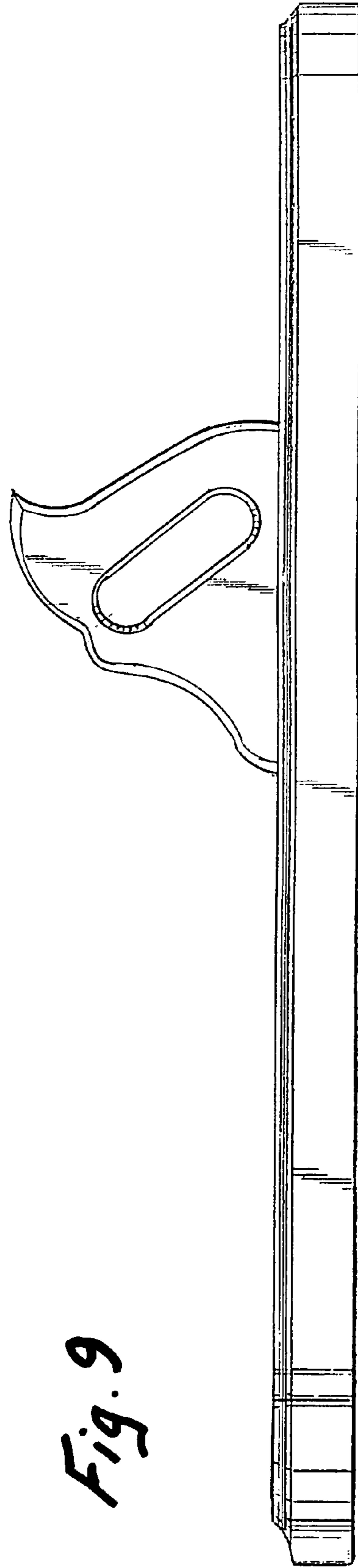


Fig. 9



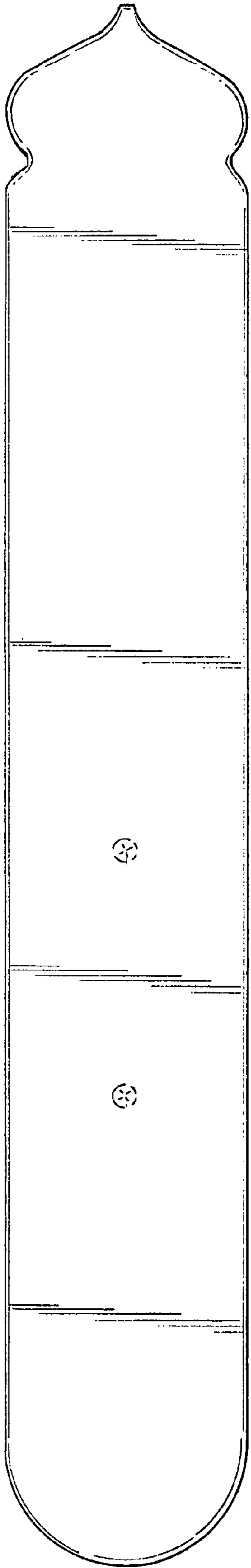


Fig. 10

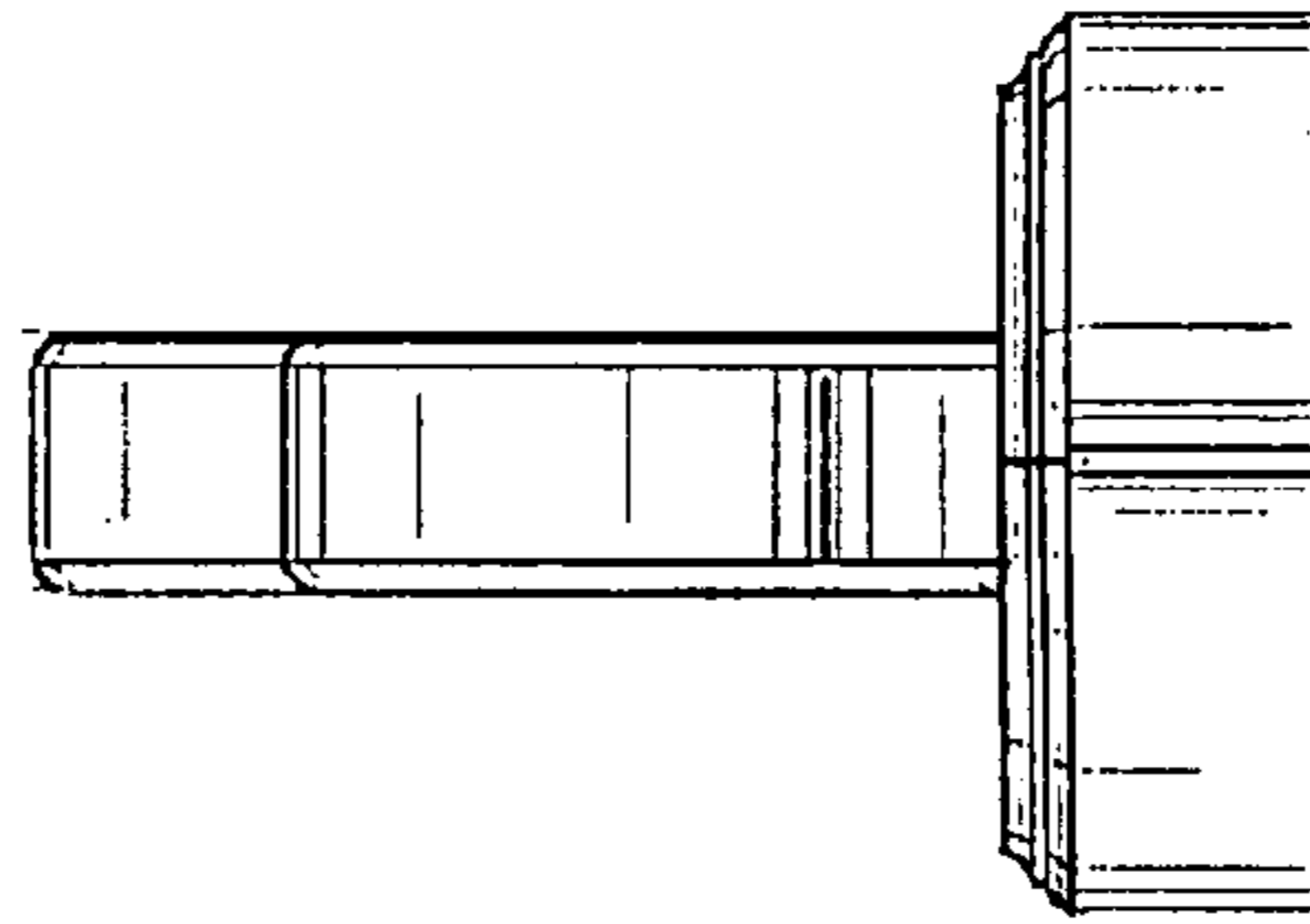


Fig. 12

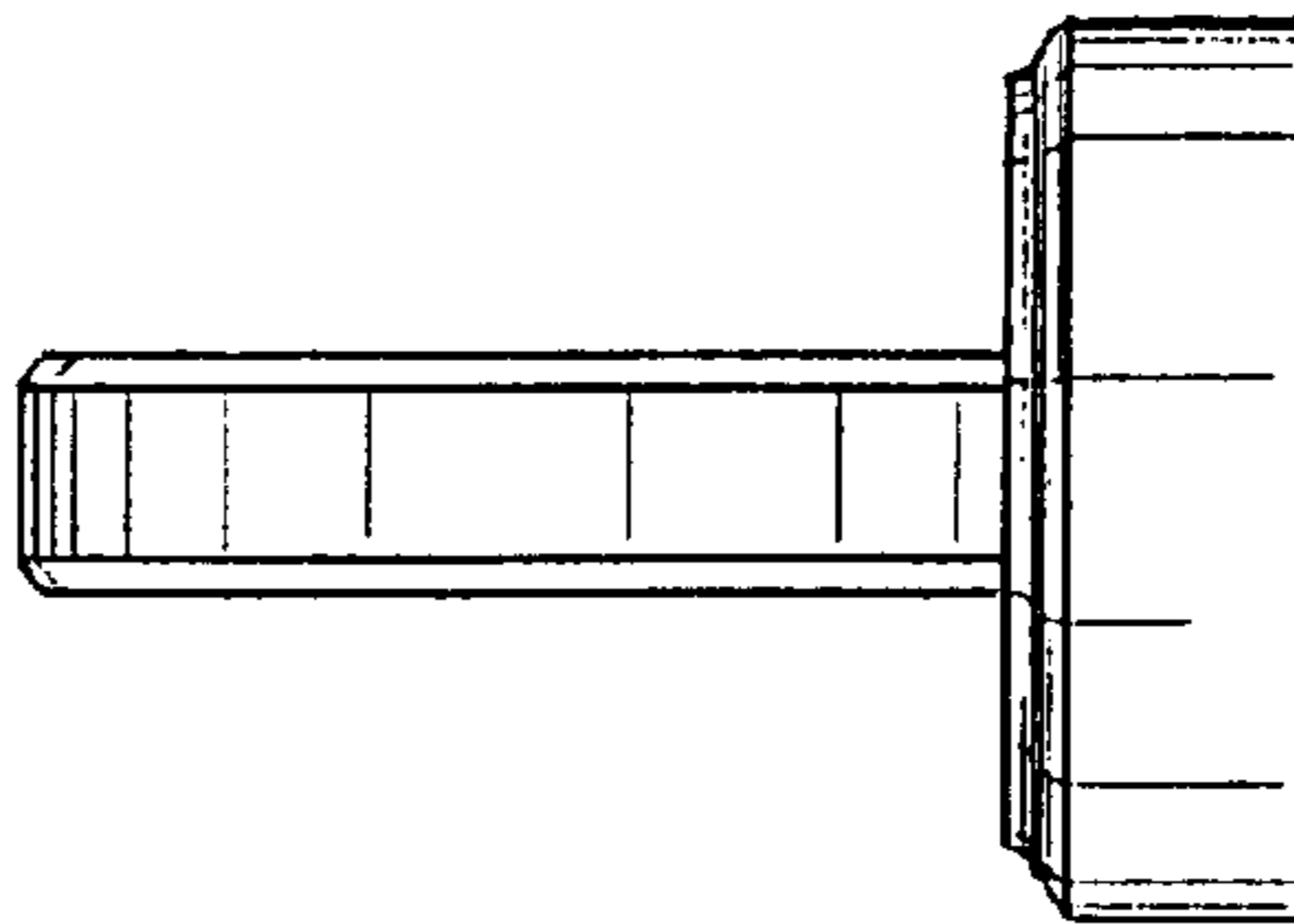


Fig. 11