



US00D546626S

(12) **United States Design Patent**
Chou

(10) **Patent No.:** **US D546,626 S**

(45) **Date of Patent:** **** Jul. 17, 2007**

(54) **DRINK CUP**

(76) **Inventor:** **Bob Chou**, 963 N. Fletcher Ave., Valley Stream, NY (US) 11580

(**) **Term:** **14 Years**

(21) **Appl. No.:** **29/271,581**

(22) **Filed:** **Jan. 23, 2007**

(51) **LOC (8) Cl.** **07-01**

(52) **U.S. Cl.** **D7/523; D7/509; D7/531; D7/560; D7/565**

(58) **Field of Classification Search** D7/396.2, D7/500, 509, 510, 523, 524, 526-528, 530-532, D7/540, 565, 584, 900; D9/500, 502, 516, D9/519, 549, 555, 776, 778; D34/1; 215/10, 215/387, DIG. 7; 220/495.04, 560, 592.16, 220/592.17, 703; 226/406; 229/400; 383/110
See application file for complete search history.

(56) **References Cited**

U.S. PATENT DOCUMENTS

- 3,045,887 A * 7/1962 Caine 229/400
- 3,549,053 A * 12/1970 Anderson 222/153.06
- 3,606,262 A * 9/1971 Van't 366/341
- D230,387 S * 2/1974 Doman et al. D7/531

- D279,168 S * 6/1985 Goldsmith D9/429
- 6,053,352 A * 4/2000 Cai 220/739
- D426,427 S * 6/2000 Rubbright et al. D7/565
- 6,175,105 B1 * 1/2001 Rubbright et al. 219/725
- 6,217,918 B1 * 4/2001 Oh et al. 426/89
- 6,315,150 B1 * 11/2001 Takai et al. 220/628
- D453,447 S * 2/2002 Bi D7/531
- D454,755 S * 3/2002 Jorgensen D7/510
- D473,788 S * 4/2003 Chen et al. D9/428

* cited by examiner

Primary Examiner—Philip S. Hyder

Assistant Examiner—Cynthia Underwood

(74) *Attorney, Agent, or Firm*—Rosenberg, Klein & Lee

(57) **CLAIM**

The ornamental design for a drink cup, as show and described.

DESCRIPTION

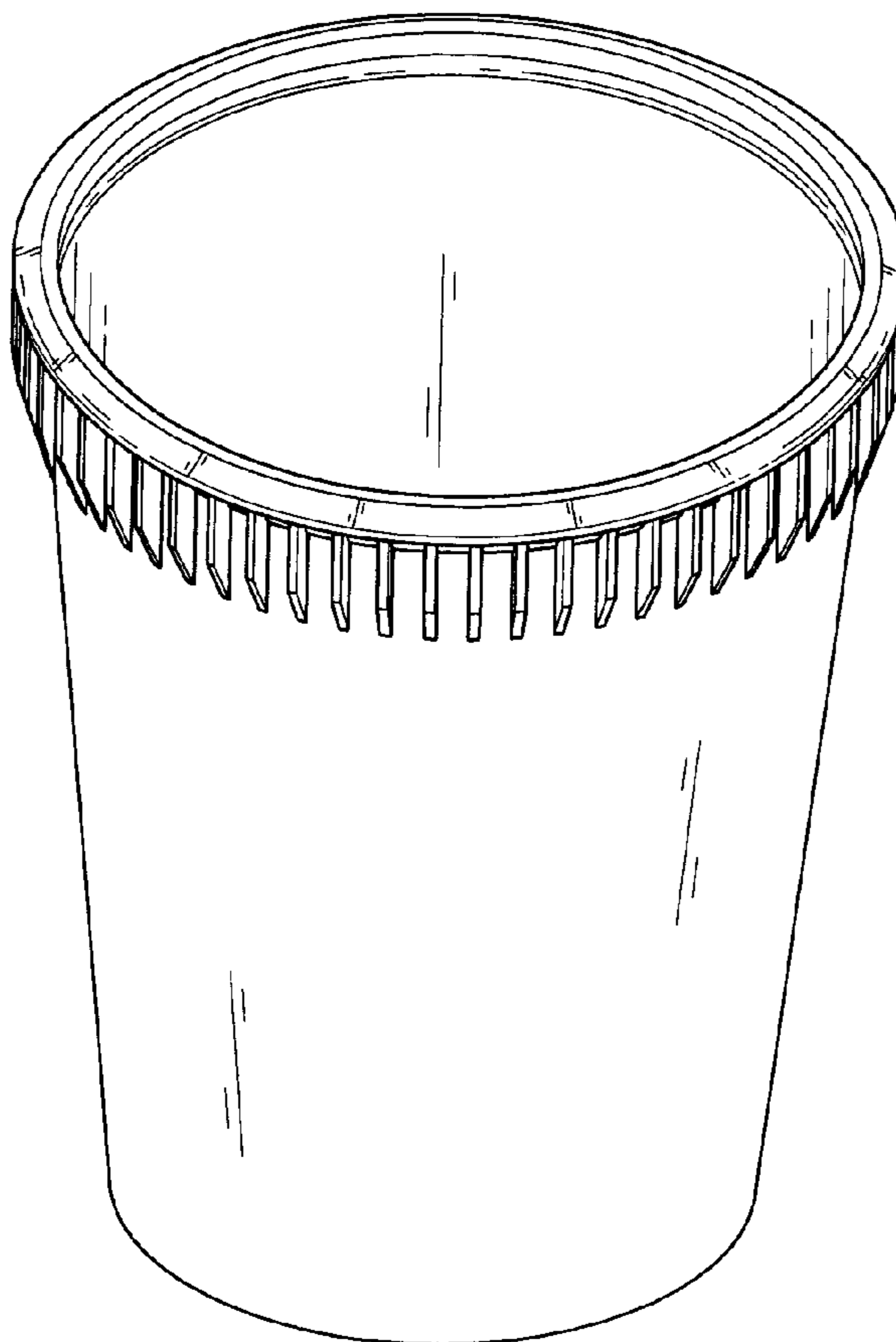
FIG. 1 is a perspective view of a drink cup showing my new design;

FIG. 2 is a side elevational view thereof;

FIG. 3 is a top plan view thereof; and,

FIG. 4 is a bottom plan view thereof.

1 Claim, 3 Drawing Sheets



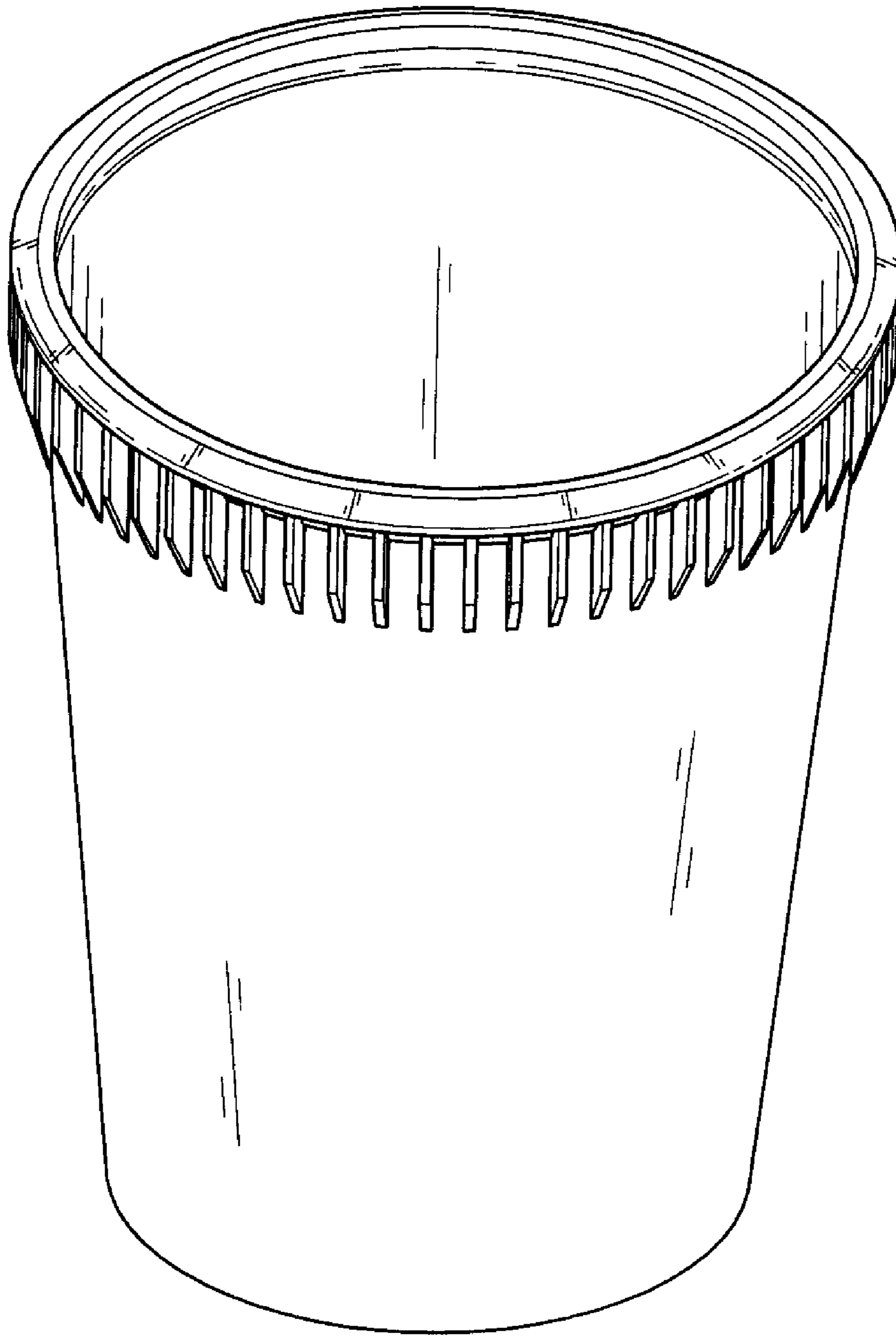


FIG. 1

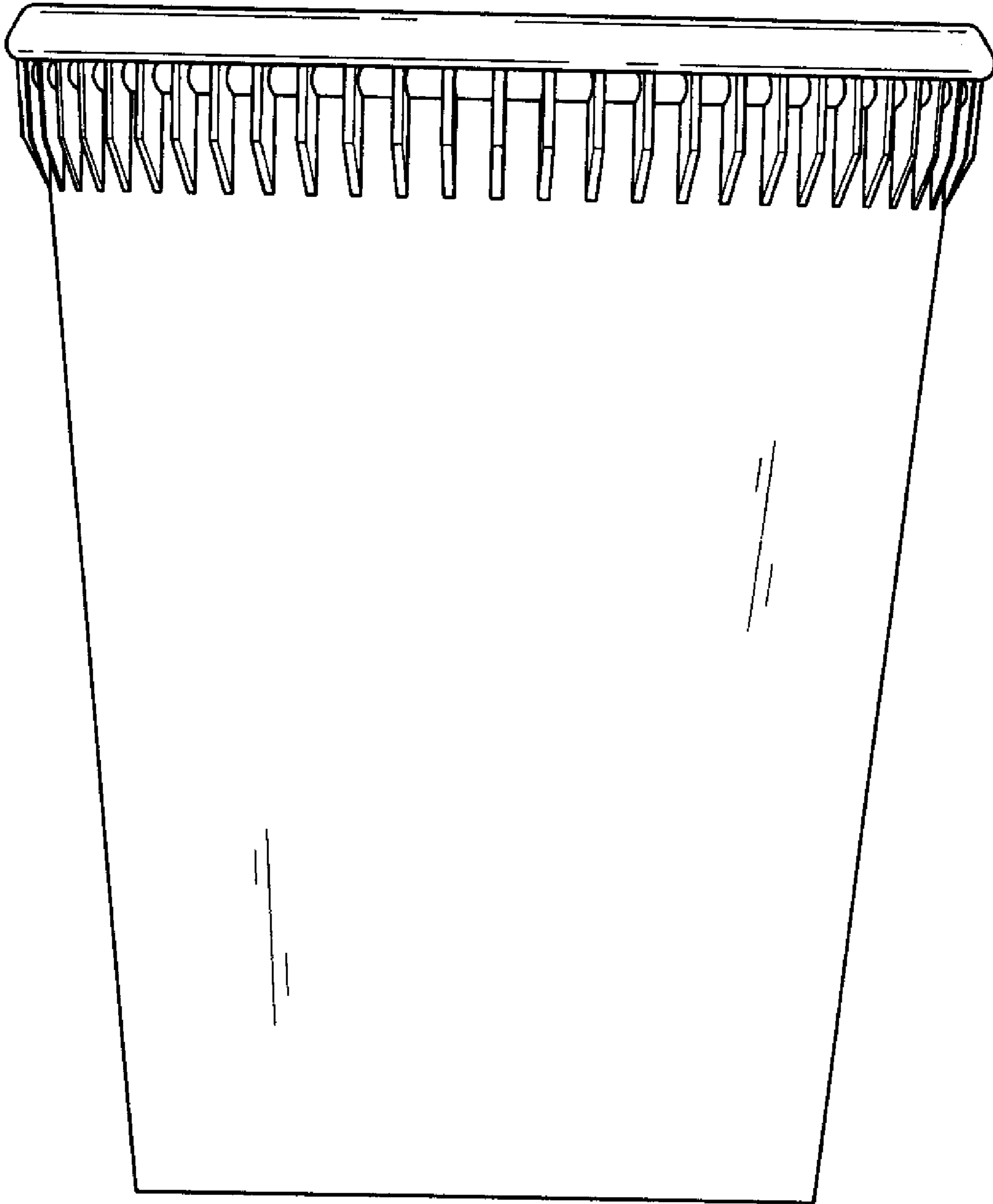


FIG.2

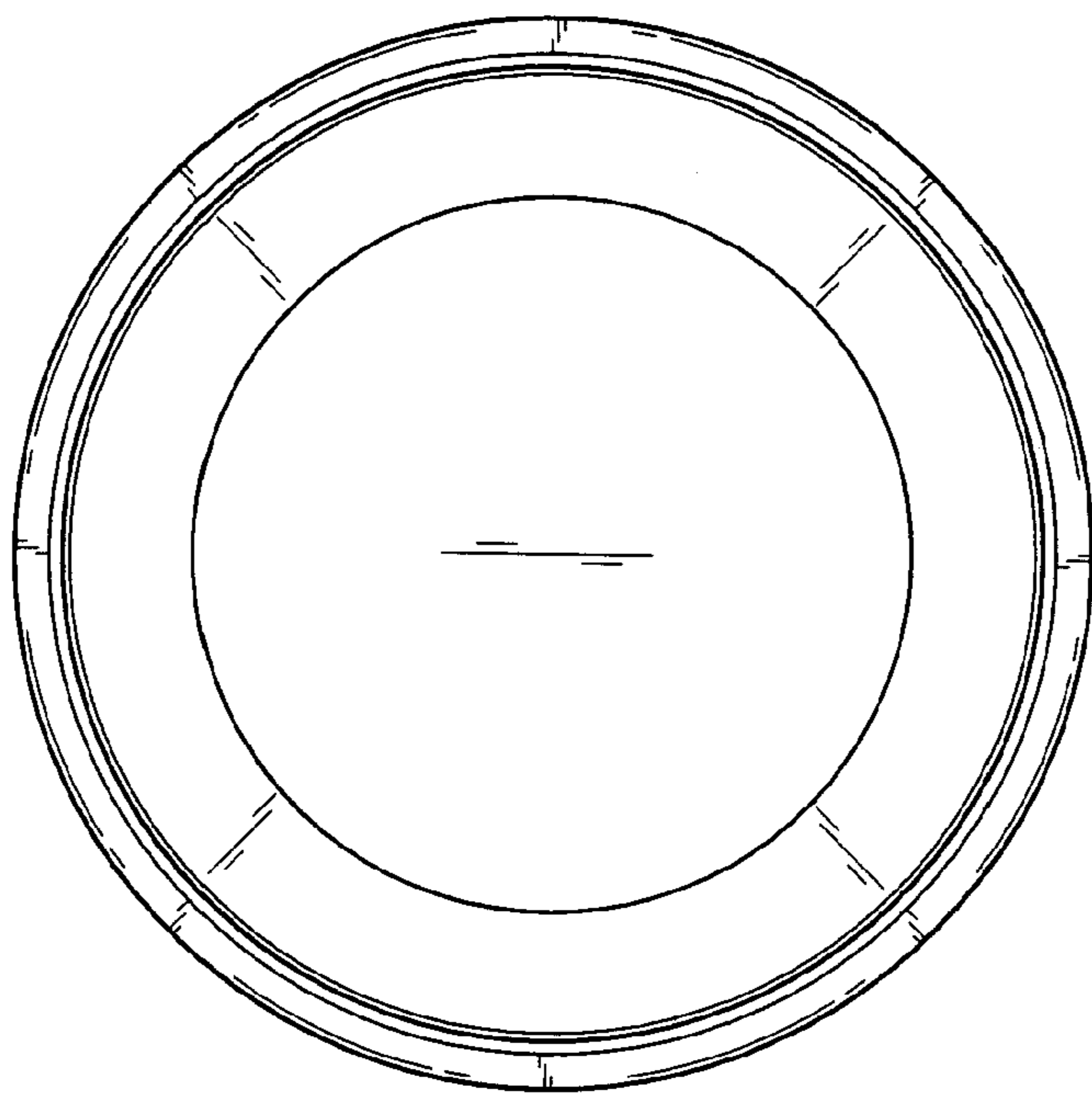


FIG.3

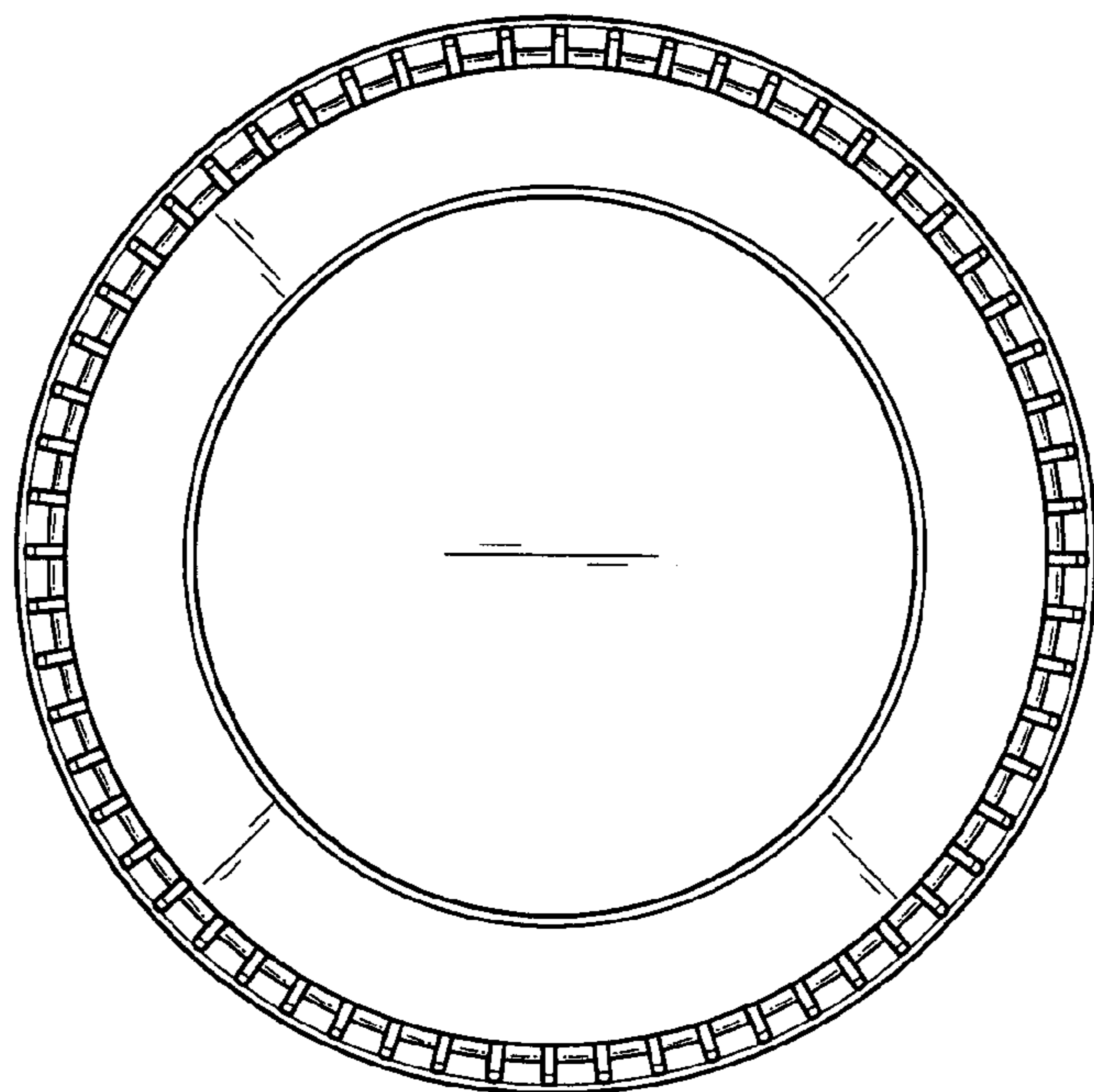


FIG.4