



US00D546617S

(12) **United States Design Patent**
Griffard

(10) **Patent No.:** **US D546,617 S**

(45) **Date of Patent:** **** Jul. 17, 2007**

(54) **BARBEQUE GRILL HAVING A FOOTBALL GOALPOST MOTIF**

(76) Inventor: **John D. Griffard**, 1022 Koch's La., Quincy, IL (US) 62305

(**) Term: **14 Years**

(21) Appl. No.: **29/253,220**

(22) Filed: **Feb. 2, 2006**

(51) **LOC (8) Cl.** **07-02**

(52) **U.S. Cl.** **D7/335**

(58) **Field of Classification Search** D7/332-337, D7/402-405; D23/335-336, 343; 126/500, 126/506, 519, 40, 50, 9 R, 9 B, 25 R, 25 A, 126/304 R, 305, 268, 276, 41 R, 37 R; 99/445, 99/448, 481-482; 248/128-129; 312/249.8, 312/249.13, 351.2; D6/511, 574
See application file for complete search history.

(56) **References Cited**

U.S. PATENT DOCUMENTS

- D98,397 S * 1/1936 Howard D23/336
- 3,964,463 A * 6/1976 Dailey 126/41 R
- D244,249 S * 5/1977 Boswell et al. D7/332
- D267,970 S * 2/1983 Gronwick D23/336
- D324,554 S * 3/1992 McKinney D21/699

- D374,371 S * 10/1996 Hall McDonald D7/332
- D463,948 S * 10/2002 Innes D7/332
- D465,962 S * 11/2002 Favela D7/335
- D481,903 S * 11/2003 Hester D7/332
- D486,348 S * 2/2004 Zhu D7/332
- D524,091 S * 7/2006 Lai D7/332

* cited by examiner

Primary Examiner—Ruth McInroy

(74) *Attorney, Agent, or Firm*—Bryan Cave LLP

(57) **CLAIM**

I claim the ornamental design for a barbeque grill having a football goalpost motif, as shown.

DESCRIPTION

FIG. 1 is a front elevation view of a barbeque grill having a football goalpost motif showing my new design;

FIG. 2 is a top plan view thereof;

FIG. 3 is a right side elevation view thereof;

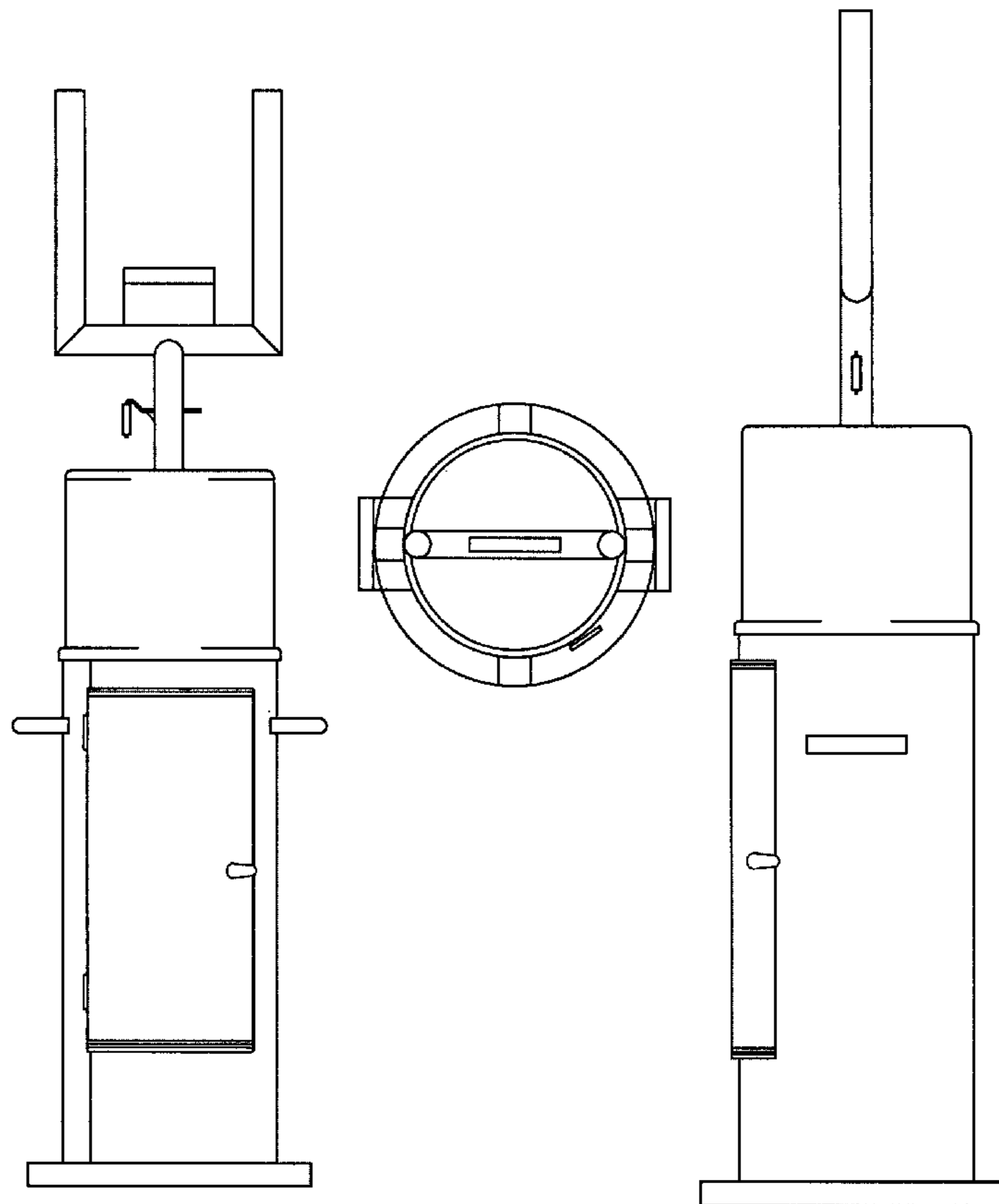
FIG. 4 is a back elevation view thereof;

FIG. 5 is a bottom plan view thereof;

FIG. 6 is a left side elevation view thereof; and,

FIG. 7 is a perspective view thereof.

1 Claim, 5 Drawing Sheets



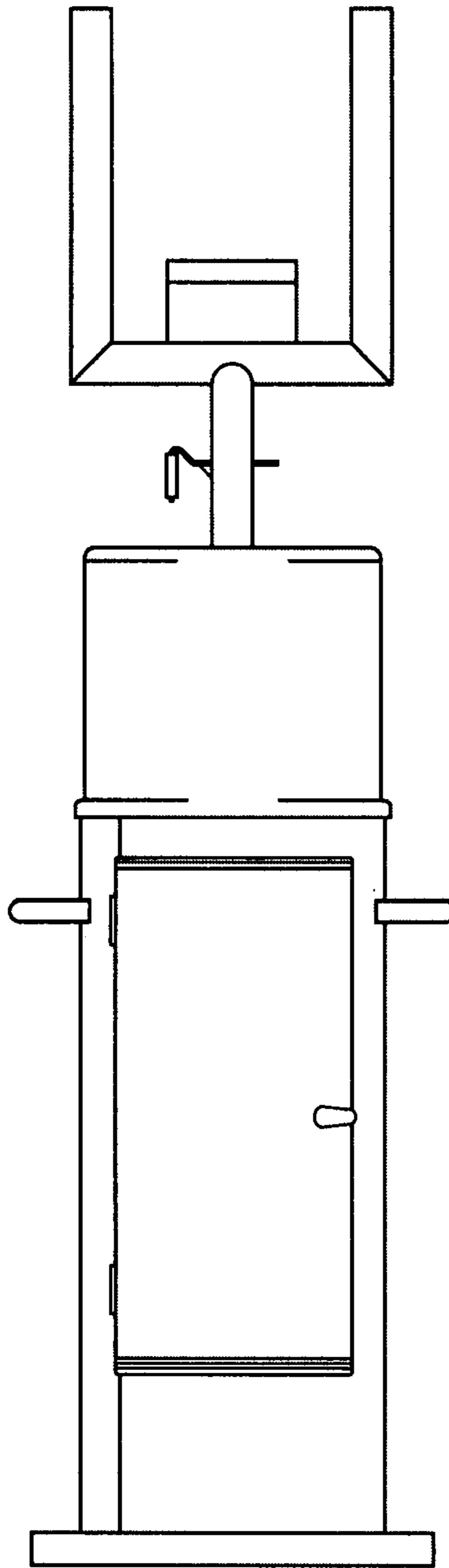


Fig. 1

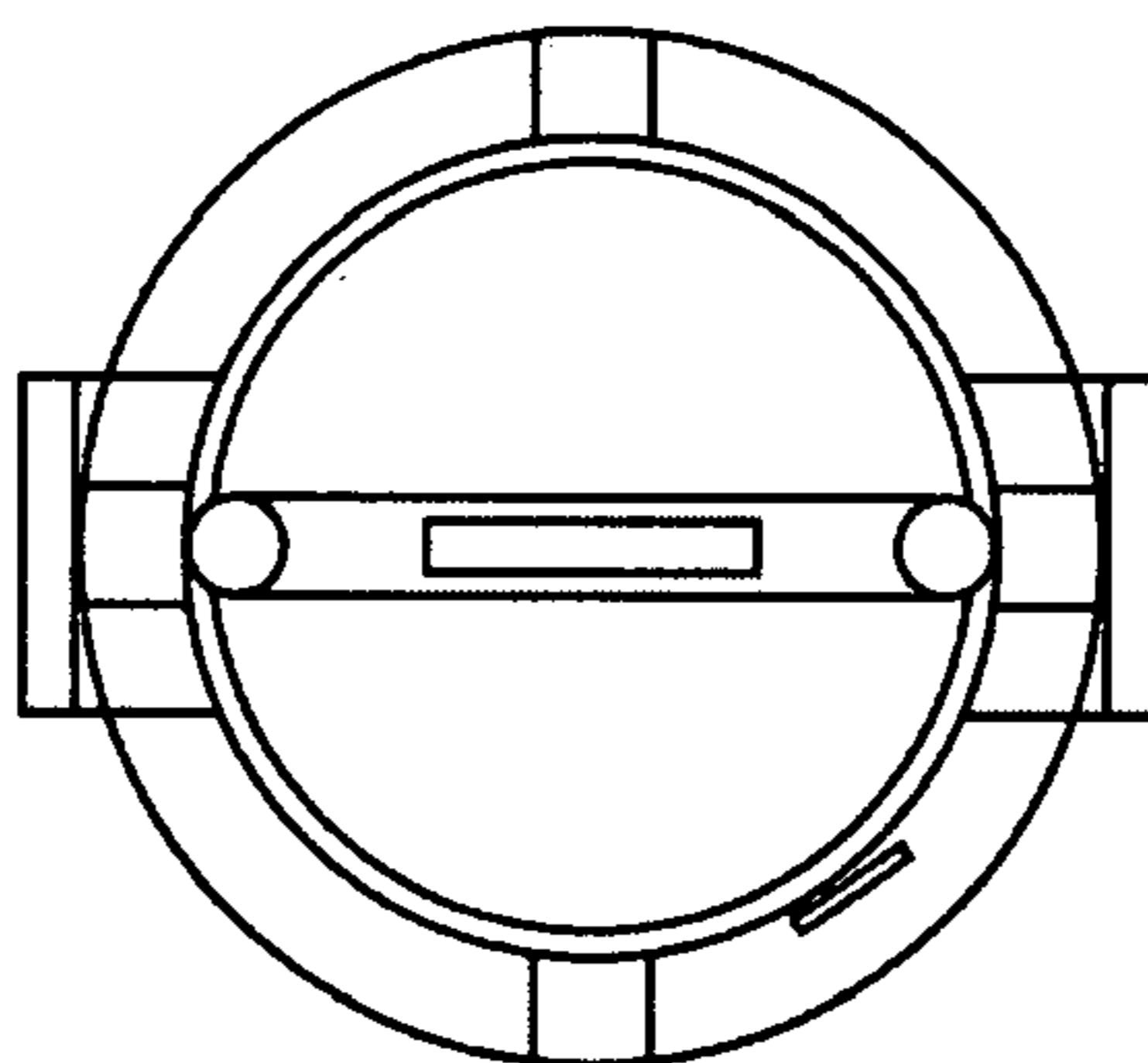


Fig. 2

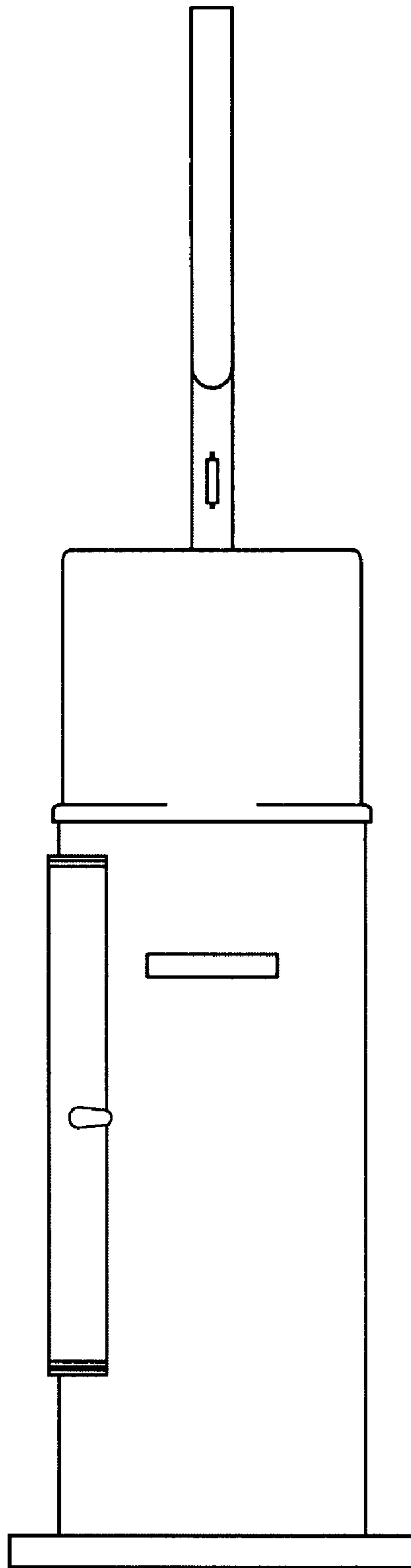


Fig. 3

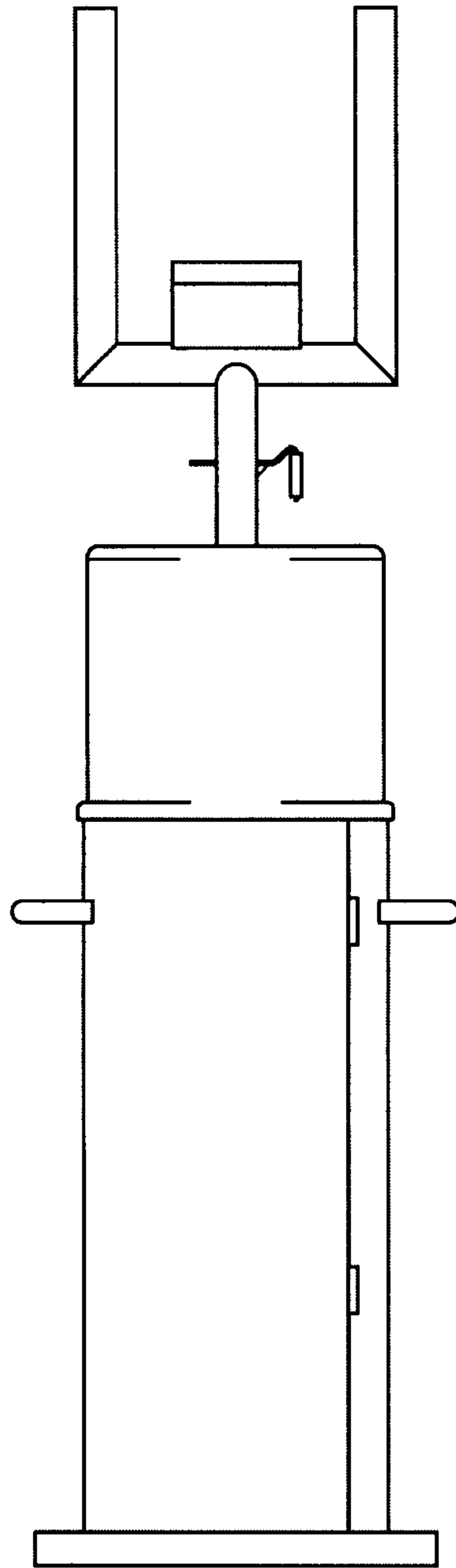


Fig. 4

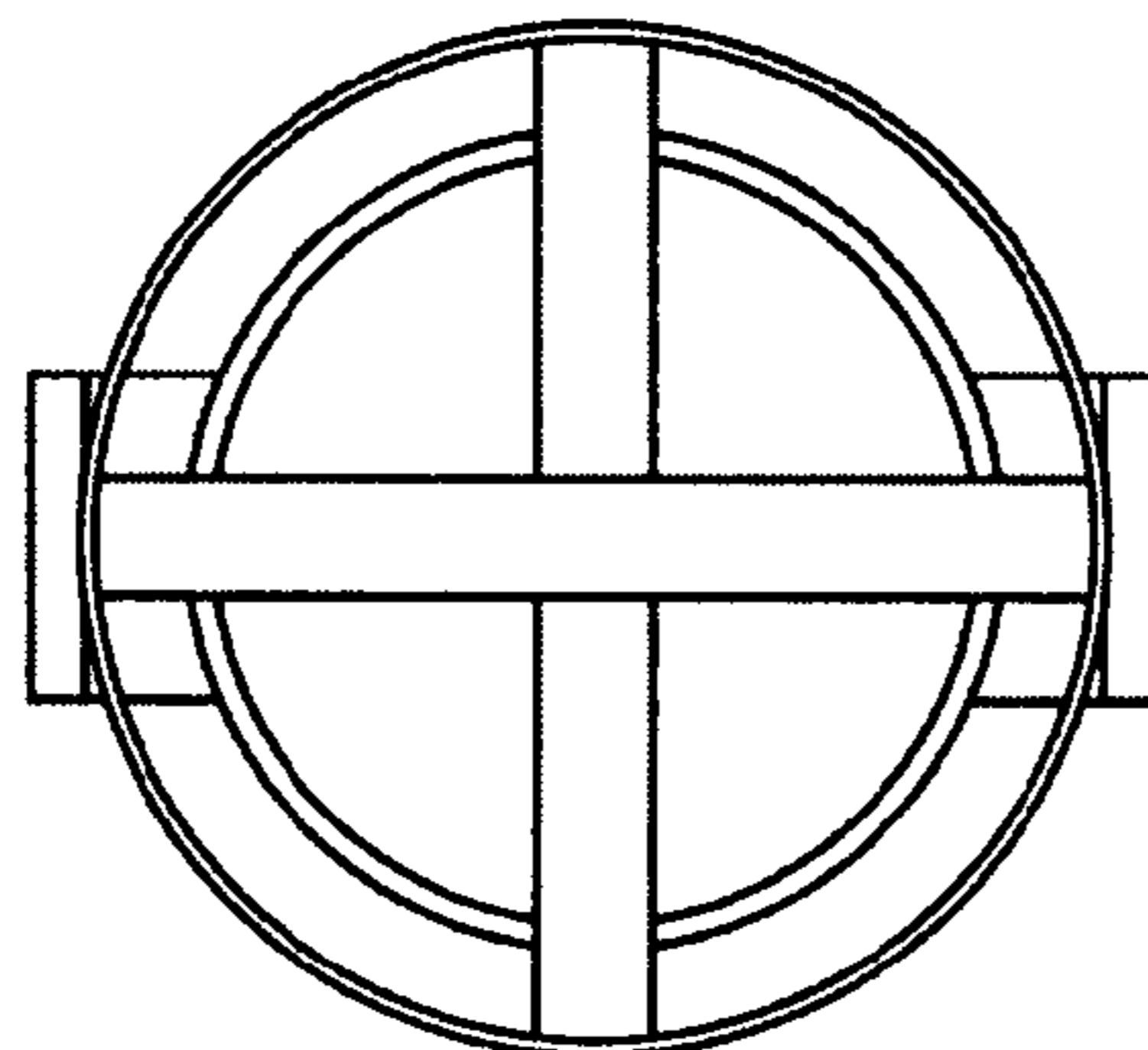


Fig. 5

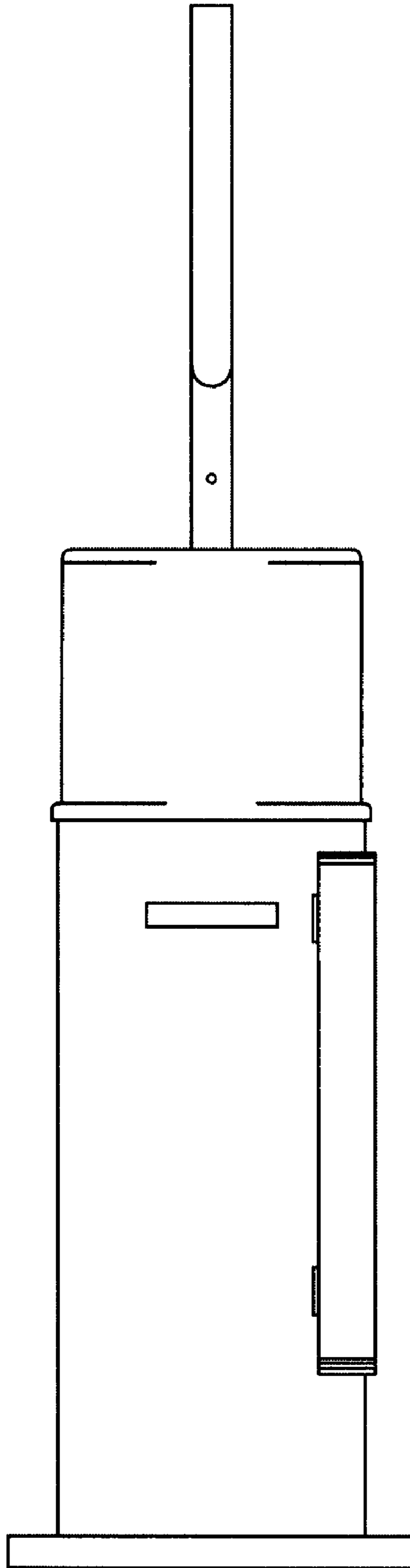


Fig. 6

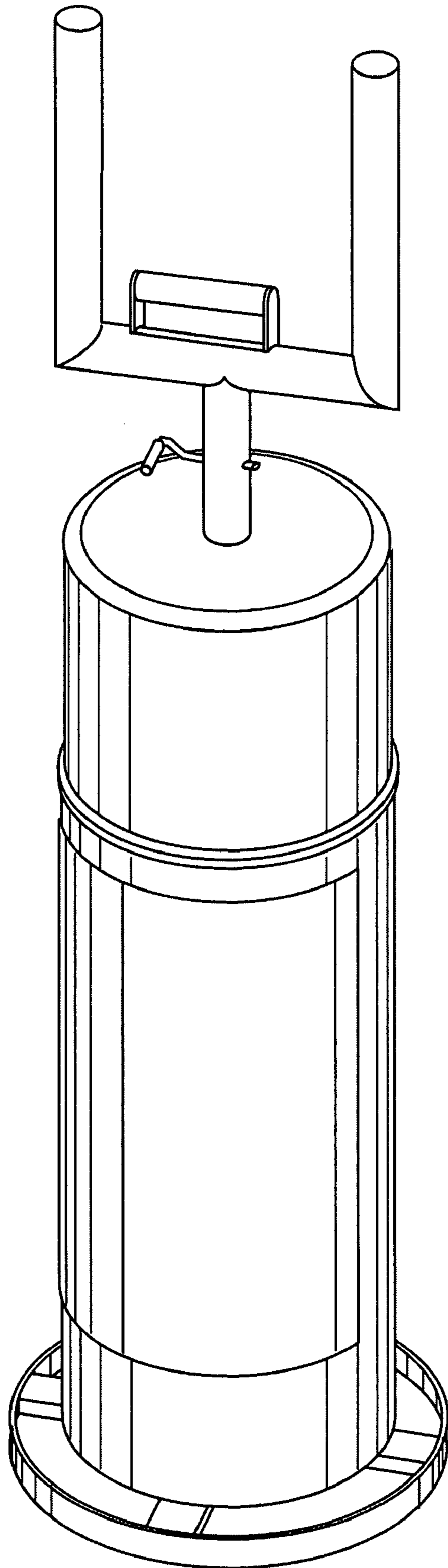


Fig. 7