



US00D546616S

(12) **United States Design Patent**
Tseng

(10) **Patent No.:** **US D546,616 S**

(45) **Date of Patent:** **** Jul. 17, 2007**

(54) **GRILL**

(75) Inventor: **Jackie Tseng**, Chiayi Hsien (TW)

(73) Assignee: **Sing Chen International Co., Ltd.**,
Chiayi Hsien (TW)

(**) Term: **14 Years**

(21) Appl. No.: **29/254,547**

(22) Filed: **Feb. 24, 2006**

(51) **LOC (8) Cl.** **07-02**

(52) **U.S. Cl.** **D7/334**

(58) **Field of Classification Search** D7/332-337,
D7/402-405; D23/335-336, 343; 126/500,
126/506, 519, 40, 50, 9 R, 9 B, 25 R, 25 A,
126/304 R, 305, 268, 276, 41 R, 37 R; 99/445,
99/448, 481-482; 248/128-129; 312/249.8,
312/249.13, 351.2; D6/511, 574
See application file for complete search history.

(56) **References Cited**

U.S. PATENT DOCUMENTS

- D406,489 S * 3/1999 Williams et al. D7/334
- D416,164 S * 11/1999 Wagner et al. D7/334
- D483,983 S * 12/2003 Harrod et al. D7/334
- D521,308 S * 5/2006 Tseng D7/334
- D525,072 S * 7/2006 Wilgus et al. D7/334
- D528,349 S * 9/2006 Chung D7/334

- D528,849 S * 9/2006 Chung D7/334
- D528,851 S * 9/2006 Chung D7/334
- D529,329 S * 10/2006 Chung D7/334
- D529,330 S * 10/2006 Chung D7/334
- D529,331 S * 10/2006 Chung D7/334
- D533,011 S * 12/2006 Pai D7/334

* cited by examiner

Primary Examiner—Ruth McInroy

(74) *Attorney, Agent, or Firm*—Caesar, Rivise, Bernstein,
Cohen & Pokotilow, Ltd.

(57) **CLAIM**

I claim the ornamental design for a grill, as shown and described.

DESCRIPTION

FIG. 1 is a perspective view of a grill showing my new design;

FIG. 2 is a front elevational view thereof;

FIG. 3 is a rear elevational view thereof;

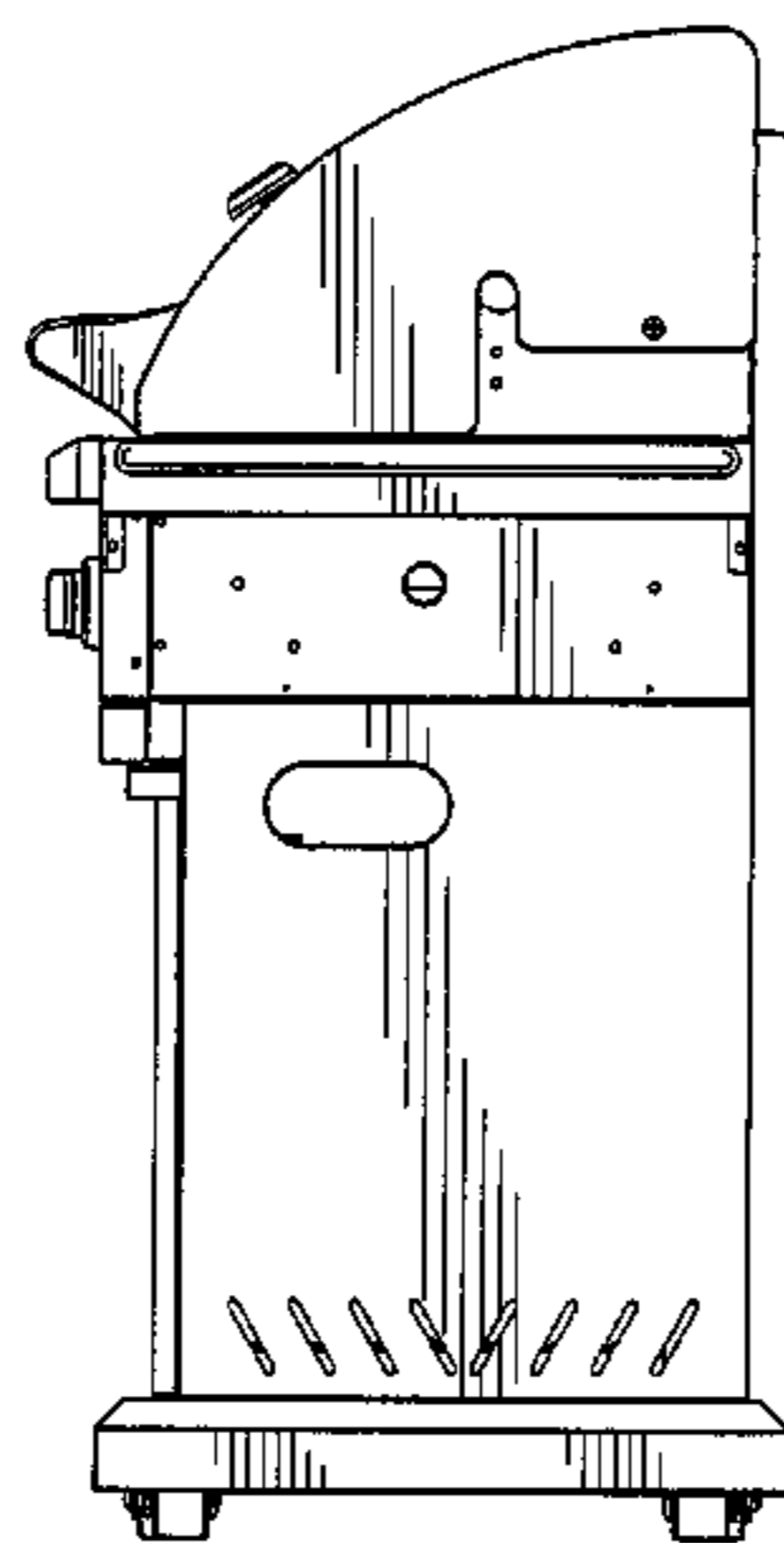
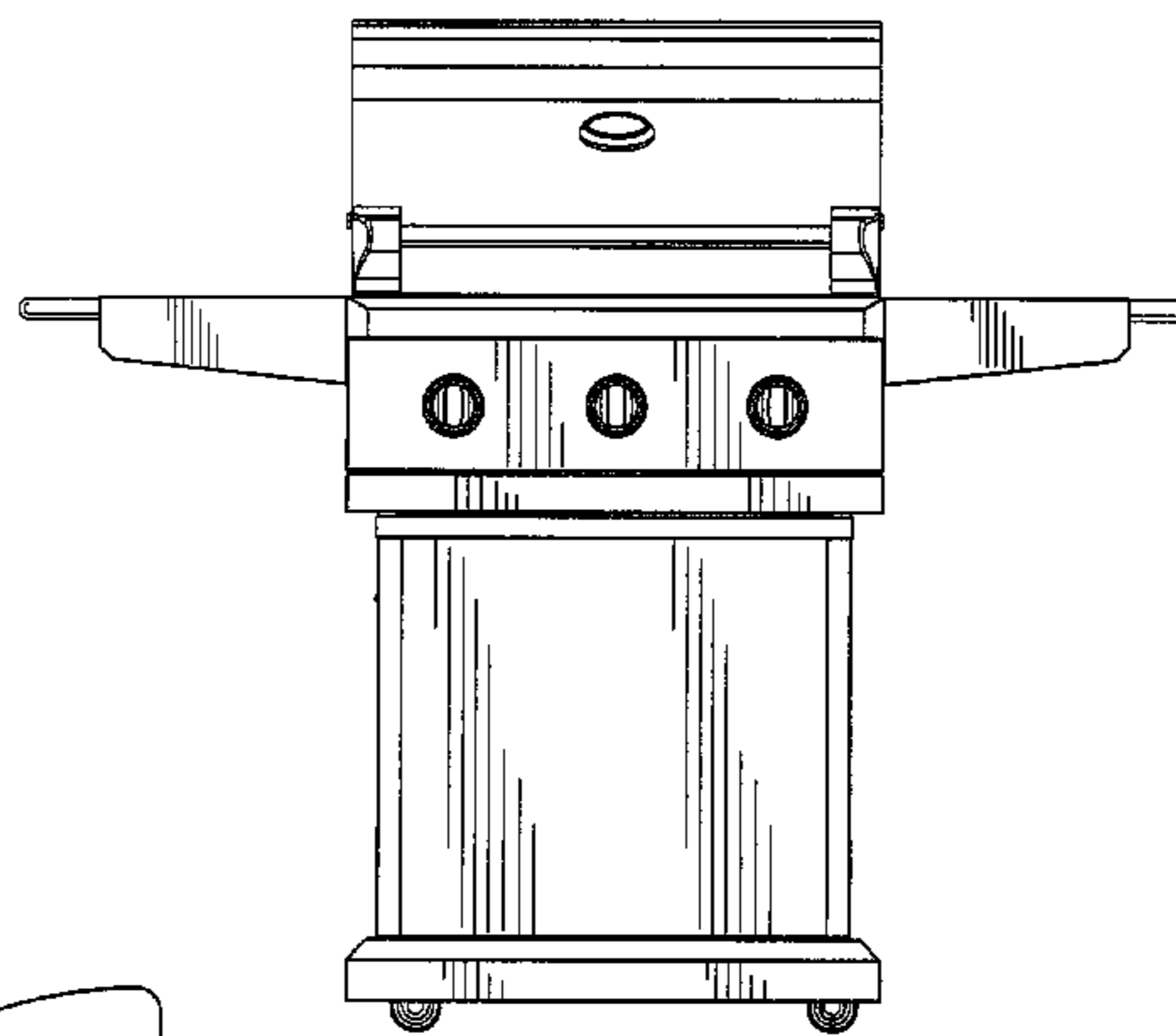
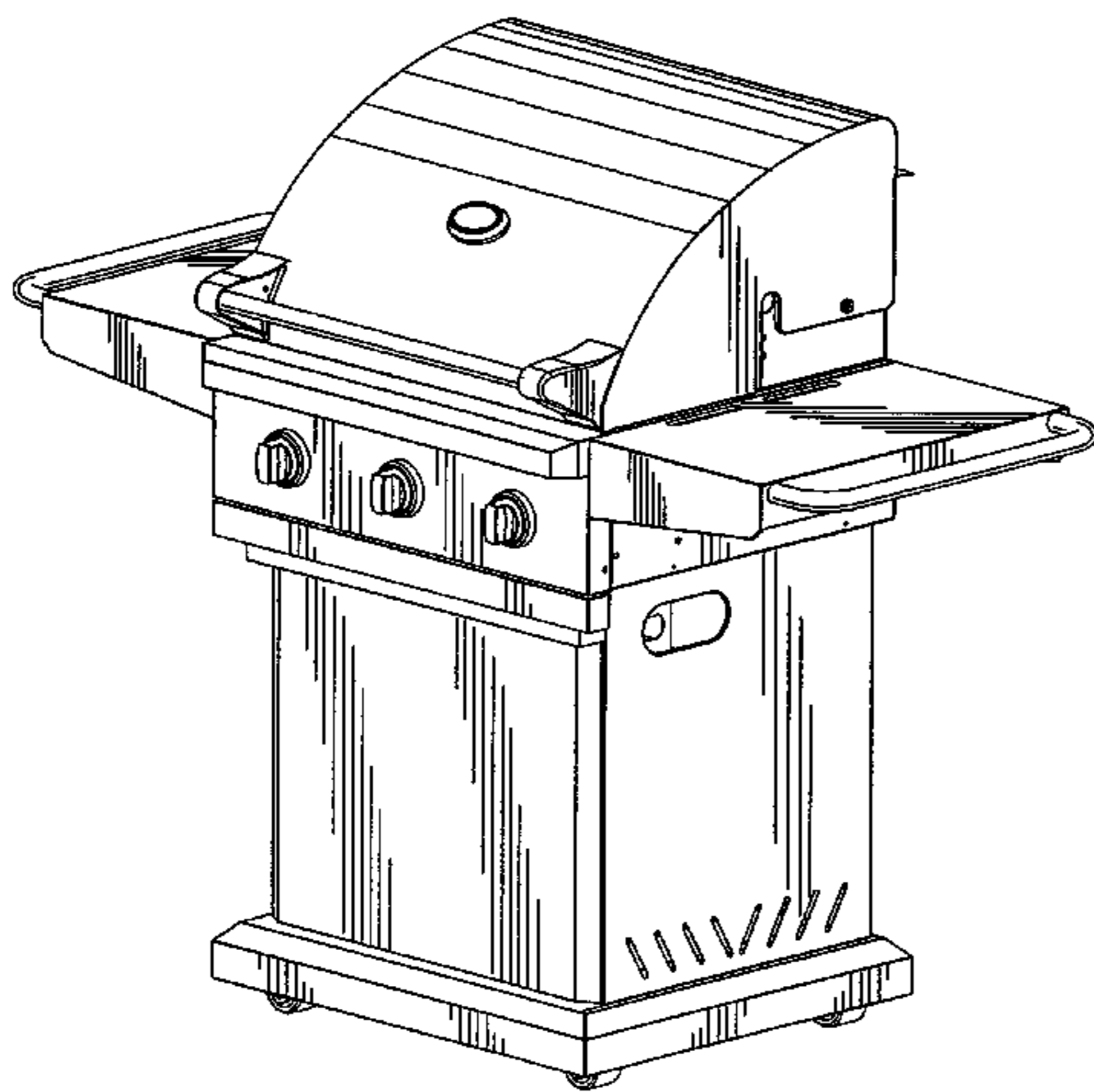
FIG. 4 is a left side elevational view thereof;

FIG. 5 is a right side elevational view thereof;

FIG. 6 is a top plan view thereof; and,

FIG. 7 is a bottom plan view thereof.

1 Claim, 6 Drawing Sheets



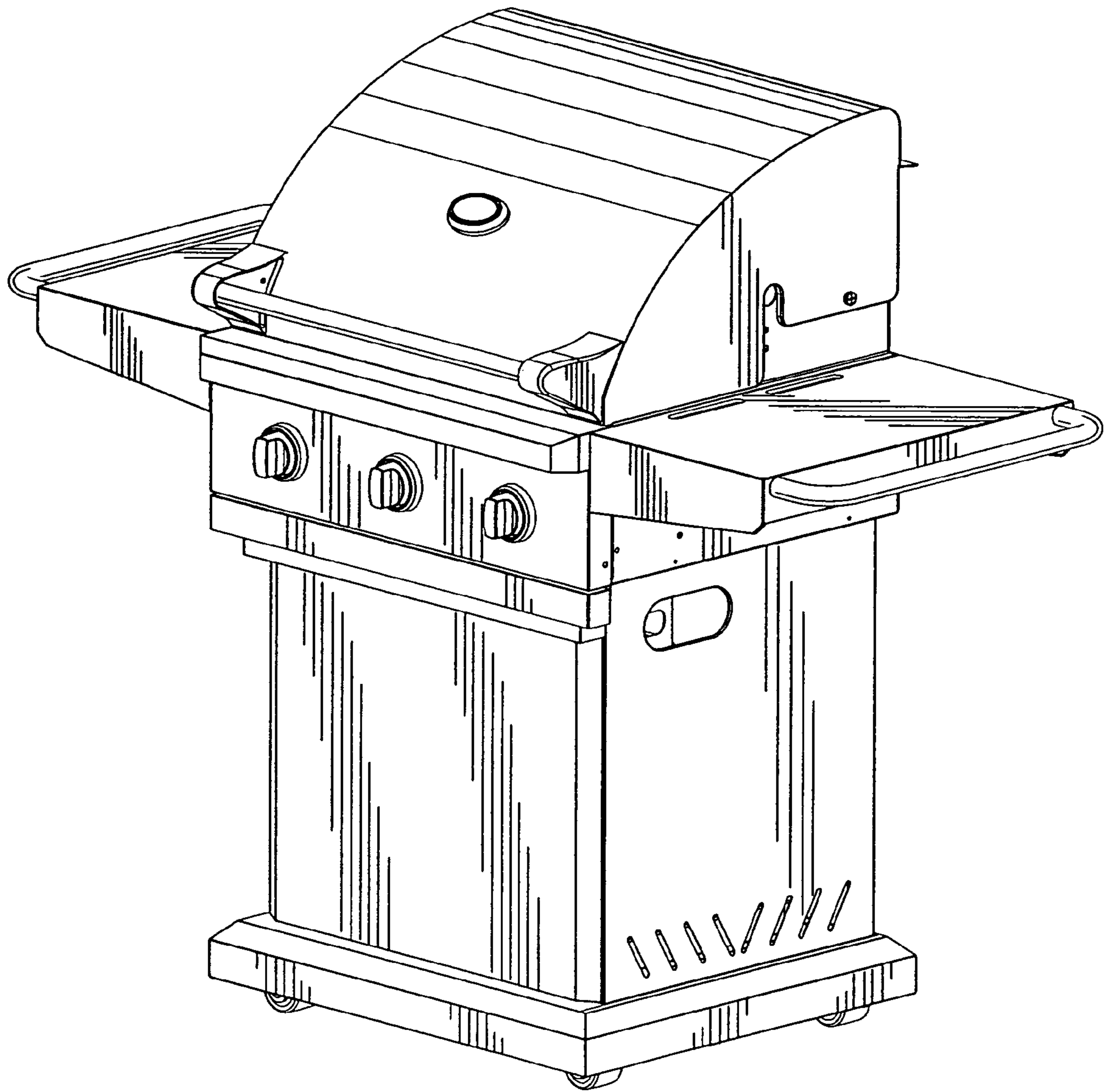


FIG. 1

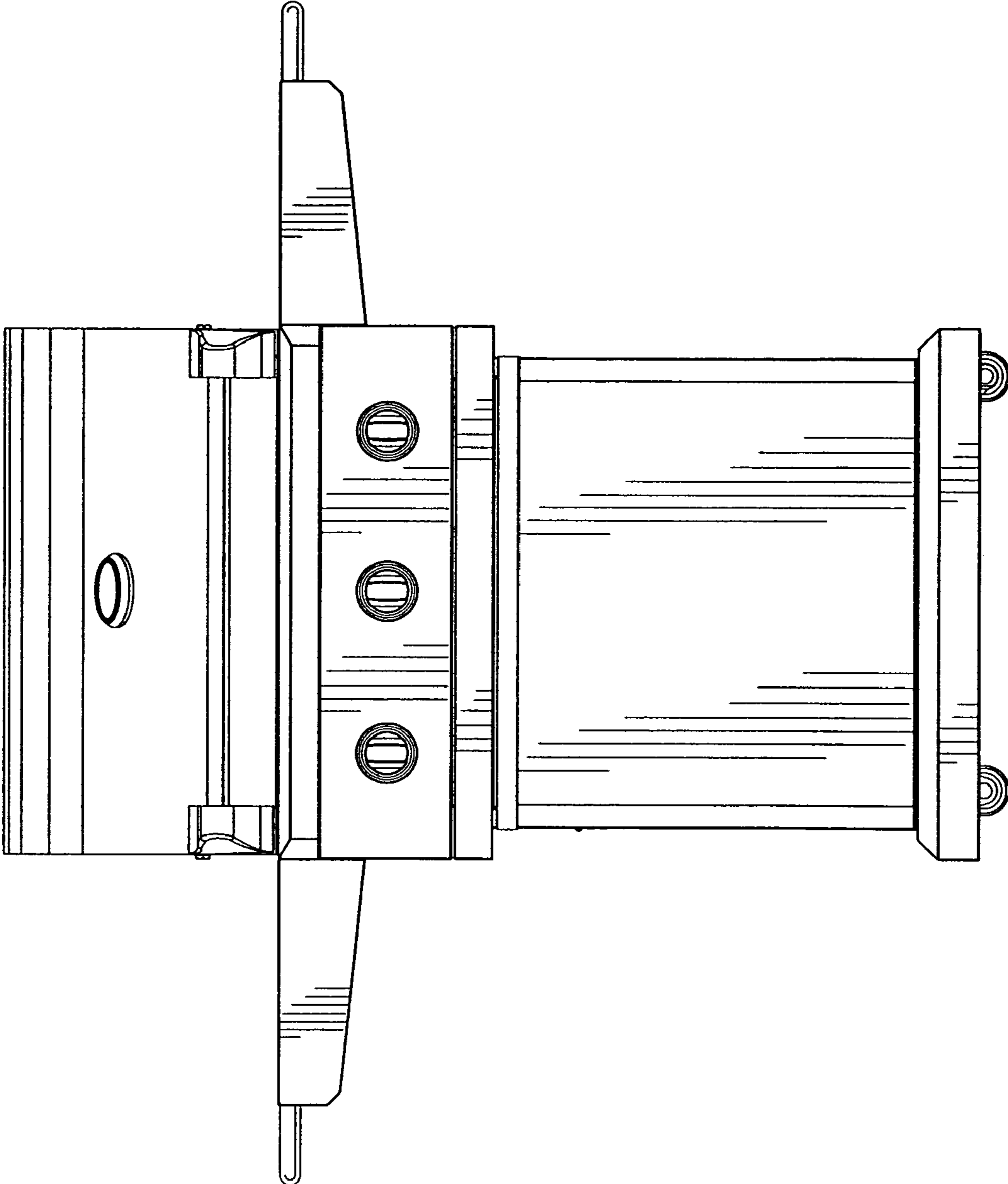


FIG. 2

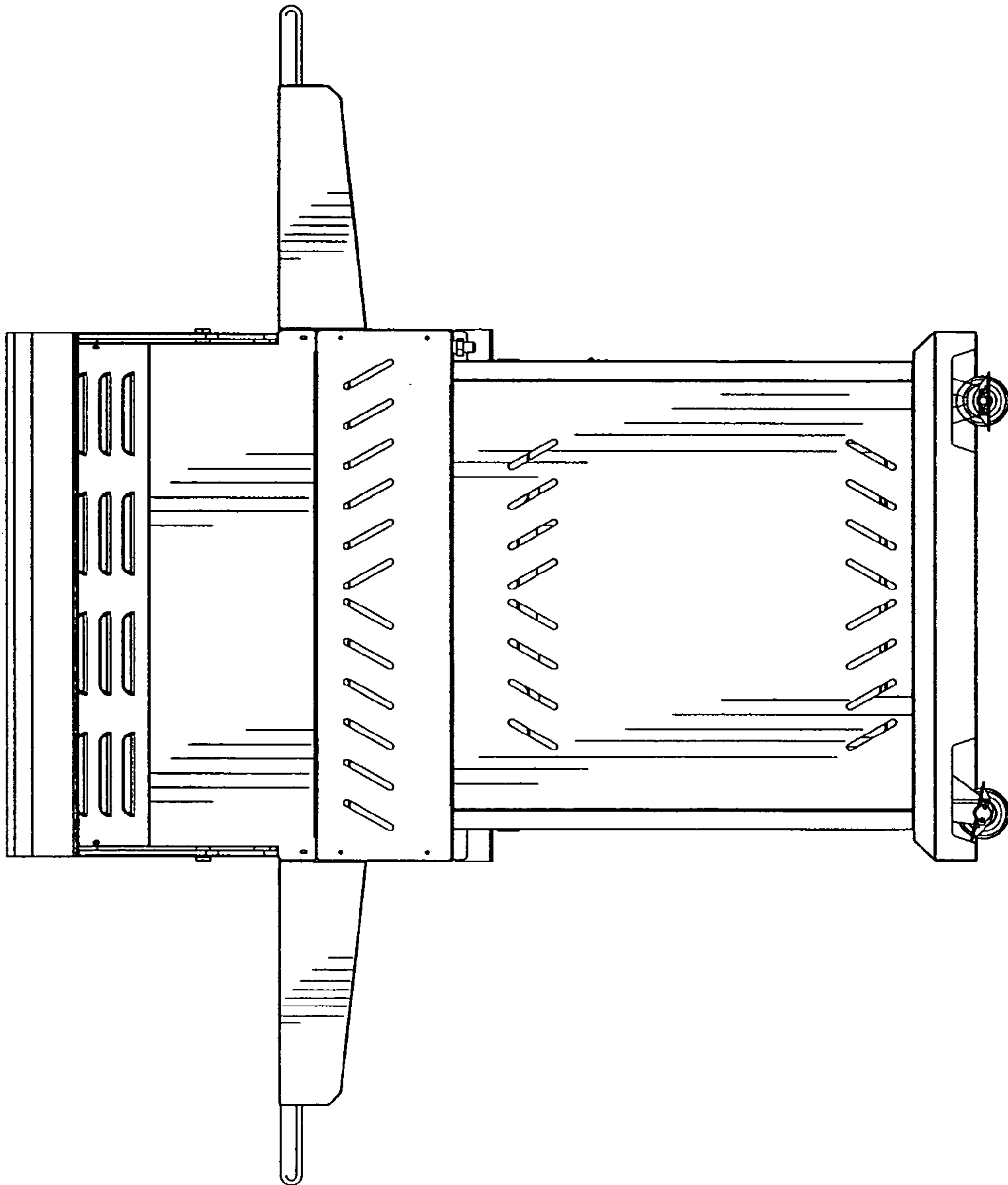


FIG. 3

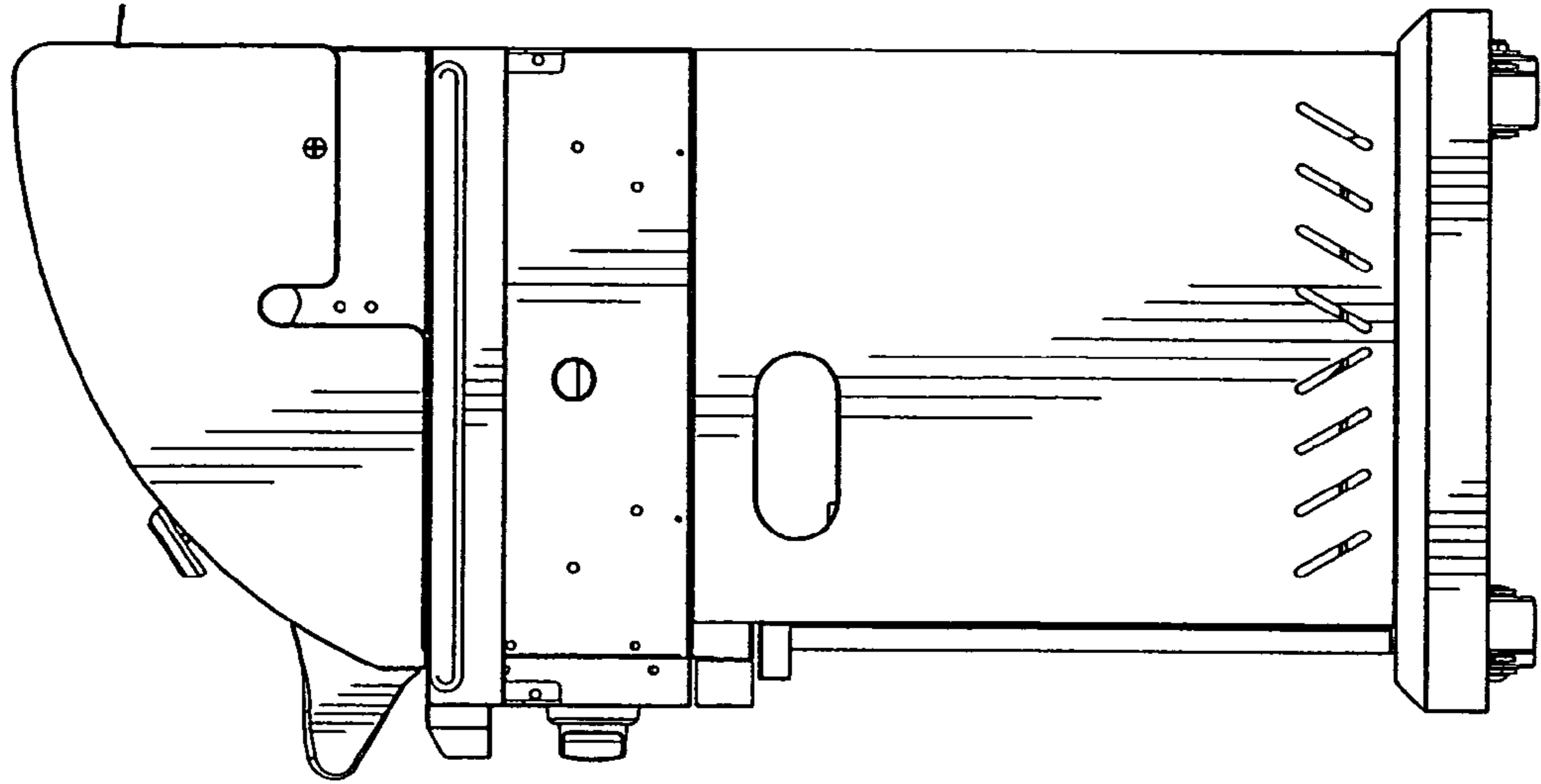


FIG. 4

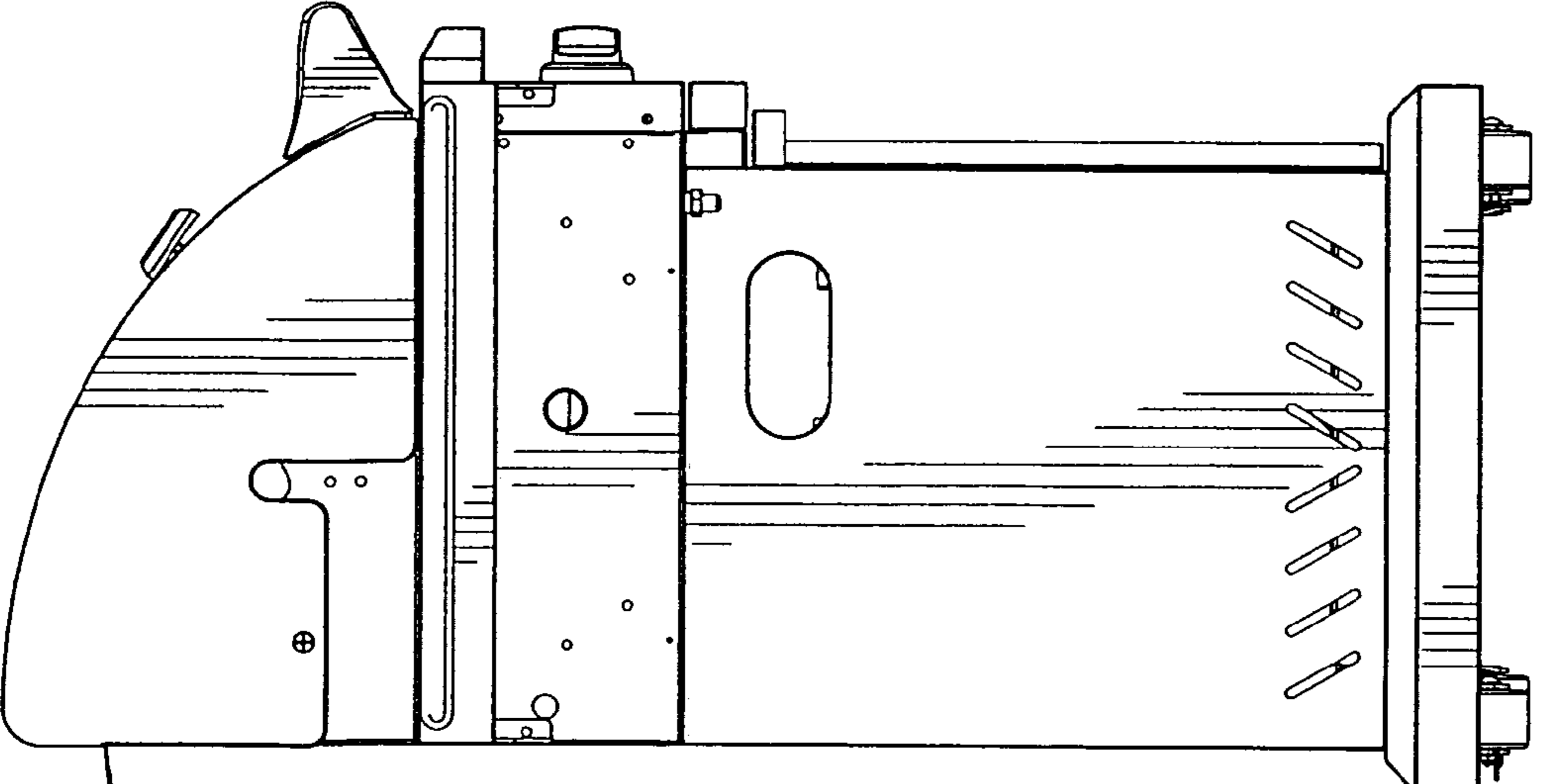


FIG. 5

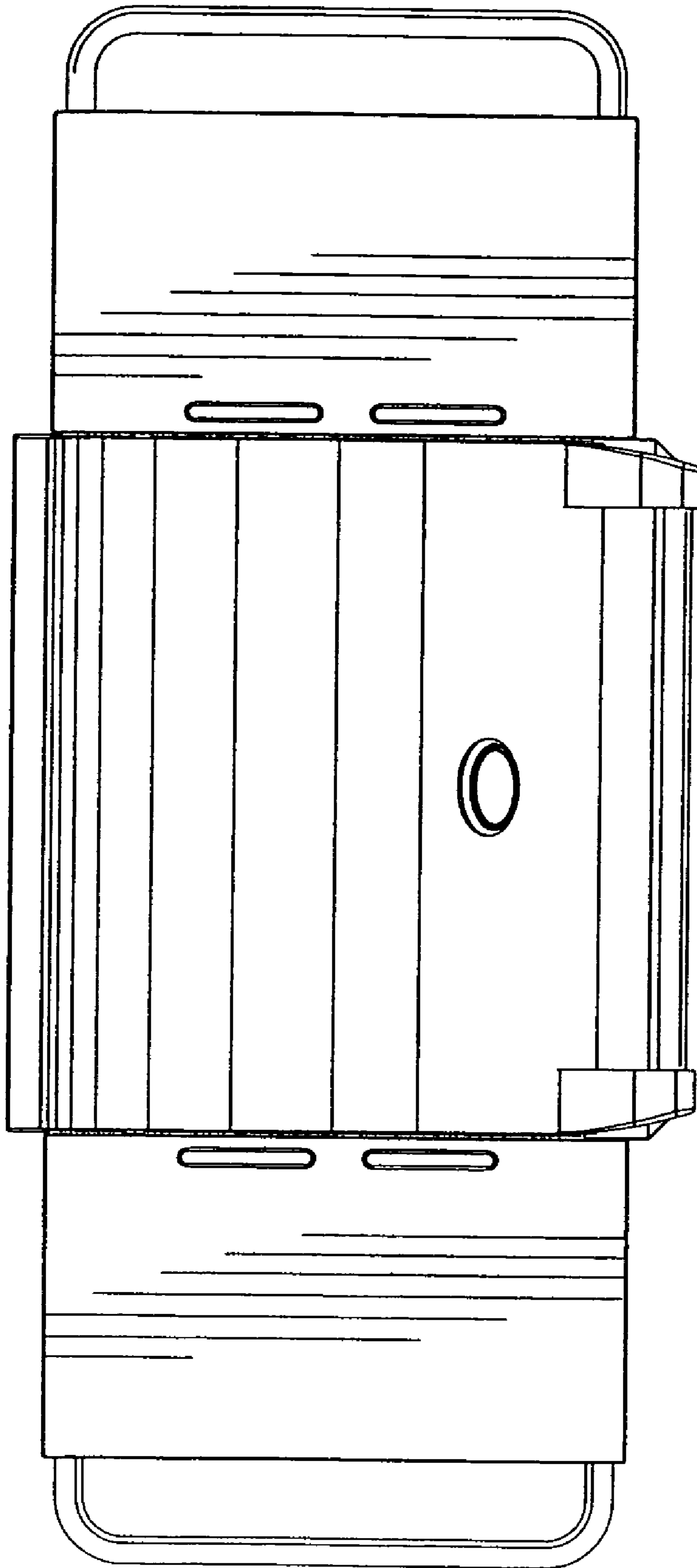


FIG. 6

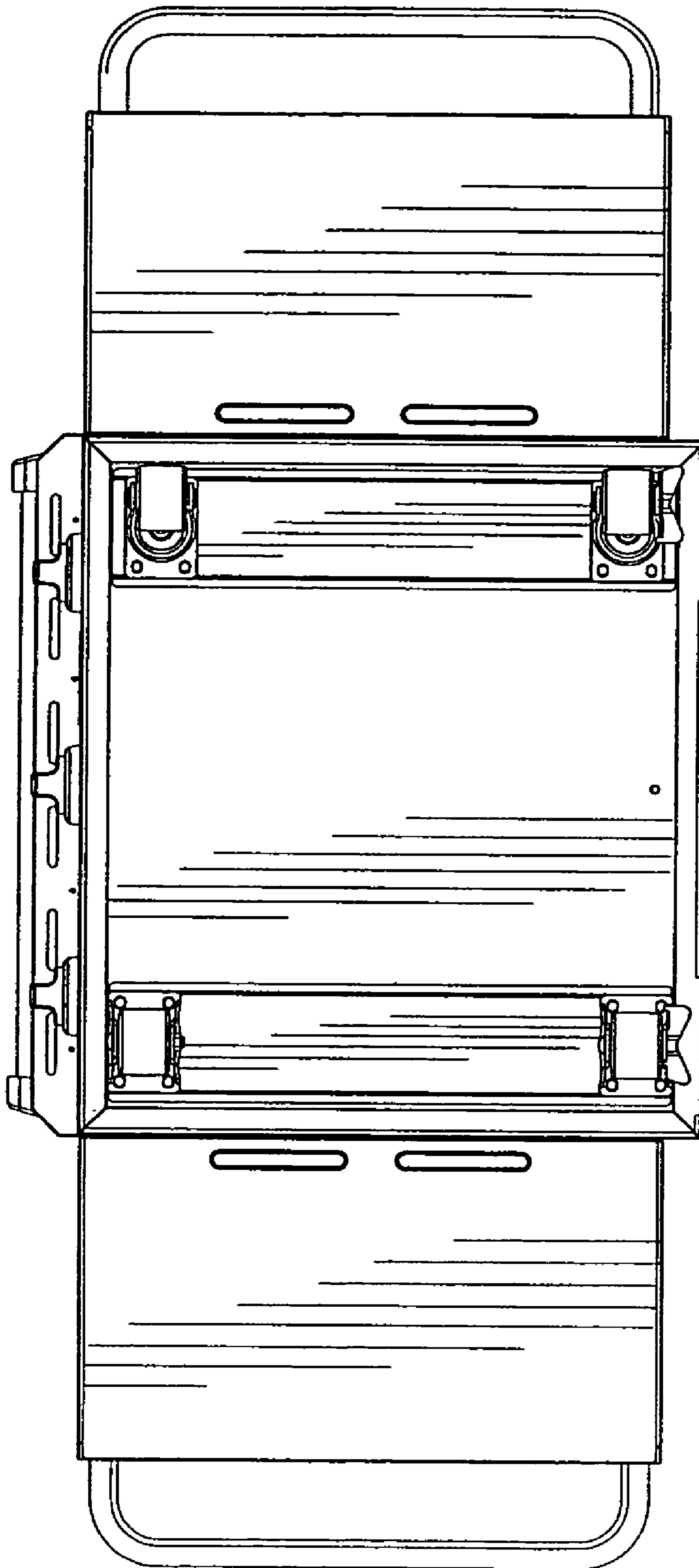


FIG. 7