



US00D546613S

(12) **United States Design Patent**
OConnor

(10) **Patent No.:** **US D546,613 S**

(45) **Date of Patent:** **** Jul. 17, 2007**

(54) **BED SHEET WITH UPPER LAYER HAVING STORAGE POCKETS AND SIDE ZIPPERS FOR SECURITY**

(76) Inventor: **Amy K. OConnor**, 37413 Lumiere Ave., Murrieta, CA (US) 92563

(**) Term: **14 Years**

(21) Appl. No.: **29/258,797**

(22) Filed: **Apr. 26, 2006**

(51) **LOC (8) Cl.** **06-13**

(52) **U.S. Cl.** **D6/602; D6/597**

(58) **Field of Classification Search** D6/595-597, D6/601-603, 608, 609; 5/419 R, 413 AM, 5/482-487, 494-500, 502, 692; D2/719
See application file for complete search history.

(56) **References Cited**

U.S. PATENT DOCUMENTS

2,498,055	A *	2/1950	Veit	5/485
2,627,617	A	2/1953	Avila		
3,331,088	A	7/1967	Marquette		
3,521,309	A *	7/1970	Evans	5/494
3,530,487	A	9/1970	Beer		
3,857,124	A *	12/1974	Hadley	5/496
4,161,044	A *	7/1979	Bogle	5/494
D292,461	S *	10/1987	Shuckman	D6/608
5,084,929	A	2/1992	Staudinger		
5,094,251	A	3/1992	Miller		
5,208,927	A	5/1993	Lachmar		
D338,796	S *	8/1993	Staudinger	D6/596
D343,544	S *	1/1994	Alexander	D6/601
5,666,680	A *	9/1997	Hackett, Jr.	5/692
5,794,285	A	8/1998	Burch		

6,122,783	A	9/2000	Herndon		
D433,865	S	11/2000	Willbanks		
6,237,171	B1	5/2001	Allen		
6,490,741	B1	12/2002	Wheeler		
6,594,836	B1 *	7/2003	Everson et al.	5/485
6,886,197	B1	5/2005	Madigan		
2002/0133879	A1 *	9/2002	Smith et al.	5/413 R

* cited by examiner

Primary Examiner—Robert M. Spear
Assistant Examiner—Mary Ann Calabrese
(74) *Attorney, Agent, or Firm*—Dennis W. Beech

(57) **CLAIM**

The ornamental design for a bed sheet with upper layer having storage pockets and side zippers for security, as shown and described.

DESCRIPTION

FIG. 1 is a top perspective view of the bed sheet with upper layer having storage pockets and side zippers for security showing my new design;

FIG. 2 is a top plan view of the invention thereof;

FIG. 3 is a head end view thereof;

FIG. 4 is a first side elevation view thereof;

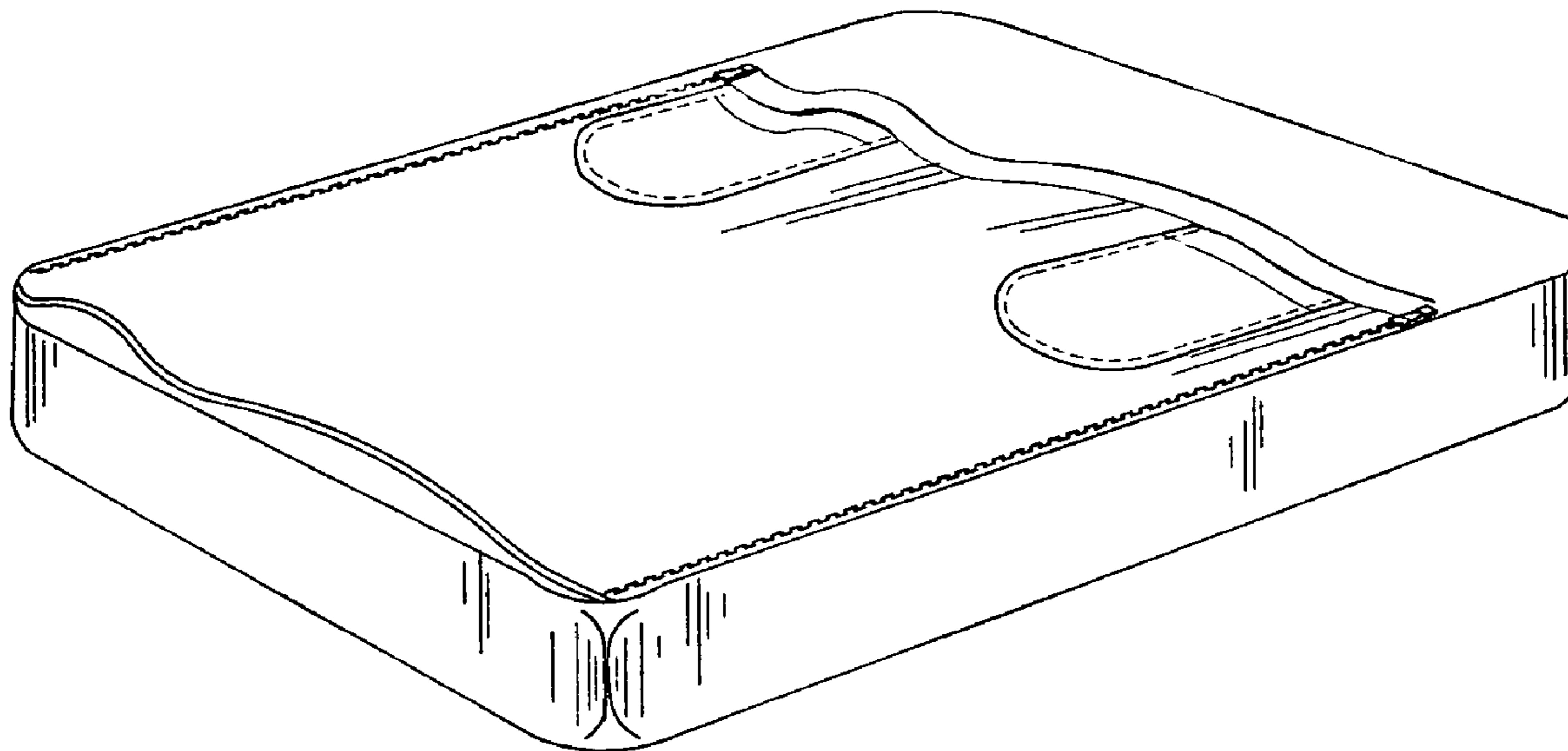
FIG. 5 is a foot end view thereof;

FIG. 6 is a bottom plan view thereof; and,

FIG. 7 is a second side elevation view thereof.

In the drawings the broken lines are for illustrative purposes only and form no part of the claimed design.

1 Claim, 2 Drawing Sheets



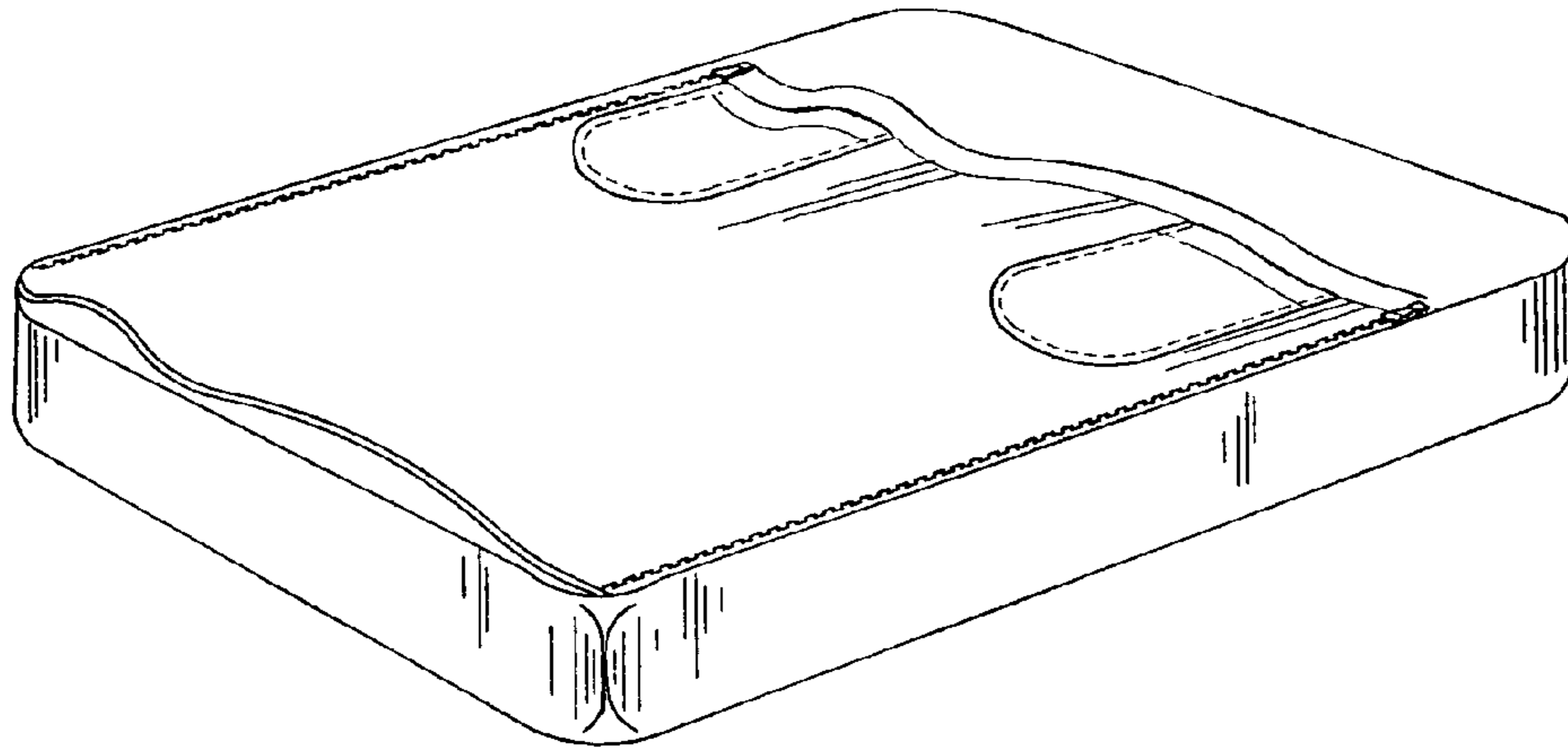


FIG. 1

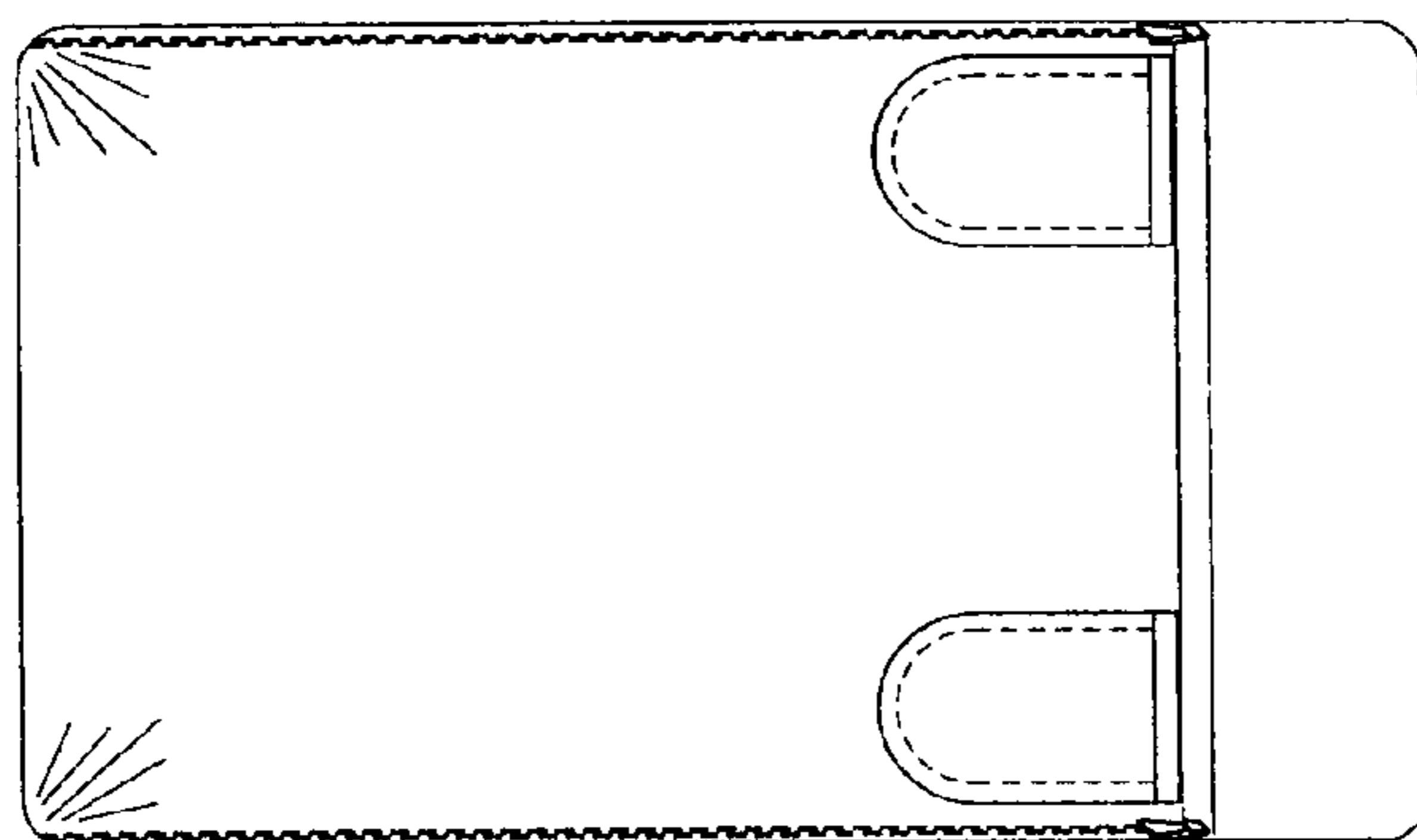


FIG. 2

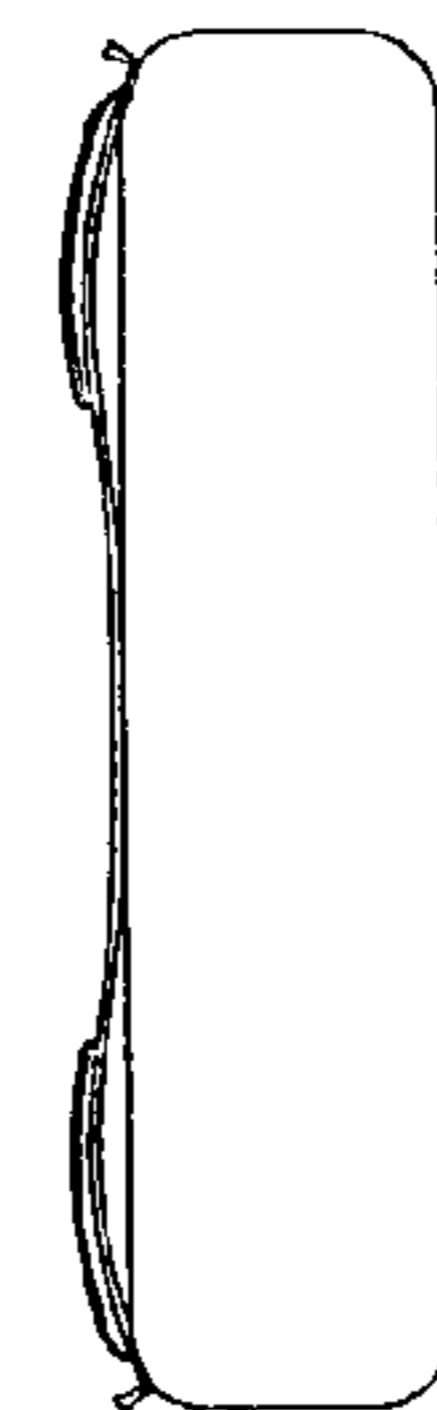


FIG. 3

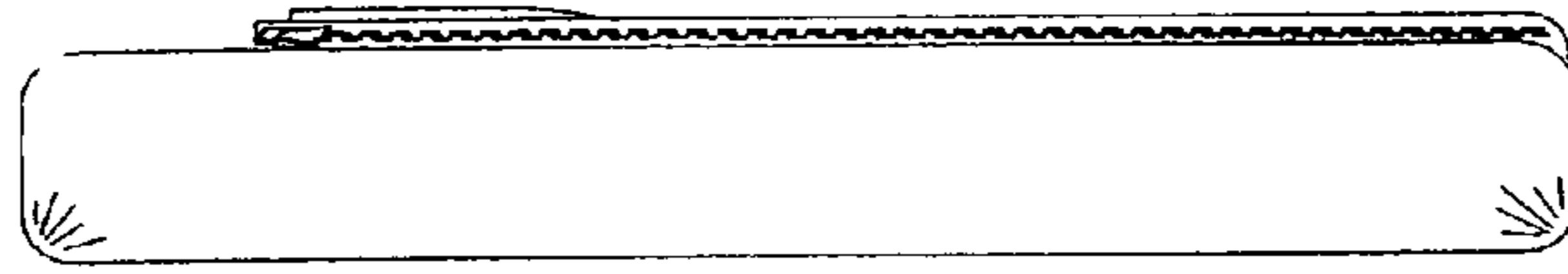


FIG. 4

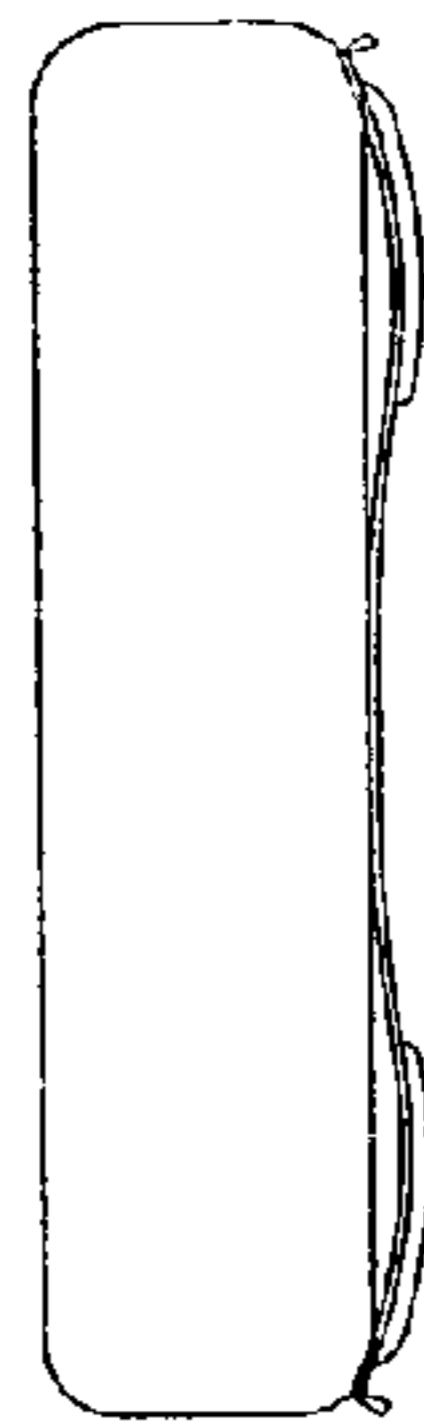


FIG. 5

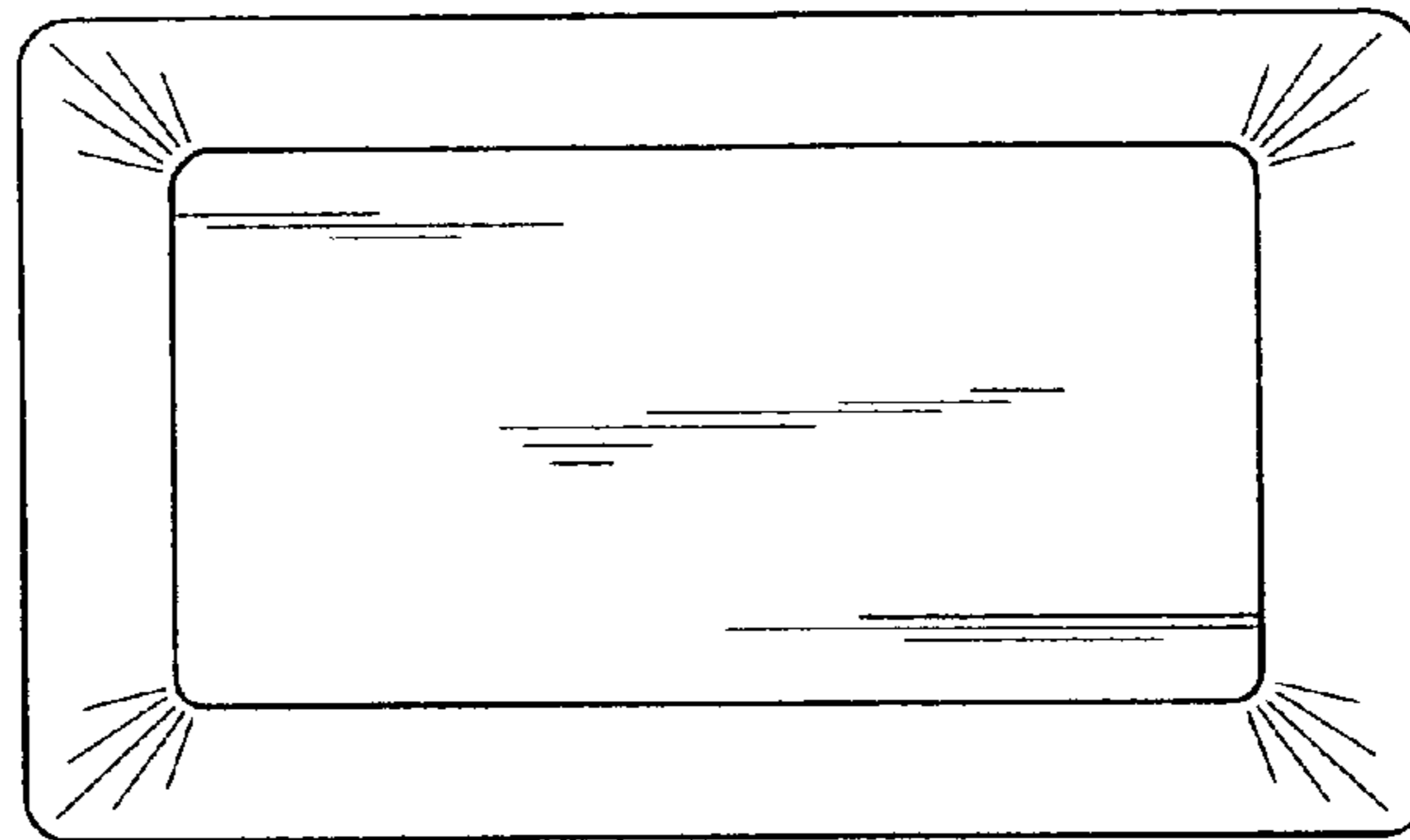


FIG. 6

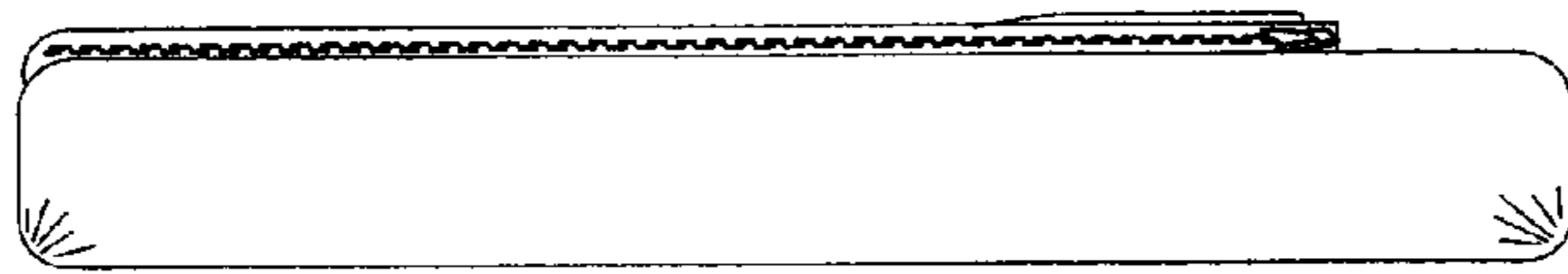


FIG. 7