



US00D546610S

(12) **United States Design Patent**
Blanchard

(10) **Patent No.:** **US D546,610 S**

(45) **Date of Patent:** **** Jul. 17, 2007**

(54) **TISSUE BOX HOLDER**

(76) Inventor: **Normand M. Blanchard**, 79, rue
Jeanne D'Arc, Gatineau, Quebec (CA)
J8Y 2H5

(**) Term: **14 Years**

(21) Appl. No.: **29/235,100**

(22) Filed: **Jul. 28, 2005**

(51) **LOC (8) Cl.** **06-04**

(52) **U.S. Cl.** **D6/567**

(58) **Field of Classification Search** D6/512,
D6/553, 567, 574; 211/13.1, 32, 85.1, 35,
211/85.12, 41.2, 42, 41.3, 44, 70.6, 72, 75,
211/86.01, 87.01, 88.01, 88.03, 90.01, 126.1
See application file for complete search history.

(56) **References Cited**

U.S. PATENT DOCUMENTS

2,488,326	A *	11/1949	Pratt	248/905
2,490,426	A *	12/1949	Gerdeman	248/905
D252,000	S *	6/1979	Smith, III	D6/574
4,177,910	A *	12/1979	Gangl	248/905
D300,972	S *	5/1989	Streno	D6/553
D311,657	S *	10/1990	Pate	D6/574

D312,185	S *	11/1990	Prater, Sr.	D6/574
D314,114	S *	1/1991	Steinman	D6/567
D316,790	S *	5/1991	Robbins et al.	D6/574
D332,724	S *	1/1993	Porter	D6/567
D357,405	S *	4/1995	Philippi	D8/373
6,073,899	A *	6/2000	Omrani	248/905

* cited by examiner

Primary Examiner—Brian N Vinson

(74) *Attorney, Agent, or Firm*—George A. Seaby

(57) **CLAIM**

The ornamental design for a tissue box holder, as shown and described.

DESCRIPTION

FIG. 1 is a perspective view of the tissue box holder as seen from the front and above;

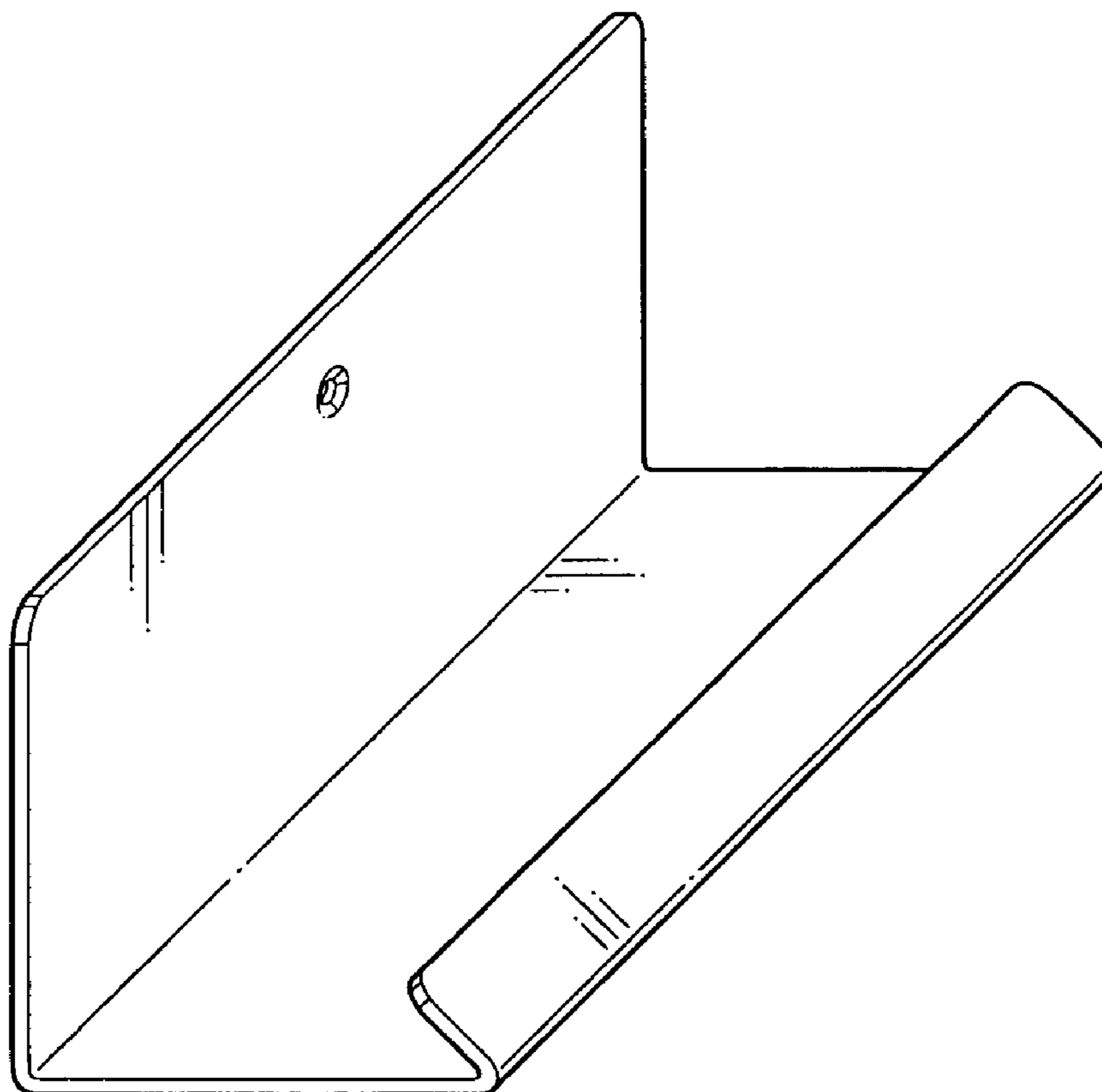
FIG. 2 is a top elevational view thereof;

FIG. 3 is a front elevational view thereof;

FIG. 4 is a rear elevational view thereof; and,

FIG. 5 is a side elevational view thereof, the other side being the mirror age thereof.

1 Claim, 2 Drawing Sheets



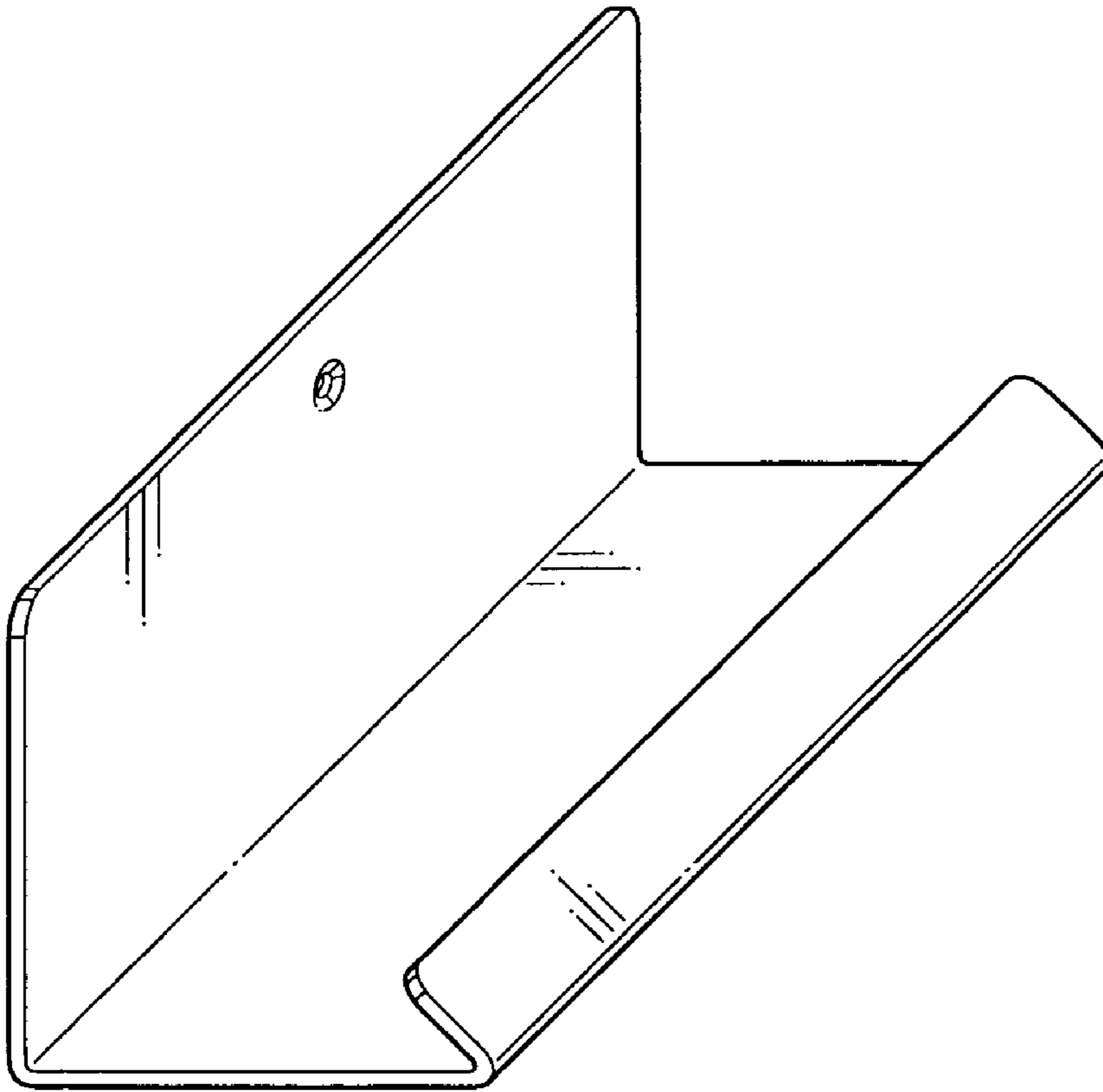


FIG. 1

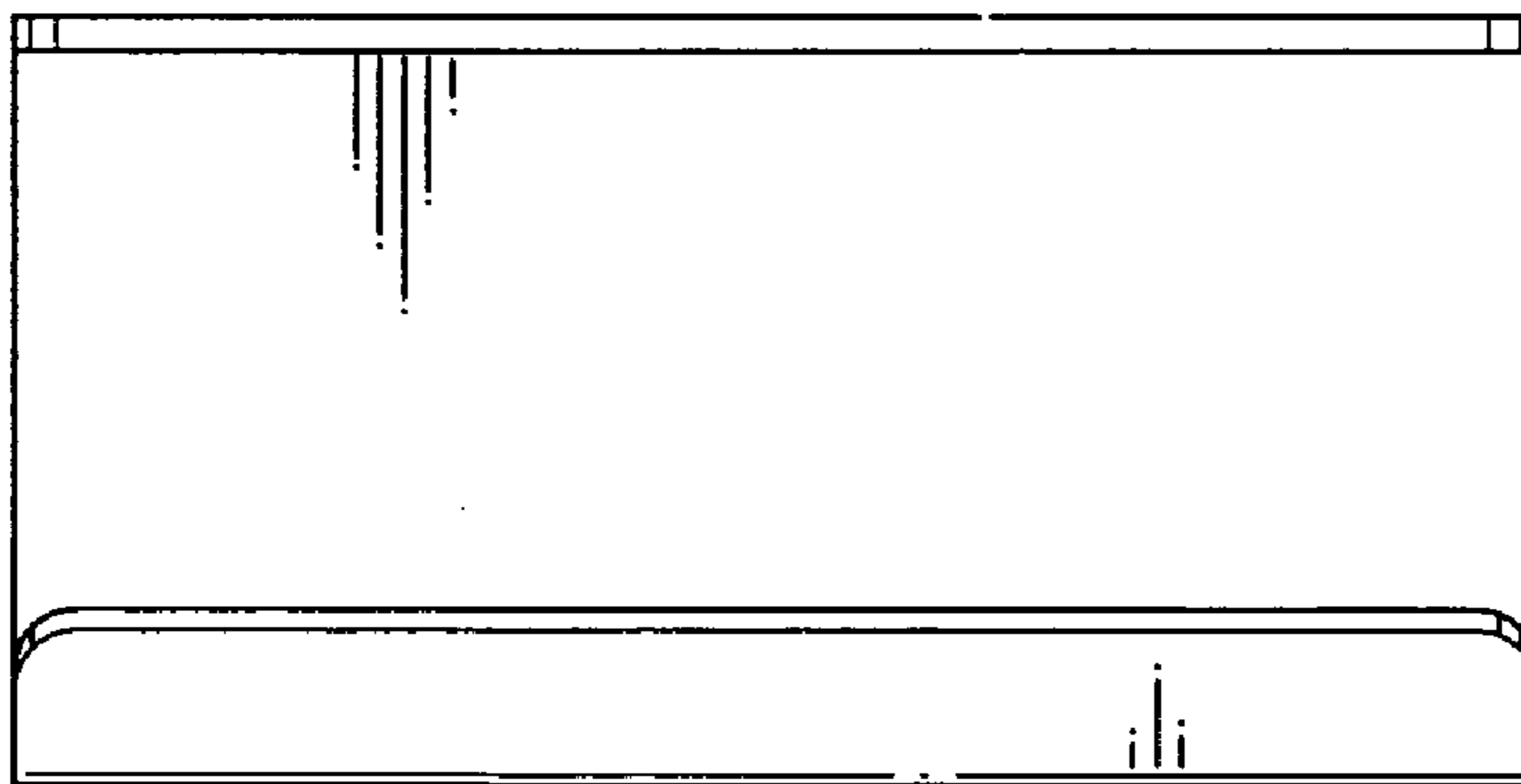


FIG. 2

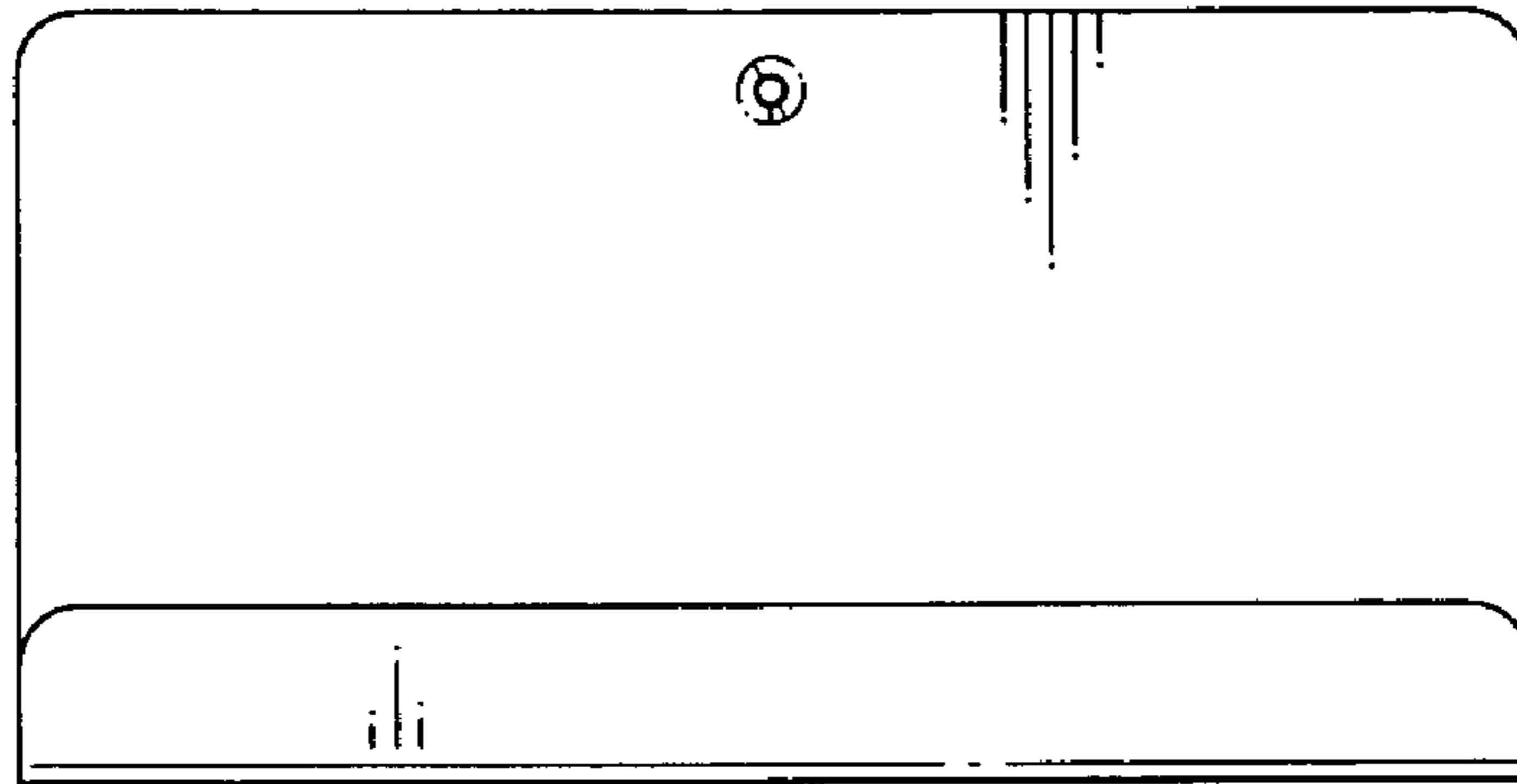


FIG. 3

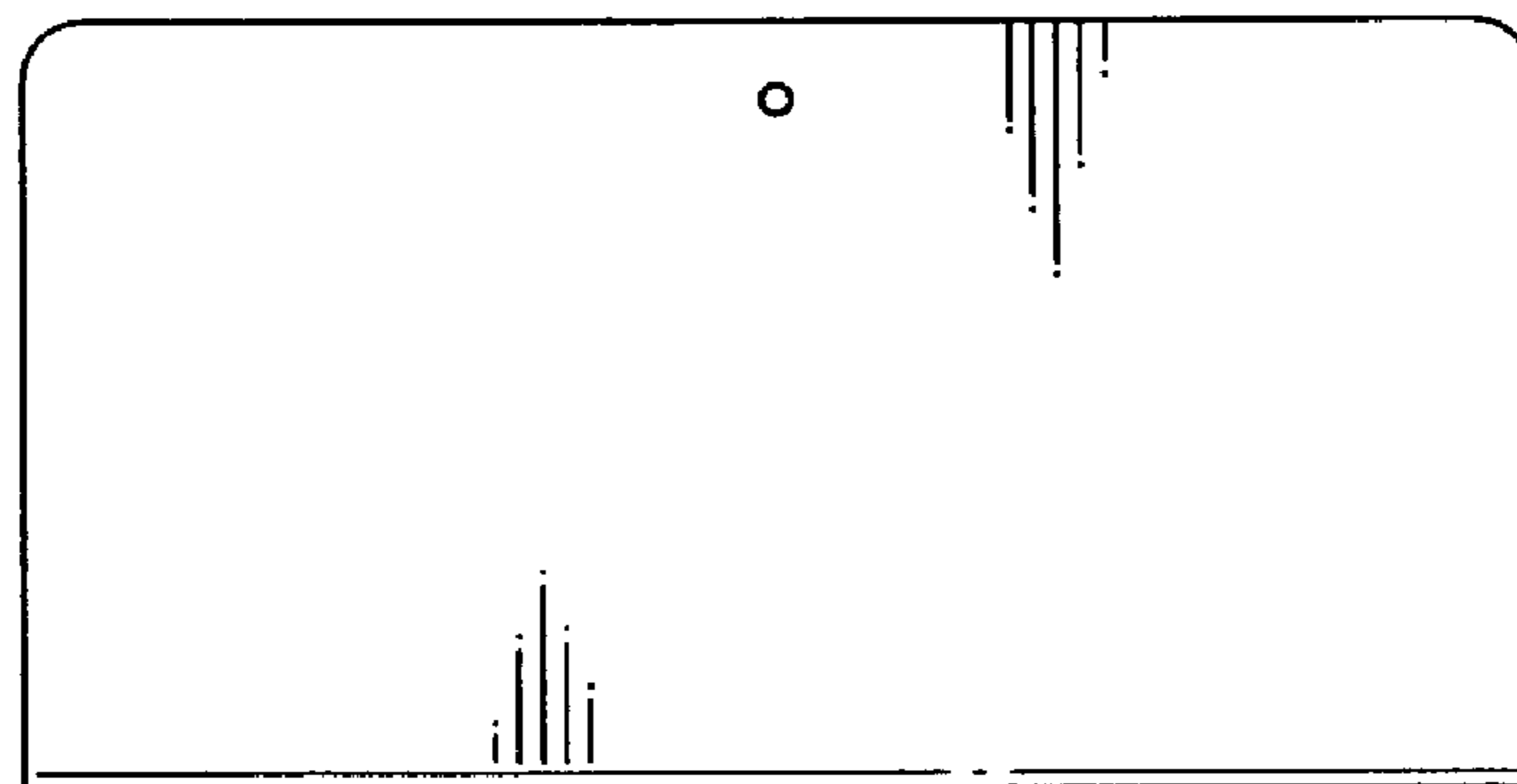


FIG. 4

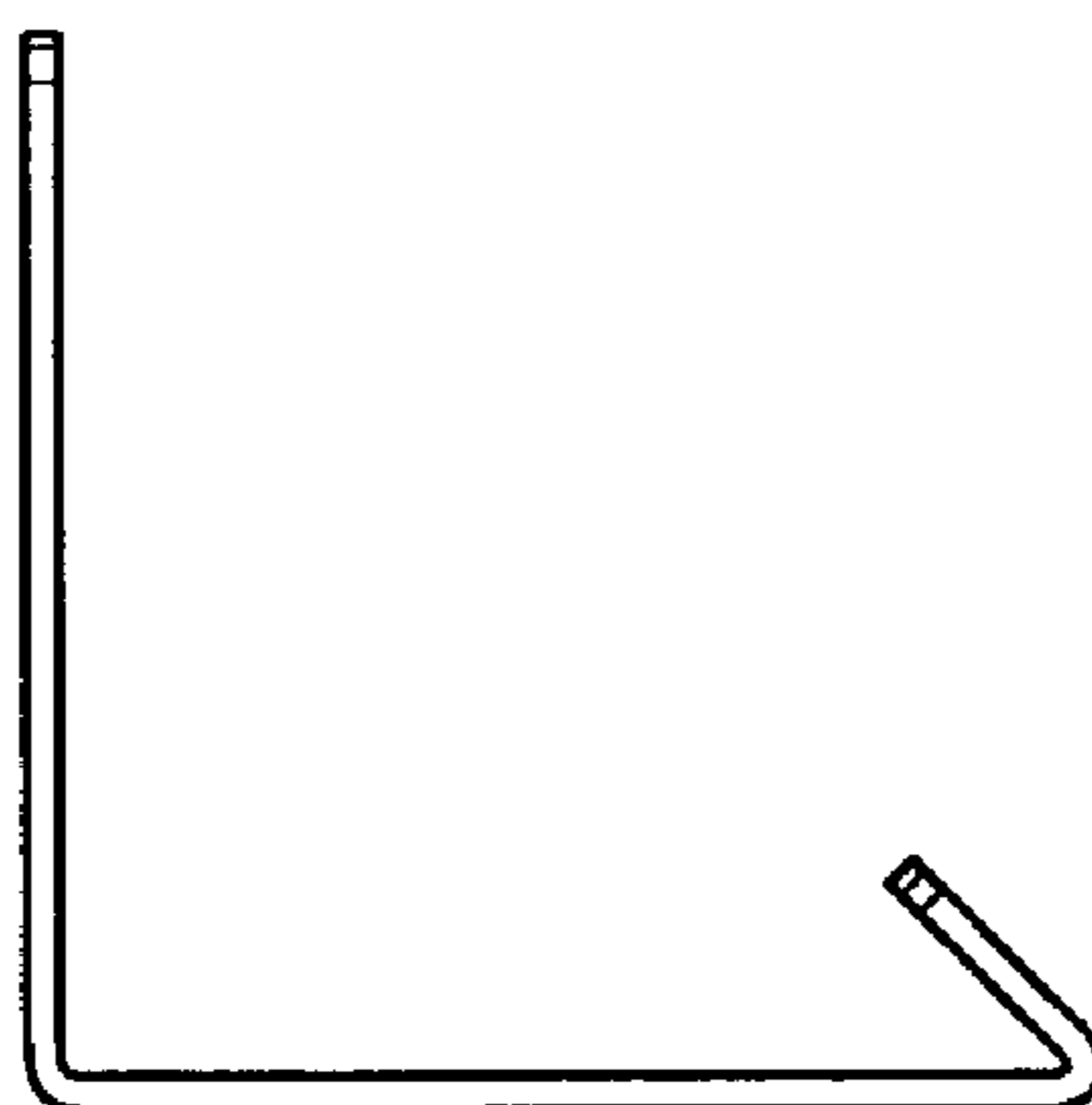


FIG. 5