

US00D546607S

(12) **United States Design Patent**
Dretzka

(10) **Patent No.:** **US D546,607 S**

(45) **Date of Patent:** **** Jul. 17, 2007**

(54) **TOOTHBRUSH STAND**

(75) Inventor: **Philip C. Dretzka**, Cleveland Heights,
OH (US)

(73) Assignee: **InterDesign, Inc.**, Solon, OH (US)

(**) Term: **14 Years**

(21) Appl. No.: **29/262,152**

(22) Filed: **Jun. 27, 2006**

(51) **LOC (8) Cl.** **06-02**

(52) **U.S. Cl.** **D6/534**

(58) **Field of Classification Search** D6/524,
D6/526, 527, 528, 534; 206/228, 208, 209,
206/209.1, 361, 362, 362.1, 362.2, 362.3;
211/13.1, 65, 66, 70.6, 86.01, 87.01
See application file for complete search history.

(56) **References Cited**

U.S. PATENT DOCUMENTS

- D312,182 S * 11/1990 Ritchie D6/528
- D418,706 S * 1/2000 Robishaw D6/534
- D425,255 S * 5/2000 Chen D6/526

- D477,734 S * 7/2003 Snell D6/534
- D478,231 S * 8/2003 Snell D6/534
- D482,222 S * 11/2003 Dretzka D6/534

* cited by examiner

Primary Examiner—Brian N Vinson

(74) *Attorney, Agent, or Firm*—D. Peter Hochberg; Sean Mellino

(57) **CLAIM**

The ornamental design for a toothbrush stand, as shown and described.

DESCRIPTION

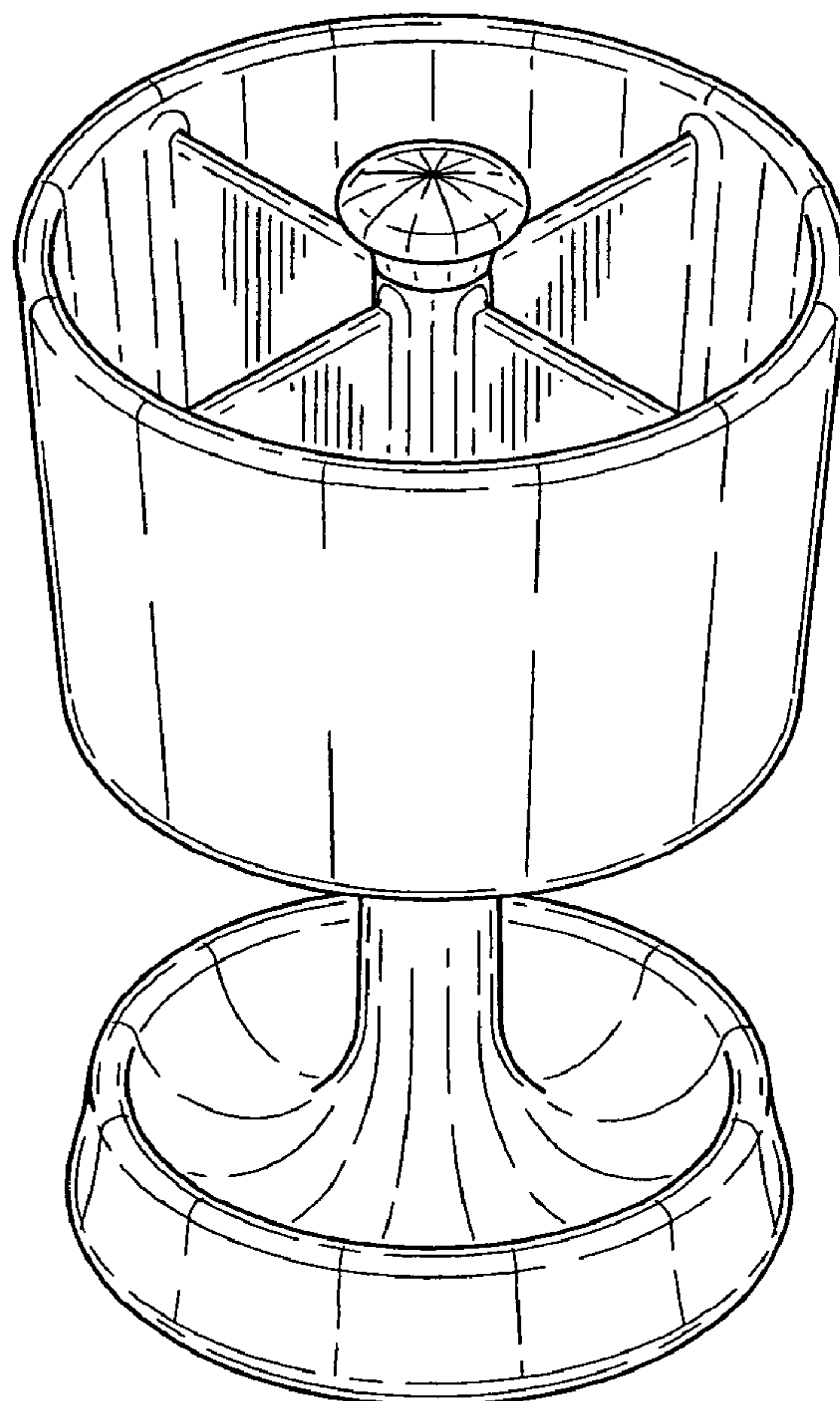
FIG. 1 is a perspective view of the toothbrush stand according to the invention;

FIG. 2 is a top view of the toothbrush stand as shown in FIG. 1;

FIG. 3 is a side view of the toothbrush stand as shown in FIG. 1; and,

FIG. 4 is a bottom view of the toothbrush stand as shown in FIG. 1.

1 Claim, 1 Drawing Sheet



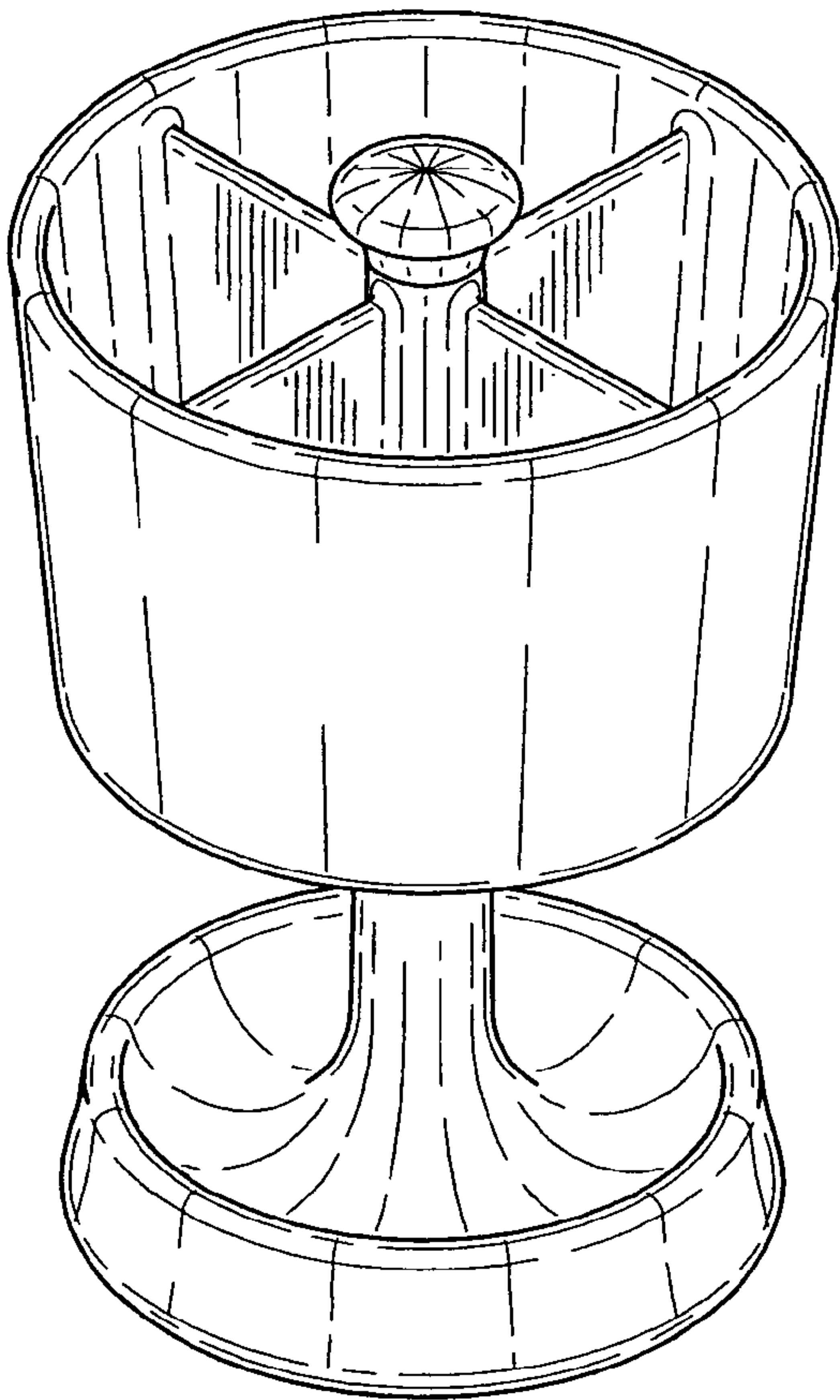


FIG-1

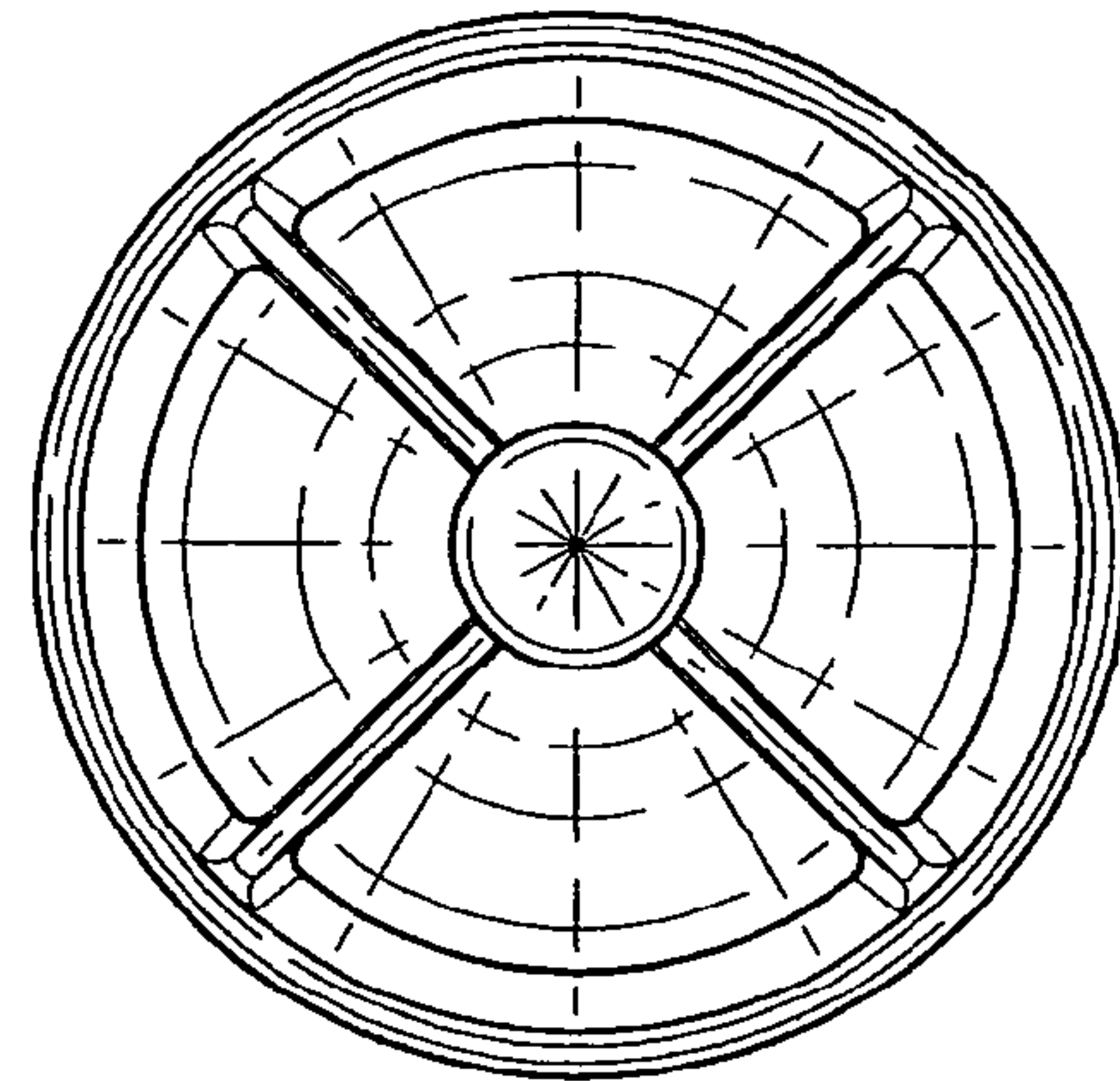


FIG-2

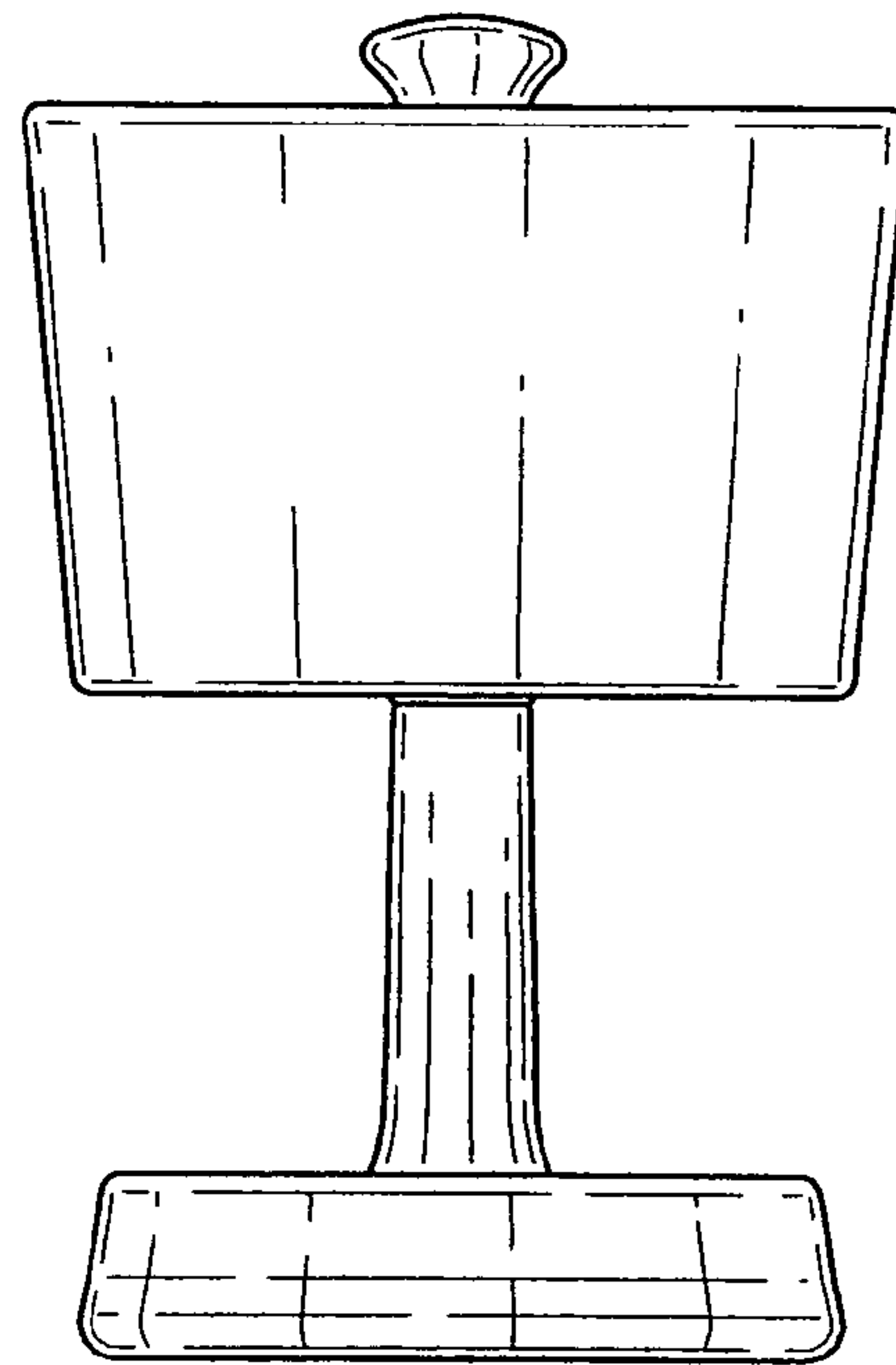


FIG-3

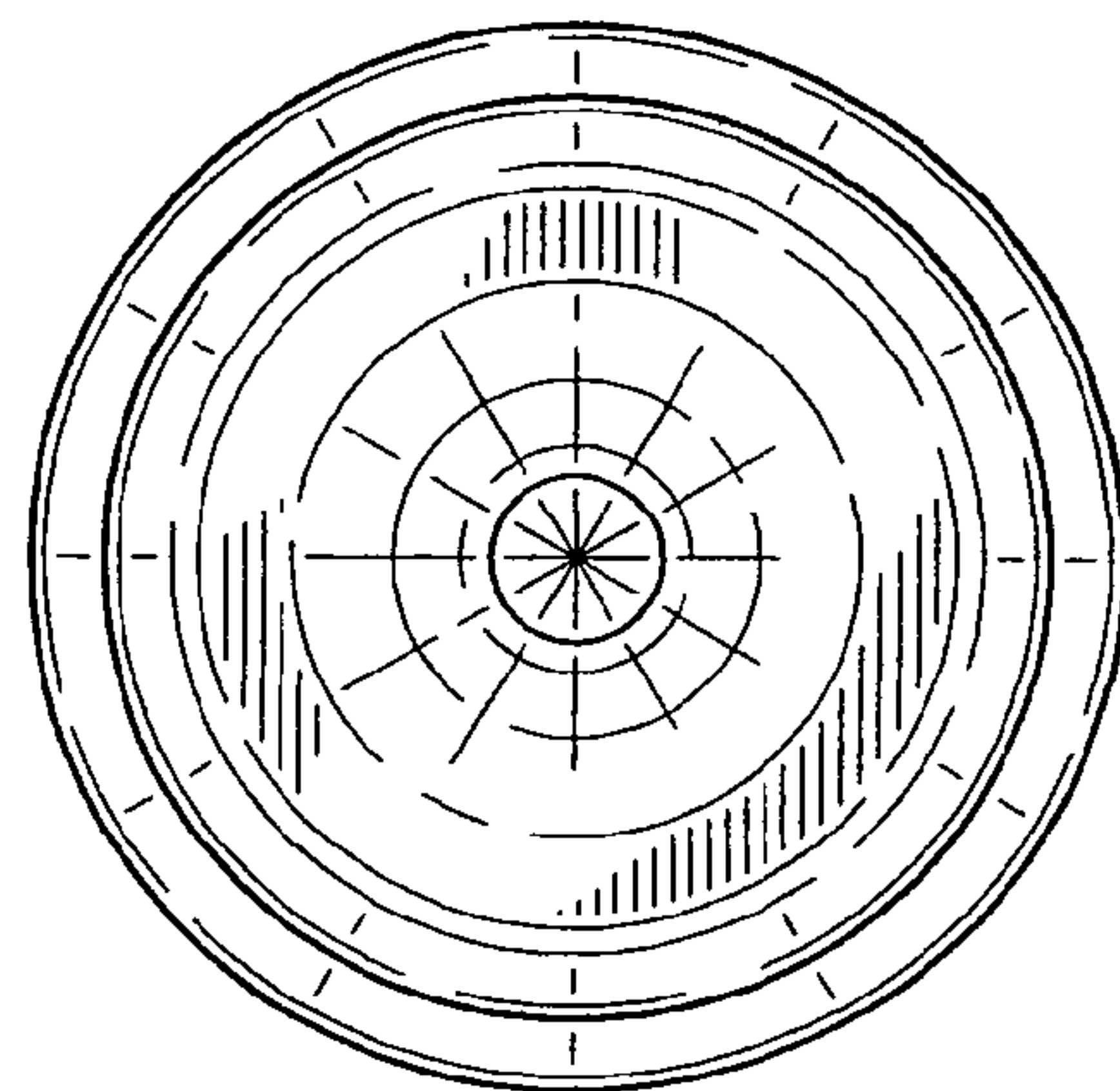


FIG-4