

US00D546604S

(12) **United States Design Patent**  
**Omdoll et al.**

(10) **Patent No.:** **US D546,604 S**

(45) **Date of Patent:** **\*\* Jul. 17, 2007**

(54) **FACEPLATE**

(75) Inventors: **Paul Omdoll**, Waukesha, WI (US);  
**Tom Wozny**, Elkhorn, WI (US); **Scott Collins**, Milwaukee, WI (US); **Michael Young**, Mukwonago, WI (US); **Craig Fluegge**, Menomonee Falls, WI (US)

(73) Assignee: **The Colman Group, Inc.**, Elkhorn, WI (US)

(\*\*) Term: **14 Years**

(21) Appl. No.: **29/241,214**

(22) Filed: **Oct. 25, 2005**

(51) **LOC (8) Cl.** ..... **20-02**

(52) **U.S. Cl.** ..... **D6/518**

(58) **Field of Classification Search** ..... D6/518-523;  
206/409; 221/30-33, 45, 208

See application file for complete search history.

(56) **References Cited**

**U.S. PATENT DOCUMENTS**

2,943,777	A	*	7/1960	Dvoracek	.....	D6/520
D356,707	S	*	3/1995	Morand	.....	D6/522
D363,628	S	*	10/1995	McCanless	.....	D6/522
D386,922	S	*	12/1997	Sedlock	.....	D6/522
D399,084	S	*	10/1998	Tramontina	.....	D6/522
D403,905	S	*	1/1999	Tramontina	.....	D6/522

D426,412	S	*	6/2000	Cameron	.....	D6/522
D441,231	S	*	5/2001	Purcell et al.	.....	D6/522
D441,578	S	*	5/2001	Andersson	.....	D6/518

\* cited by examiner

*Primary Examiner*—Brian N Vinson  
(74) *Attorney, Agent, or Firm*—Boyle Fredrickson  
Newholm Stein & Gratz S.C.

(57) **CLAIM**

The ornamental design of a faceplate, substantially as shown and described.

**DESCRIPTION**

FIG. 1 is a front view of a faceplate showing one embodiment of the new design;

FIG. 2 is a top view of the faceplate of FIG. 1;

FIG. 3 is a bottom view of the faceplate of FIG. 1;

FIG. 4 is a rear view of the faceplate of FIG. 1;

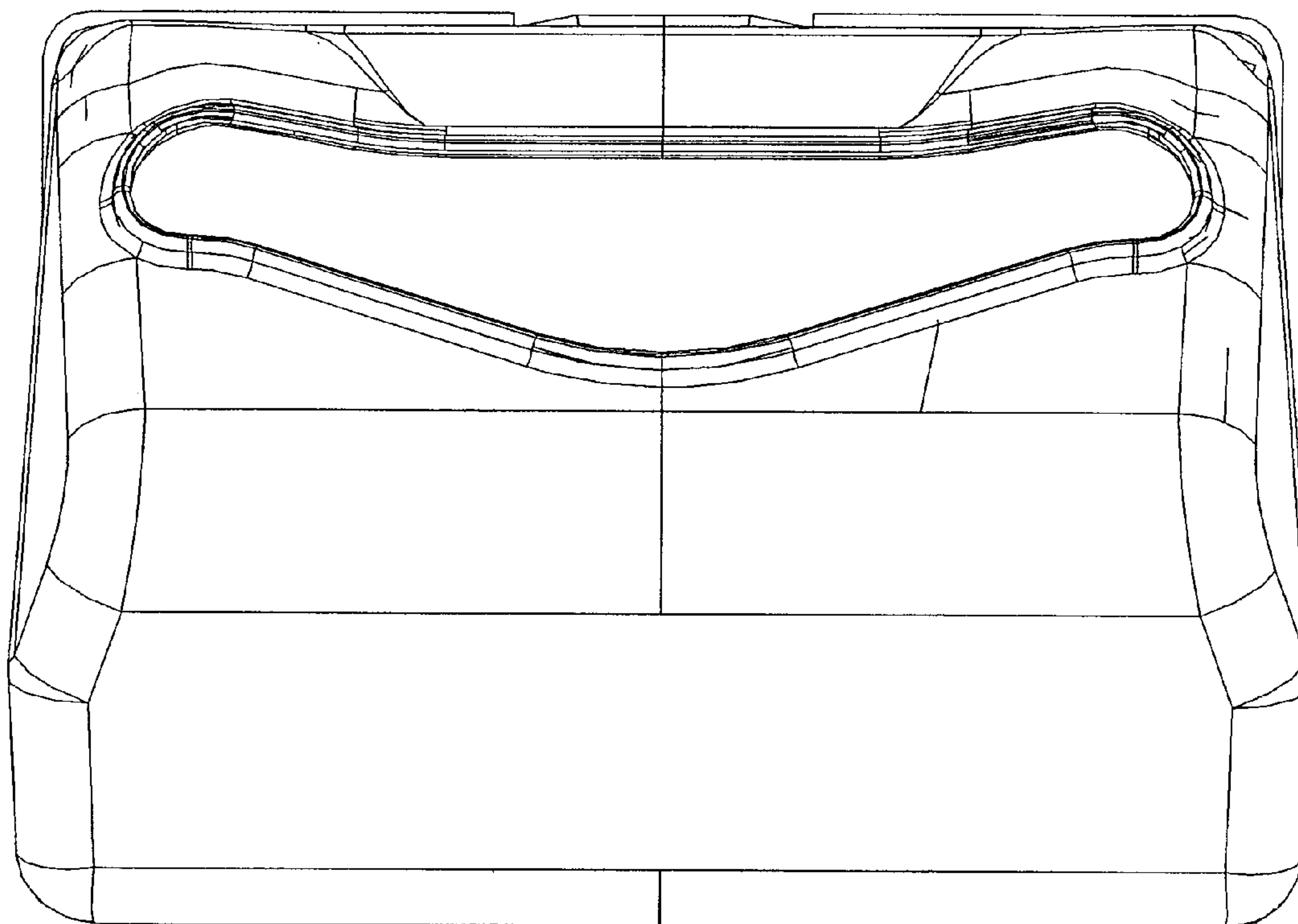
FIG. 5 is a left side view of the faceplate of FIG. 1;

FIG. 6 is a right side view of the faceplate of FIG. 1;

FIG. 7 is a right side perspective view of the faceplate of FIG. 1; and,

FIG. 8 is a left side top perspective view of the faceplate of FIG. 1.

**1 Claim, 8 Drawing Sheets**



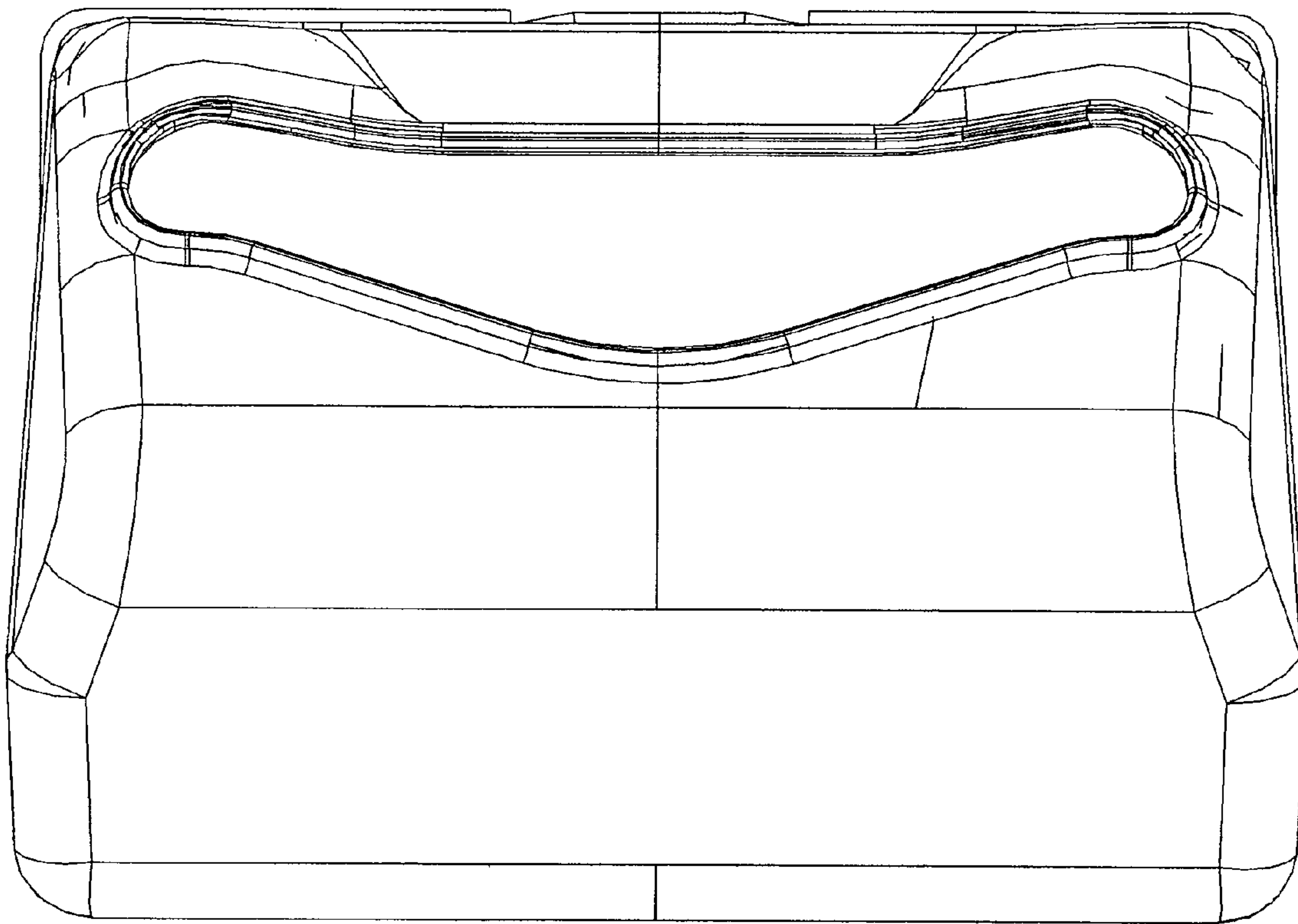


Fig. 1

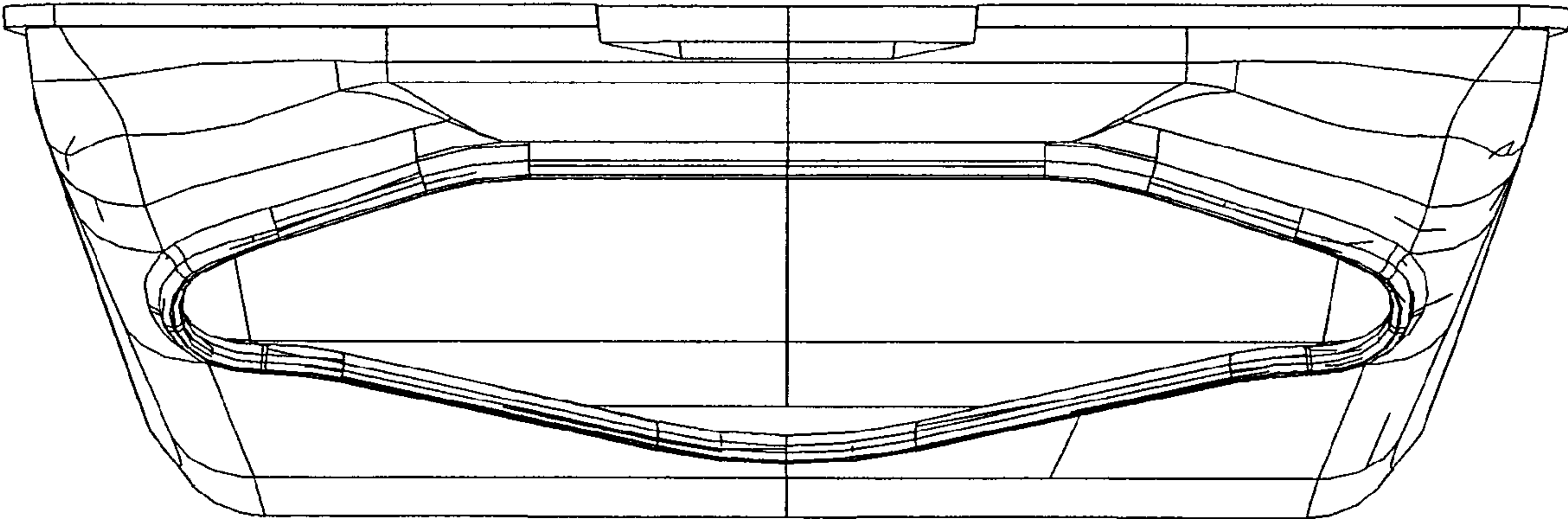


Fig. 2

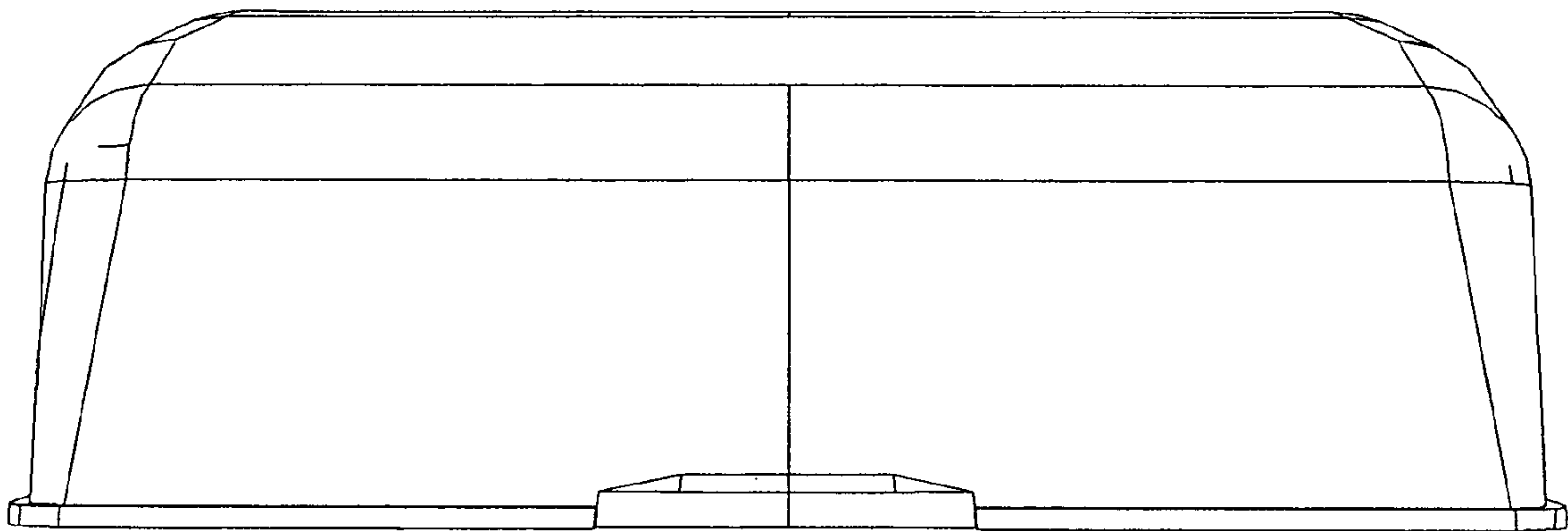


Fig. 3

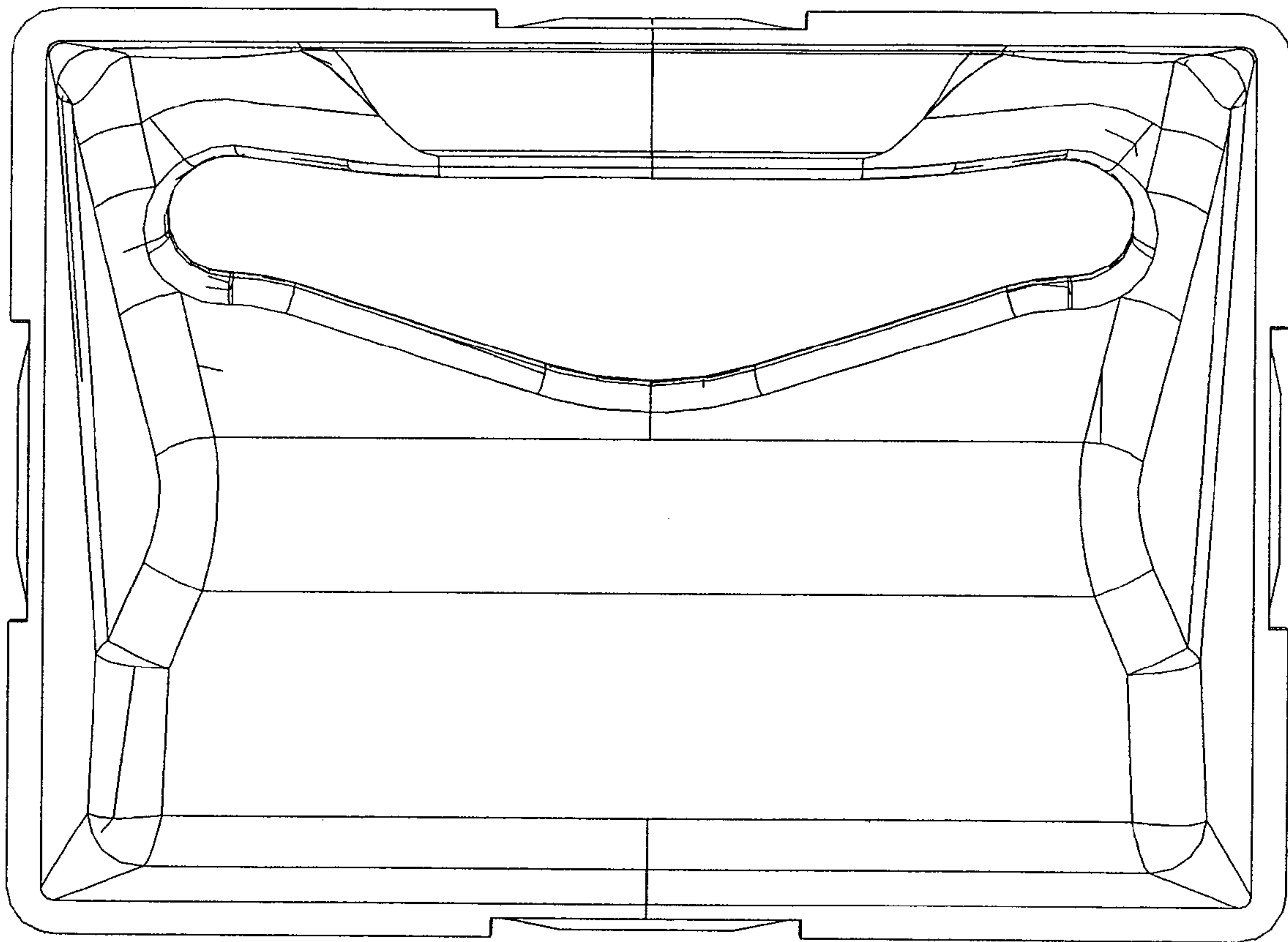


Fig. 4

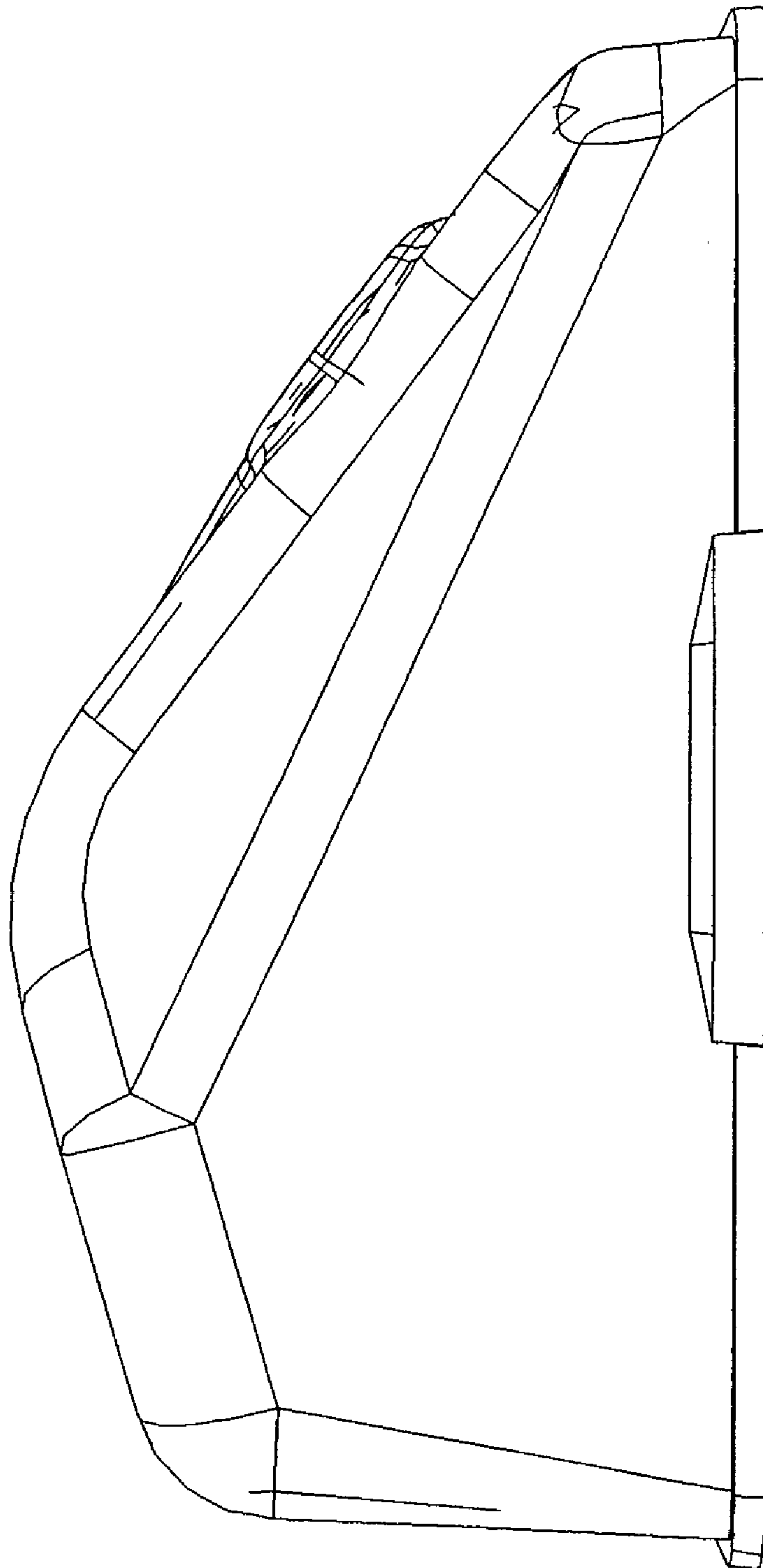


Fig. 5

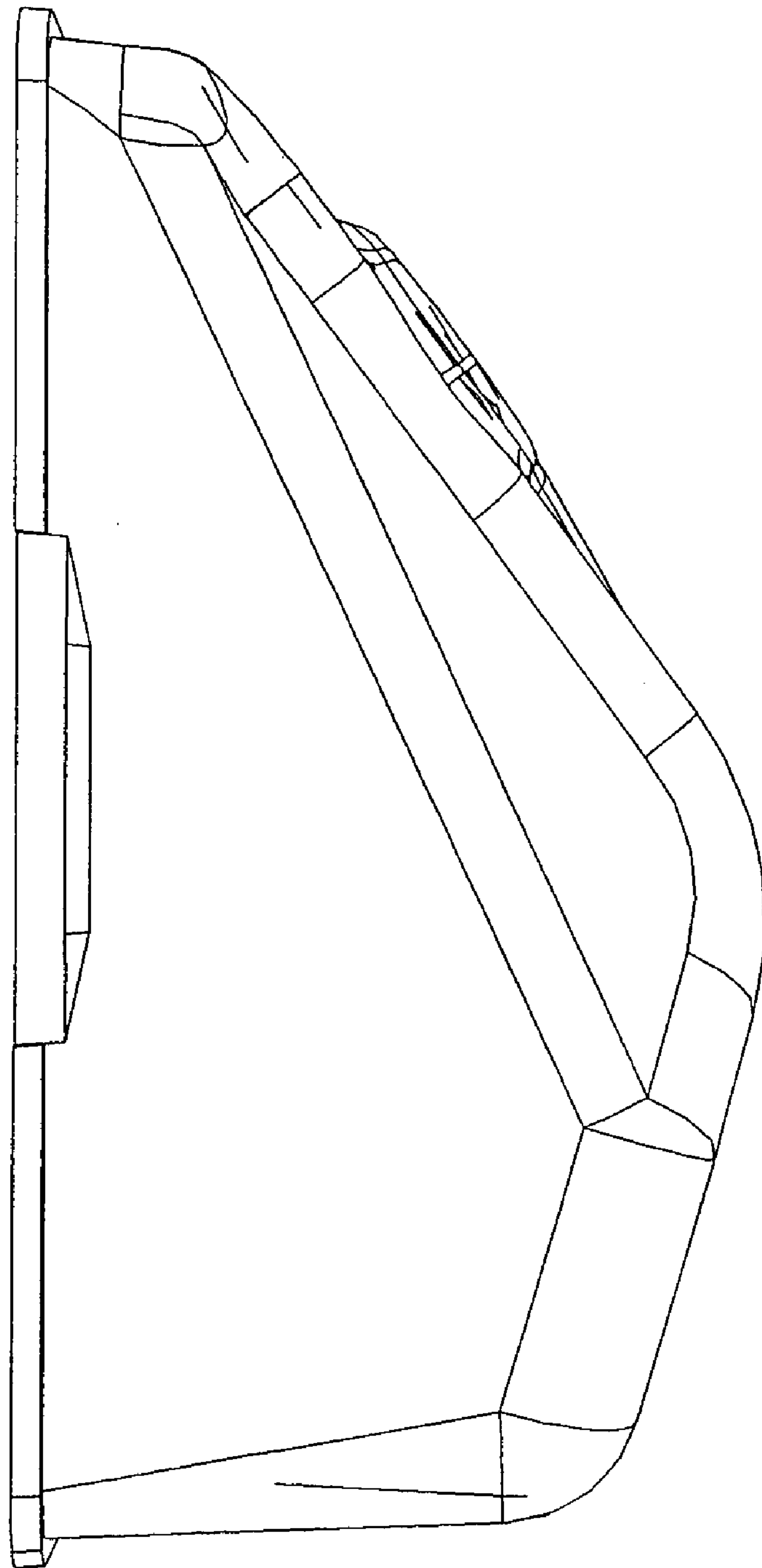


Fig. 6



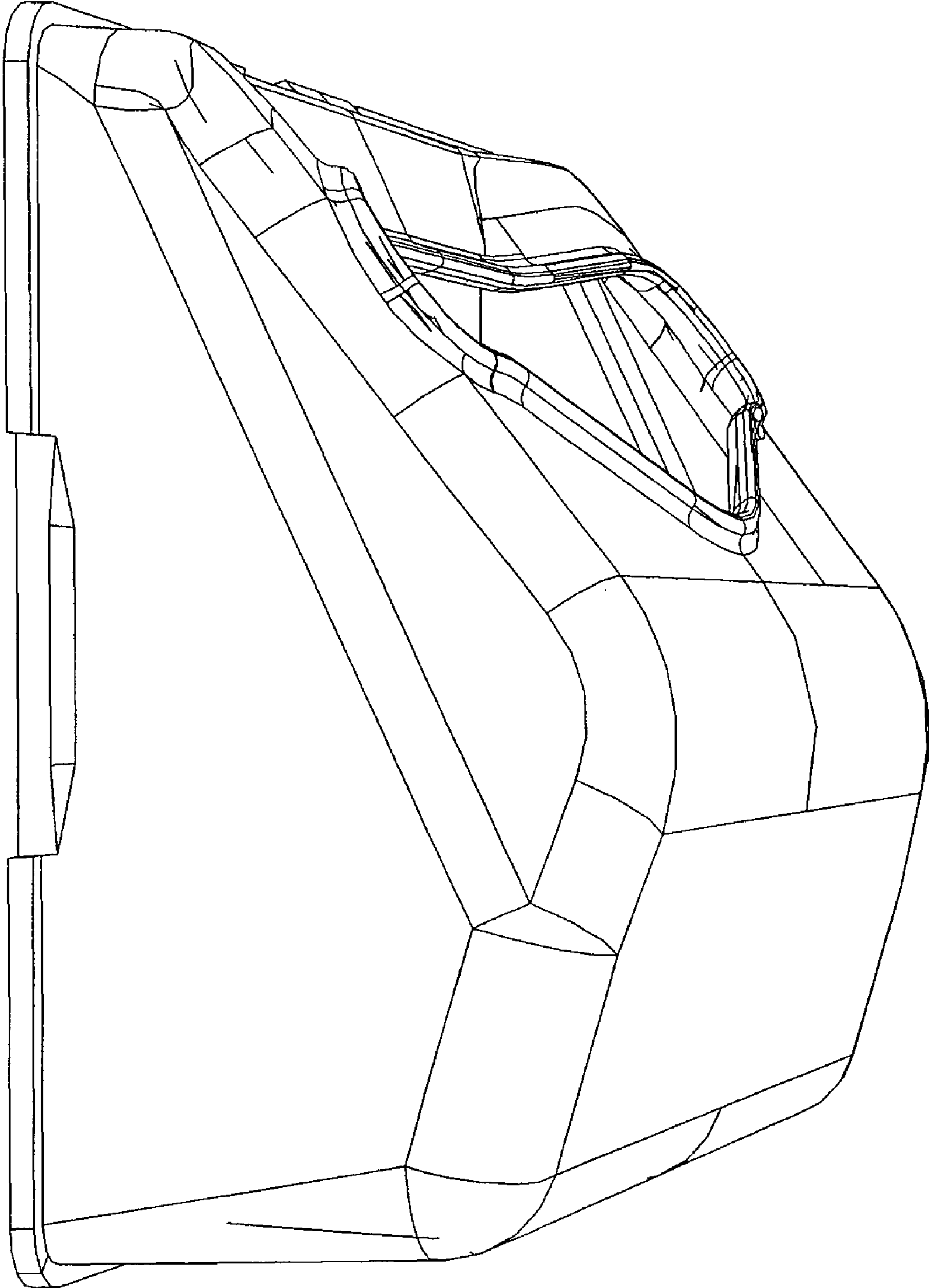


Fig. 7





Fig. 8