



US00D546603S

(12) **United States Design Patent** (10) **Patent No.:** **US D546,603 S**
Cittadino et al. (45) **Date of Patent:** **** Jul. 17, 2007**

(54) **MULTI-POSTURE FOLDED TOWEL DISPENSER**

(75) Inventors: **Antonio M. Cittadino**, Appleton, WI (US); **Cedric D. Steele**, Smyrna, GA (US); **Janica S. Behnke**, Appleton, WI (US); **Kelly J. Smith**, Atlanta, GA (US); **Scott M. Kouri**, Long Grove, IL (US); **Lisa A. Yanz**, Chicago, IL (US); **Jean E. Kiple**, Lake Villa, IL (US)

5,090,592 A 2/1992 Petterson et al.
D427,468 S 7/2000 Morand
6,116,534 A 9/2000 Morand
6,286,713 B1 9/2001 Chan et al.
6,378,726 B1 4/2002 Chan et al.
6,585,129 B2 7/2003 Moody et al.
6,824,007 B2 11/2004 Timmers et al.
6,929,147 B2 8/2005 Guillemette et al.
2004/0026440 A1 2/2004 Kruchoski et al.
2005/0150898 A1 7/2005 Young et al.
2005/0199643 A1 9/2005 Smiley et al.

(73) Assignee: **Georgia-Pacific Consumer Products LP**, Atlanta, GA (US)

* cited by examiner

Primary Examiner—Brian N Vinson

(**) Term: **14 Years**

(57) **CLAIM**

(21) Appl. No.: **29/238,669**

The ornamental design for a multi-posture folded towel dispenser, as shown and described.

(22) Filed: **Sep. 19, 2005**

(51) **LOC (8) Cl.** **20-02**

(52) **U.S. Cl.** **D6/518**

(58) **Field of Classification Search** D6/515-523; 206/225, 233, 289, 391, 812, 824; 211/13, 211/451; 221/26, 33, 282-283; 222/173, 222/180; 248/309.1, 309.2, 905
See application file for complete search history.

DESCRIPTION

FIG. 1 is a perspective view of the multi-posture folded towel dispenser;

FIG. 2 is a front elevation view of the multi-posture folded towel dispenser;

FIG. 3 is a right side view of the multi-posture folded towel dispenser;

FIG. 4 is a left side view of the multi-posture folded towel dispenser;

FIG. 5 is a top plan view of the multi-posture folded towel dispenser;

FIG. 6 is a rear view of the multi-posture folded towel dispenser; and,

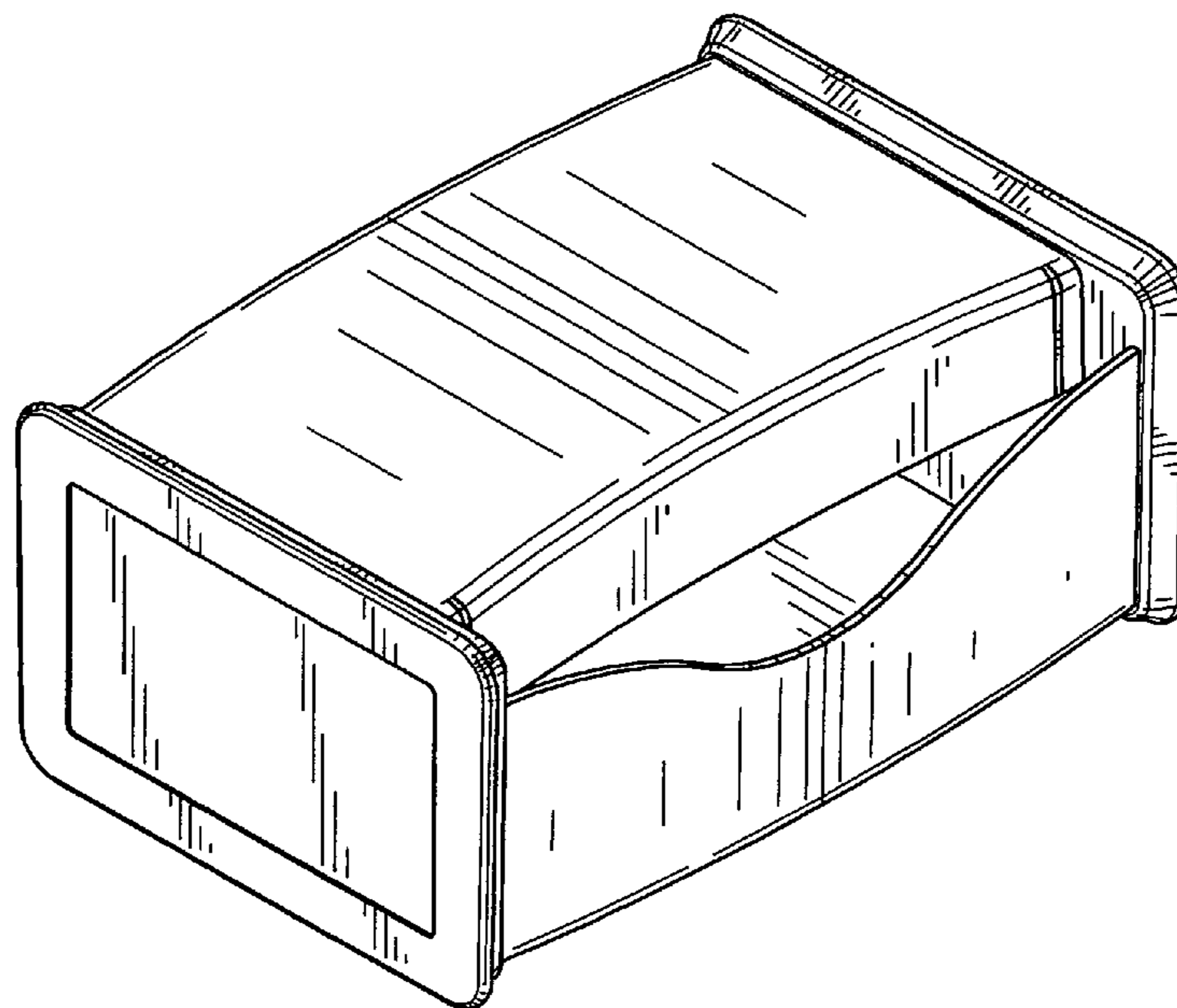
FIG. 7 is a bottom plan view of the multi-posture folded towel dispenser.

(56) **References Cited**

U.S. PATENT DOCUMENTS

D56,730 S * 12/1920 Teall D7/631
2,475,657 A 7/1949 Braley
D187,955 S * 5/1960 Restaino et al. D6/515
3,068,055 A * 12/1962 Lenzi et al. D7/631
D200,661 S * 3/1965 Ema D6/519
3,203,586 A 8/1965 Downham
3,307,740 A 3/1967 Fant
D212,041 S * 8/1968 Sharpe D7/631
4,953,747 A 9/1990 Wenkman et al.

1 Claim, 4 Drawing Sheets



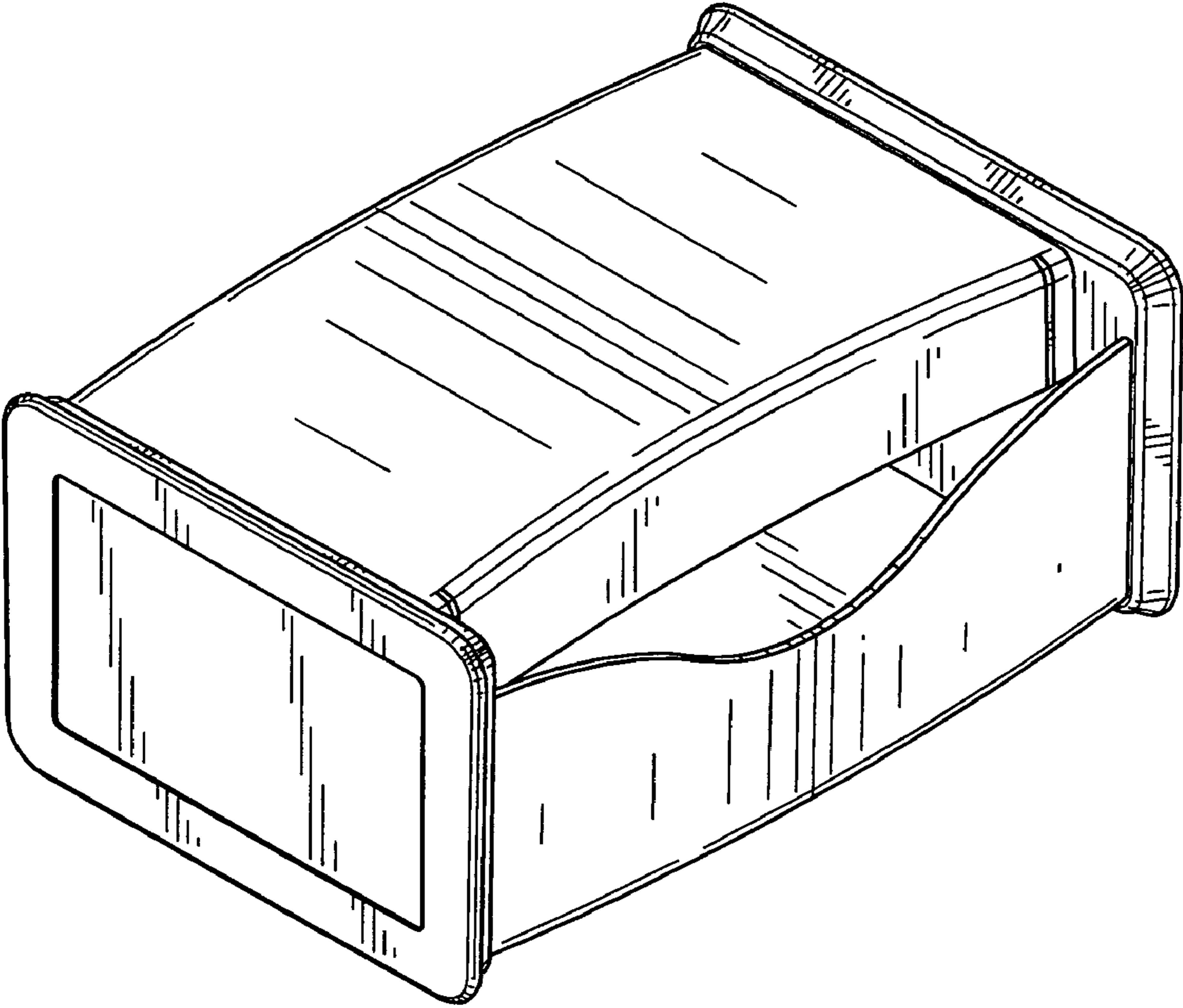


FIG. 1

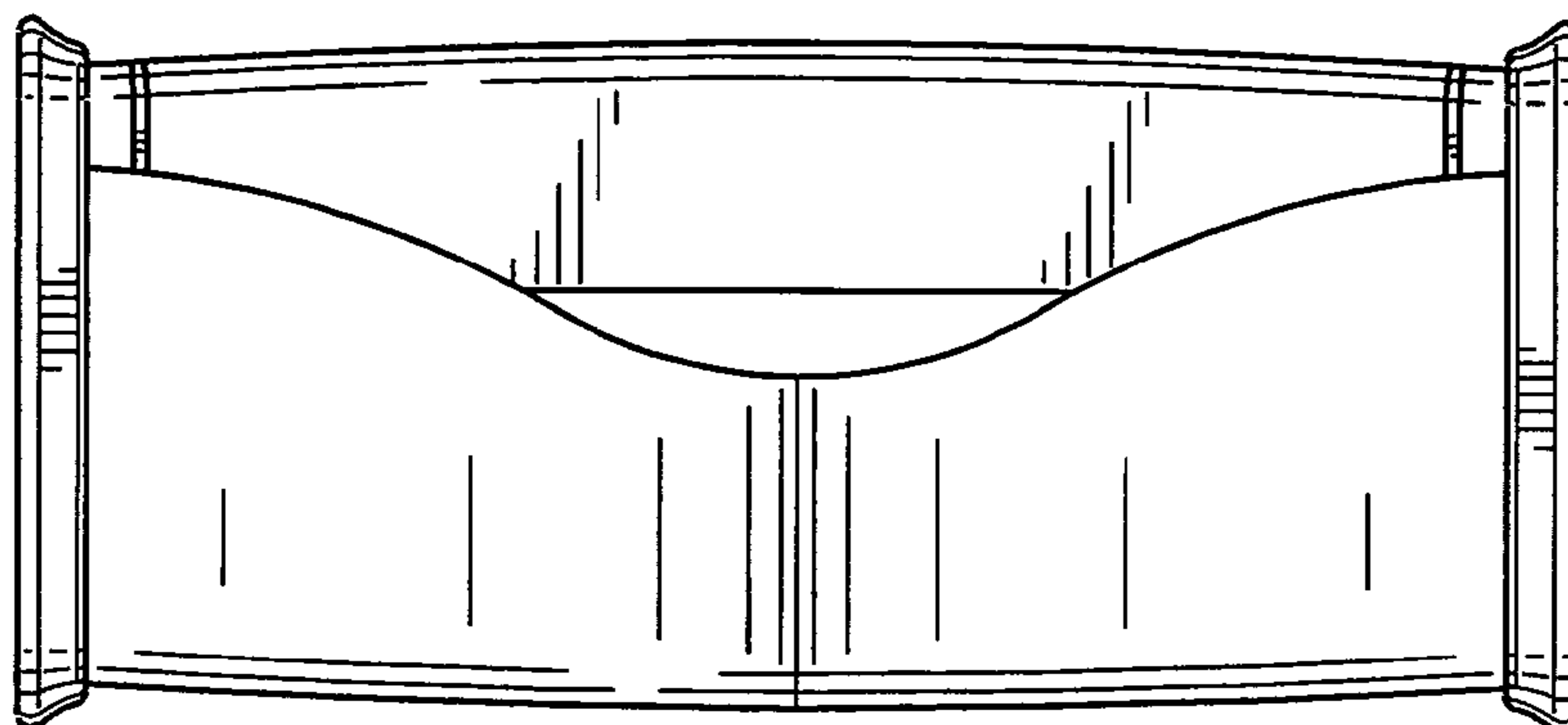


FIG. 2

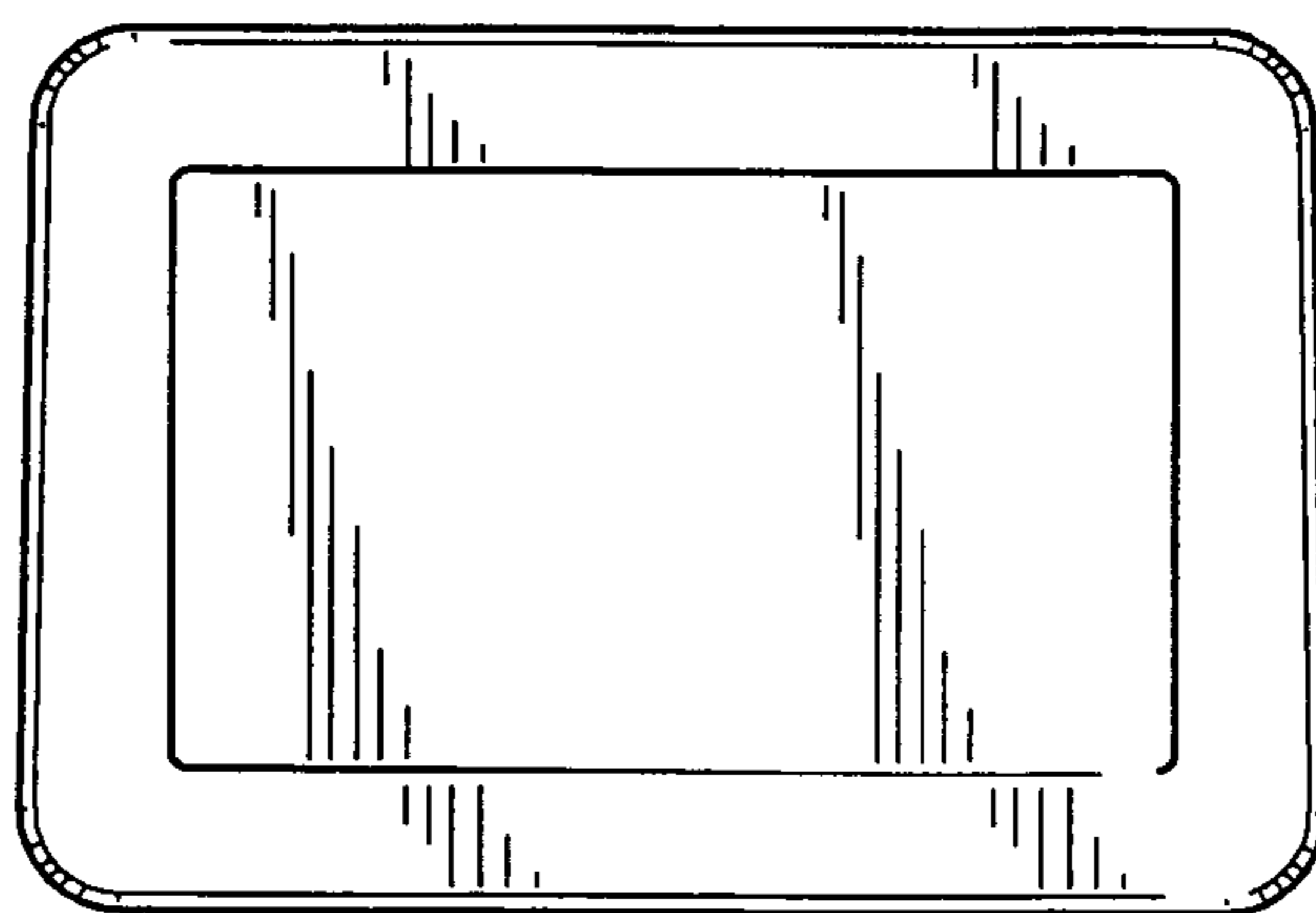


FIG. 3

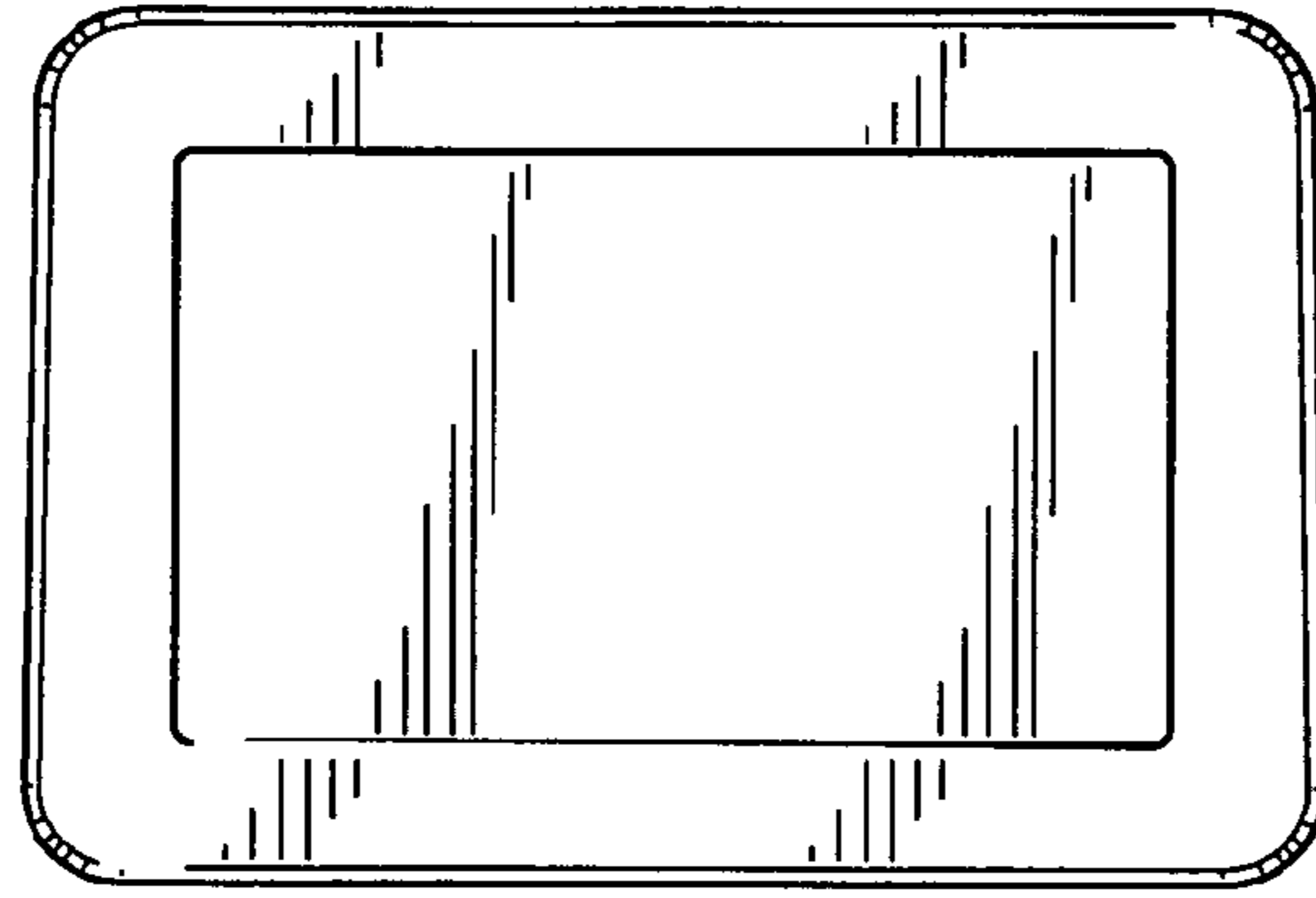


FIG. 4

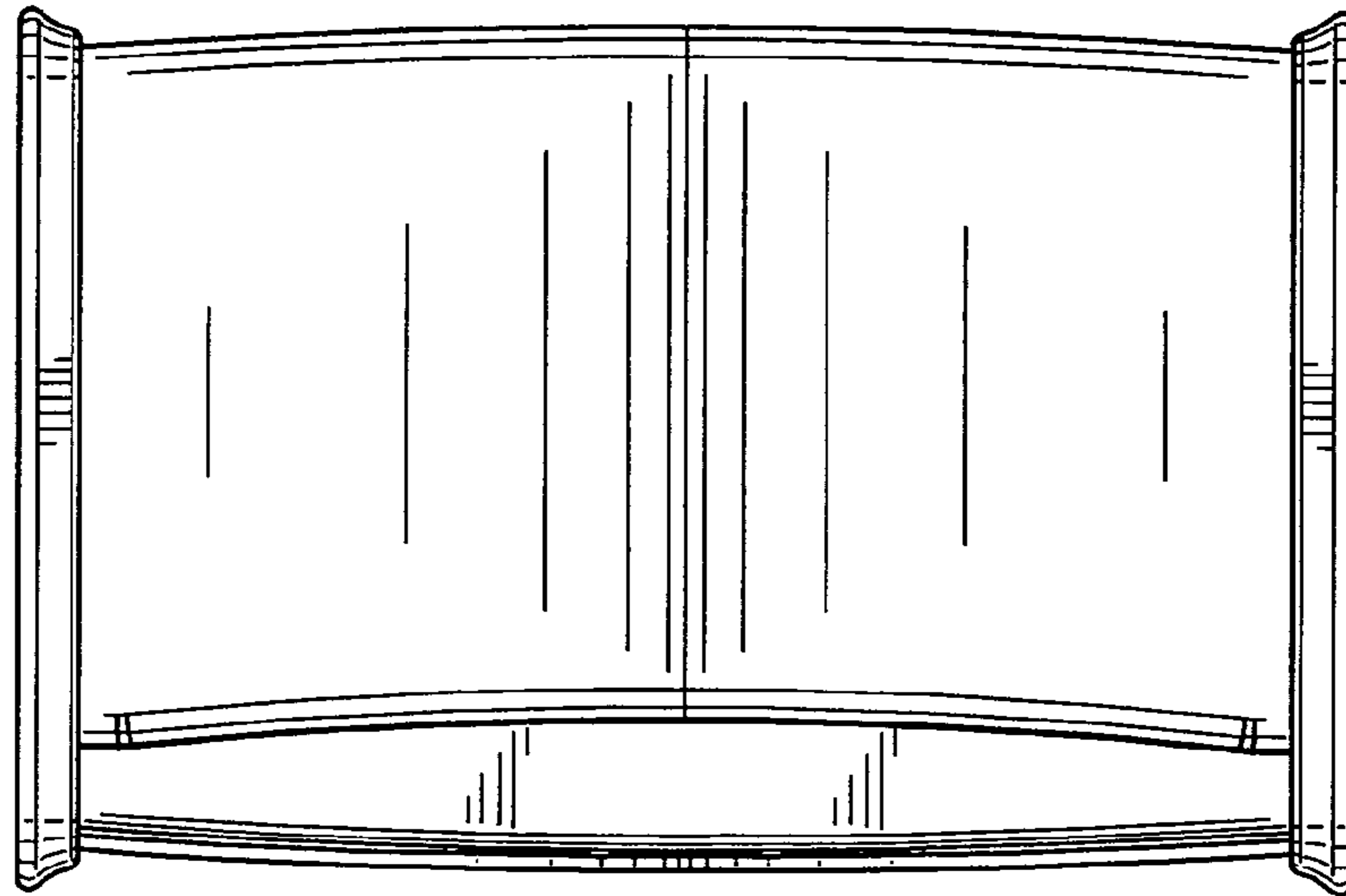


FIG. 5

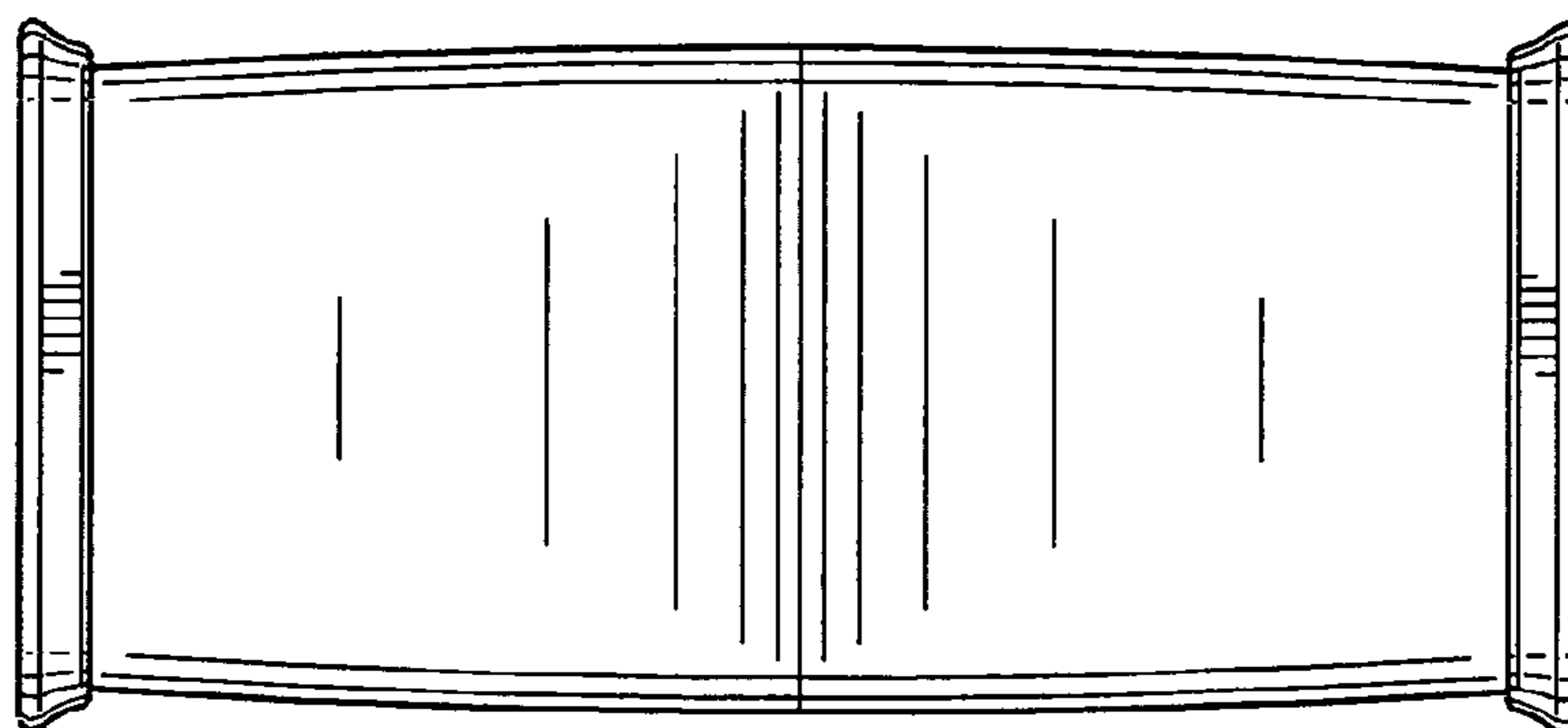


FIG. 6

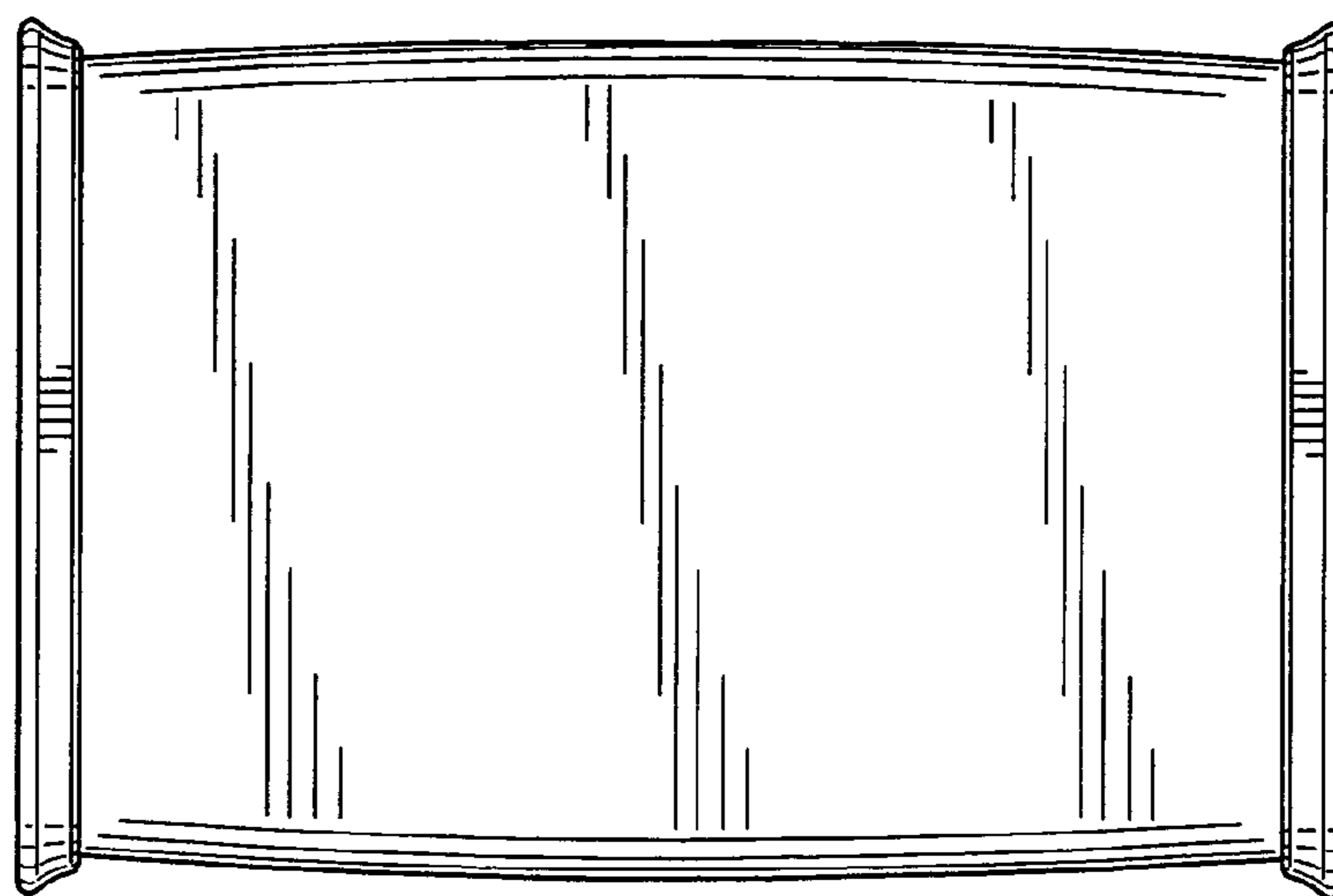


FIG. 7