



US00D546600S

(12) **United States Design Patent**
Goldberg

(10) **Patent No.:** **US D546,600 S**

(45) **Date of Patent:** **** Jul. 17, 2007**

(54) **PORTIONS OF A RIGHT SIDE SHELF AND CABINET INCLINE**

6,474,677 B2 * 11/2002 Kasuya 280/639
6,663,202 B2 * 12/2003 Spann 312/249.12
2006/0076861 A1 * 4/2006 Baughman 312/314

(75) Inventor: **Mark A. Goldberg**, Lido Beach, NY
(US)

OTHER PUBLICATIONS

Global Industrial Company Online Catalog page, Mobile Security Computer Cabinet, 2006.*

(73) Assignee: **Global Equipment Company Inc.**,
New York

* cited by examiner

(**) Term: **14 Years**

Primary Examiner—Cathron C. Brooks

(21) Appl. No.: **29/257,743**

(74) *Attorney, Agent, or Firm*—Davidoff Malito & Hutcher LLP

(22) Filed: **Apr. 10, 2006**

(57) **CLAIM**

(51) **LOC (8) Cl.** **06-06**

The ornamental design for portions of a right side shelf and cabinet incline, as shown and described.

(52) **U.S. Cl.** **D6/511**

(58) **Field of Classification Search** D6/422,
D6/425, 426, 429, 491, 492, 494, 495, 509–511;
312/21, 205, 208.4, 241, 313, 314
See application file for complete search history.

DESCRIPTION

FIG. 1 is an isometric view of portions of a right side shelf and cabinet incline in accordance with the invention;

(56) **References Cited**

U.S. PATENT DOCUMENTS

D23,685 S * 10/1894 Brinckmann D6/436
D130,079 S * 10/1941 Weller D6/430
D163,013 S * 4/1951 Zeman D6/430
D187,232 S * 2/1960 Matyas D6/436
4,290,657 A * 9/1981 Haas 312/21
D267,690 S * 1/1983 Verdesca D6/426
D282,132 S * 1/1986 Santner D6/511
D293,284 S * 12/1987 Wright et al. D6/425
D328,680 S * 8/1992 Zapf D6/511
D381,529 S * 7/1997 Ugalde D6/425
D441,213 S * 5/2001 van de Oudeweetering . D6/425
D452,786 S * 1/2002 Petri D6/511
D458,484 S * 6/2002 Wood D6/511

FIG. 2 is a front view thereof;

FIG. 3 is a rear view thereof;

FIG. 4 is a left side view thereof;

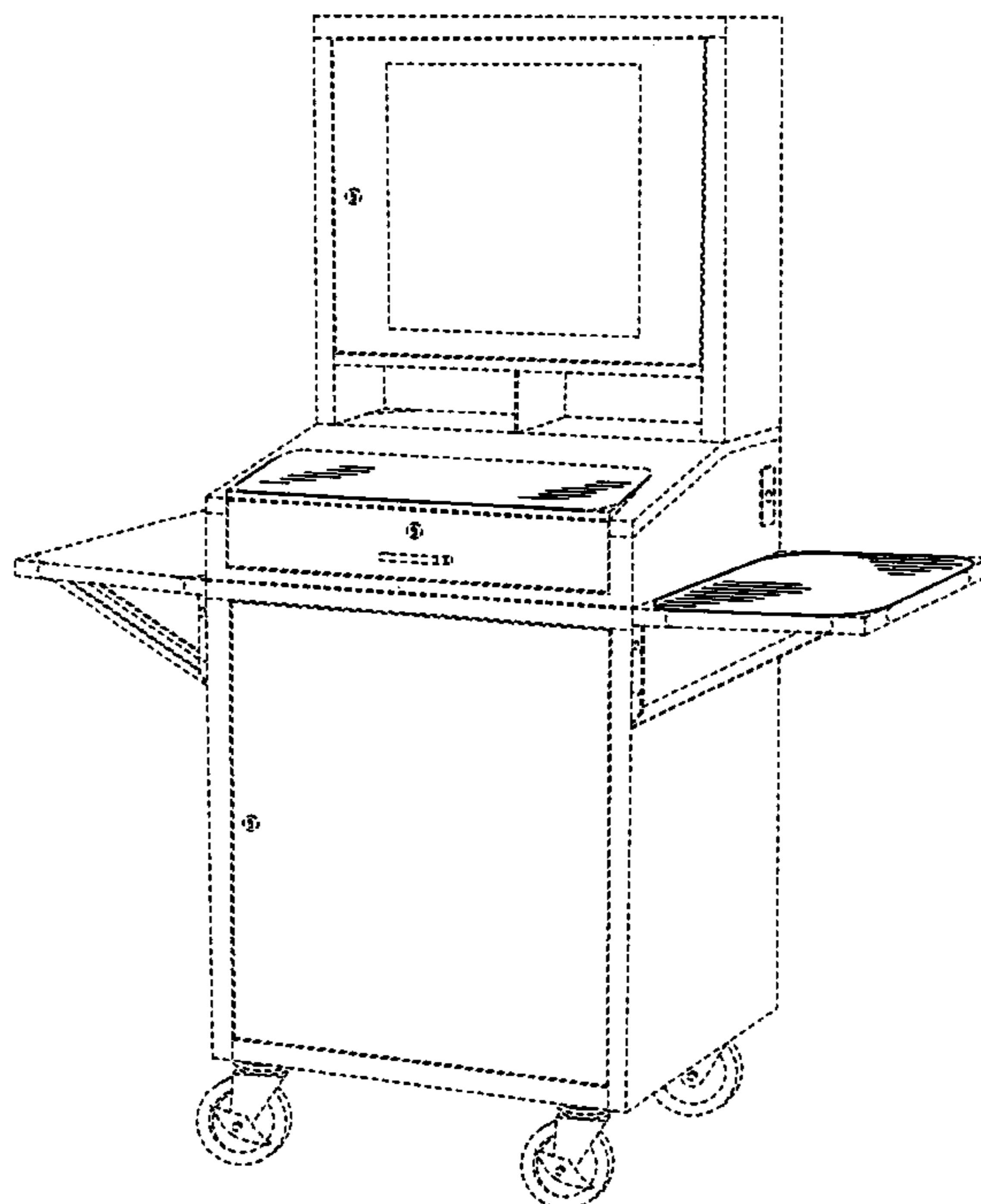
FIG. 5 is a right side view thereof;

FIG. 6 is a top view thereof; and,

FIG. 7 is a bottom view thereof.

The broken lines form no part of the claimed design. The rounded broken-line corners and the broken-line showing of one side of the cabinet incline portion of the design represent the bound of the design. Surfaces not shown in the drawing are flat, plain and unornamented.

1 Claim, 7 Drawing Sheets



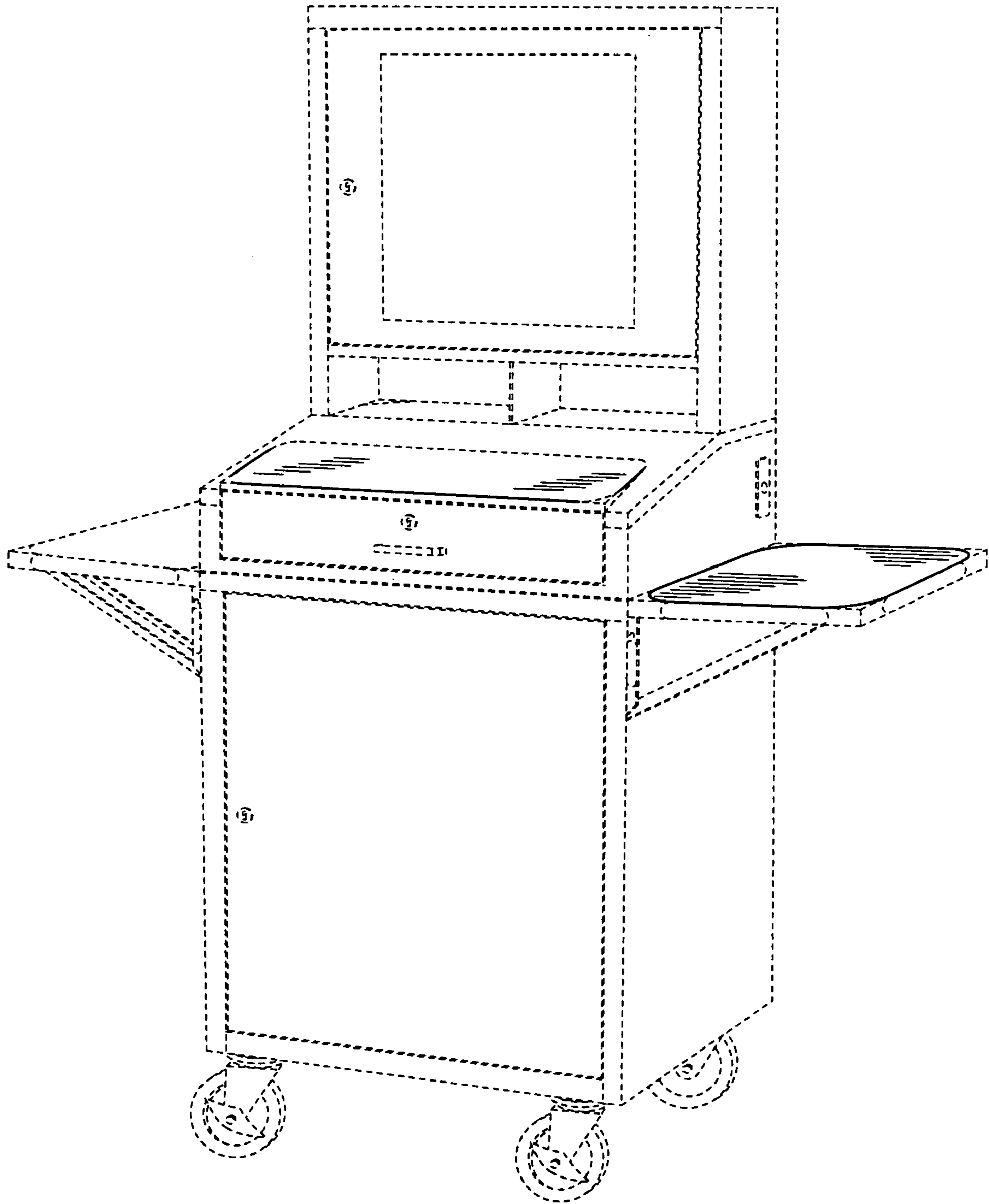


FIG. 1

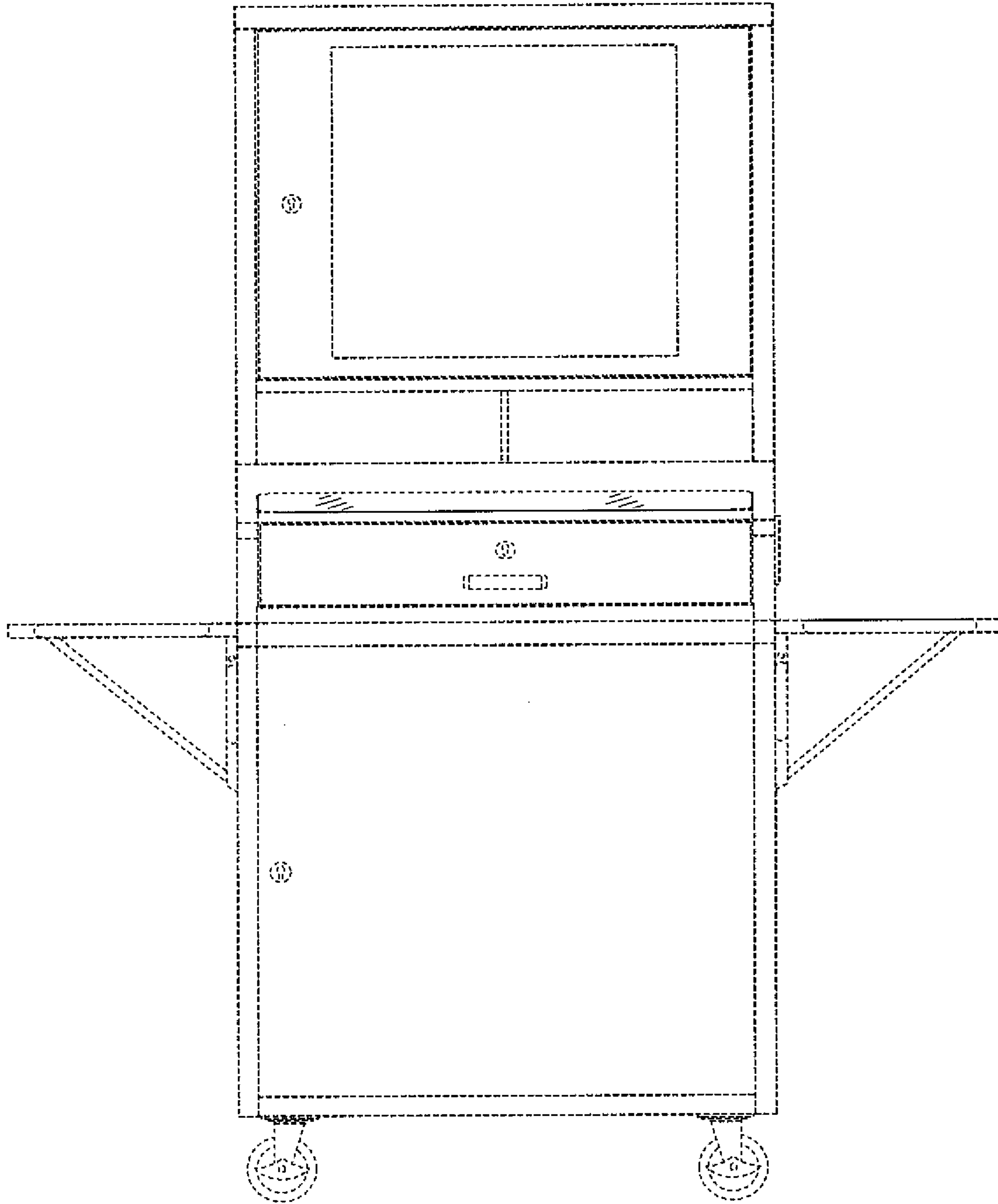


FIG. 2

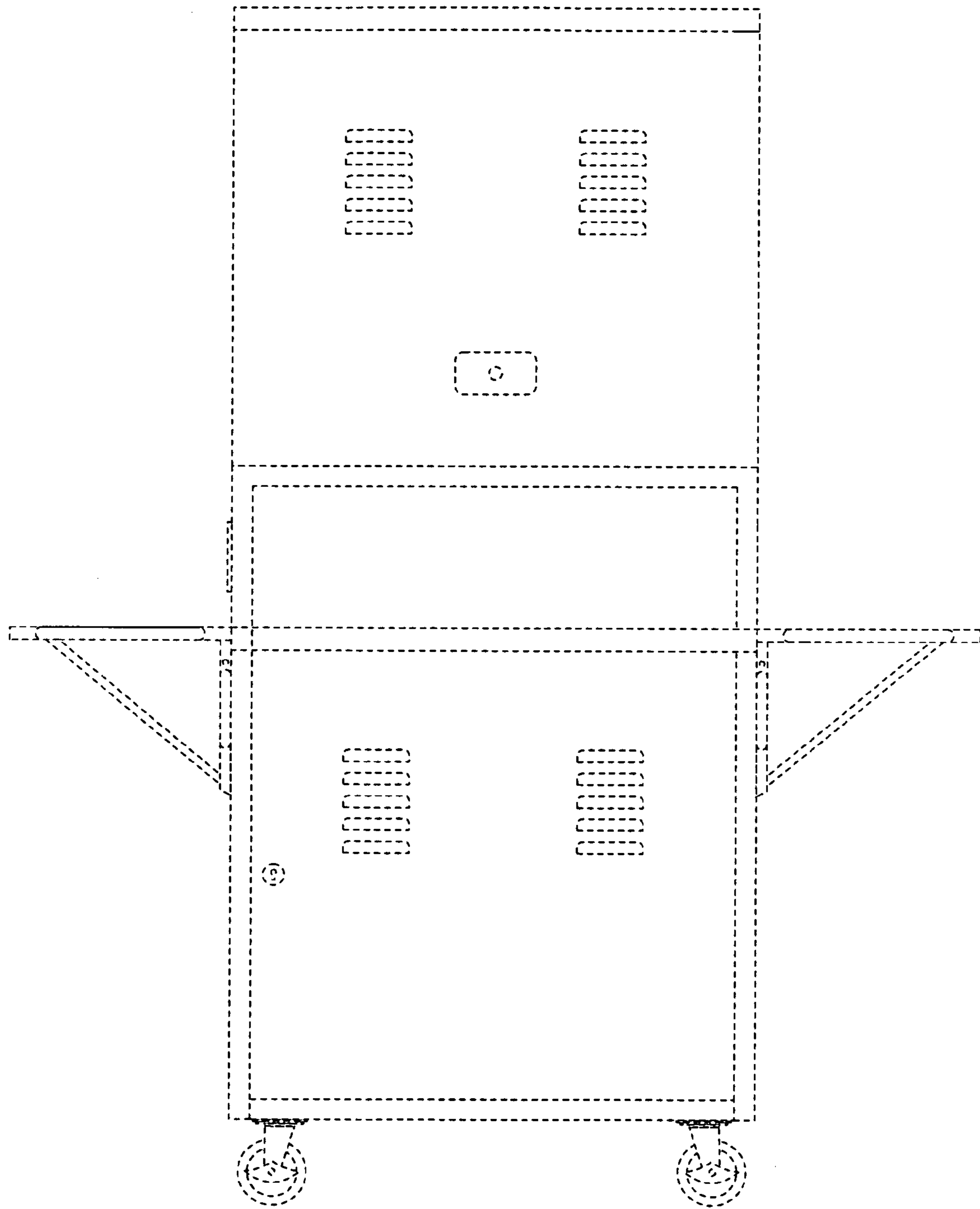


FIG. 3

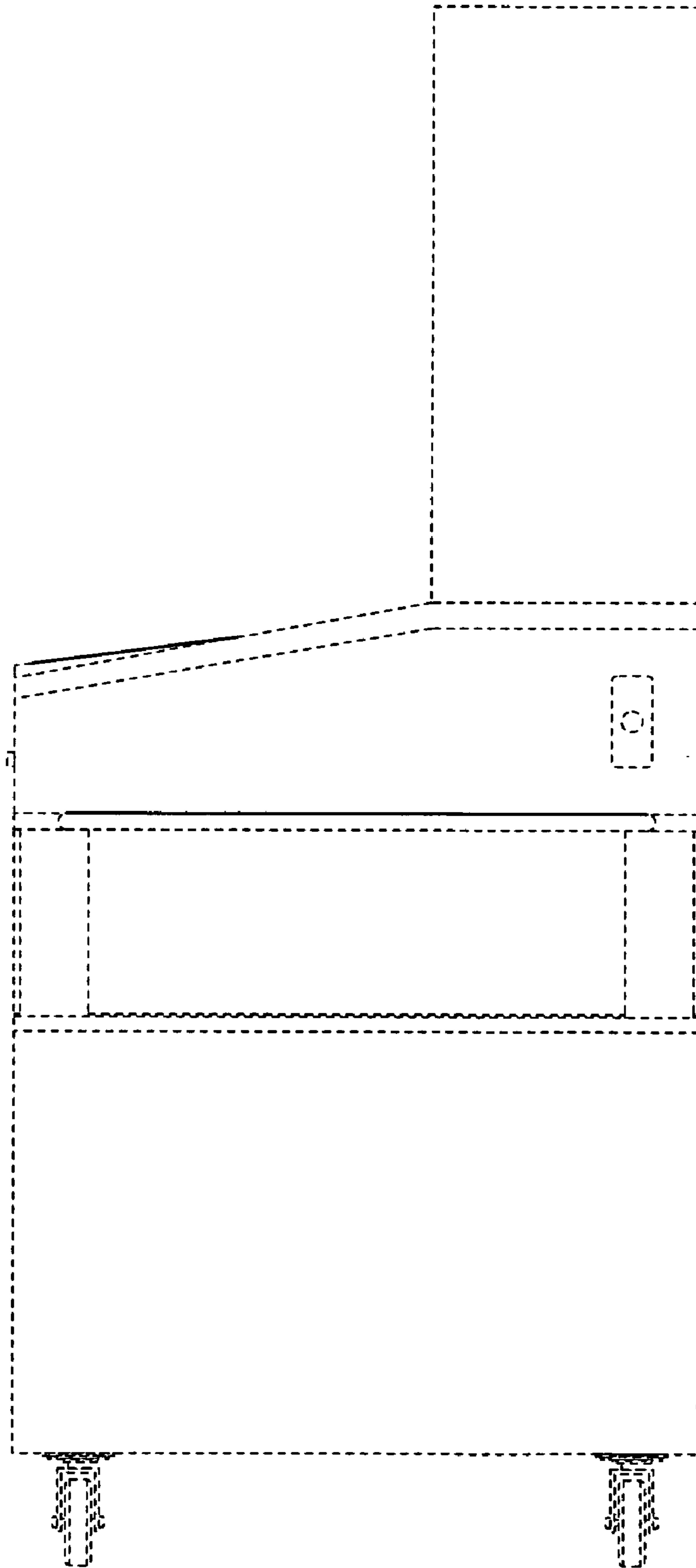


FIG. 4

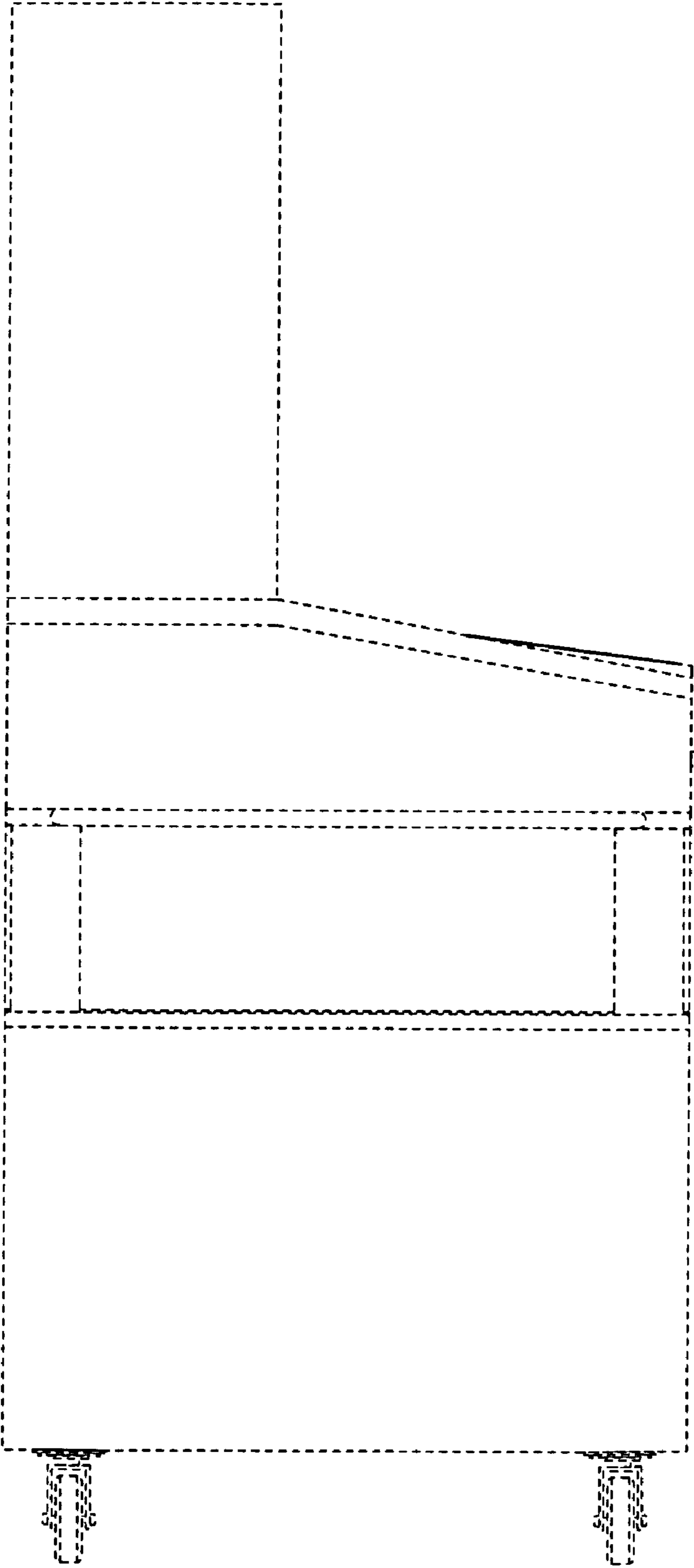


FIG. 5

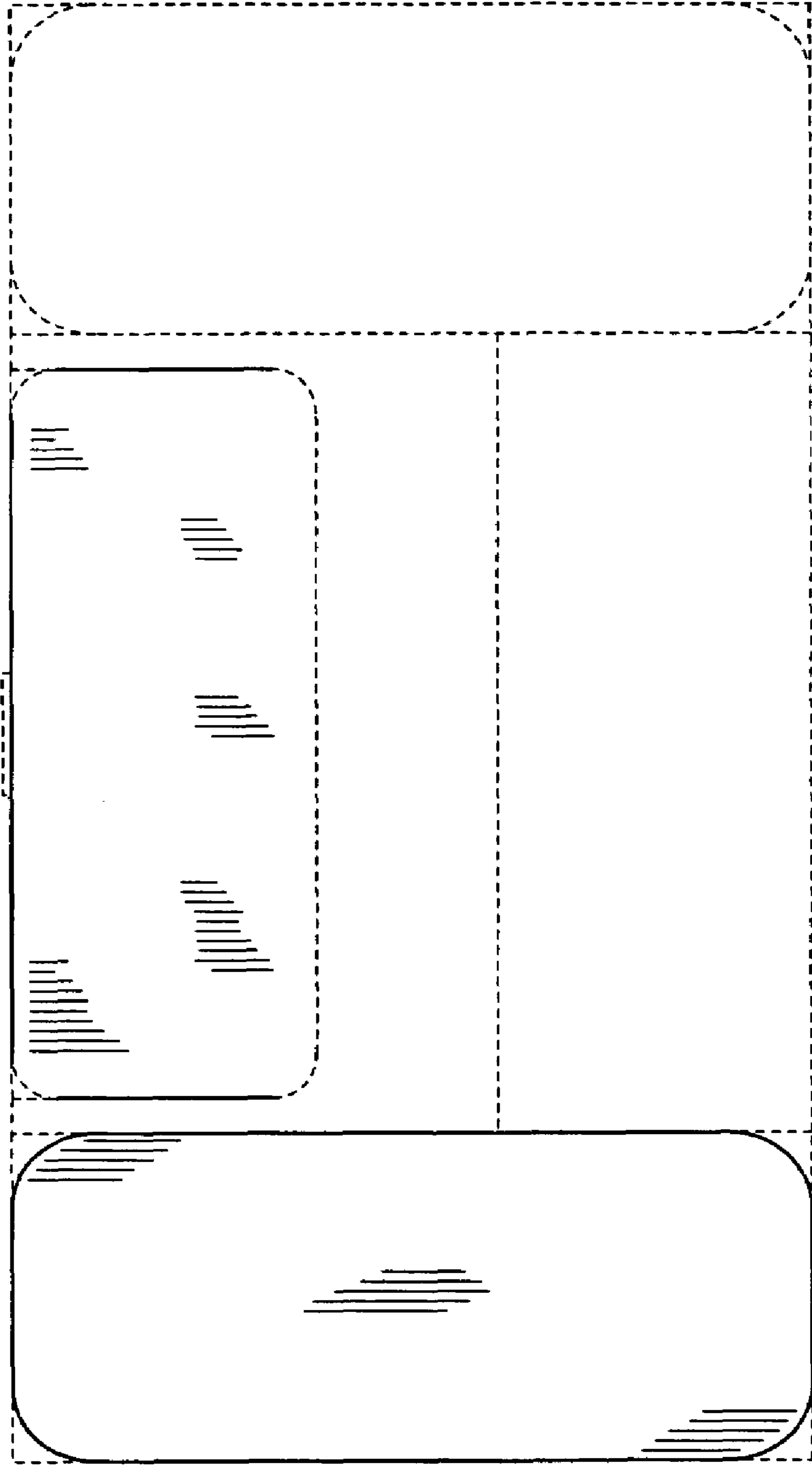


FIG. 6

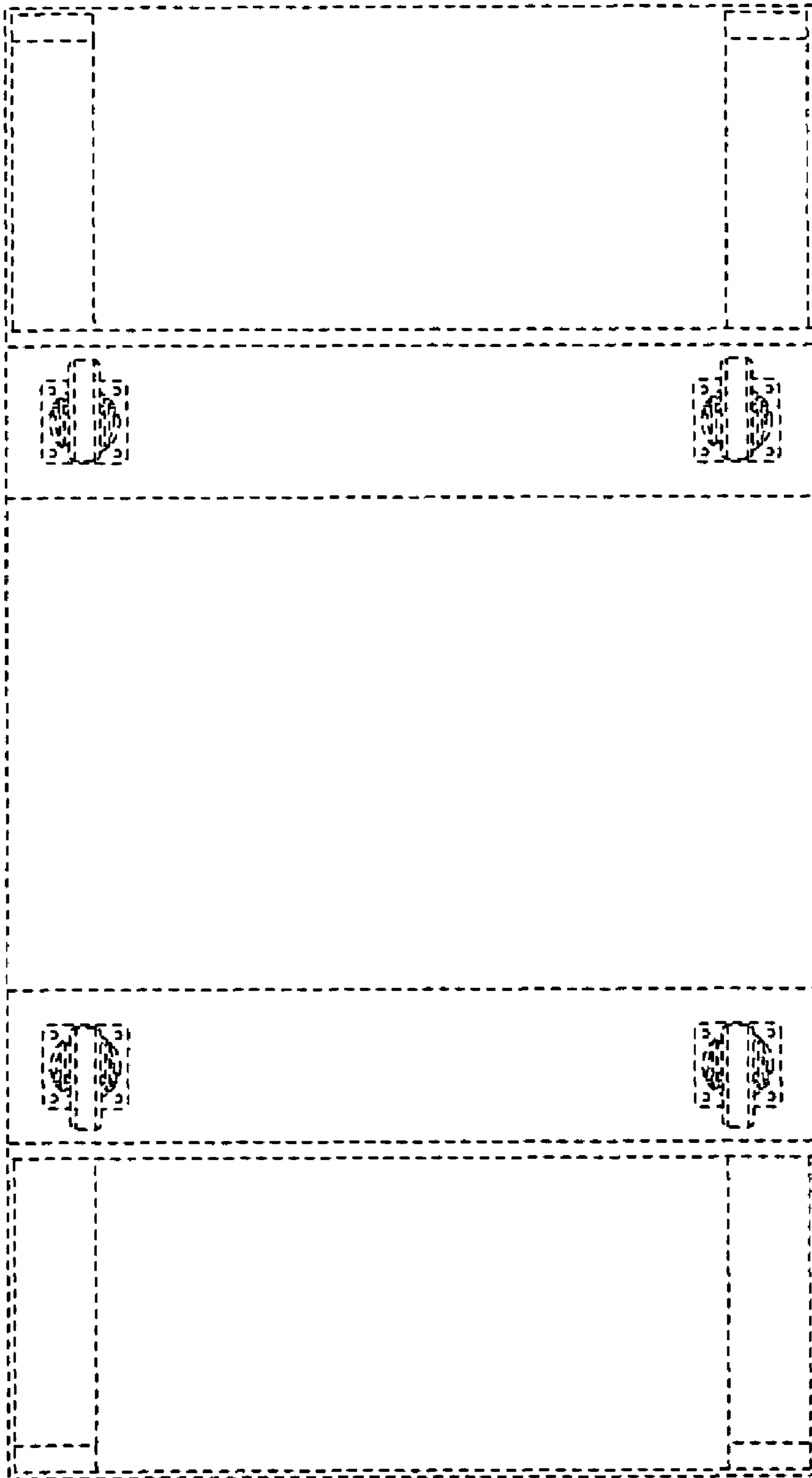


FIG. 7