



US00D546599S

(12) **United States Design Patent**  
**Goldberg**

(10) **Patent No.:** **US D546,599 S**

(45) **Date of Patent:** **\*\* Jul. 17, 2007**

(54) **PORTIONS OF A RIGHT SIDE SHELF AND CABINET DRAWER**

6,474,677 B2 \* 11/2002 Kasuya ..... 280/639  
6,663,202 B2 \* 12/2003 Spann ..... 312/249.12  
2006/0076861 A1 \* 4/2006 Baughman ..... 312/314

(75) Inventor: **Mark A. Goldberg**, Lido Beach, NY  
(US)

**OTHER PUBLICATIONS**

Global Industrial Company Online Catalog page, Mobile Security Computer Cabinet, 2006.\*

(73) Assignee: **Global Equipment Company, Inc.** NY  
(US)

\* cited by examiner

(\*\*) Term: **14 Years**

*Primary Examiner*—Cathron C. Brooks

(21) Appl. No.: **29/257,744**

(74) *Attorney, Agent, or Firm*—Davidoff Malito & Jutcher LLP

(22) Filed: **Apr. 10, 2006**

(57) **CLAIM**

(51) **LOC (8) Cl.** ..... **06-06**

The ornamental design for portions of a right side shelf and cabinet drawer, as shown and described.

(52) **U.S. Cl.** ..... **D6/510; D6/511**

(58) **Field of Classification Search** ..... D6/422,  
D6/425, 426, 429, 491, 492, 494, 495, 509–511;  
312/21, 205, 208.4, 241, 313, 314  
See application file for complete search history.

**DESCRIPTION**

FIG. 1 is an isometric view of portions of a right side shelf and cabinet drawer in accordance with the invention;

(56) **References Cited**

**U.S. PATENT DOCUMENTS**

FIG. 2 is a front view thereof;

FIG. 3 is a rear view thereof;

- D23,685 S \* 10/1894 Brinckmann ..... D6/436
- D130,079 S \* 10/1941 Weller ..... D6/430
- D163,013 S \* 4/1951 Zeman ..... D6/430
- D187,232 S \* 2/1960 Matyas ..... D6/436
- 4,290,657 A \* 9/1981 Haas ..... 312/21
- D267,690 S \* 1/1983 Verdesca ..... D6/426
- D282,132 S \* 1/1986 Santner ..... D6/511
- D293,284 S \* 12/1987 Wright et al. .... D6/425
- D328,680 S \* 8/1992 Zapf ..... D6/511
- D381,529 S \* 7/1997 Ugalde ..... D6/425
- D441,213 S \* 5/2001 van de Oudeweetering . D6/425
- D452,786 S \* 1/2002 Petri ..... D6/511
- D458,484 S \* 6/2002 Wood ..... D6/511

FIG. 4 is a left side view thereof;

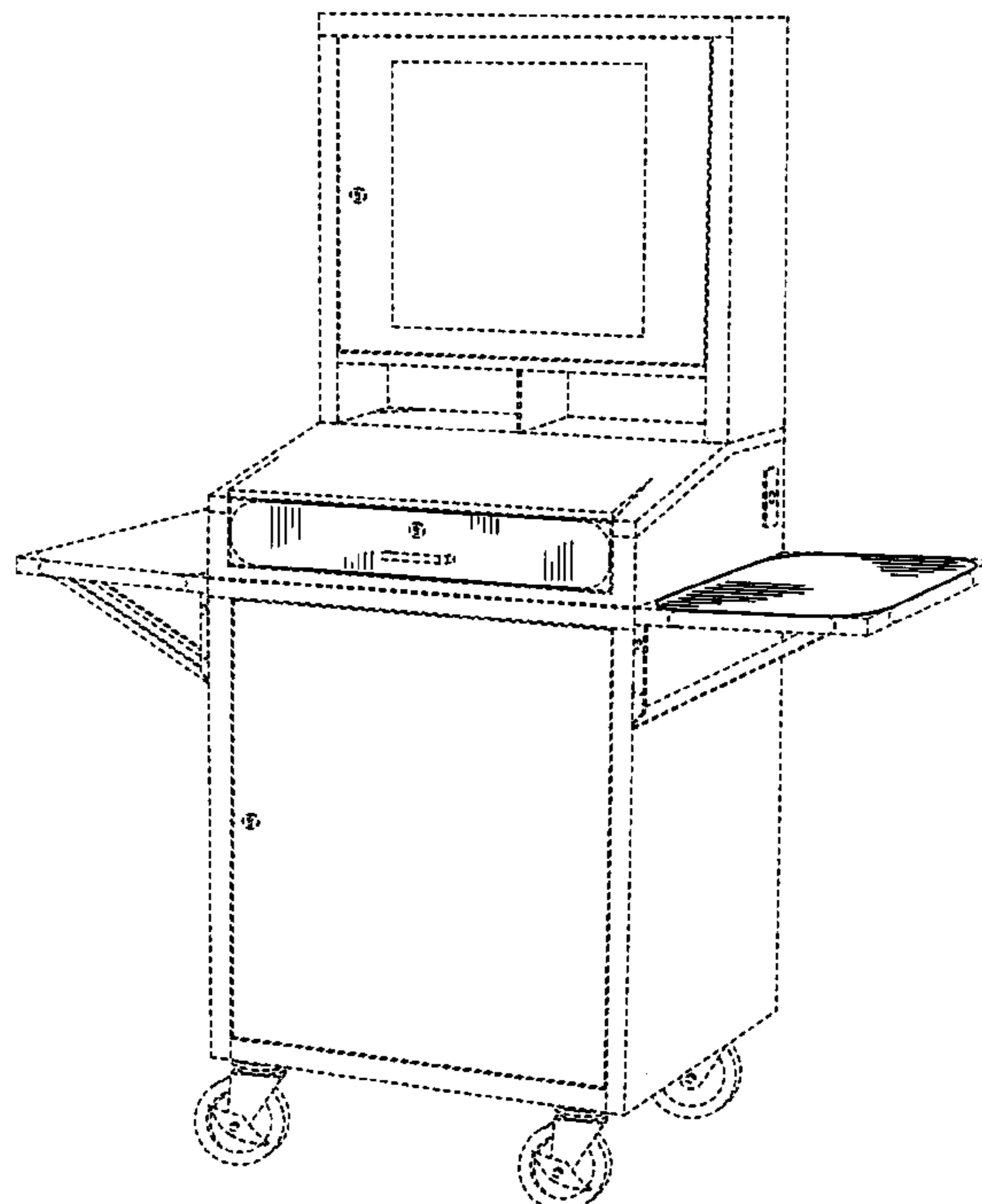
FIG. 5 is a right side view thereof;

FIG. 6 is a top view thereof; and,

FIG. 7 is a bottom view thereof.

The broken lines form no part of the claimed design. The rounded broken-line corners and the broken-line showing of one side of the cabinet incline portion of the design represent the bound of the design. Surfaces not shown in the drawing are flat, plain and unornamented.

**1 Claim, 7 Drawing Sheets**



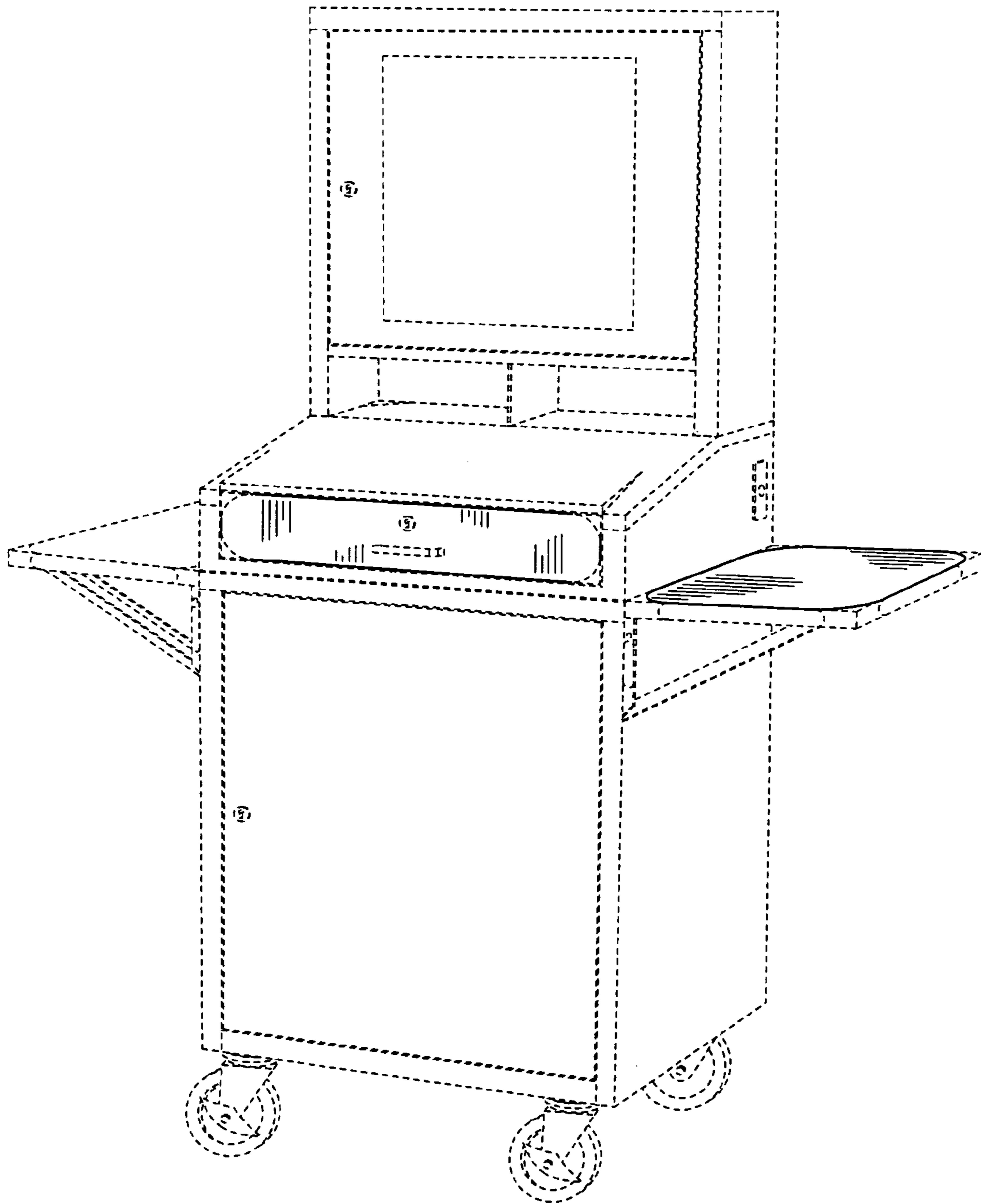


FIG. 1

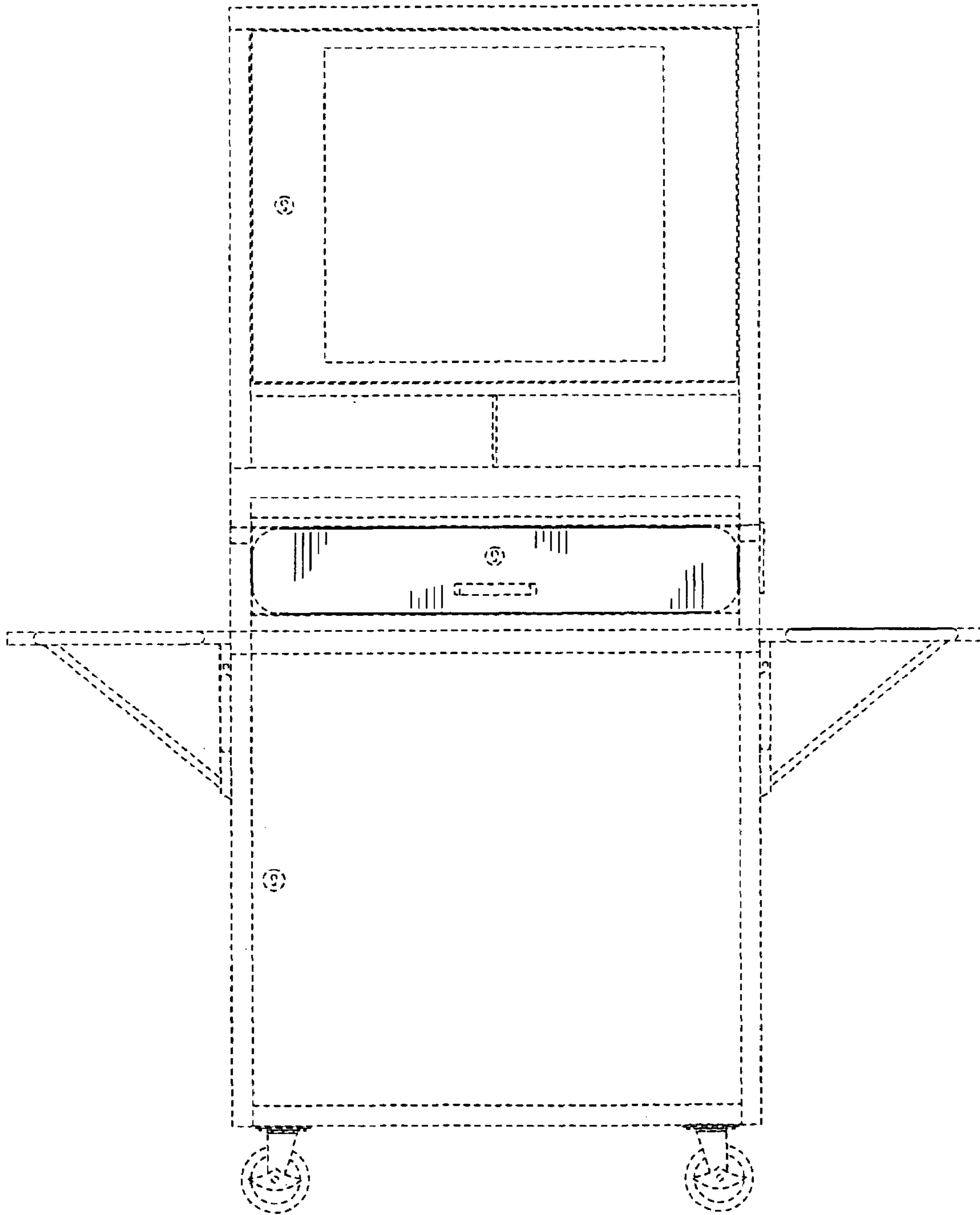


FIG. 2

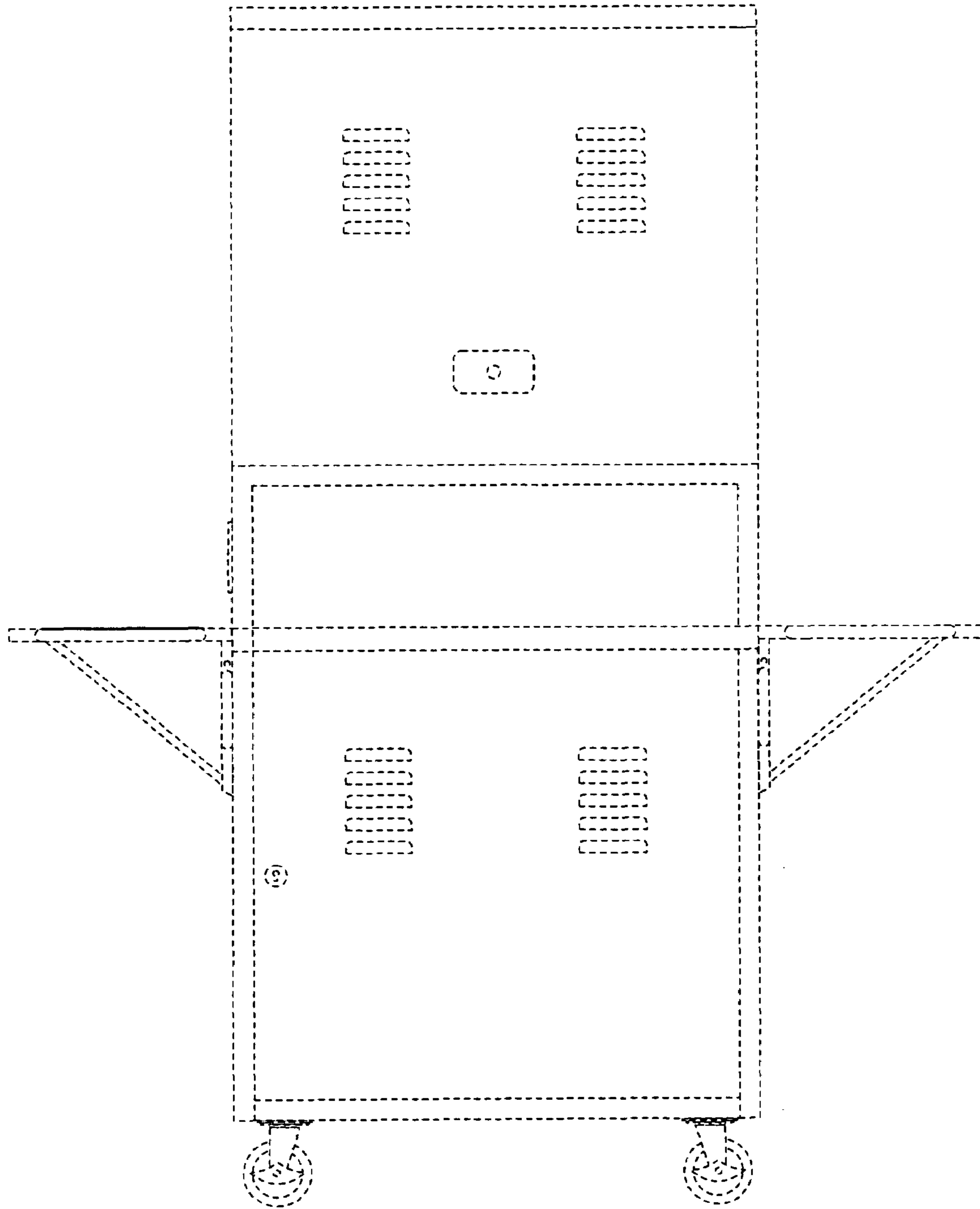


FIG. 3

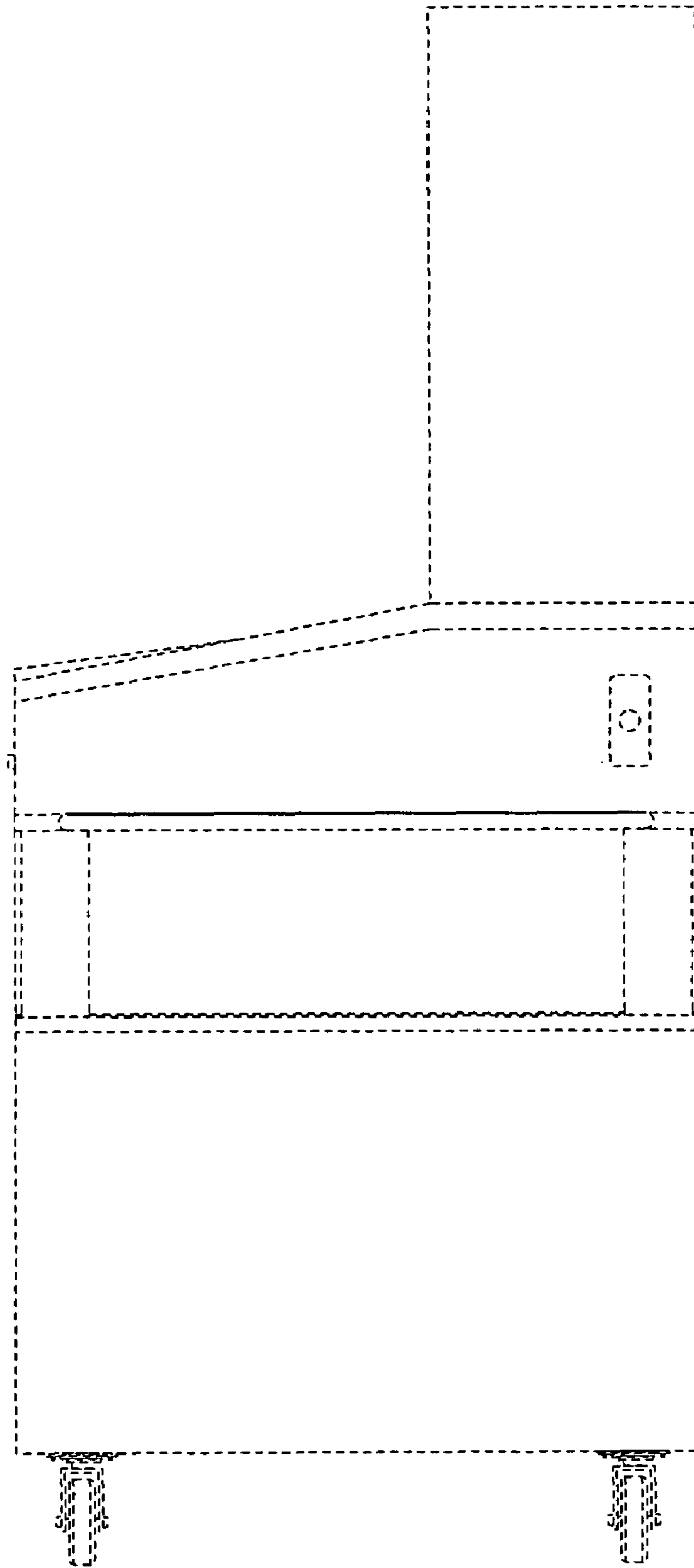


FIG. 4

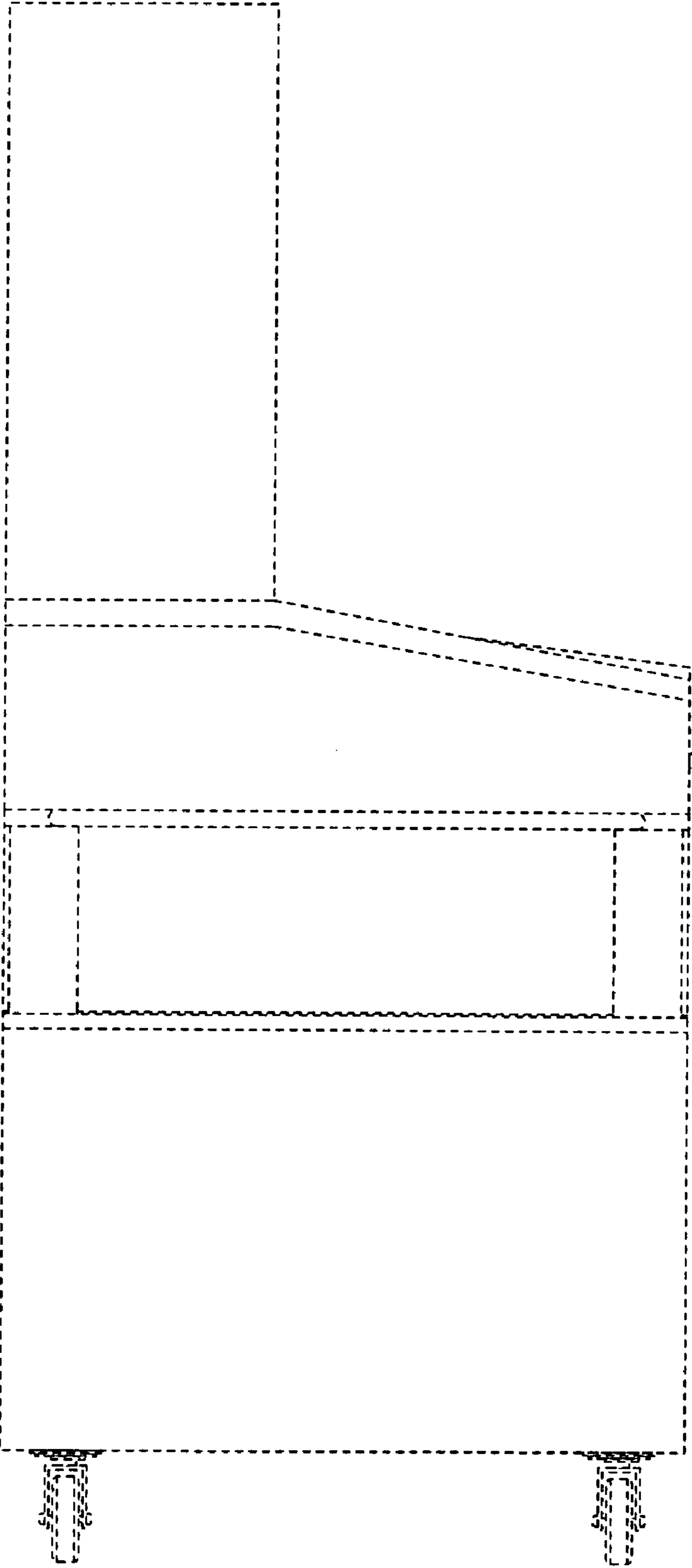


FIG. 5

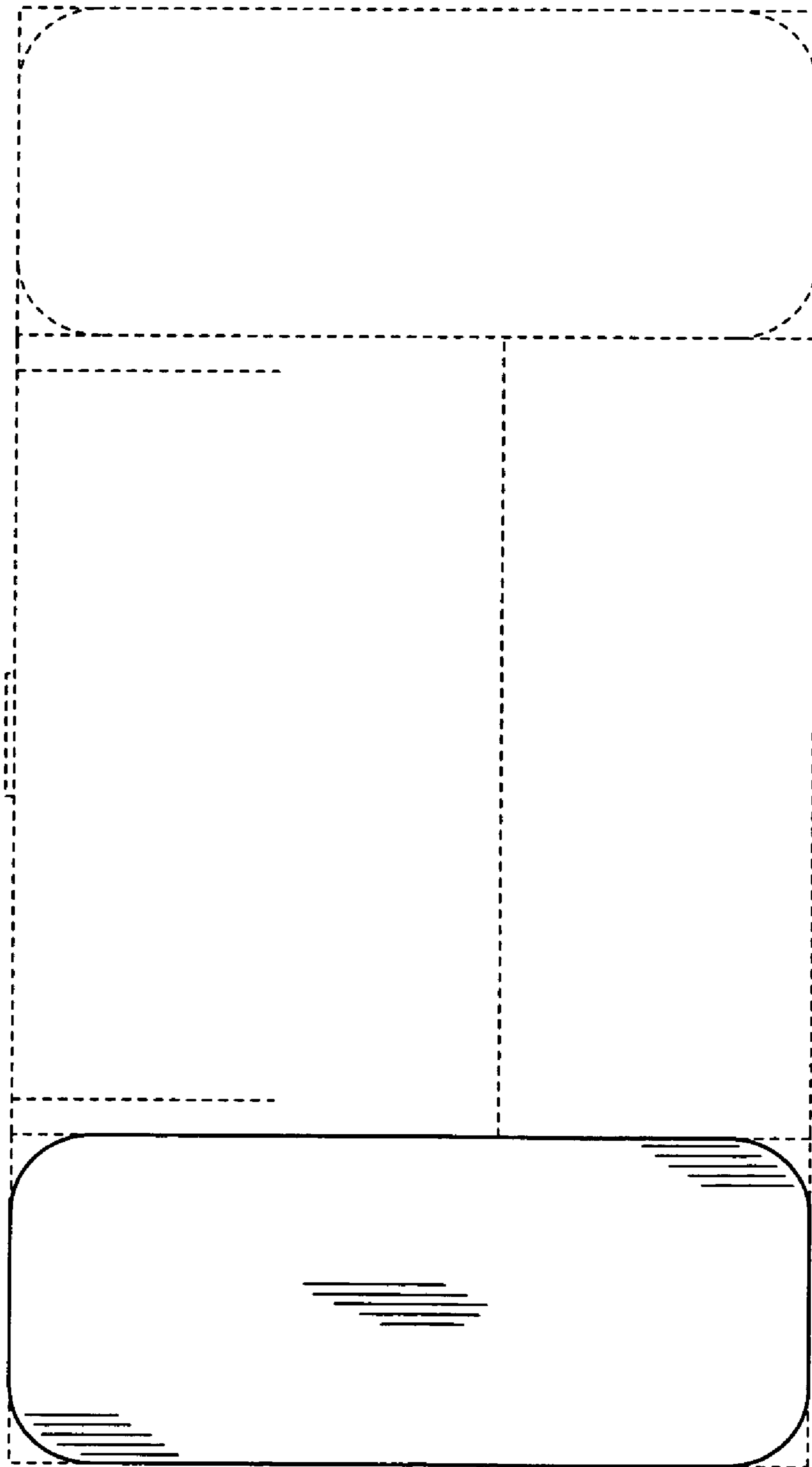


FIG. 6

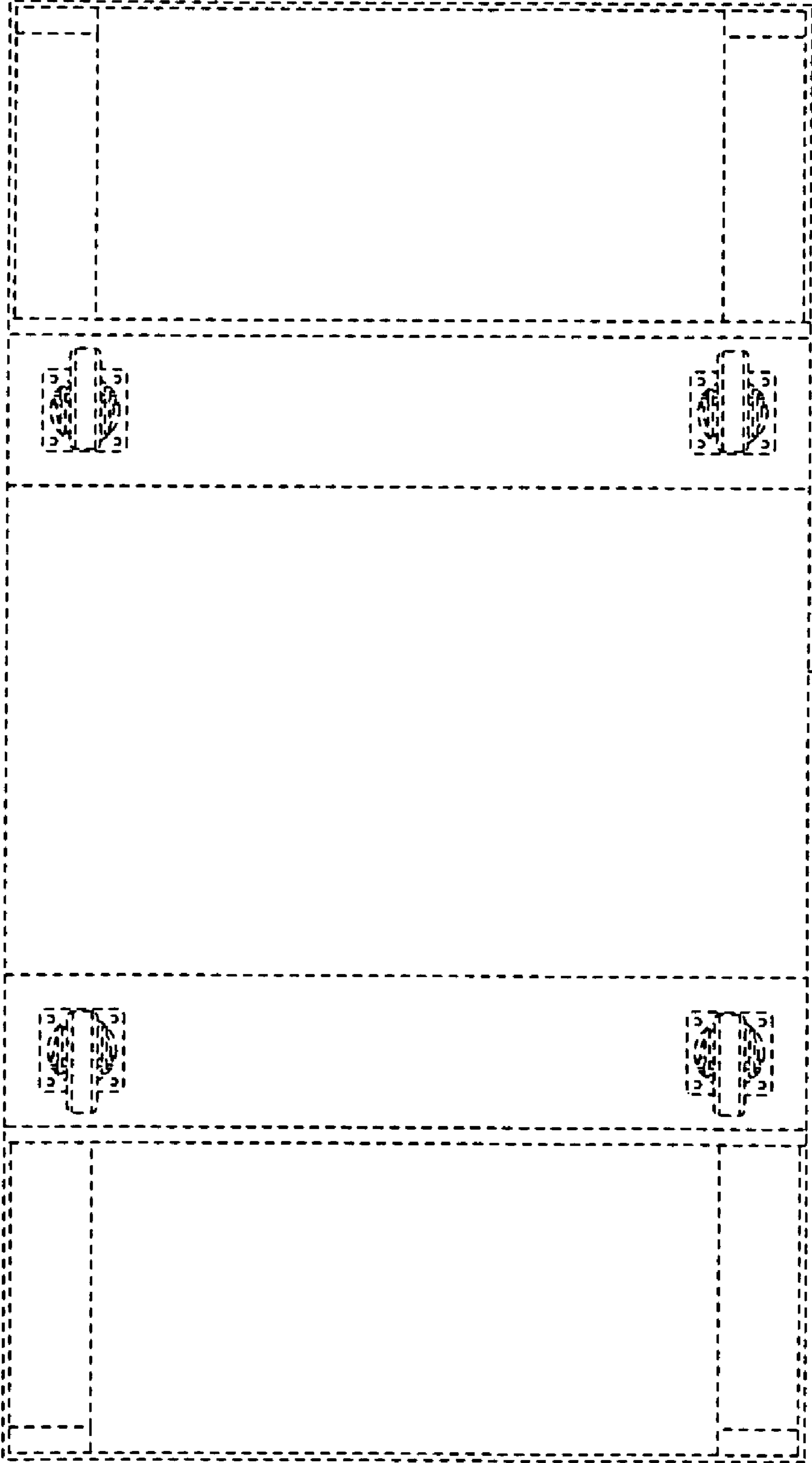


FIG. 7