



US00D546596S

(12) **United States Design Patent** (10) **Patent No.:** **US D546,596 S**
McDermott et al. (45) **Date of Patent:** **** Jul. 17, 2007**

(54) **BREATH GUARD**
(75) Inventors: **Michael B. McDermott**, Sedalia, MO (US); **Michael W. McGaha**, Sedalia, MO (US); **Albert D. Smith**, Sedalia, MO (US)
(73) Assignee: **Duke Manufacturing Co.**, St. Louis, MO (US)
(**) Term: **14 Years**
(21) Appl. No.: **29/242,240**
(22) Filed: **Nov. 8, 2005**

5,207,490 A 5/1993 Kaspar et al.
D339,934 S * 10/1993 Reuter D6/441
5,618,089 A 4/1997 Stenemann
5,797,593 A 8/1998 Oyaizu
5,823,102 A * 10/1998 Will 99/645
6,132,018 A 10/2000 McGrath
6,141,984 A 11/2000 Perzon
6,385,990 B1 5/2002 Lee
D471,380 S * 3/2003 King et al. D6/441
D472,083 S * 3/2003 English et al. D6/509
6,588,863 B1 * 7/2003 Yatchak et al. 312/140.4
6,942,612 B2 * 9/2005 Caspary et al. 600/22
2002/0043906 A1 * 4/2002 Dewitt et al 312/137
2004/0069726 A1 * 4/2004 Marchetta et al. 211/36
2006/0181180 A1 * 8/2006 McCabe 312/114

(51) **LOC (8) Cl.** **06-06**
(52) **U.S. Cl.** **D6/509**
(58) **Field of Classification Search** D6/509,
D6/396, 491, 470-472; 312/140.4, 116,
312/137, 114; 108/32, 134; 248/444.1,
248/445; 229/107

See application file for complete search history.

(56) **References Cited**

U.S. PATENT DOCUMENTS

2,125,523 A * 8/1938 Smith 312/114
2,346,368 A 4/1944 Edwards
2,518,134 A 8/1950 Fredenhagen et al.
D188,719 S 8/1960 Rhoads
3,771,847 A * 11/1973 Aylworth 312/245
4,194,731 A 3/1980 Marx
4,572,598 A 2/1986 Moore, Jr.
4,603,557 A 8/1986 Halbmann
4,802,340 A 2/1989 Johnson
4,842,349 A 6/1989 Stenemann
D303,190 S * 9/1989 Suttles D6/491
4,892,366 A * 1/1990 Yerman 312/140.4
5,112,118 A 5/1992 Wiehle
5,116,274 A 5/1992 Artwohl et al.
5,168,719 A 12/1992 Branz et al.
5,182,924 A 2/1993 Trulaske, Sr.

OTHER PUBLICATIONS

Statement of Thomas E. Yingst, 3 pages including Exhibit A, signed Oct. 1, 2004.
International Search Report for PCT/US04/29757, Dated Sep. 15, 2004, 3 pages.

* cited by examiner

Primary Examiner—Cathron C. Brooks
Assistant Examiner—Kelley A. Donnelly
(74) *Attorney, Agent, or Firm*—Senniger Powers

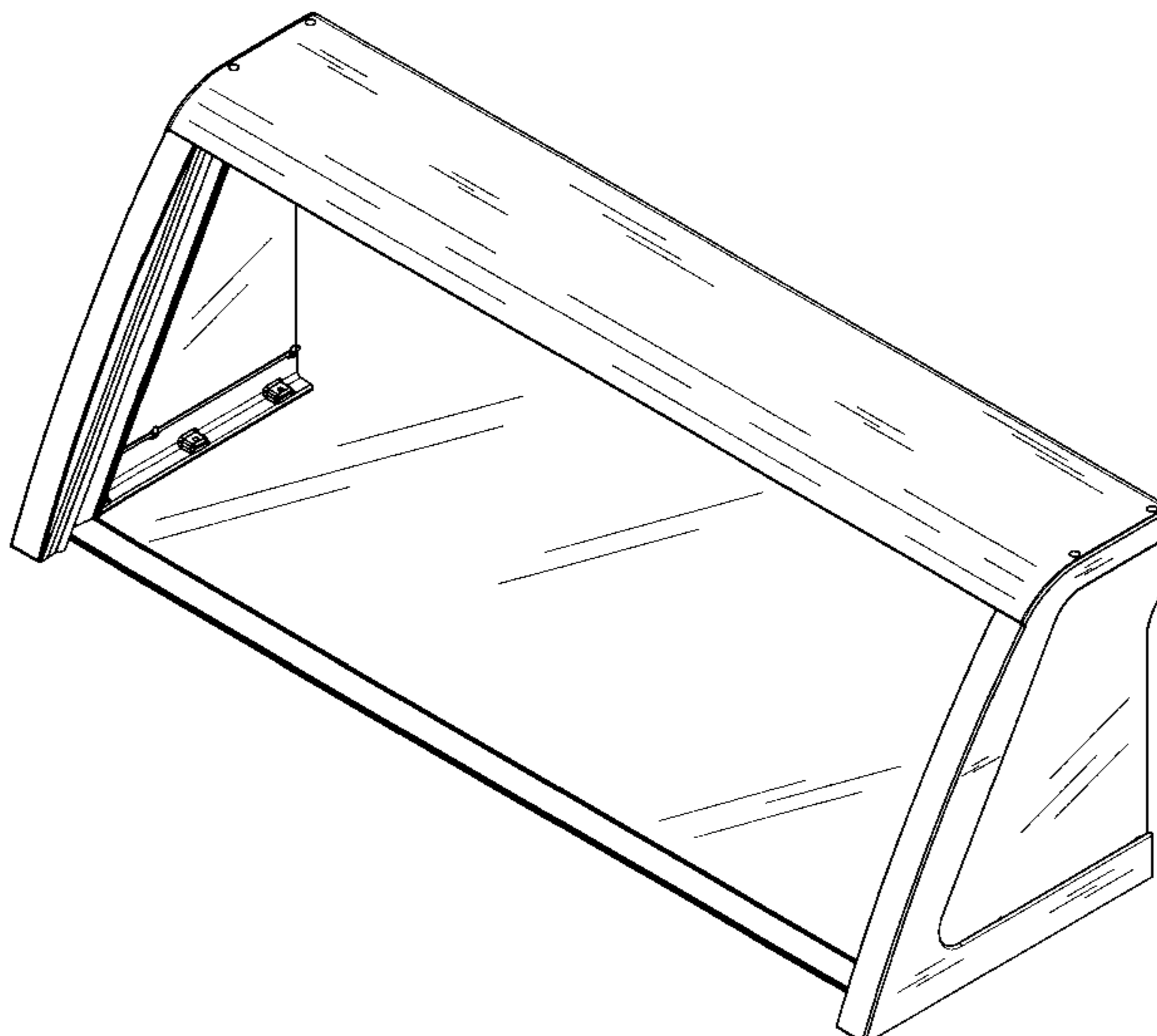
(57) **CLAIM**

The ornamental design for a breath guard, as shown and described.

DESCRIPTION

FIG. 1 is a perspective of a breath guard of the present invention;
FIG. 2 is a front elevation thereof;
FIG. 3 is a right side elevation thereof, the left side elevation being a mirror image of the right side elevation; and,
FIG. 4 is a top plan view thereof.

1 Claim, 4 Drawing Sheets



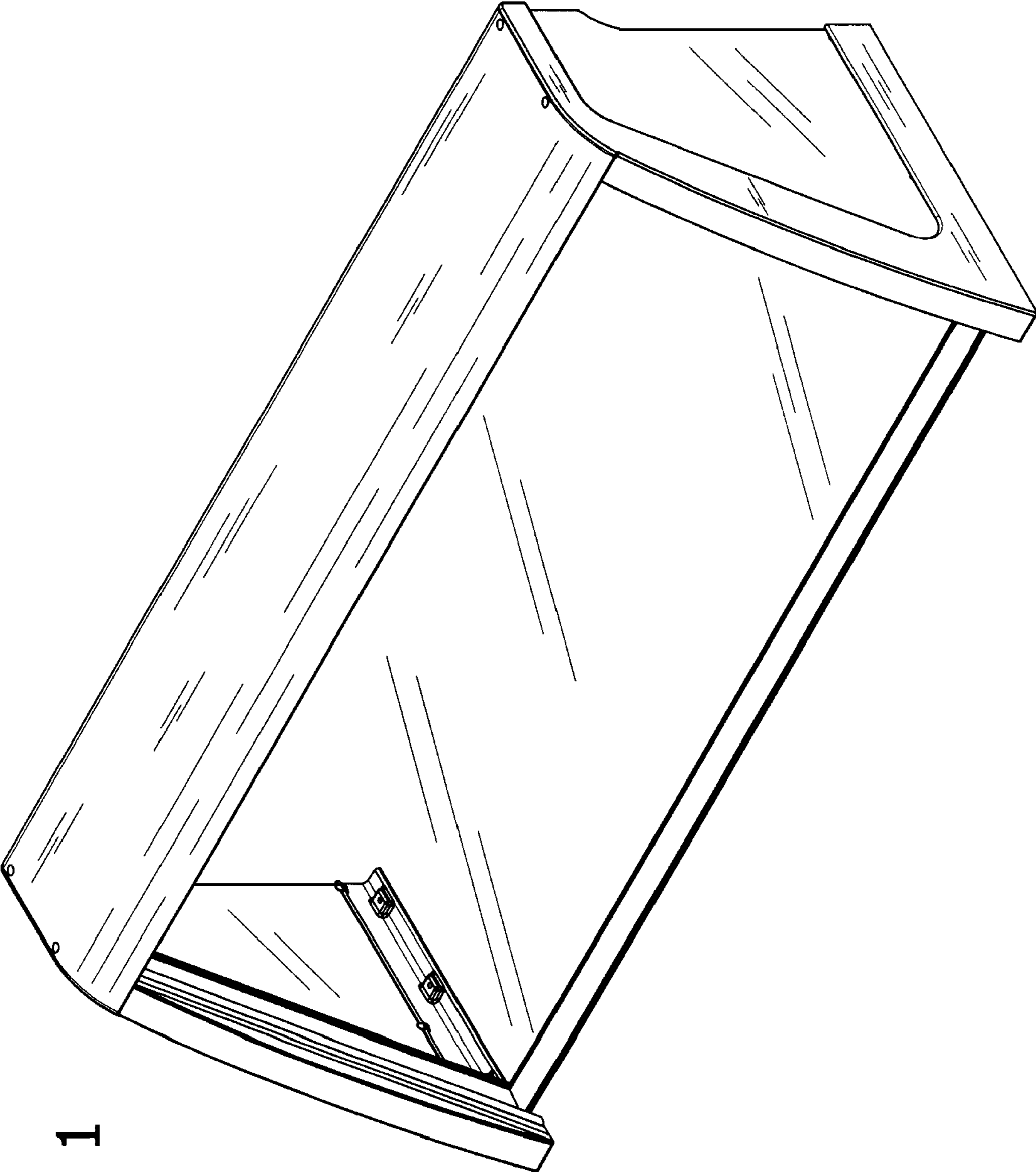


FIG. 1

FIG. 2

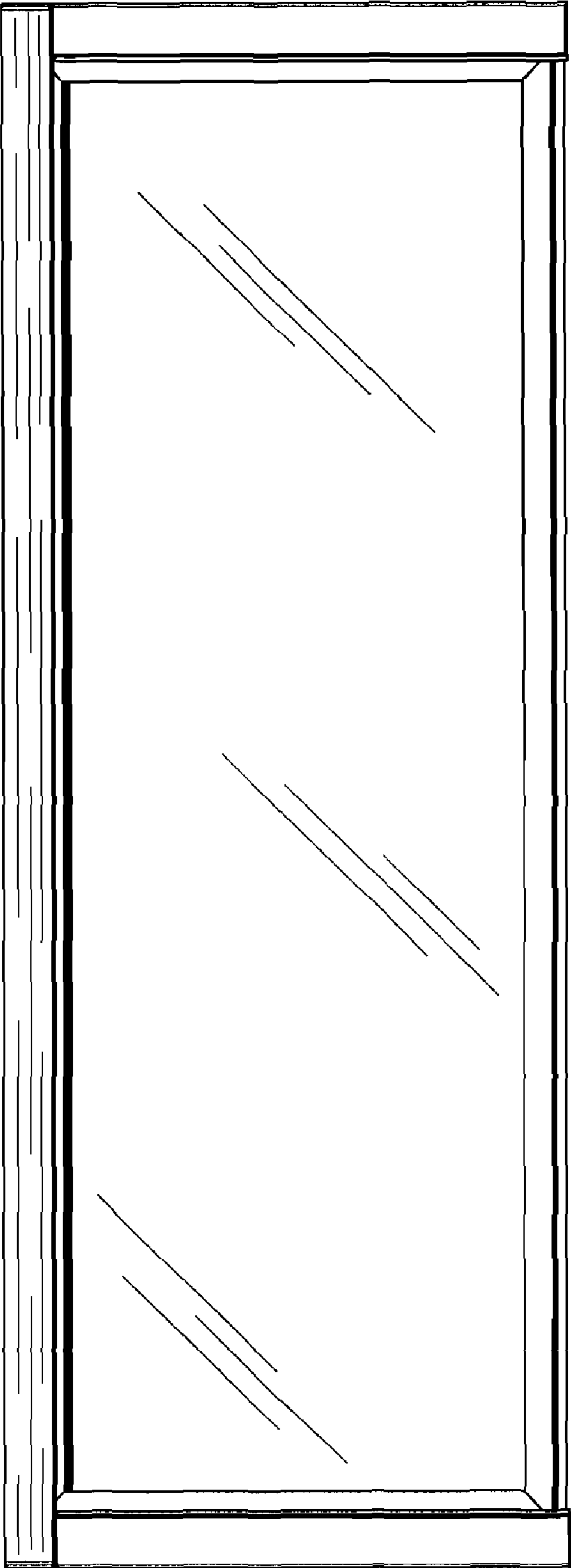


FIG. 3

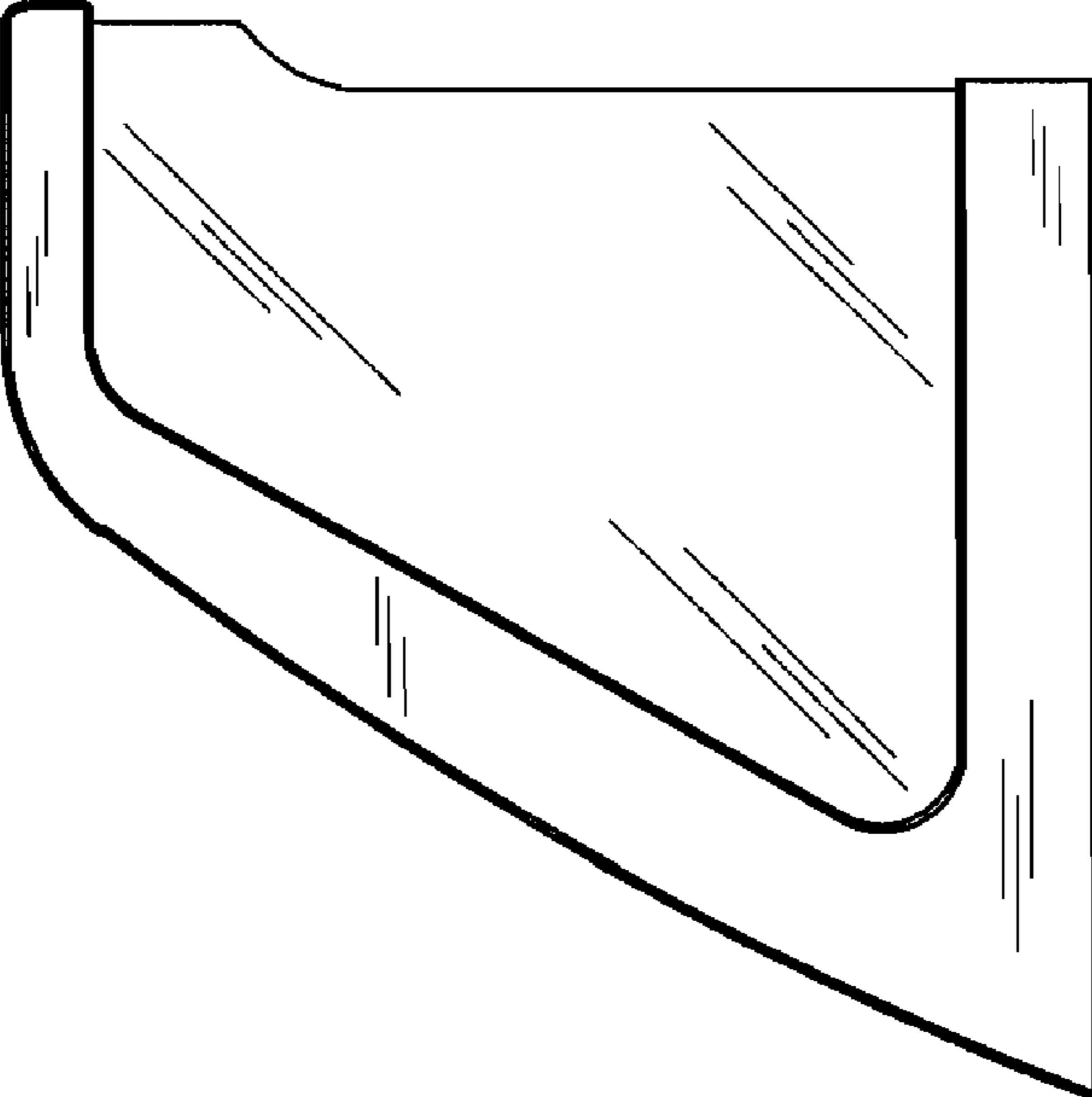


FIG. 4

