



US00D546594S

(12) **United States Design Patent** (10) **Patent No.:** **US D546,594 S**
Kane et al. (45) **Date of Patent:** **** Jul. 17, 2007**

(54) **SEATING UNIT**

D517,820 S * 3/2006 Citterio D6/366
D530,533 S * 10/2006 Mehaffey et al. D6/366

(75) Inventors: **Brian J. Kane**, San Francisco, CA (US); **Jody L. Hanson**, Wyoming, MI (US); **David C. Eberlein**, Hudsonville, MI (US); **Kirt D. Martin**, Alto, MI (US)

OTHER PUBLICATIONS

Exhibit A is a brochure disclosing several chairs including a side chair in prior art called the Jersey chair, made by Steelcase Development Corporation, the assignee of the present application. Exhibit B is a brochure disclosing several chairs including a side chair in prior art called the Think chair, made by Steelcase Development Corporation, the assignee of the present application. Exhibit C is a brochure disclosing several chairs including a side chair in prior art called the Leap chair, made by Steelcase Development Corporation, the assignee of the present application.

(73) Assignee: **Steelcase Development Corporation**, Caledonia, MI (US)

(**) Term: **14 Years**

* cited by examiner

(21) Appl. No.: **29/230,510**

Primary Examiner—Mimosa De

(22) Filed: **May 23, 2005**

(74) *Attorney, Agent, or Firm*—Price, Heneveld, Cooper, DeWitt & Litton LLP

(51) **LOC (8) Cl.** **06-06**

(52) **U.S. Cl.** **D6/500; D6/366**

(58) **Field of Classification Search** D6/334–336, D6/364, 365, 366, 367, 374, 375, 379, 498, D6/500–502; 297/411.27, 452.21, 452.24, 297/452.26, 452.29, 452.32, 452.48, 411.2, 297/411.28, 411.36; 248/188.7

(57) **CLAIM**

See application file for complete search history.

We claim the ornamental design for a seating unit, as shown and described.

(56) **References Cited**

DESCRIPTION

U.S. PATENT DOCUMENTS

D270,497 S *	9/1983	Ochsner	D6/366
D277,525 S *	2/1985	Buhk et al.	D6/366
D345,060 S *	3/1994	Duncan	D6/366
D390,369 S *	2/1998	Breen	D6/366
5,871,258 A	2/1999	Batthey et al.		
D413,027 S *	8/1999	Breen	D6/366
D414,951 S *	10/1999	Breen	D6/366
D420,224 S *	2/2000	Olson	D6/366
D446,033 S *	8/2001	Koepke et al.	D6/366
D477,469 S *	7/2003	Brooks	D6/366
D506,626 S *	6/2005	Chen	D6/500
D514,338 S *	2/2006	Bellin	D6/366

FIG. 1 is a perspective view of a seating unit embodying the present invention;

FIG. 2 is a front view of FIG. 1;

FIG. 3 is a right side view of FIG. 1, the left side being a mirror image thereof;

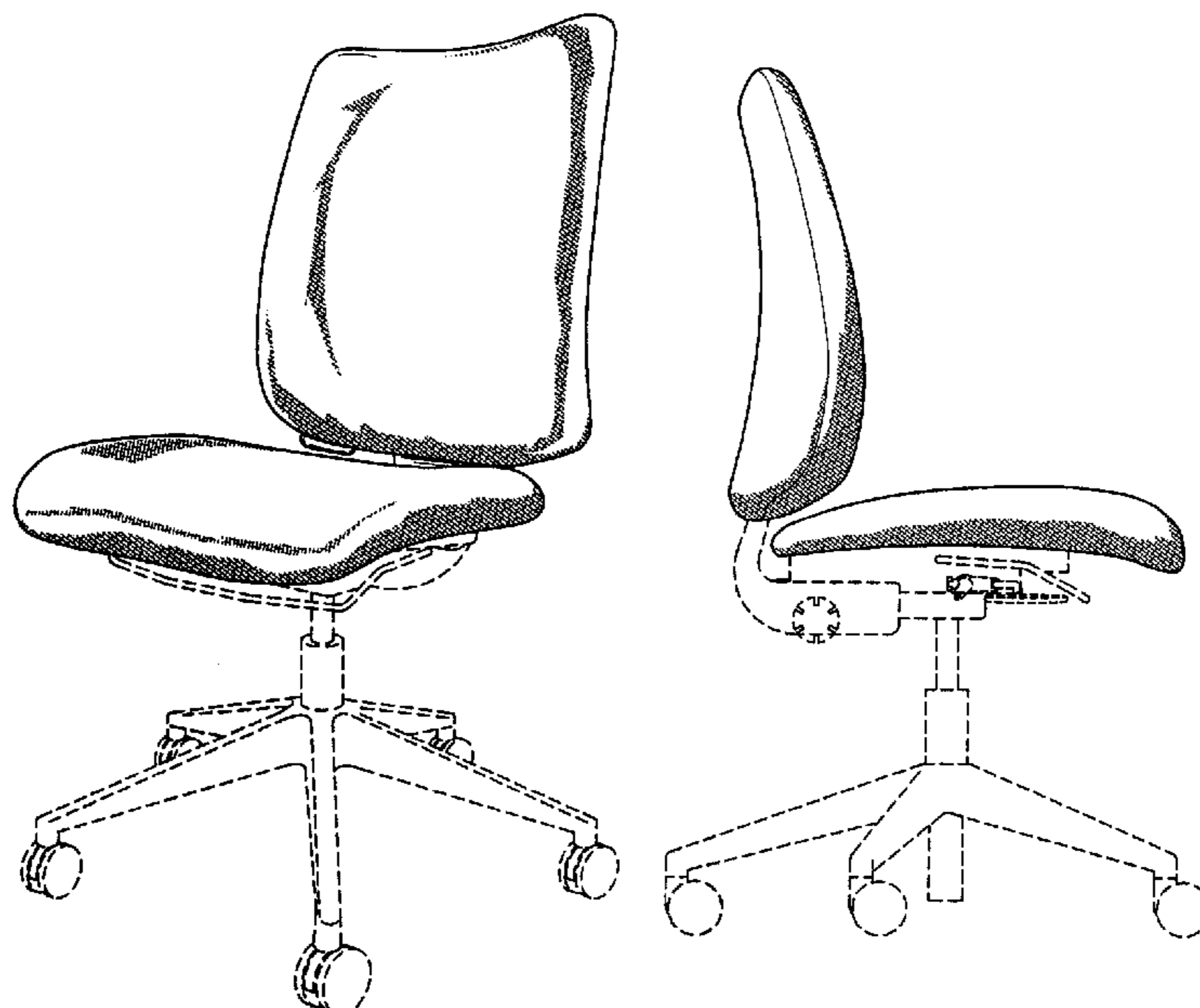
FIG. 4 is a rear view of FIG. 1;

FIG. 5 is a top view of FIG. 1; and,

FIG. 6 is a bottom view thereof.

The dashed lines in all Figs. are for illustrative purposes to show the environment, and form no part of the claimed design.

1 Claim, 3 Drawing Sheets



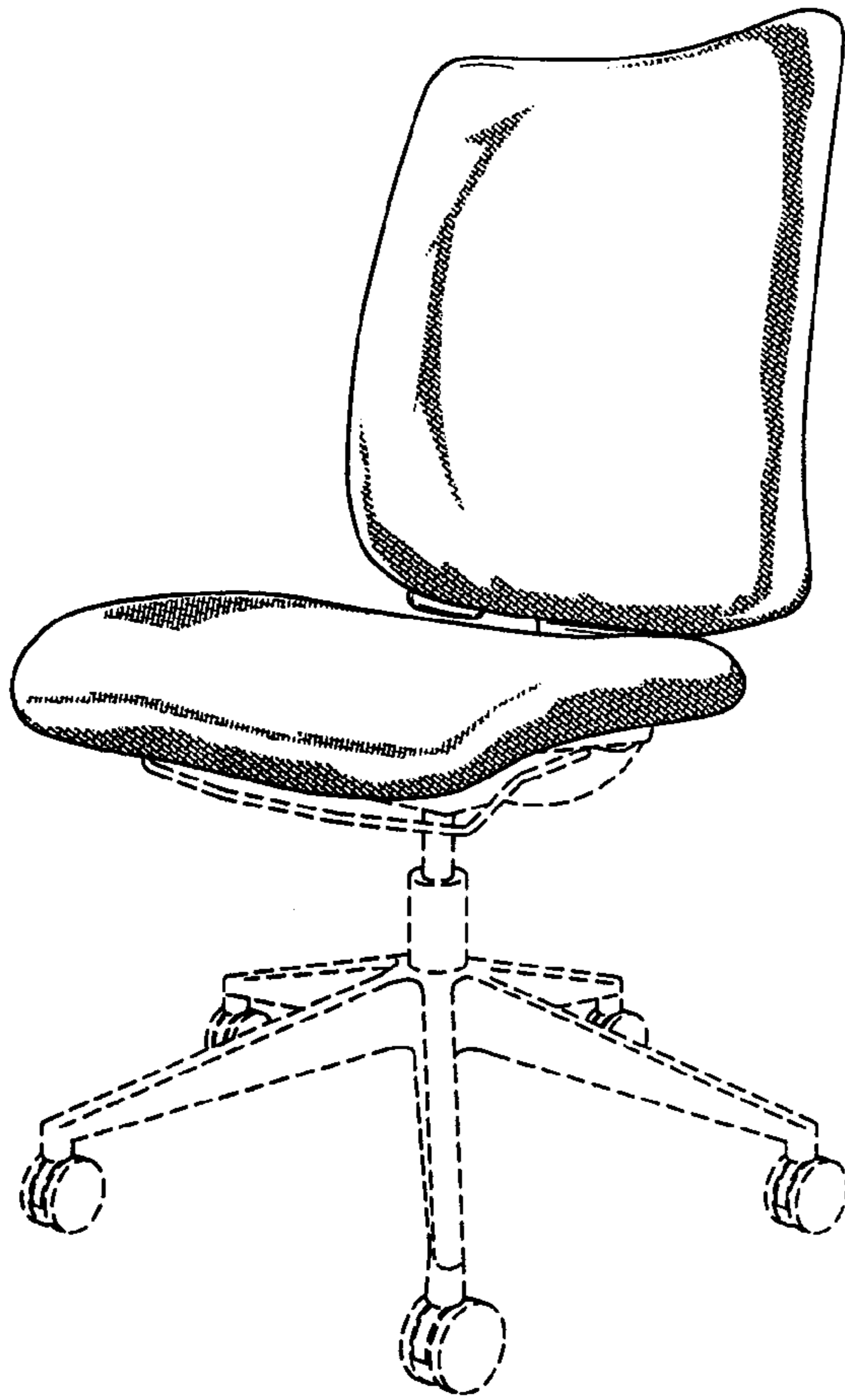


FIG. 1

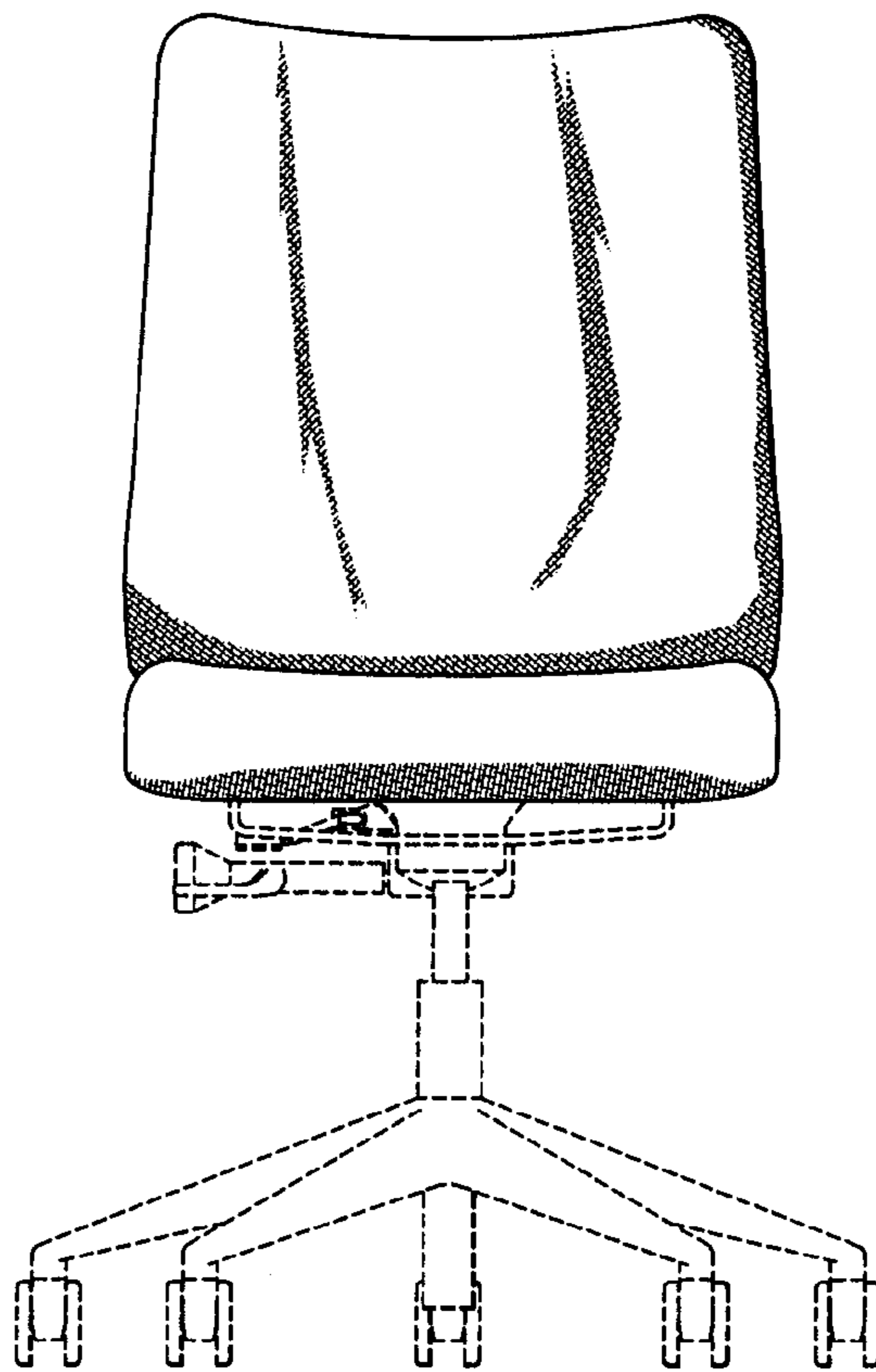


FIG. 2

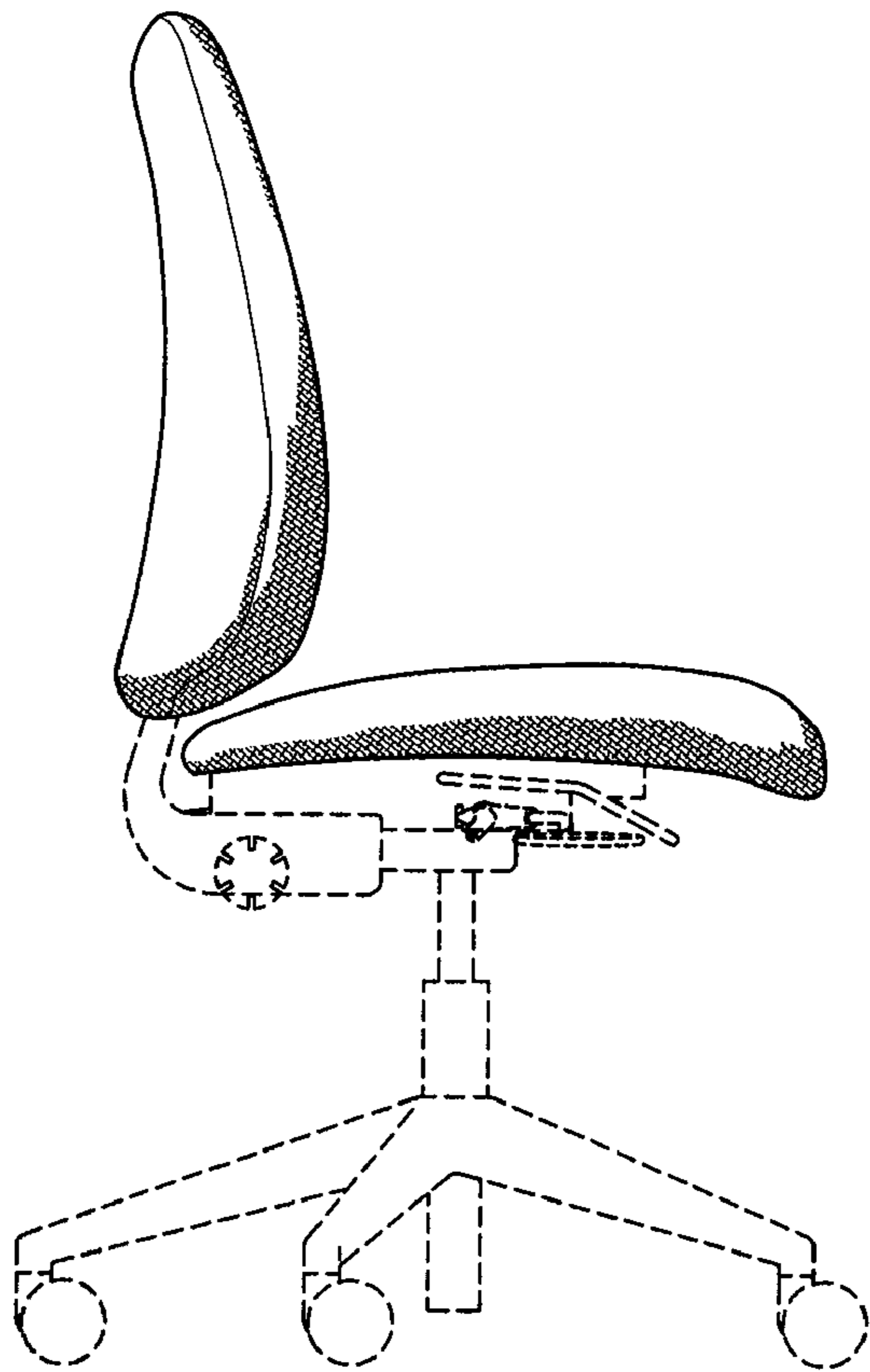


FIG. 3

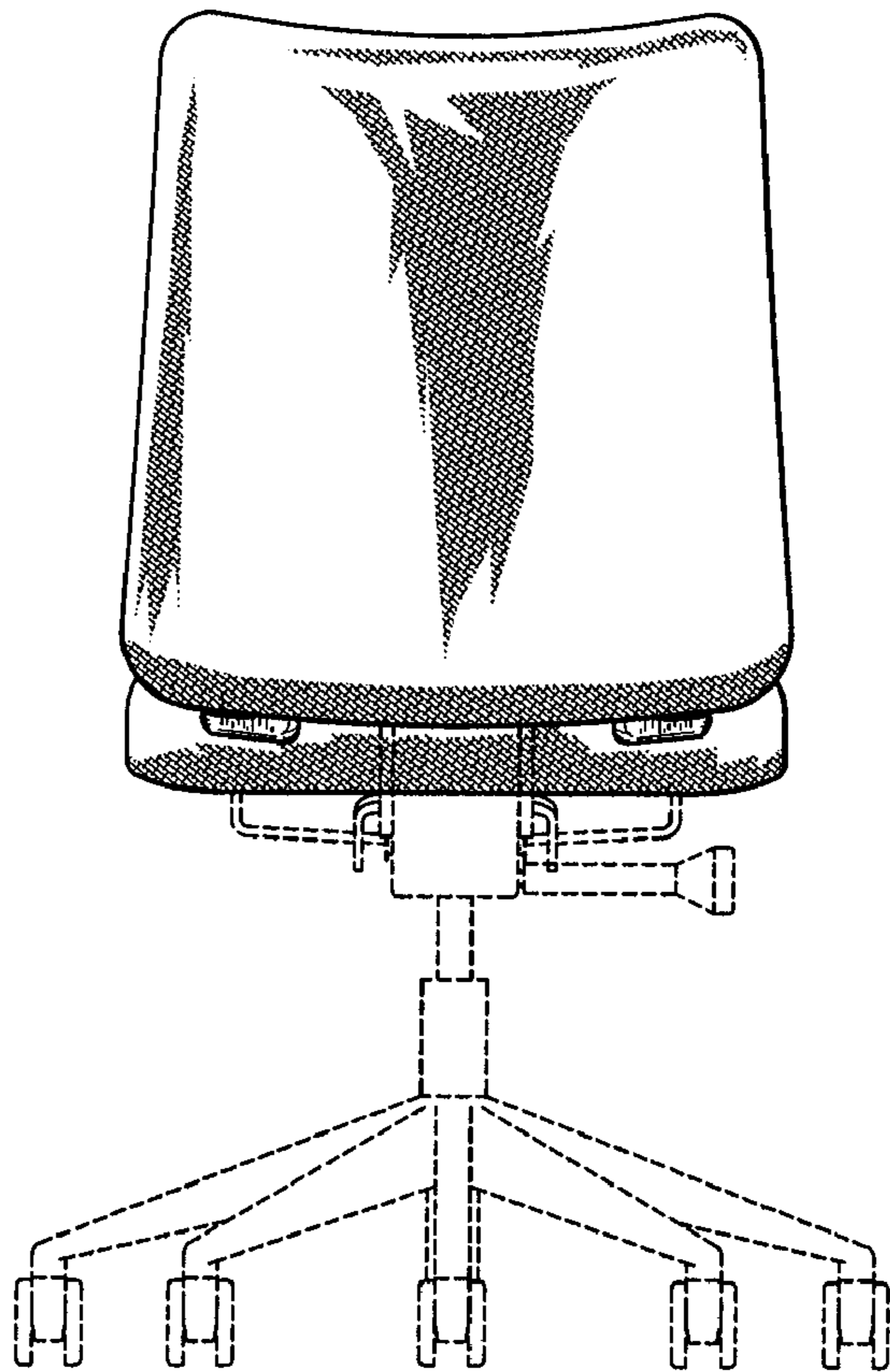


FIG. 4

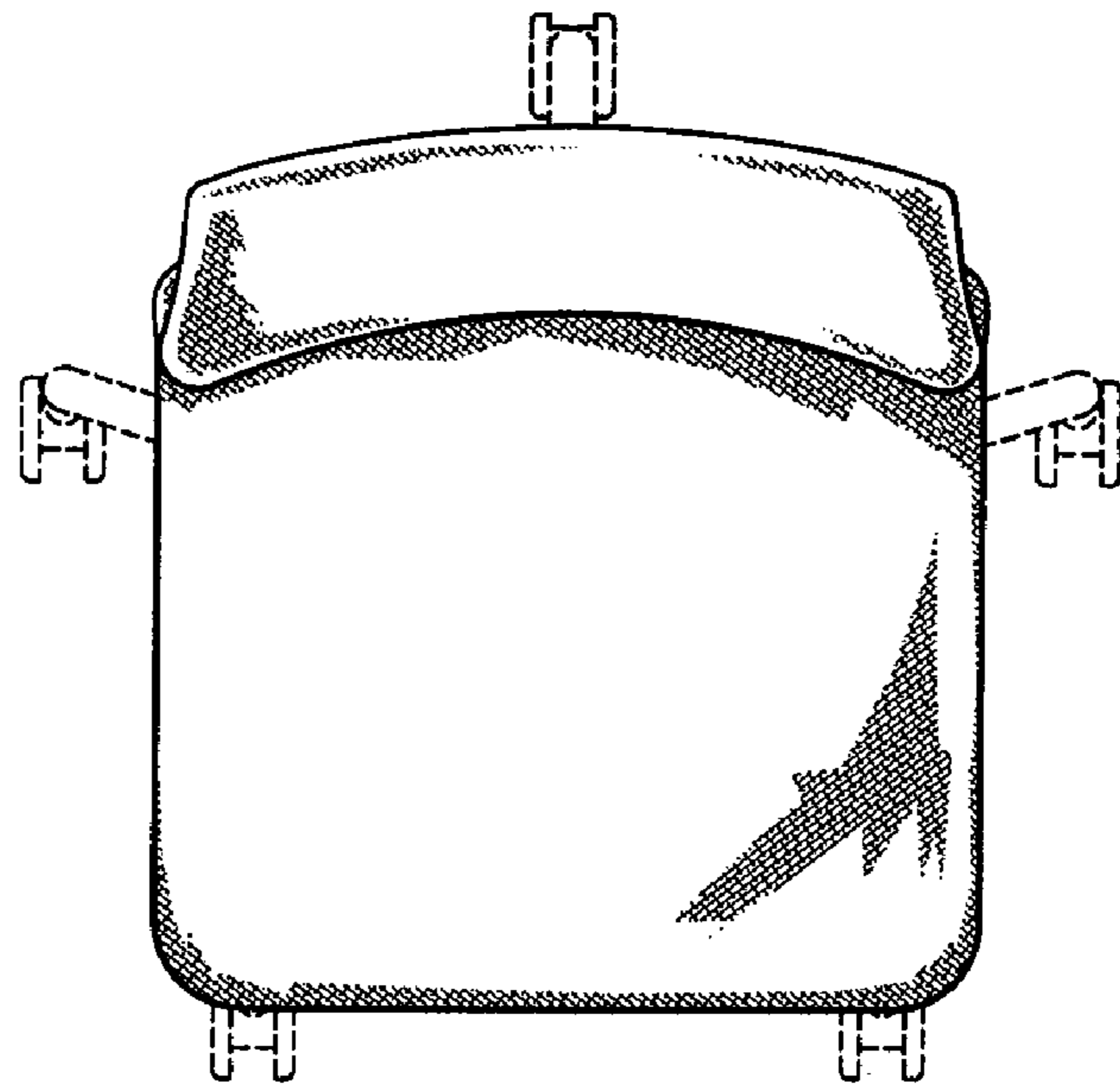


FIG. 5

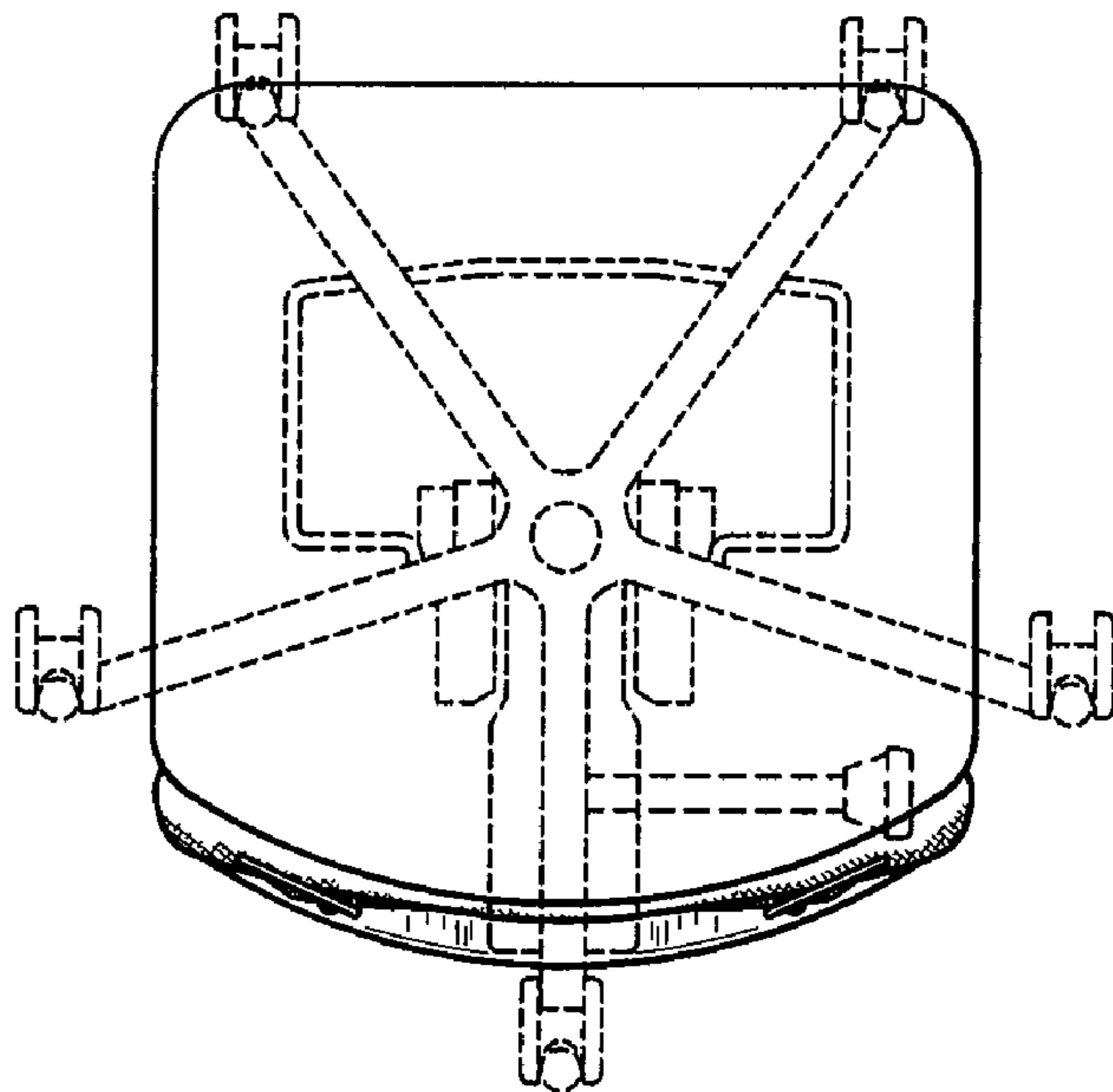


FIG. 6