

US00D546593S

(12) **United States Design Patent** (10) **Patent No.:** **US D546,593 S**
Bergin (45) **Date of Patent:** **** Jul. 17, 2007**

(54) **ACCESSORY HOLDER FOR A CHAIR BACK**

(75) Inventor: **Peter W. A. Bergin**, Rancho Mirage, CA (US)

(73) Assignee: **Caddy Products, Inc.**, Thousand Palms, CA (US)

(**) Term: **14 Years**

(21) Appl. No.: **29/224,534**

(22) Filed: **Mar. 2, 2005**

Related U.S. Application Data

(63) Continuation-in-part of application No. 29/202,095, filed on Mar. 25, 2004, now Pat. No. Des. 505,032.

(51) **LOC (8) Cl.** **06-01**

(52) **U.S. Cl.** **D6/500**

(58) **Field of Classification Search** D6/334, D6/370, 374, 379-381, 500-502; 297/445.1, 297/446.1; 5/12.1

See application file for complete search history.

(56) **References Cited**

U.S. PATENT DOCUMENTS

345,710 A	7/1886	Mason	297/188.04
553,359 A	1/1896	Pickett	211/119.007
951,134 A	3/1910	Knape		
D110,953 S *	8/1938	Bargen	D6/475
2,375,696 A *	5/1945	Shick	297/423.19
2,841,210 A *	7/1958	Nesselrodt	297/188.06
2,841,211 A	7/1958	Thompson	297/188.06
3,125,372 A	3/1964	Rose	297/188.2
3,254,931 A	6/1966	Jacobi	312/235
4,589,124 A *	5/1986	Ruiz	378/178
4,767,131 A	8/1988	Springer et al.	280/289 WC
4,807,929 A	2/1989	Balsbaugh	297/188.04
D333,580 S	3/1993	Brummett	D6/491
D344,180 S *	2/1994	Garcia	D12/416
D355,555 S *	2/1995	Ryan	D6/569
5,421,637 A	6/1995	Lemburg	297/188.01

5,421,638 A	6/1995	Ayotte et al.	297/188.04
5,628,103 A	5/1997	Ayotte et al.	29/525.01
5,641,197 A *	6/1997	Springmann	297/188.11
D383,302 S *	9/1997	Broussard	D3/201
5,709,429 A	1/1998	Bergin	297/188.04
5,713,628 A	2/1998	Lucatuorto	297/188.06
D411,354 S *	6/1999	Wilson	D3/328
6,260,811 B1	7/2001	O'Neil	248/311.2
6,457,772 B1	10/2002	Forston	297/188.14
6,471,290 B1	10/2002	Moody et al.	297/188.2
6,607,241 B2	8/2003	Johnston	297/188.06
D505,032 S *	5/2005	Bergin	D6/491

OTHER PUBLICATIONS

S & H Enterprises, LLC., *Wood Book Rack Communion Cup & Card Holder*, 2002.

* cited by examiner

Primary Examiner—Sandra Snapp

(74) *Attorney, Agent, or Firm*—Westman, Champlin & Kelly, P.A.

(57) **CLAIM**

The ornamental design for an accessory holder for a chair back, as shown and described.

DESCRIPTION

FIG. 1 is a front perspective view of an accessory holder for a chair back embodying my new design;

FIG. 2 is a top plan view thereof;

FIG. 3 is a front view thereof;

FIG. 4 is an end elevational view thereof taken from a first end;

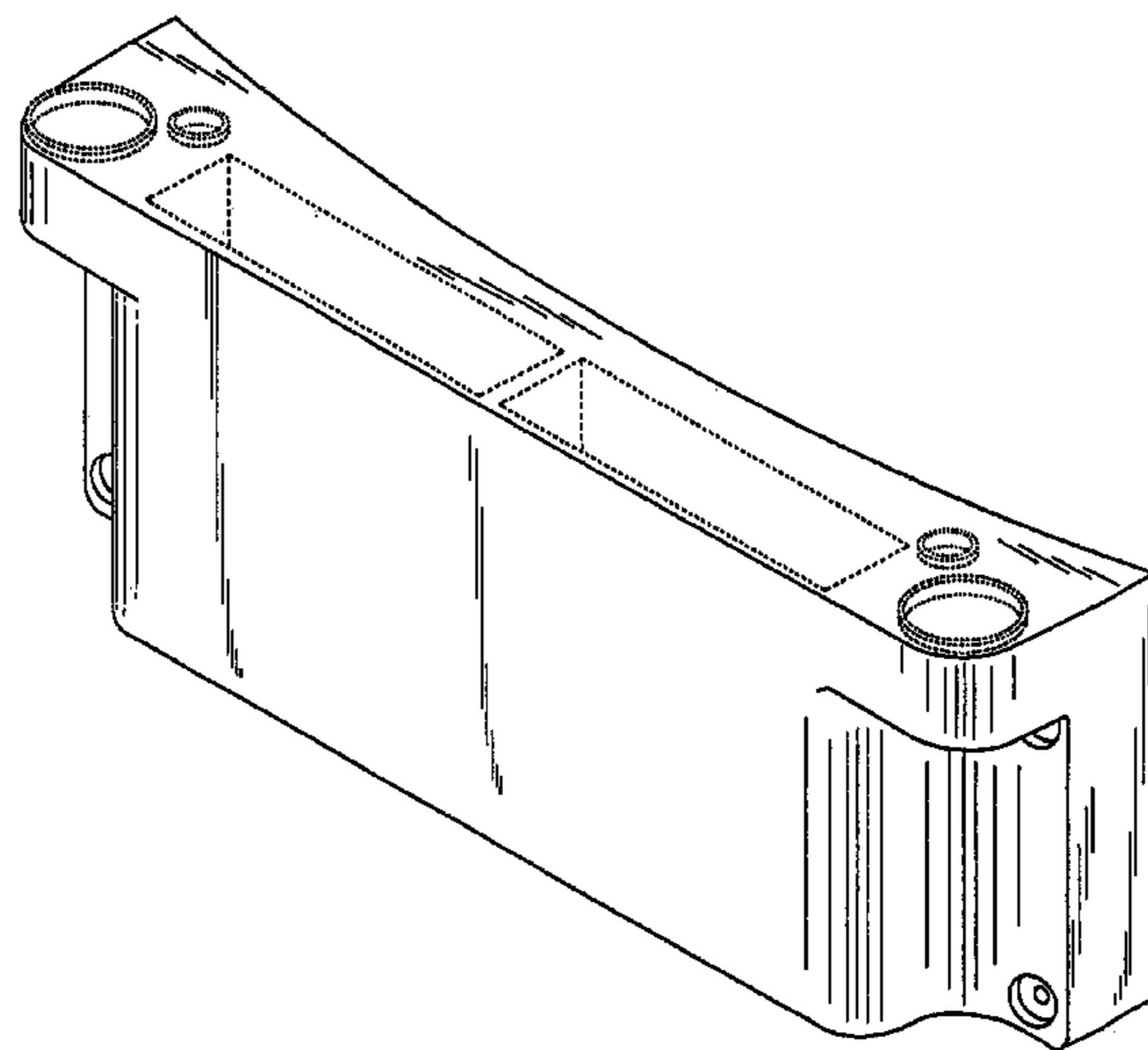
FIG. 5 is an end view thereof from an end opposite FIG. 4;

FIG. 6 is a rear view thereof; and,

FIG. 7 is a bottom view thereof.

The broken lines shown in the drawings are for illustrative purposes only and form no part of the claimed design.

1 Claim, 6 Drawing Sheets



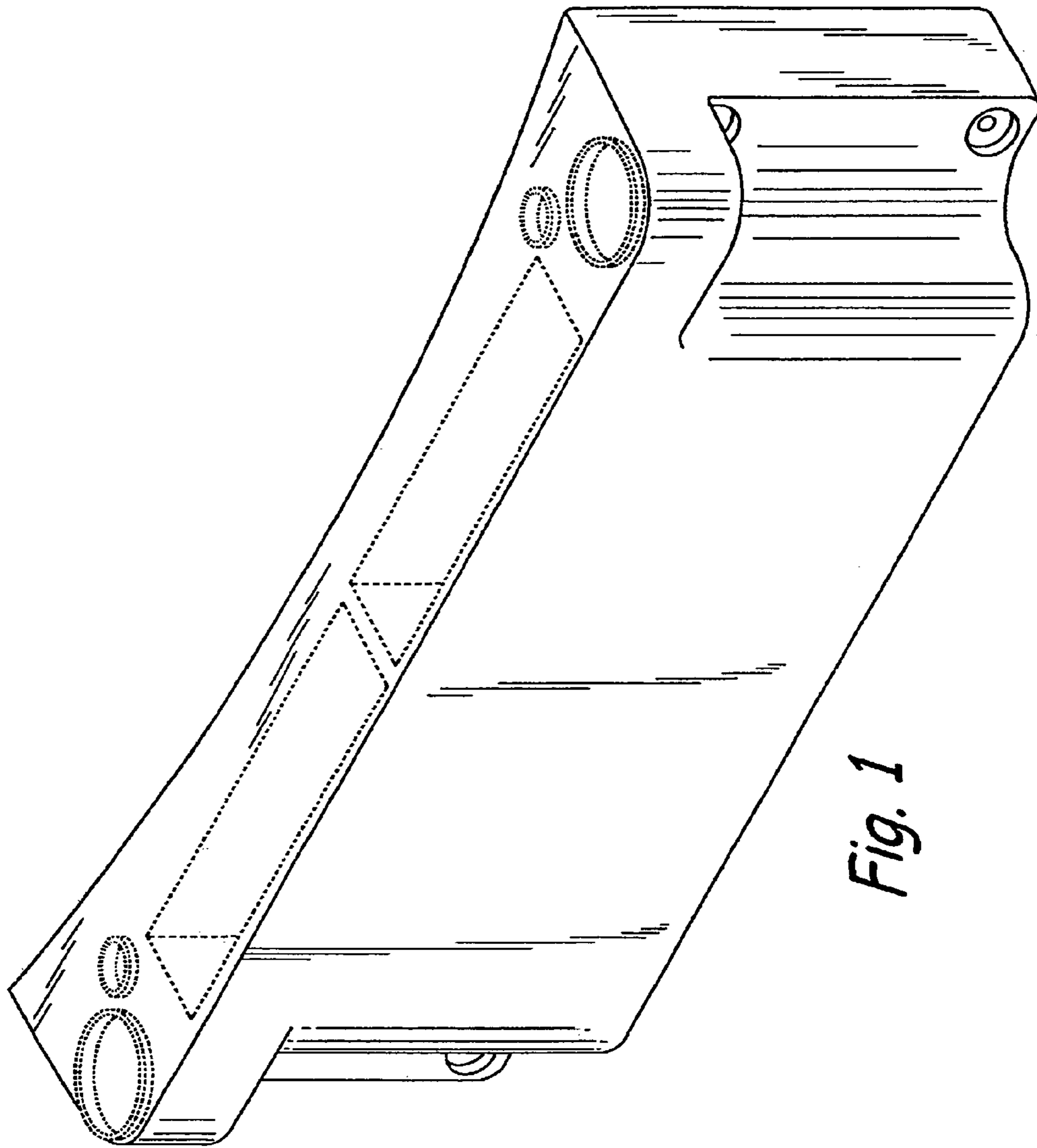


Fig. 1

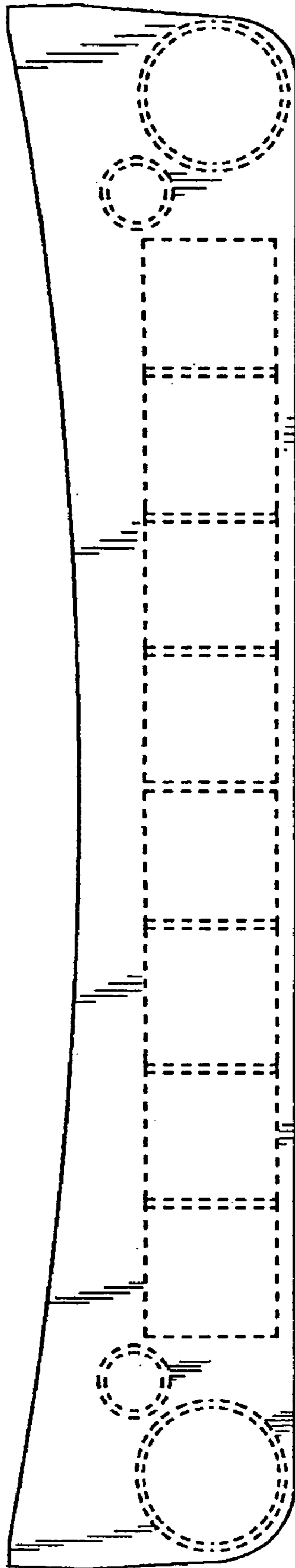


Fig. 2

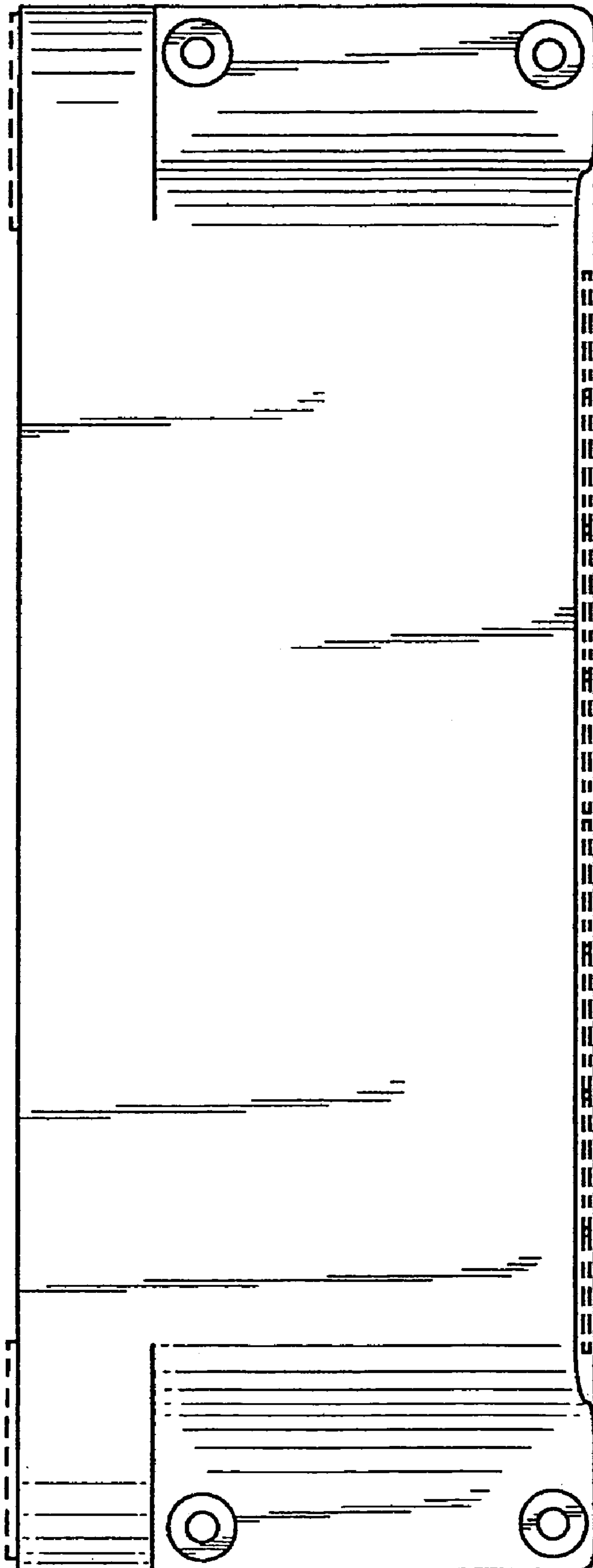


Fig. 3

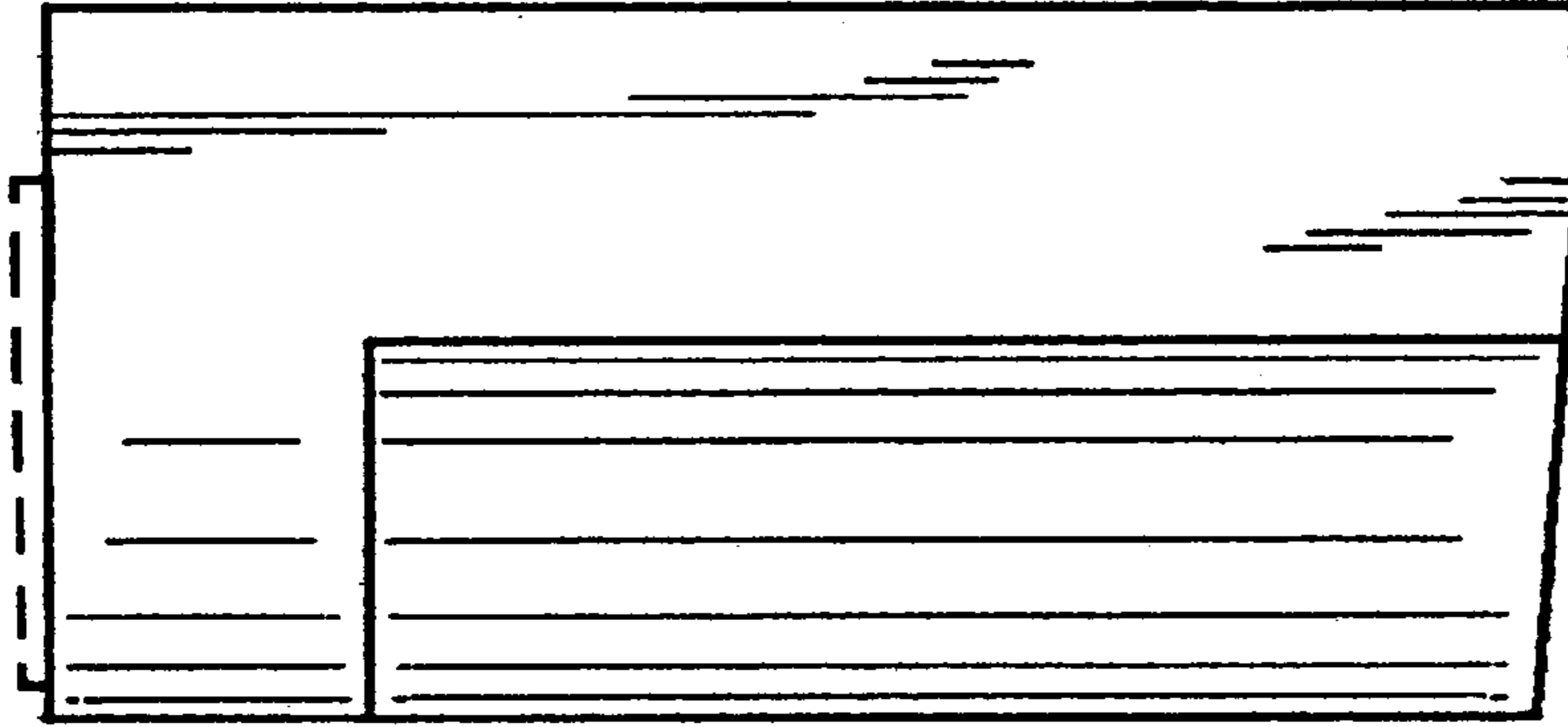


Fig. 5

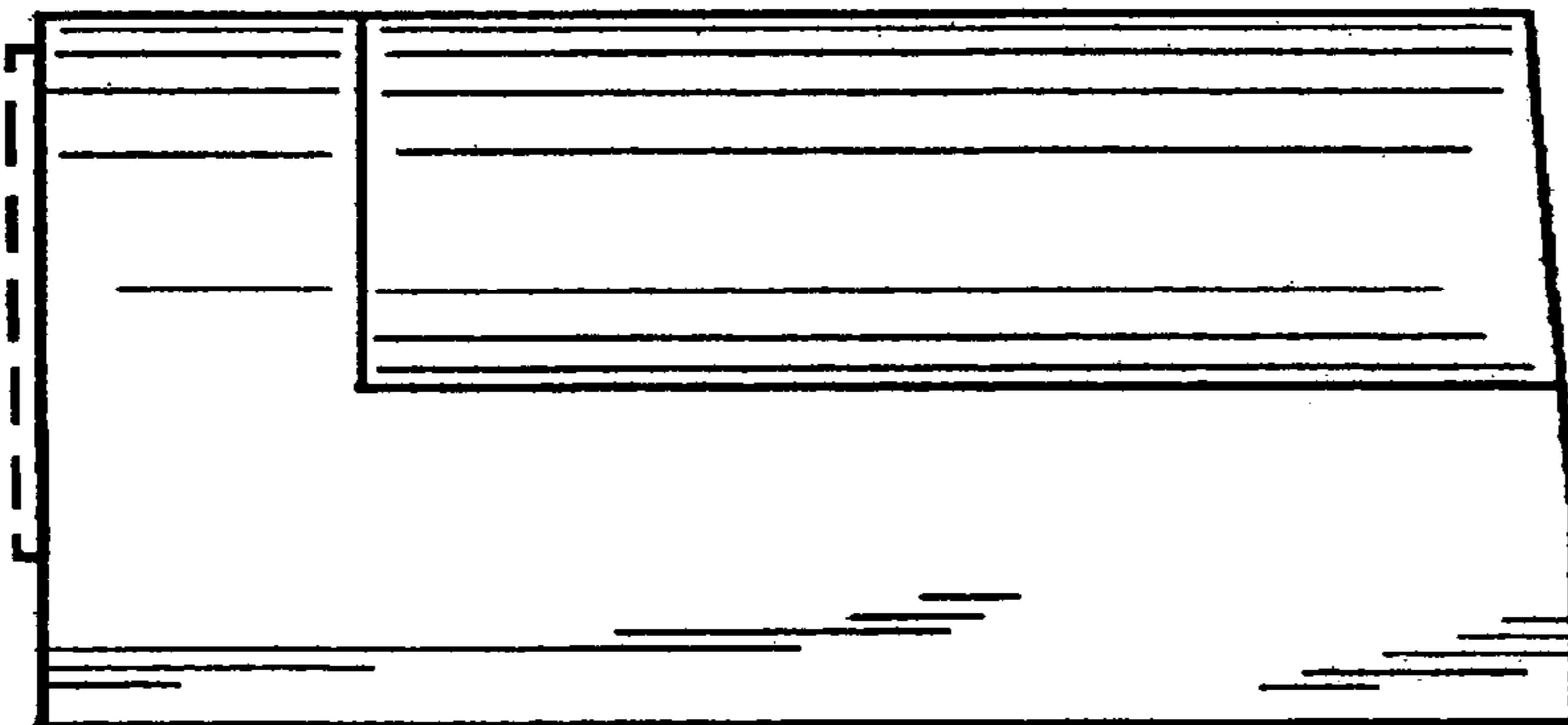


Fig. 4

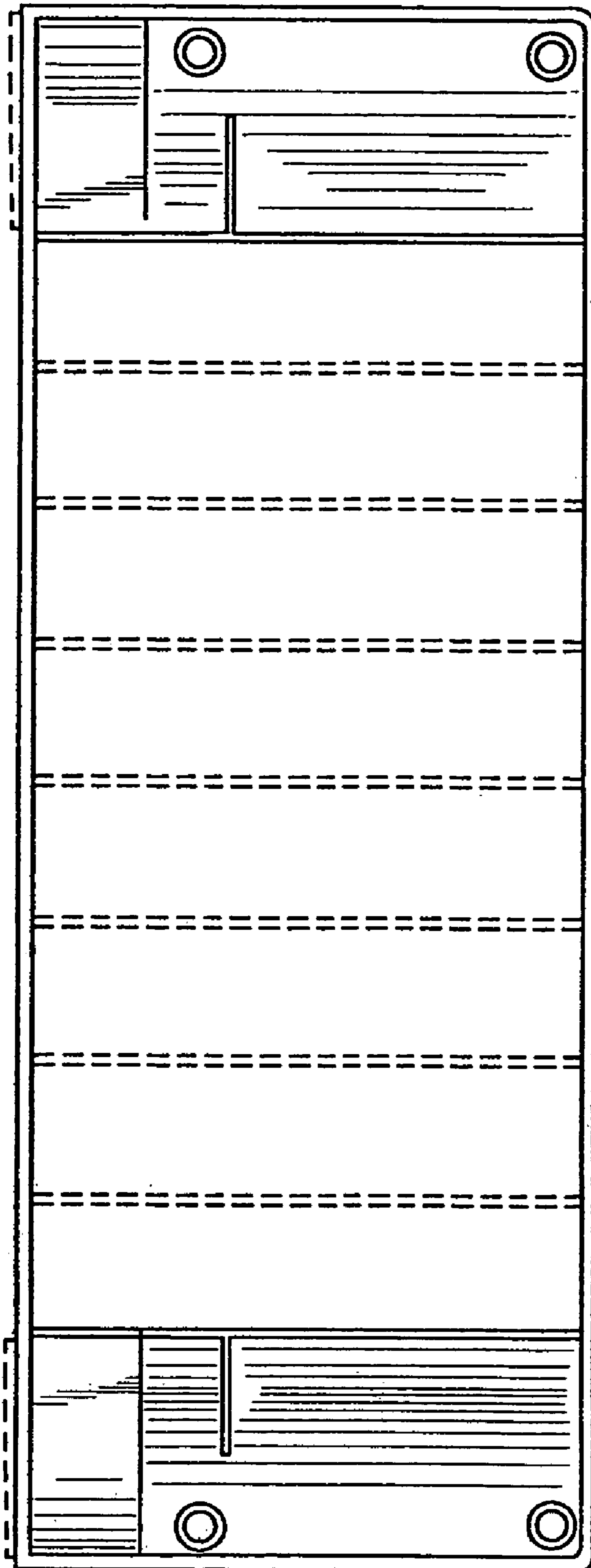


Fig. 6

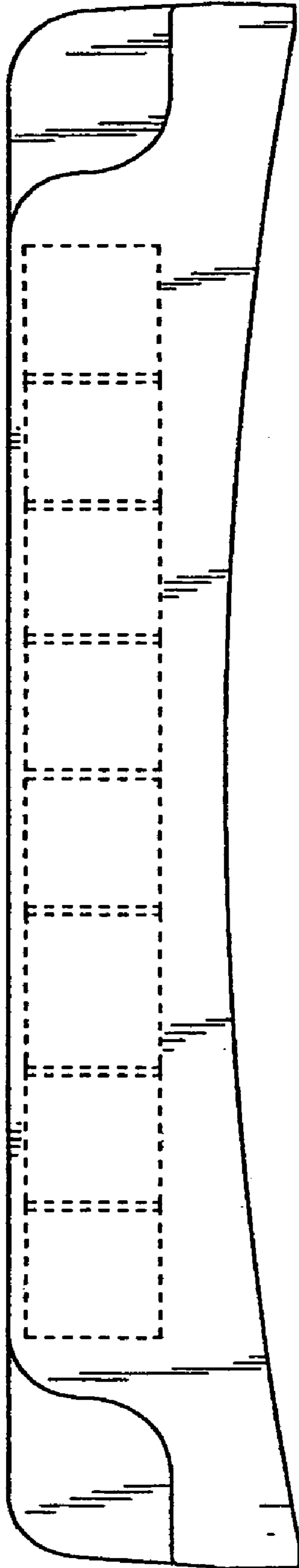


Fig. 7