

US00D546588S

(12) **United States Design Patent**
Massaud

(10) **Patent No.:** **US D546,588 S**

(45) **Date of Patent:** **** Jul. 17, 2007**

(54) **TABLE**

2,828,805 A * 4/1958 Meldrum 108/119
5,509,360 A * 4/1996 Chiu 108/119
5,542,359 A * 8/1996 Polries 108/26

(75) **Inventor:** **Jean-Marie Massaud**, Paris (FR)

(73) **Assignee:** **Poltrona Frau S.p.A.**, Turin (IT)

* cited by examiner

(**) **Term:** **14 Years**

Primary Examiner—Janice E. Seeger

(74) *Attorney, Agent, or Firm*—Nixon & Vanderhye P.C.

(21) **Appl. No.:** **29/240,159**

(22) **Filed:** **Oct. 11, 2005**

(57) **CLAIM**

The ornamental design for a “table,” as shown and described.

(30) **Foreign Application Priority Data**

Apr. 11, 2005 (IT) TO2005O0031

DESCRIPTION

(51) **LOC (8) Cl.** **06-03**

FIG. 1 is a top, front and right side perspective view of a table;

(52) **U.S. Cl.** **D6/480**

(58) **Field of Classification Search** D6/480–489,
D6/495–499, 511, 429–431; 108/150, 153.1,
108/155, 156, 161, 131, 115, 118, 119; 248/188,
248/188.1, 188.8, 164

FIG. 2 is a right side elevational view of a table;

FIG. 3 is a left side elevational view of a table;

FIG. 4 is a front elevational view of a table;

FIG. 5 is a rear elevational view of a table;

FIG. 6 is a bottom plan view of a table; and,

FIG. 7 is a top plan view of a table.

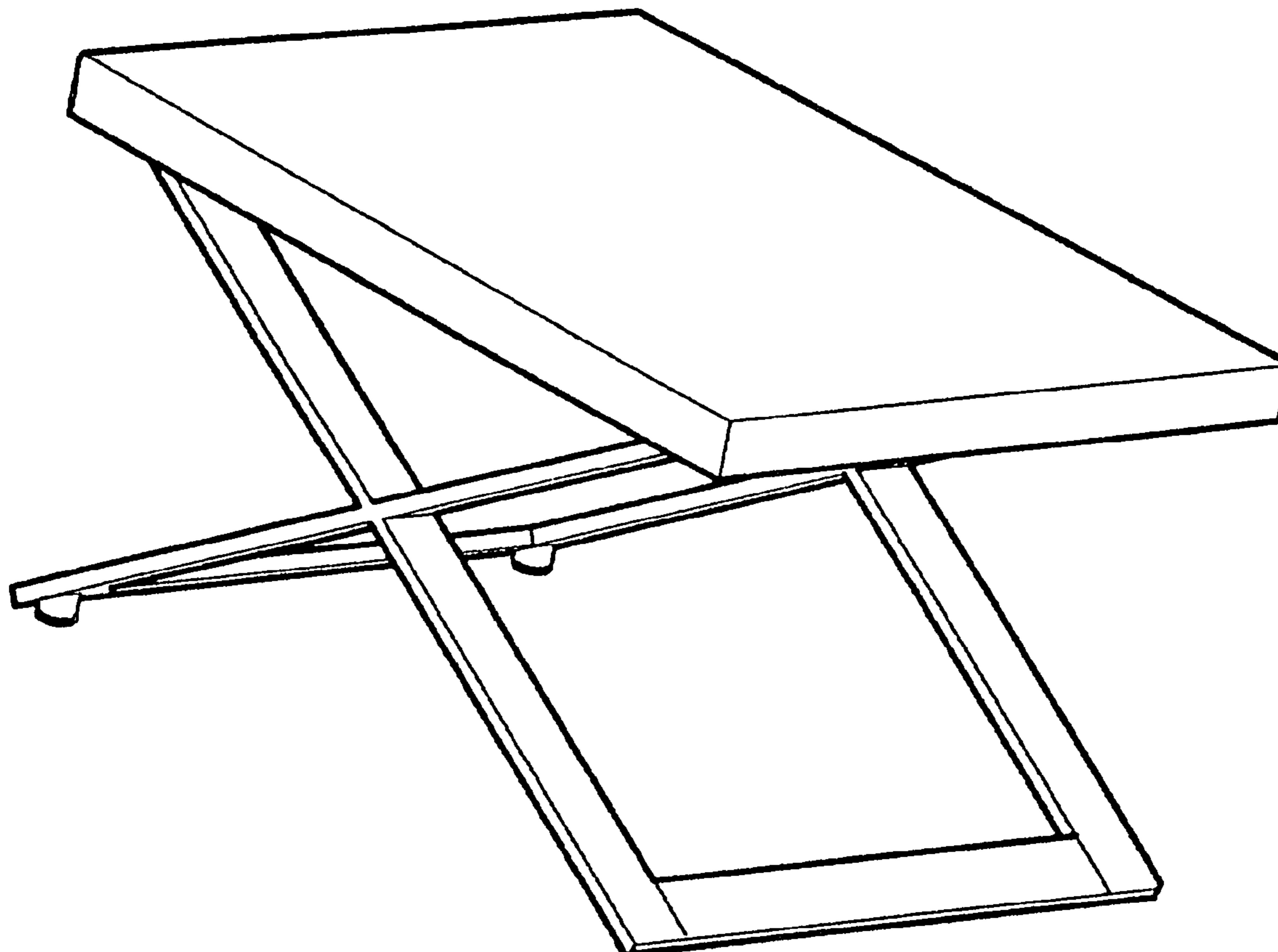
See application file for complete search history.

(56) **References Cited**

U.S. PATENT DOCUMENTS

D162,045 S * 2/1951 Lee D6/480

1 Claim, 4 Drawing Sheets



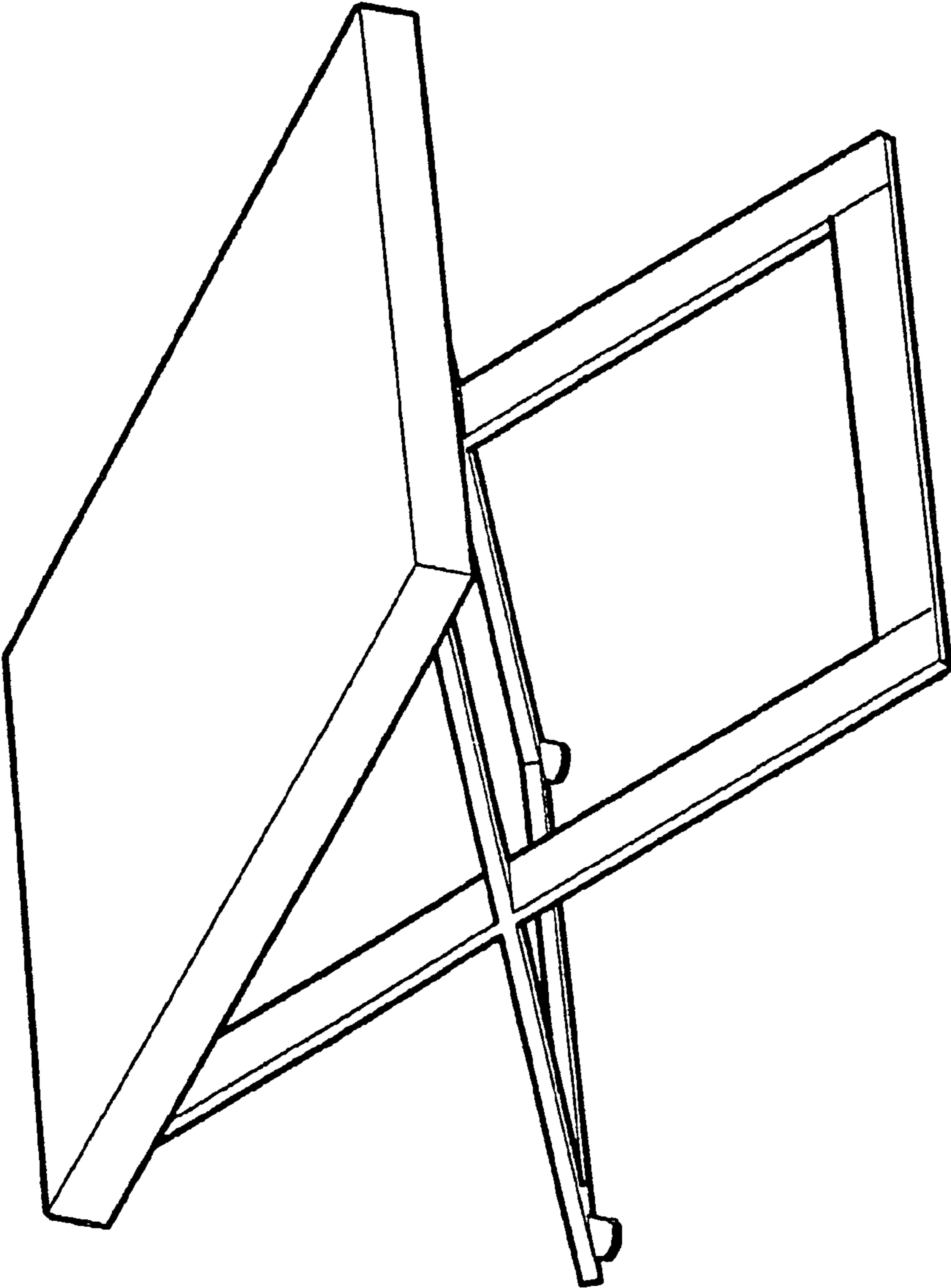


FIG. 1

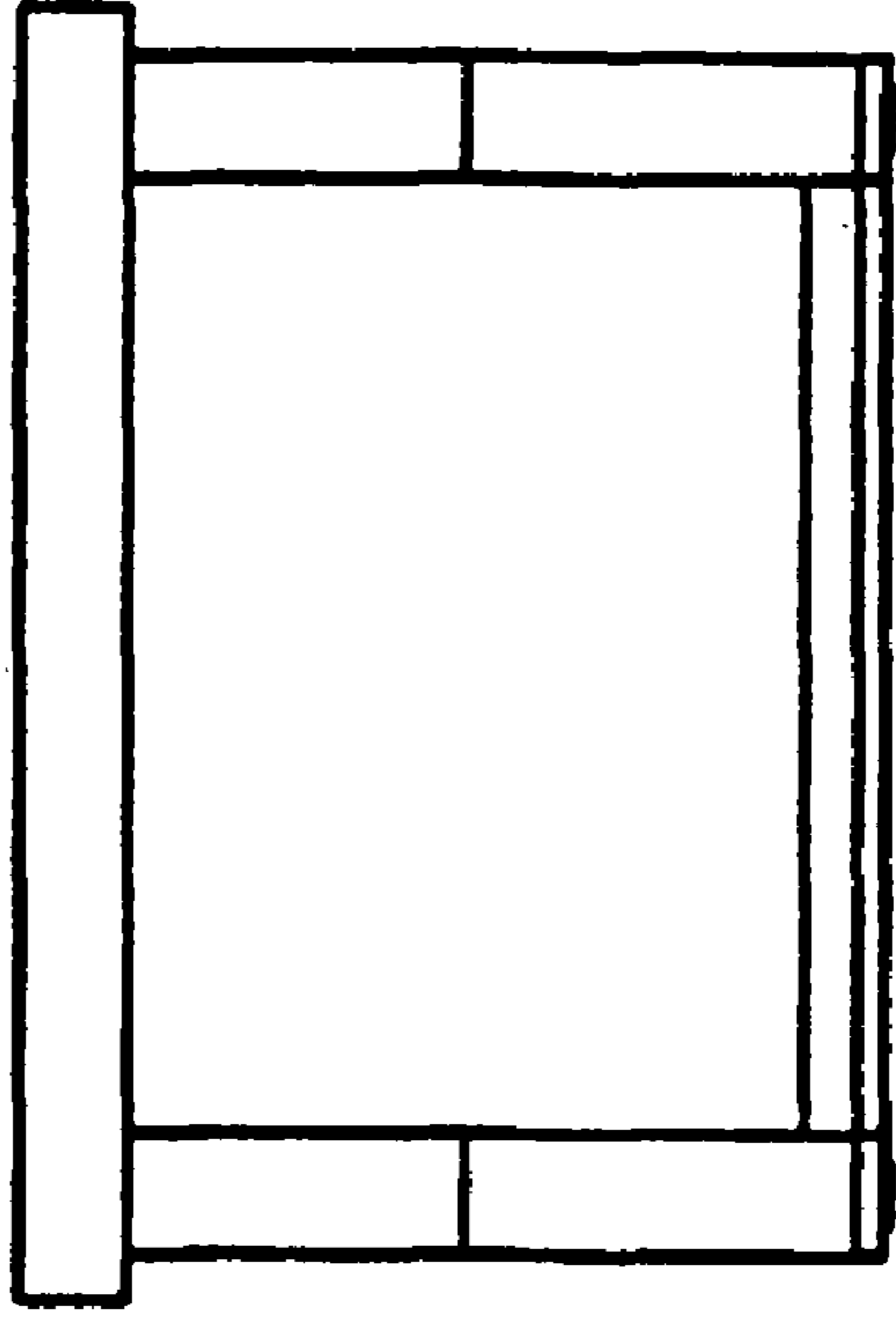


FIG. 3

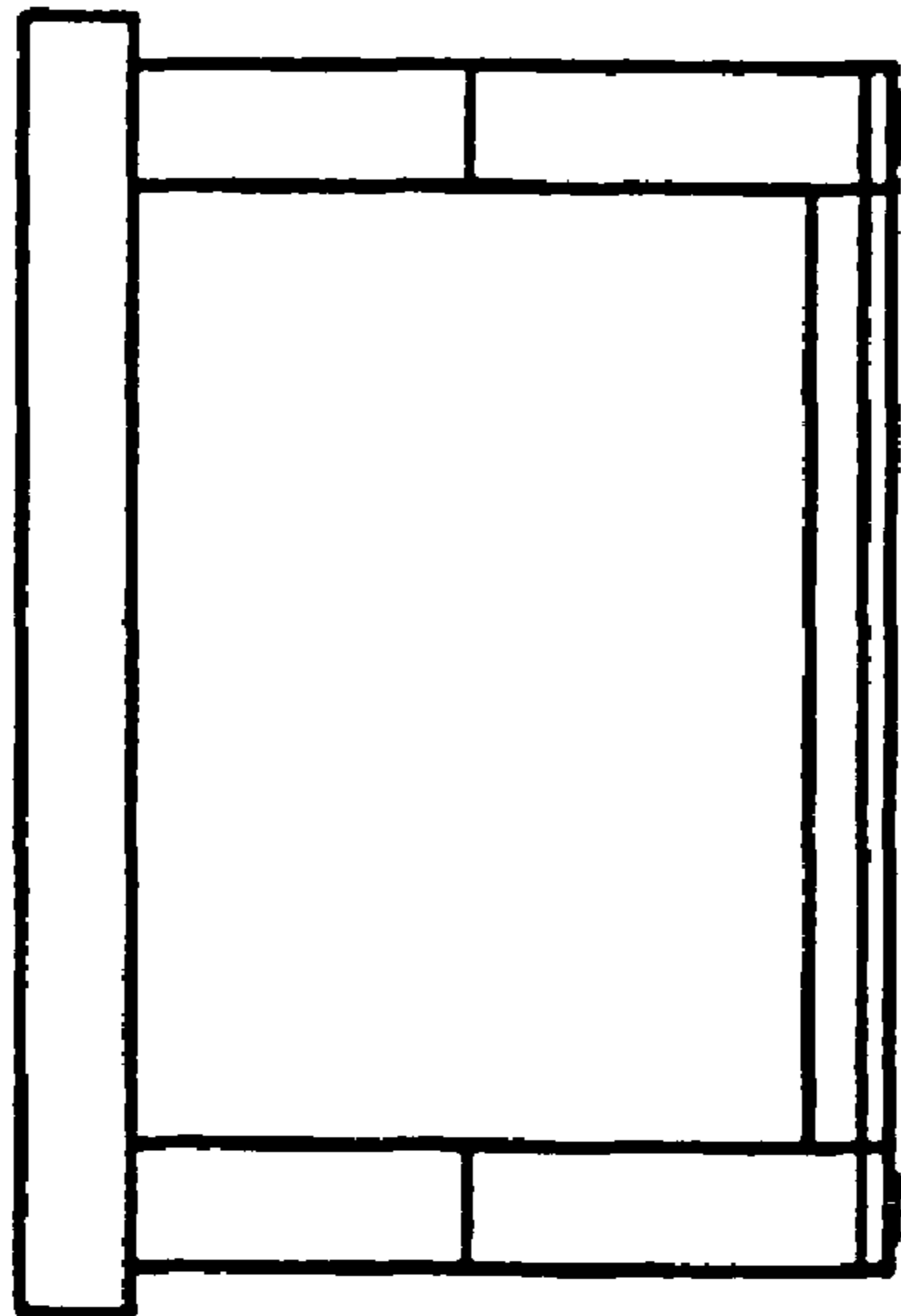


FIG. 2

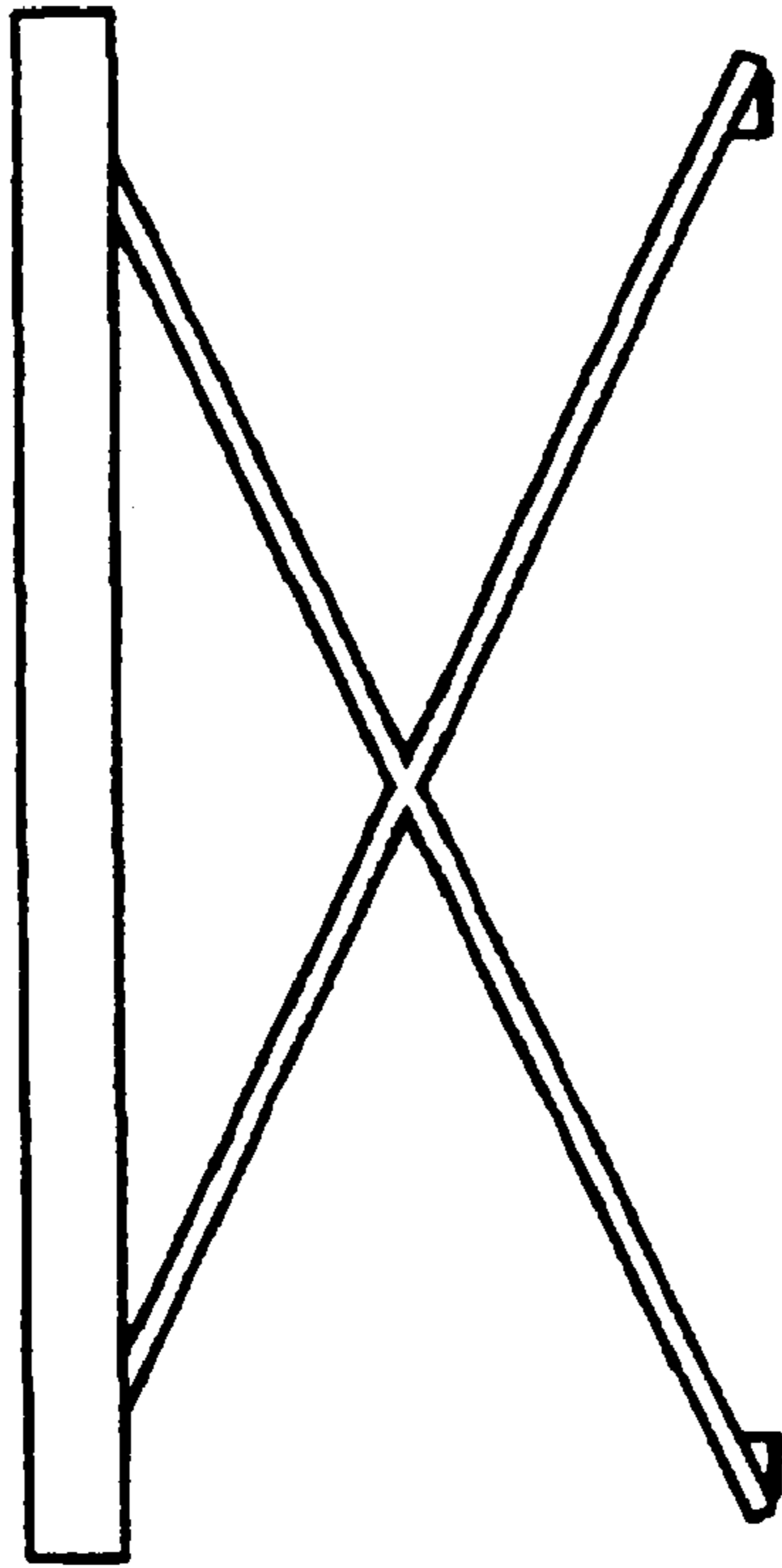


Fig.5

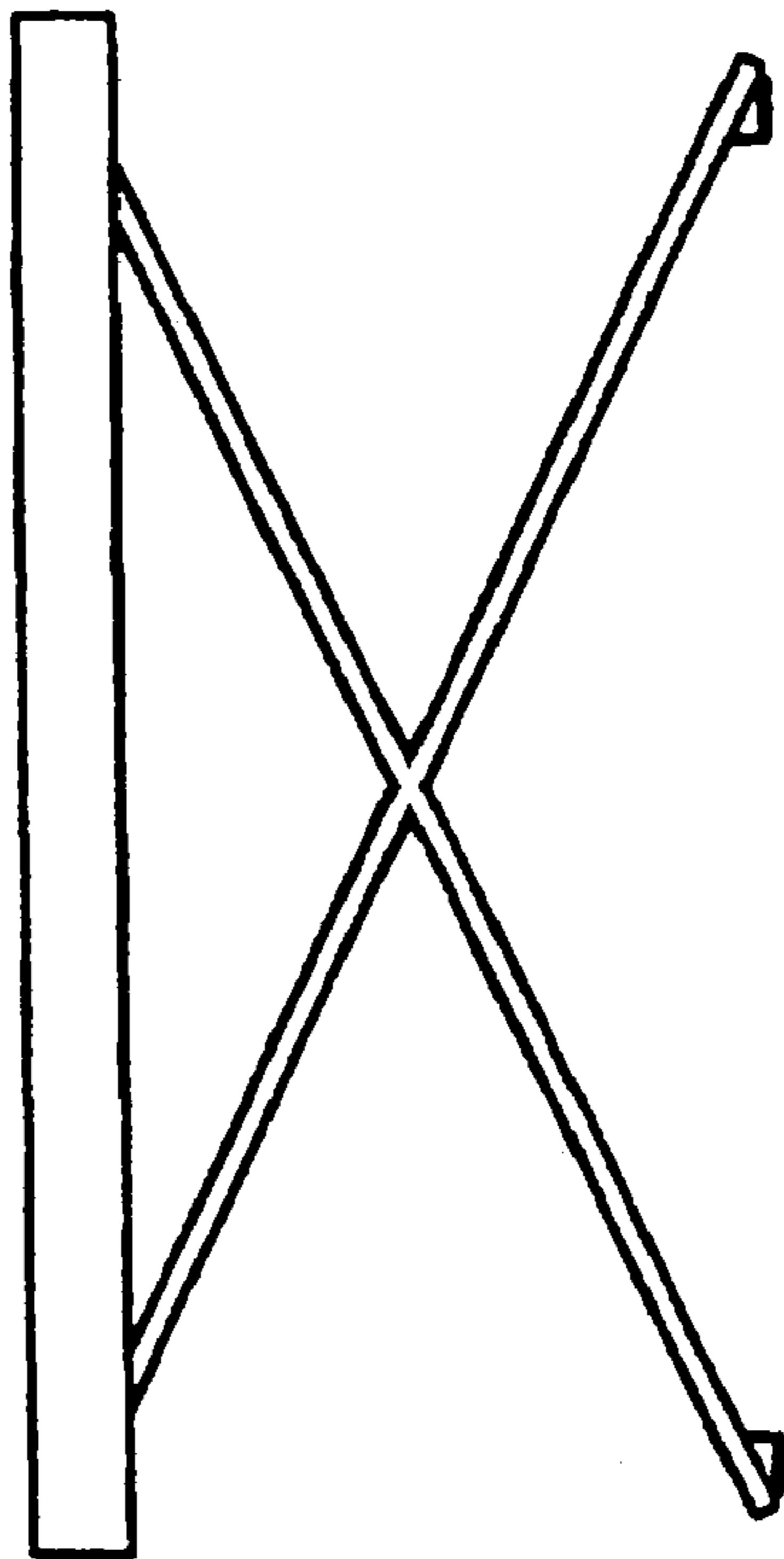


Fig.4

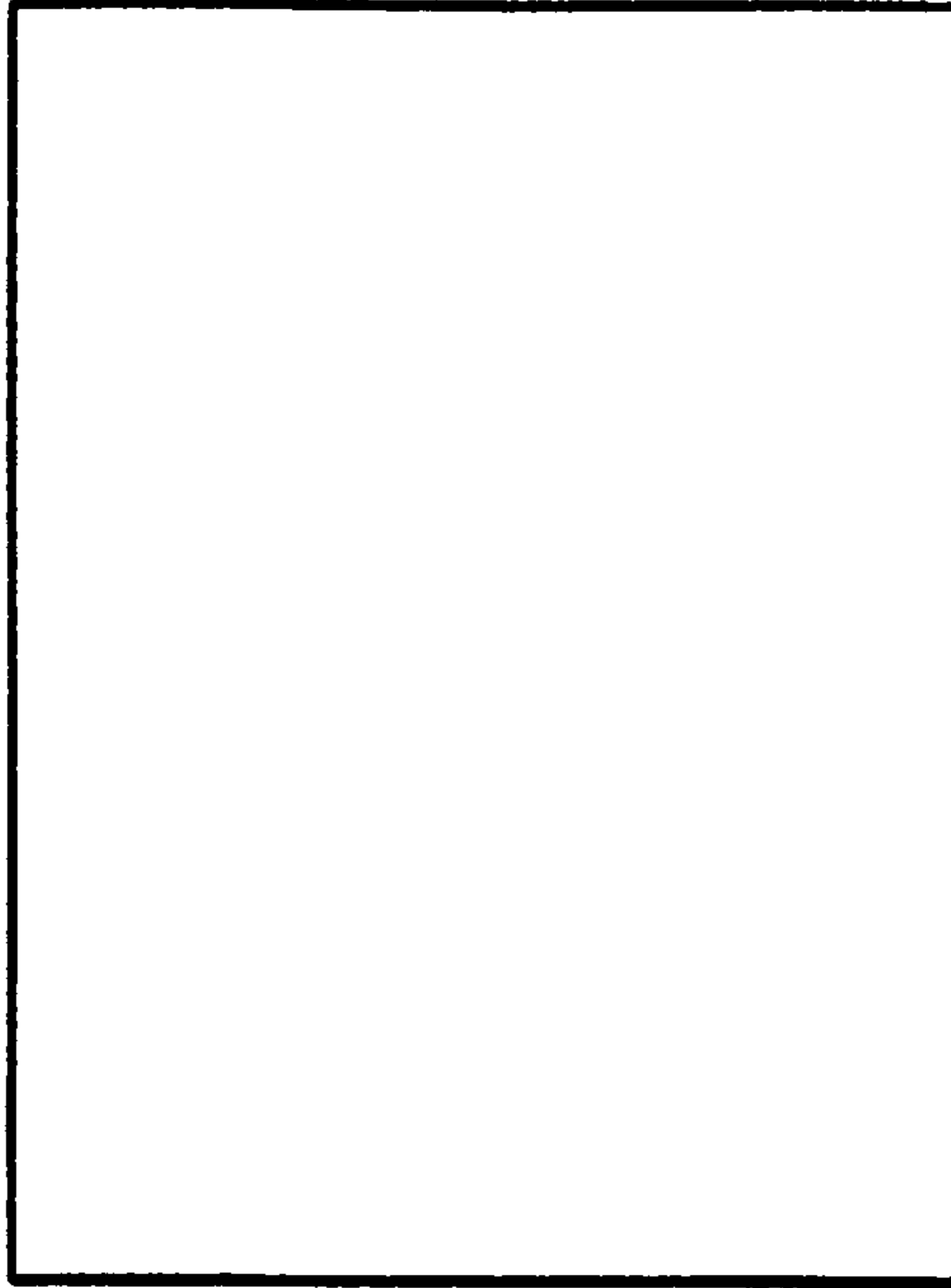


FIG. 7

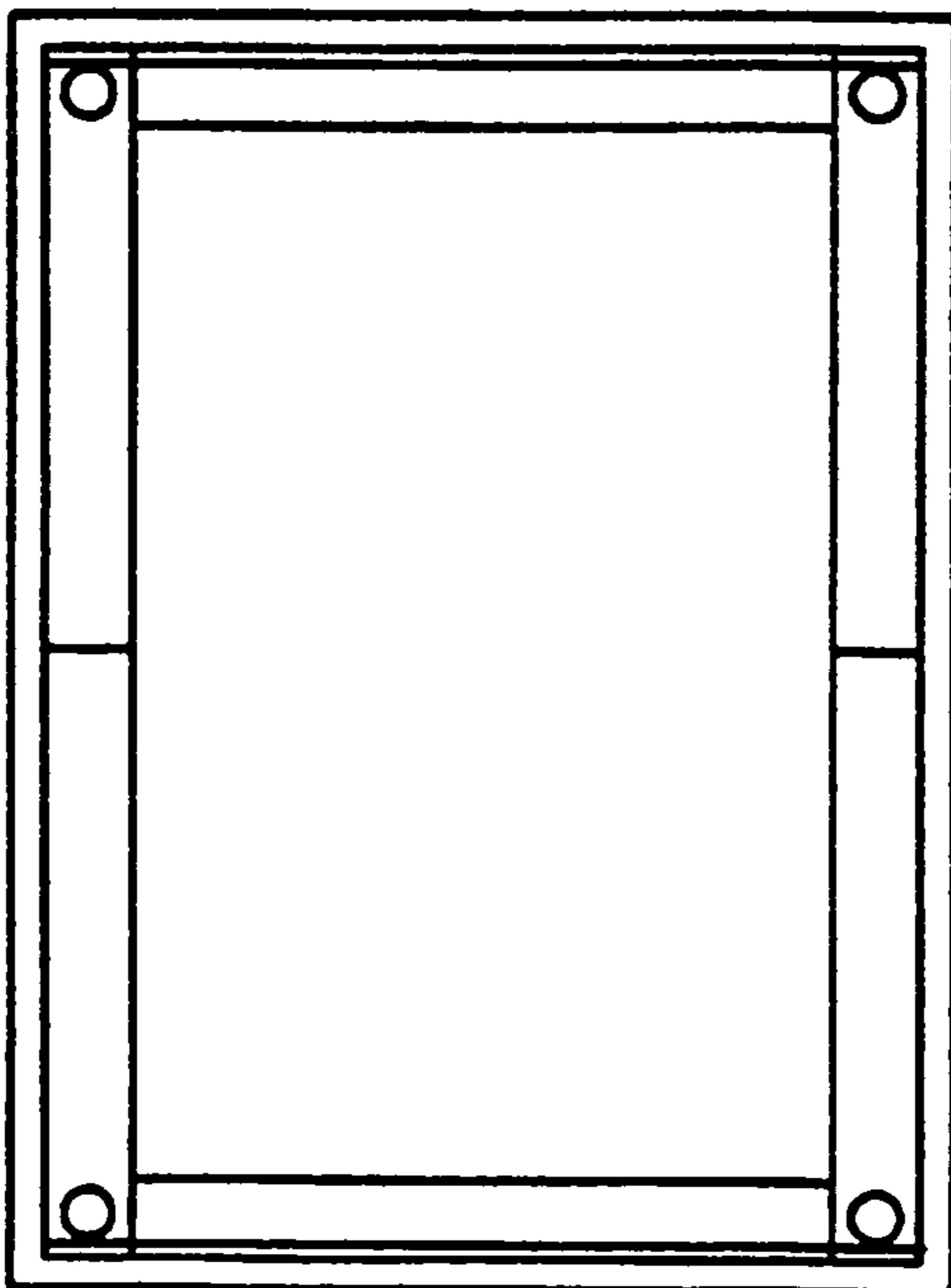


FIG. 6