



US00D546587S

(12) **United States Design Patent**
Devolder

(10) **Patent No.:** **US D546,587 S**

(45) **Date of Patent:** **** Jul. 17, 2007**

(54) **AUDIO VIDEO CABINET**

(75) Inventor: **Geert Devolder**, Kortrijk (BE)

(73) Assignee: **Lefevere NV**, Harelbeke (BE)

(**) Term: **14 Years**

(21) Appl. No.: **29/251,058**

(22) Filed: **Jan. 3, 2006**

(51) **LOC (8) Cl.** **06-04**

(52) **U.S. Cl.** **D6/479**

(58) **Field of Classification Search** D6/460,
D6/461, 468, 474, 477-479; D14/129; 312/7.2,
312/9.1; 108/59, 91, 92, 96; 211/40, 41.12,
211/42, 49.1, 50, 85.2, 90.04, 187, 190, 119.003,
211/134.153, 87.01, 71.01

See application file for complete search history.

(56) **References Cited**

U.S. PATENT DOCUMENTS

D235,597 S *	7/1975	Loomis	D6/479
D363,840 S *	11/1995	Weshler	D6/476
D375,004 S *	10/1996	Josefsson	D6/477
D382,732 S *	8/1997	Kearney	D6/478
D387,236 S *	12/1997	Madonna	D6/629
D479,924 S *	9/2003	Bates	D6/455
D518,665 S *	4/2006	Palmquist	D6/478

* cited by examiner

Primary Examiner—Cathron C. Brooks

(74) *Attorney, Agent, or Firm*—James Creighton Wray

(57) **CLAIM**

The ornamental design for the audio video cabinet, as shown and described.

DESCRIPTION

FIG. 1 is a front view of an audio video cabinet.

FIG. 2 is a rear view of the audio video cabinet shown in FIG. 1.

FIG. 3 is a right side elevation of the audio video cabinet shown in FIGS. 1 and 2.

FIG. 4 is a left side elevation of the audio video cabinet shown in FIGS. 1-3.

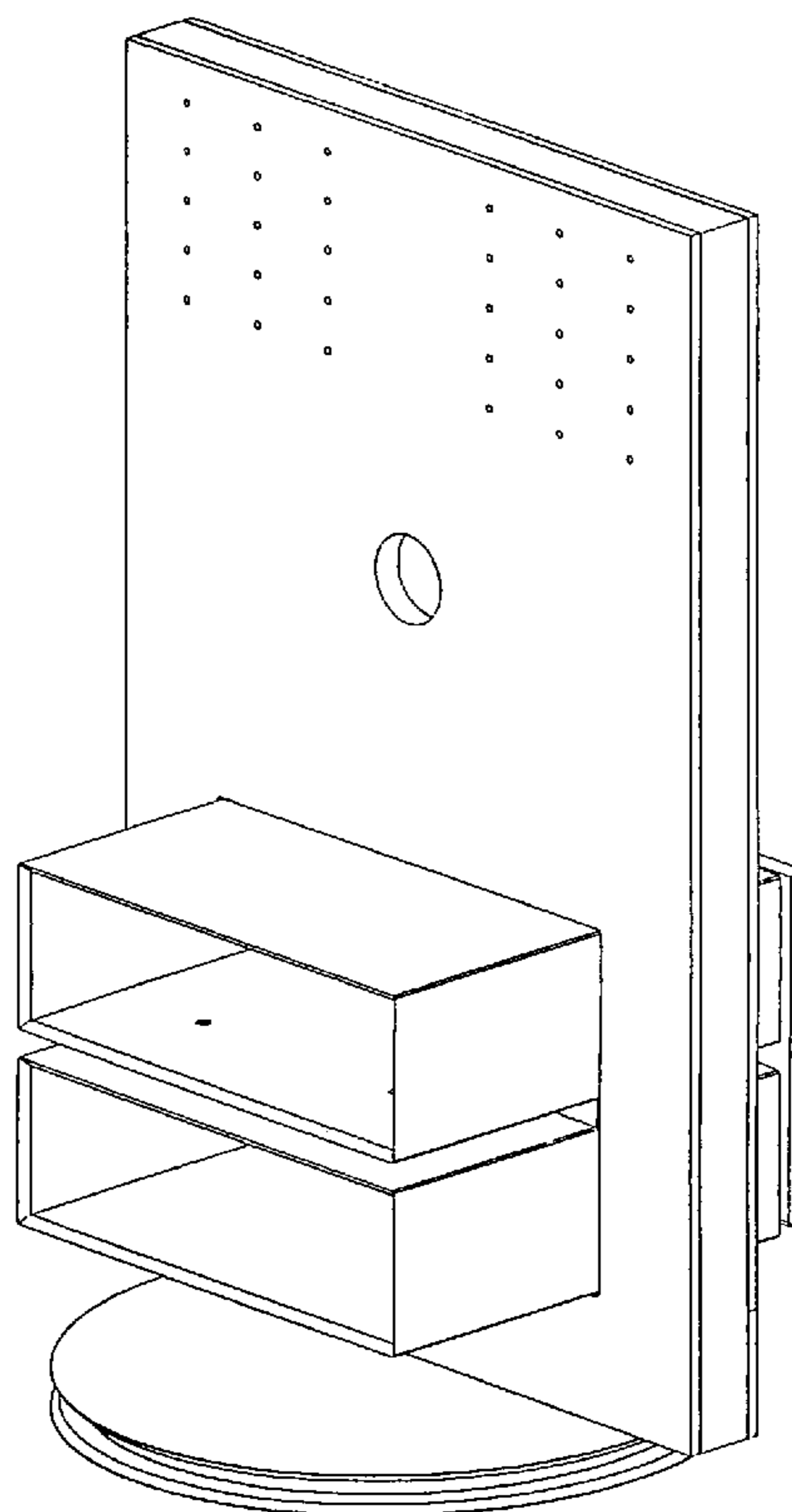
FIG. 5 is a plan view of the audio video cabinet shown in FIGS. 1-4.

FIG. 6 is a bottom view of the audio video cabinet shown in FIGS. 1-5.

FIG. 7 is a front perspective view of an audio video cabinet shown in FIGS. 1-6 showing the front, top and right side; and,

FIG. 8 is a rear perspective view of the audio video cabinet shown in FIGS. 1-7 showing the rear, top and right side.

1 Claim, 8 Drawing Sheets



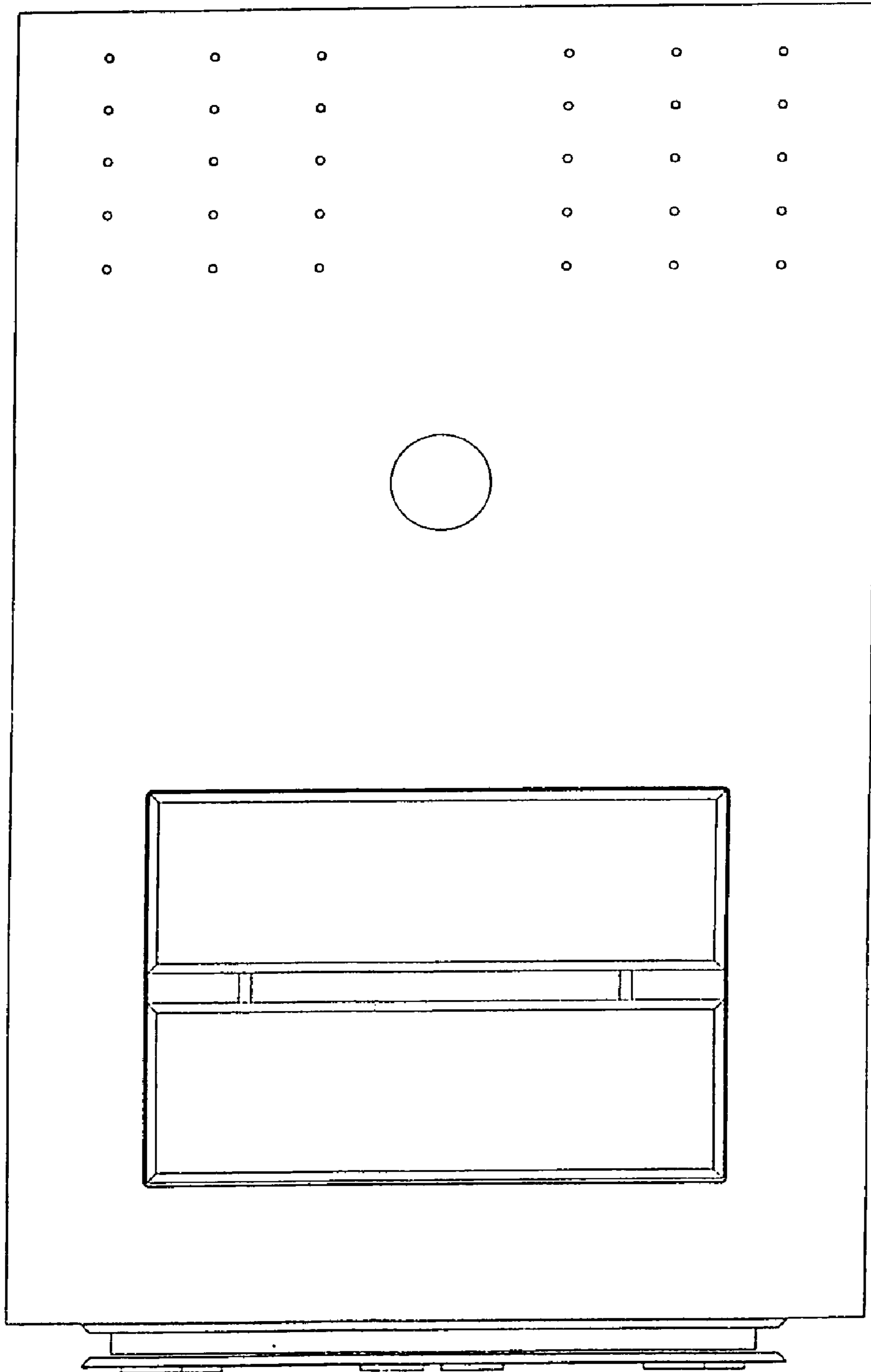


FIG. 1

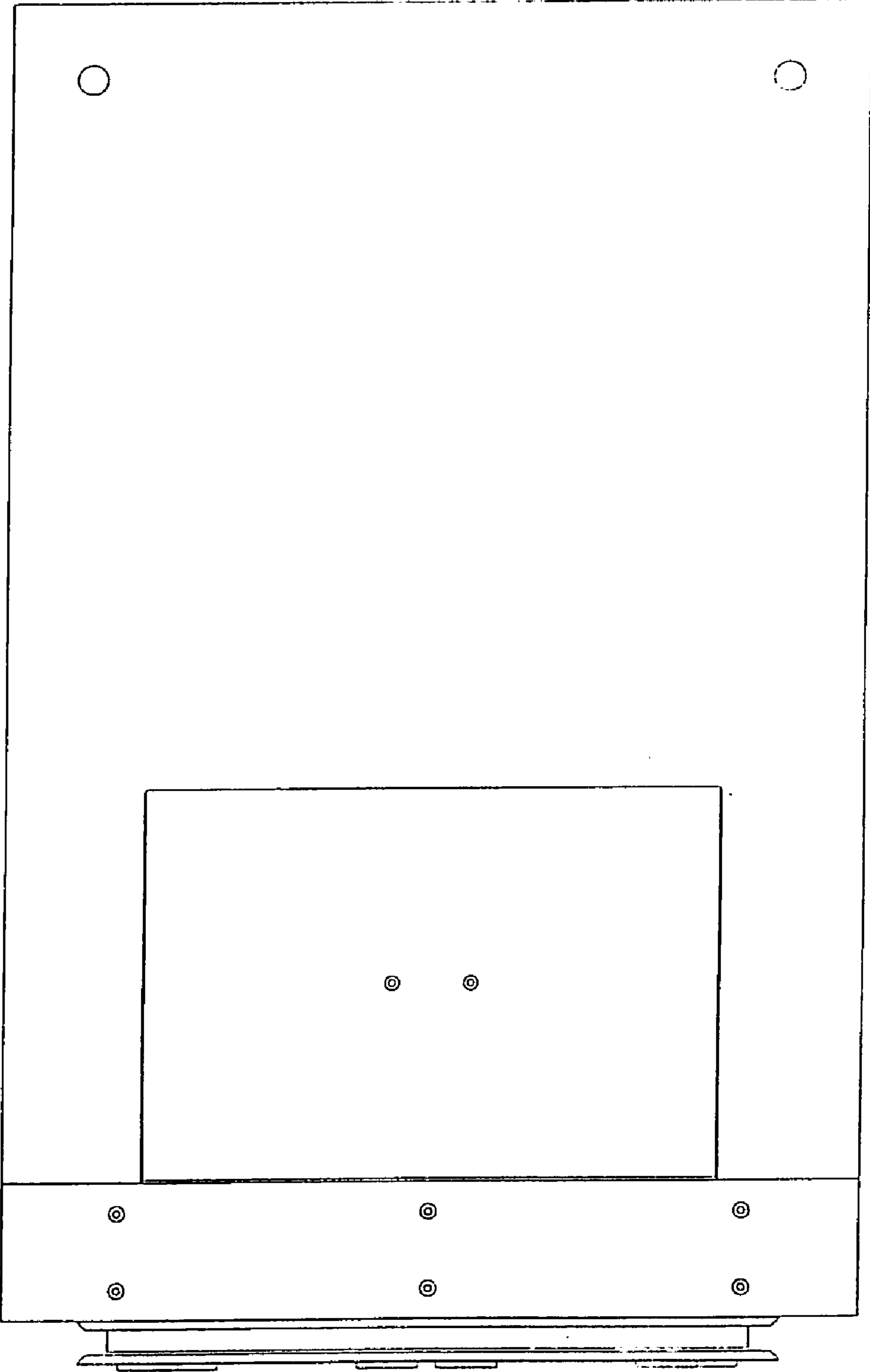


FIG. 2

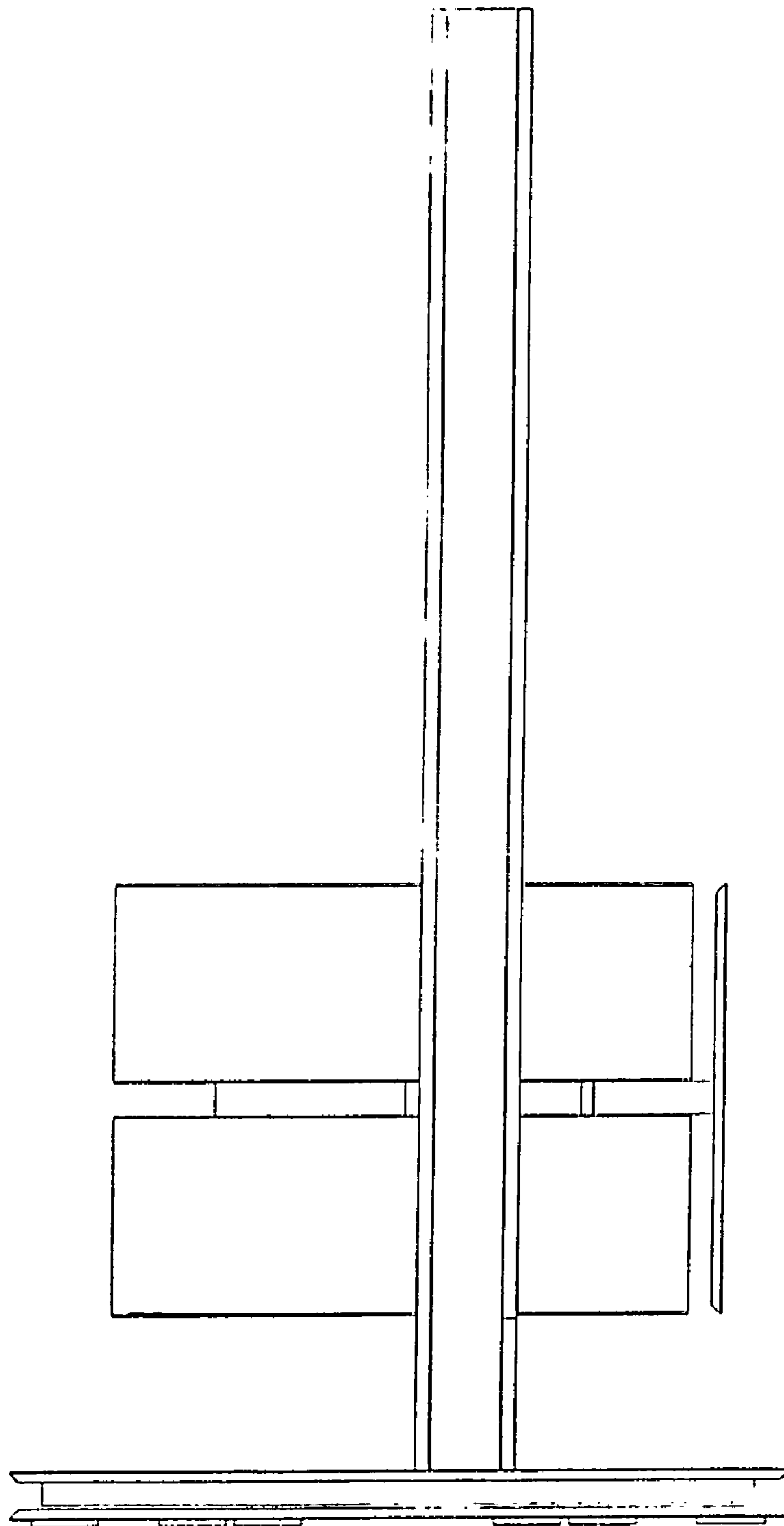


FIG. 3

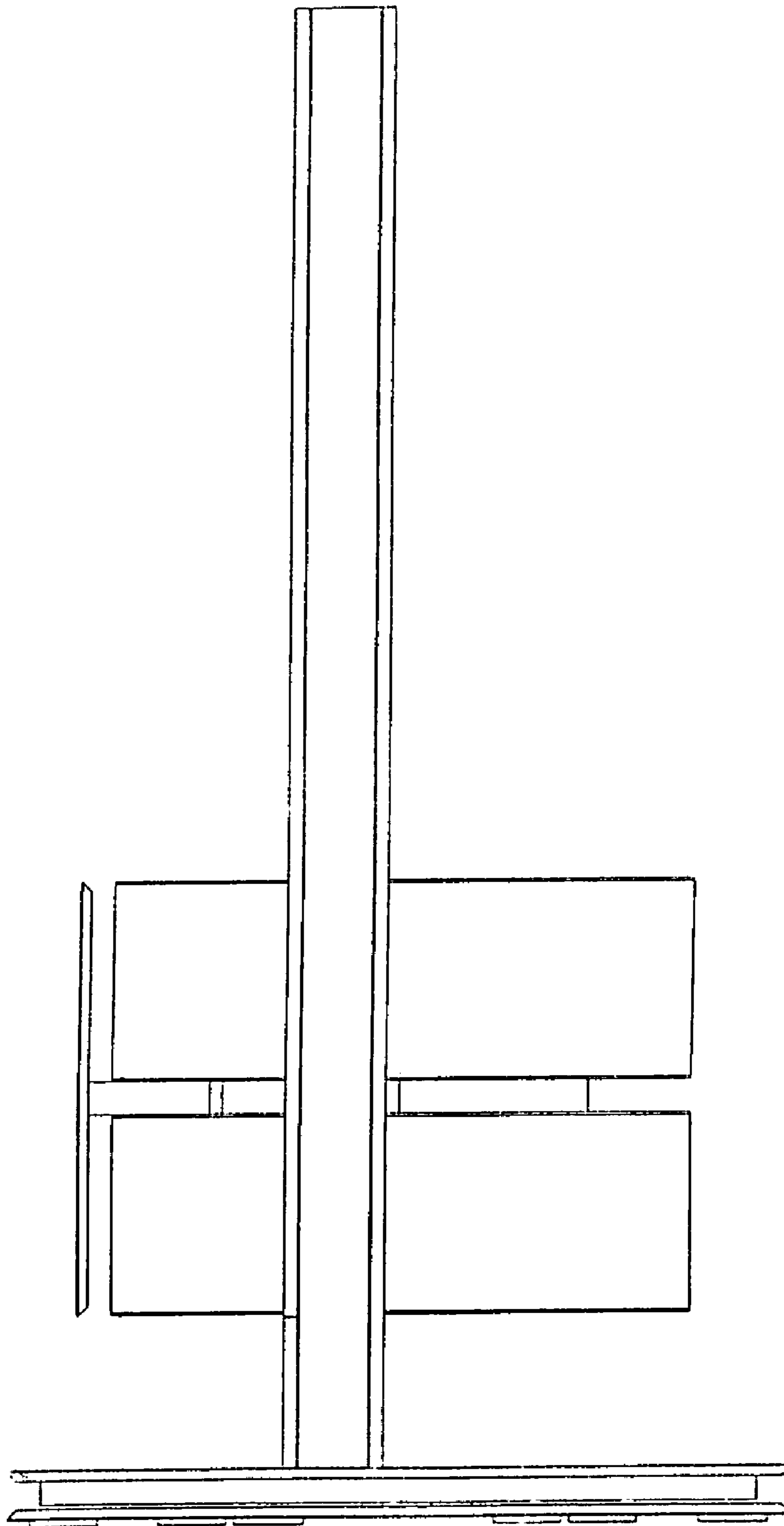


FIG. 4

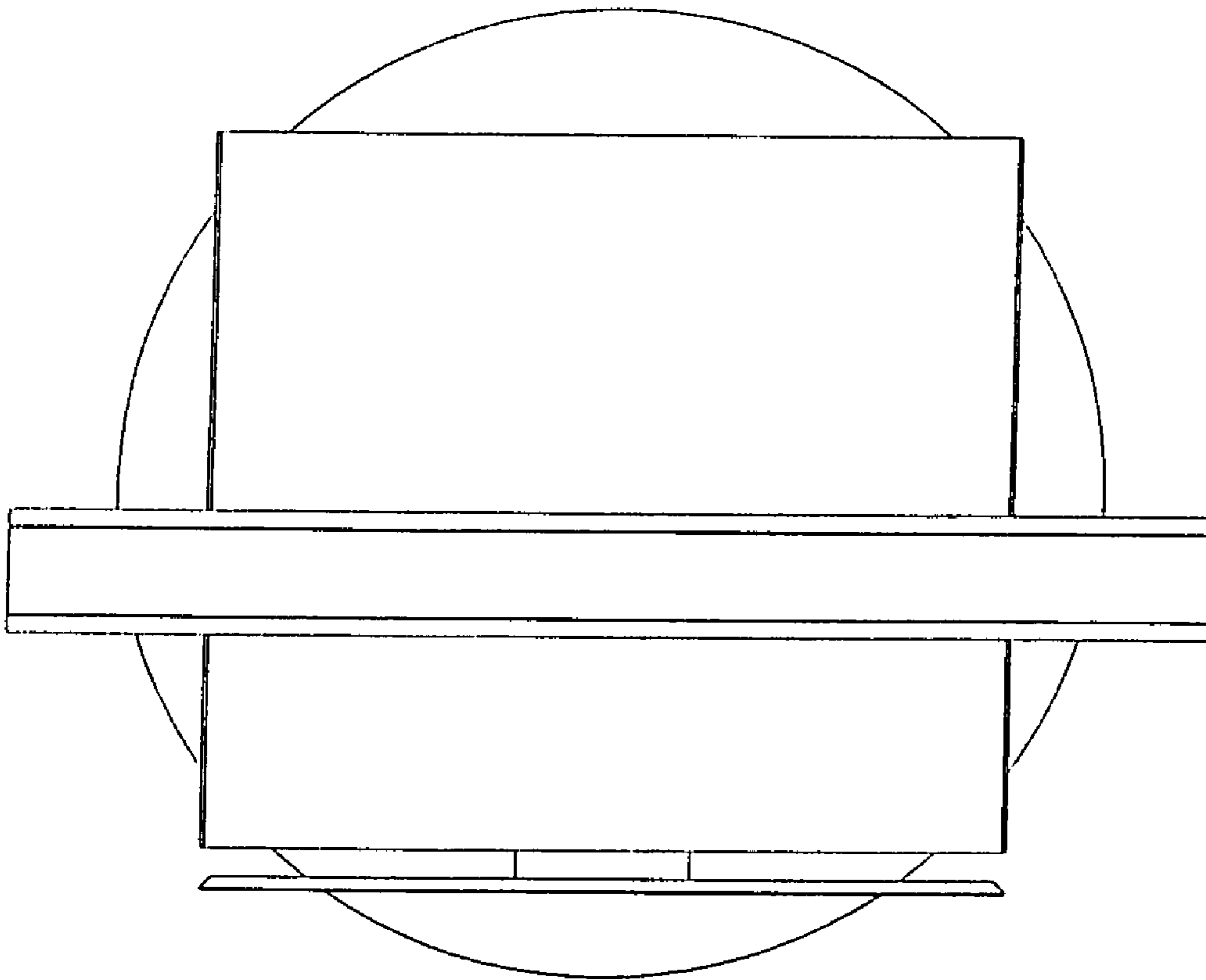


FIG. 5

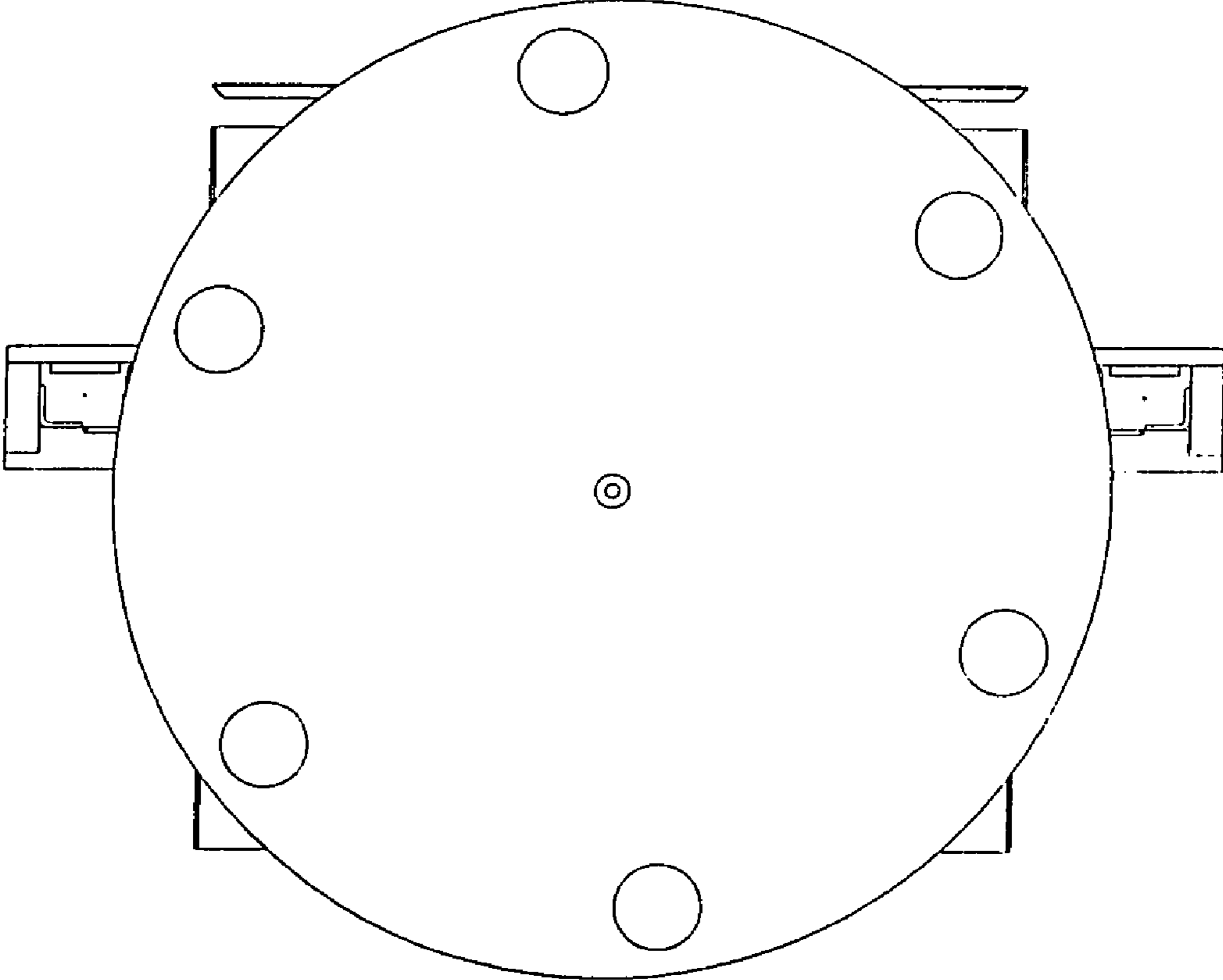


FIG. 6

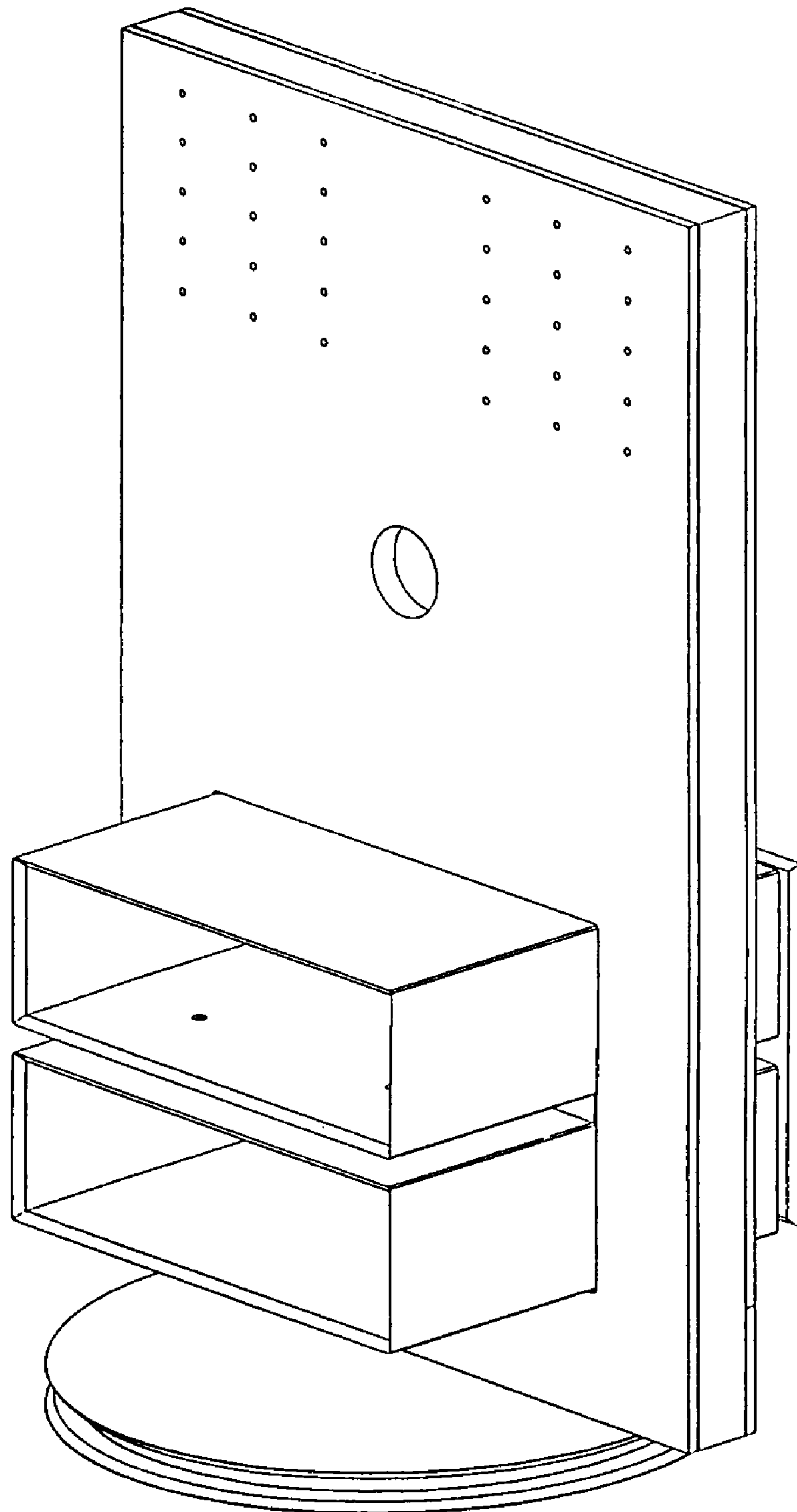


FIG. 7

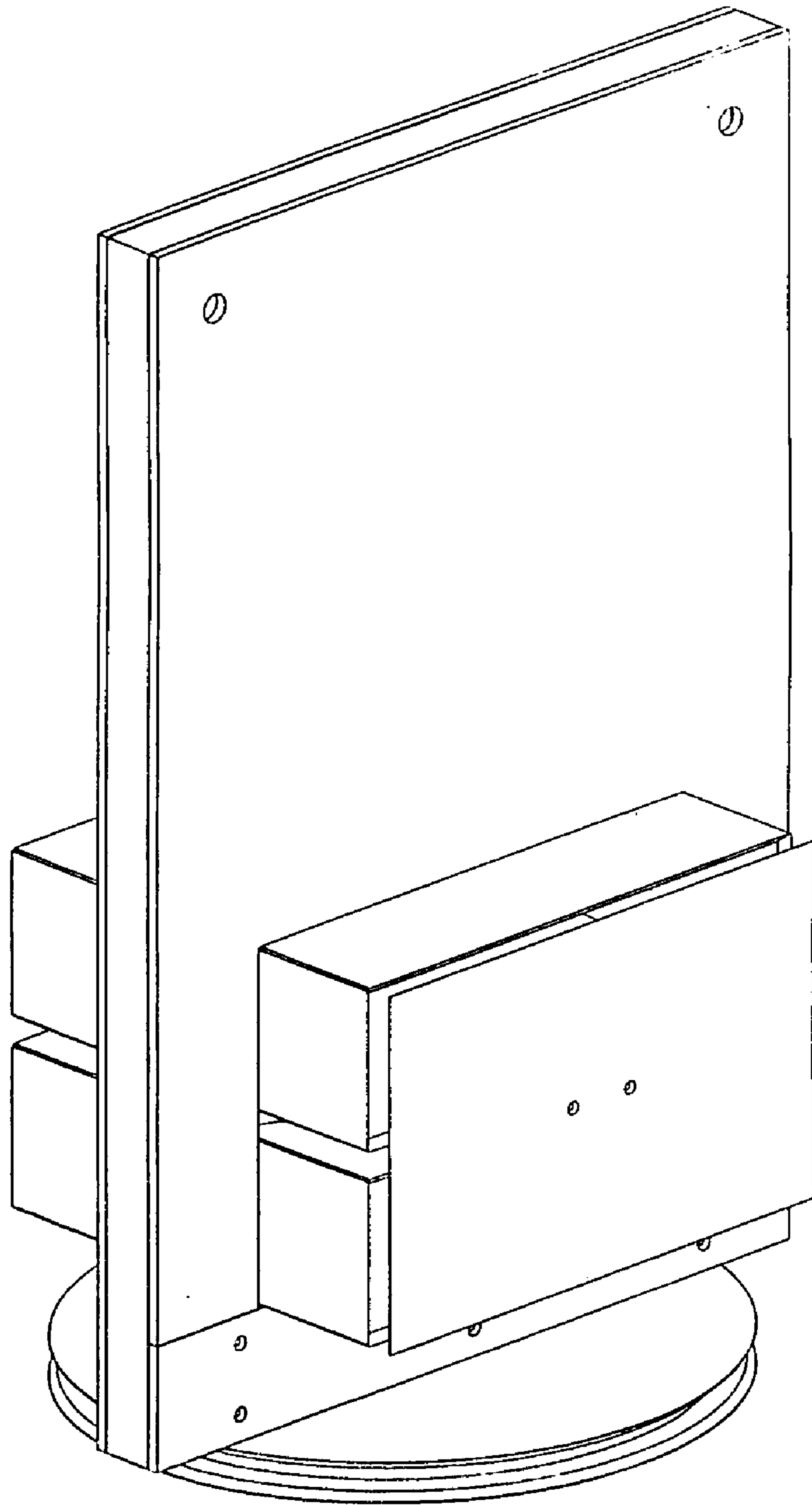


FIG. 8