

US00D546584S

(12) **United States Design Patent**
Brin

(10) **Patent No.:** **US D546,584 S**

(45) **Date of Patent:** **** Jul. 17, 2007**

(54) **STORAGE RACK**

(75) Inventor: **Russell Brin**, Barnet (GB)

(73) Assignee: **Aqualona Products Limited** (GB)

(**) Term: **14 Years**

(21) Appl. No.: **29/241,049**

(22) Filed: **Oct. 21, 2005**

(51) **LOC (8) Cl.** **06-04**

(52) **U.S. Cl.** **D6/465**

(58) **Field of Classification Search** D6/455,
D6/458, 457, 463, 467, 465, 468, 495, 566,
D6/524, 409-415; 211/13.1, 34, 74, 36-38,
211/78, 40-41.12, 55-58, 77, 85.6, 126.9,
211/134, 144, 163, 194, 181.1; 206/307,
206/307.1, 308.1, 310; 108/59, 76, 91, 92,
108/102, 106, 108, 132

See application file for complete search history.

(56) **References Cited**

U.S. PATENT DOCUMENTS

- D335,403 S * 5/1993 Rittenberg D6/464
- D417,991 S * 12/1999 Hofman et al. D6/525
- D459,616 S * 7/2002 Bustos et al. D6/465

- D459,915 S * 7/2002 Bustos D6/468
- D462,552 S * 9/2002 Emery et al. D6/525
- D514,353 S * 2/2006 Nowotarski et al. D6/446
- D514,847 S * 2/2006 Peller et al. D6/465
- D522,271 S * 6/2006 Arippol D6/465

* cited by examiner

Primary Examiner—Janice E. Seeger

Assistant Examiner—Sydney R. Buffalow

(74) *Attorney, Agent, or Firm*—Carter, DeLuca, Farrell & Schmidt, LLP

(57) **CLAIM**

The ornamental design for a storage rack, as shown and described.

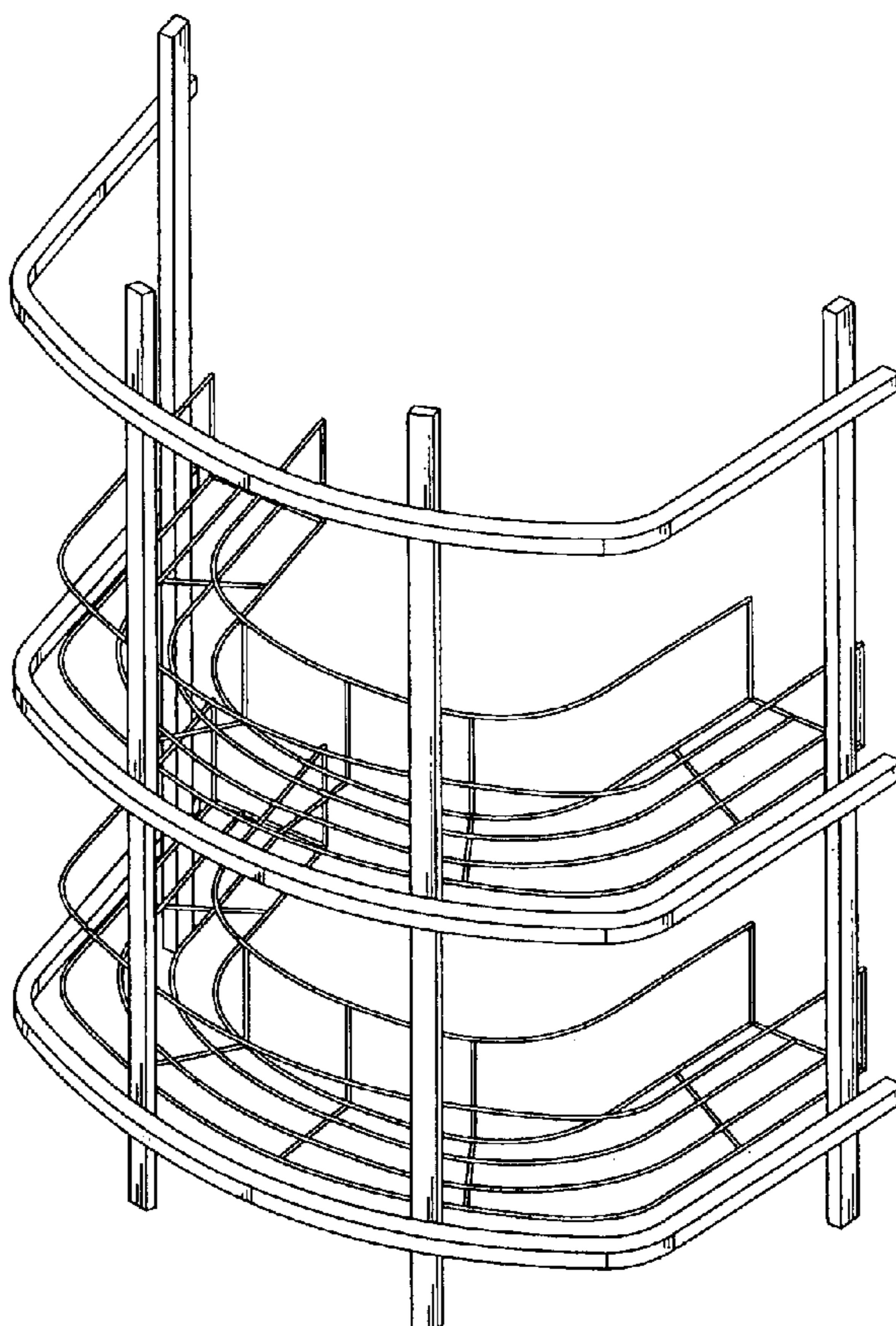
DESCRIPTION

FIG. 1 is a front, right side perspective view of a storage rack in accordance with an embodiment of the present design; FIG. 2 is a rear, right side perspective view of the storage rack of FIG. 1;

FIG. 3 is a front, left side elevational view of the storage rack of FIGS. 1 and 2; and,

FIG. 4 is a rear, left side perspective view of the storage rack of FIGS. 1-4.

1 Claim, 4 Drawing Sheets



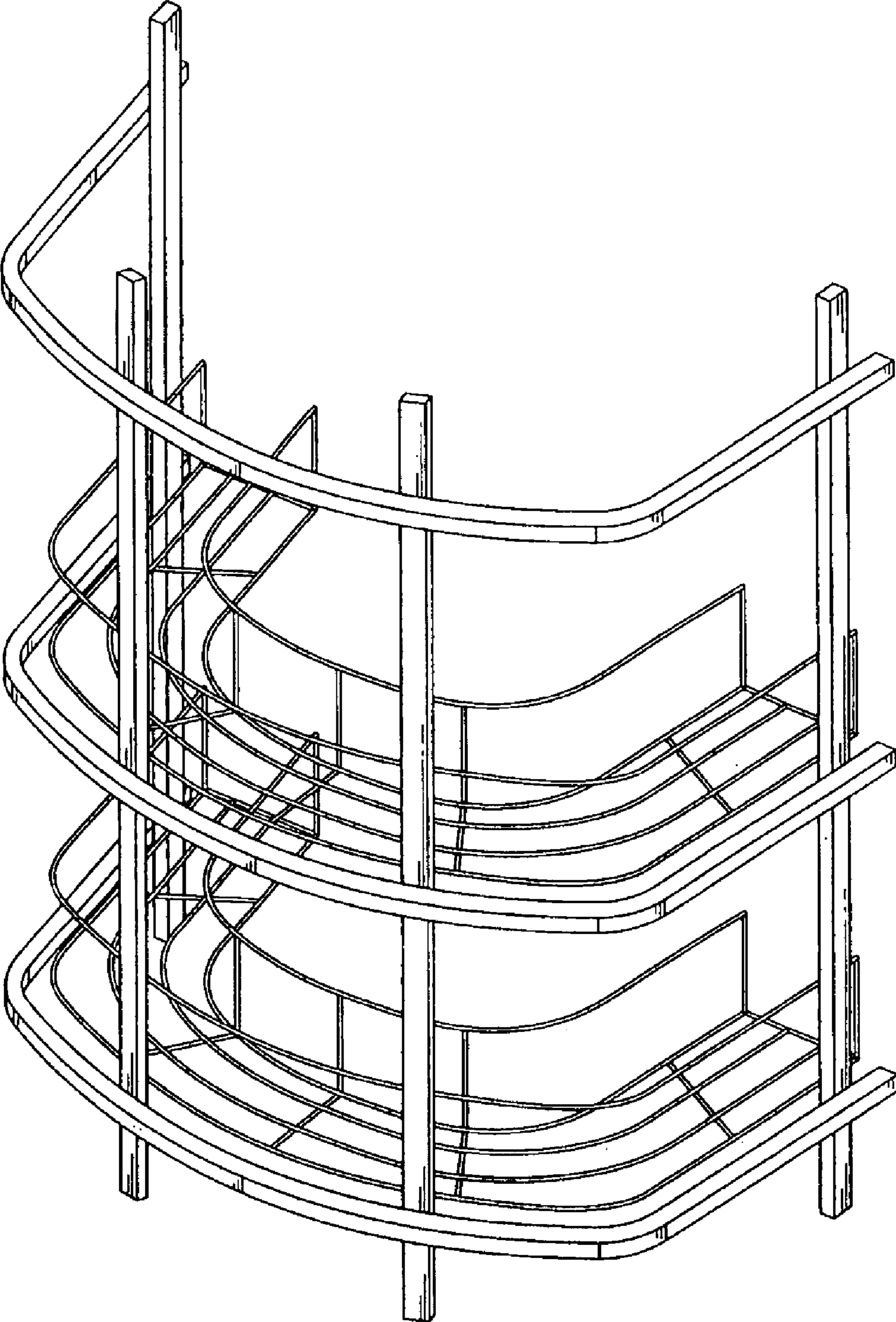


FIG. 1

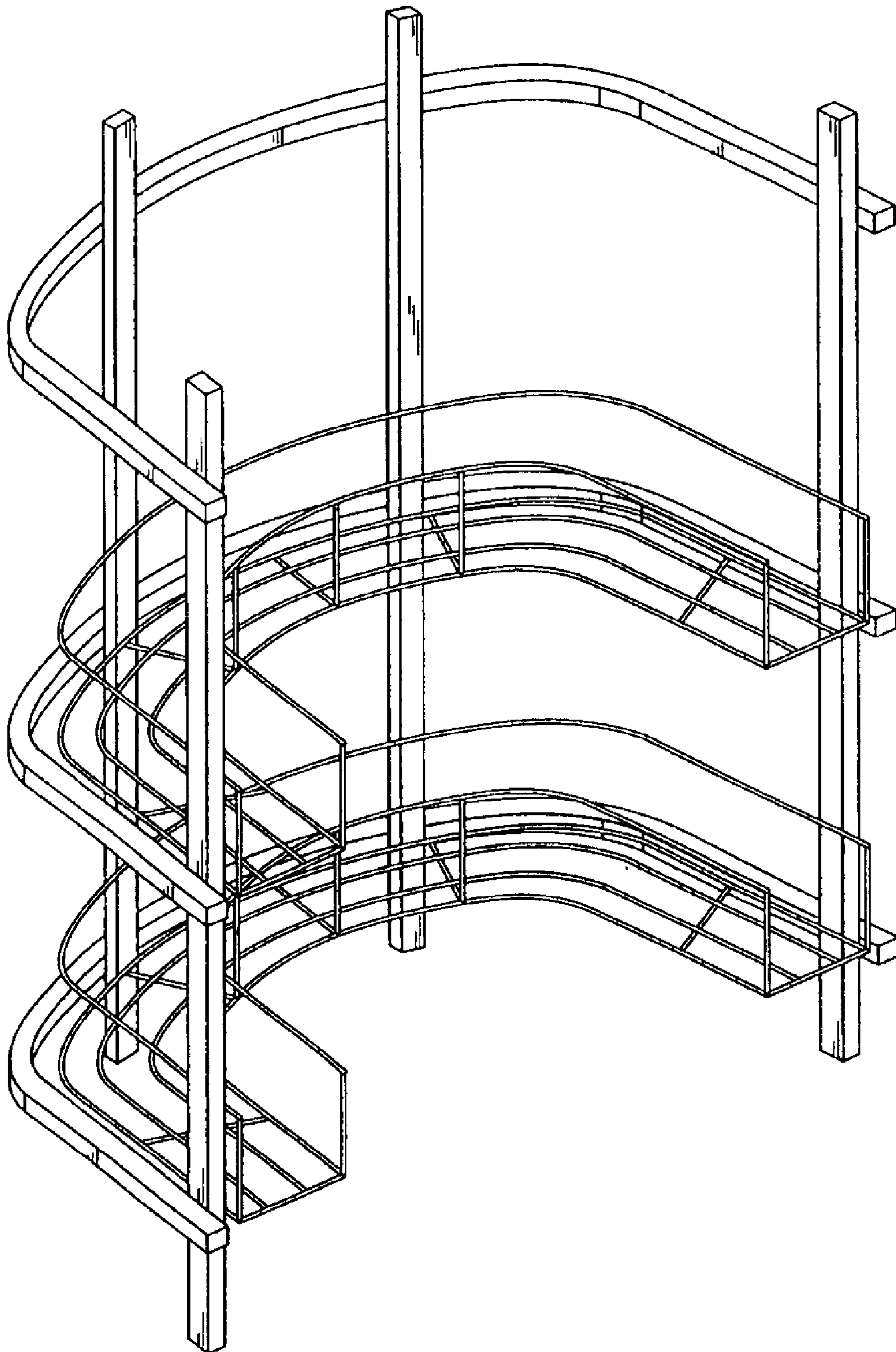


FIG. 2

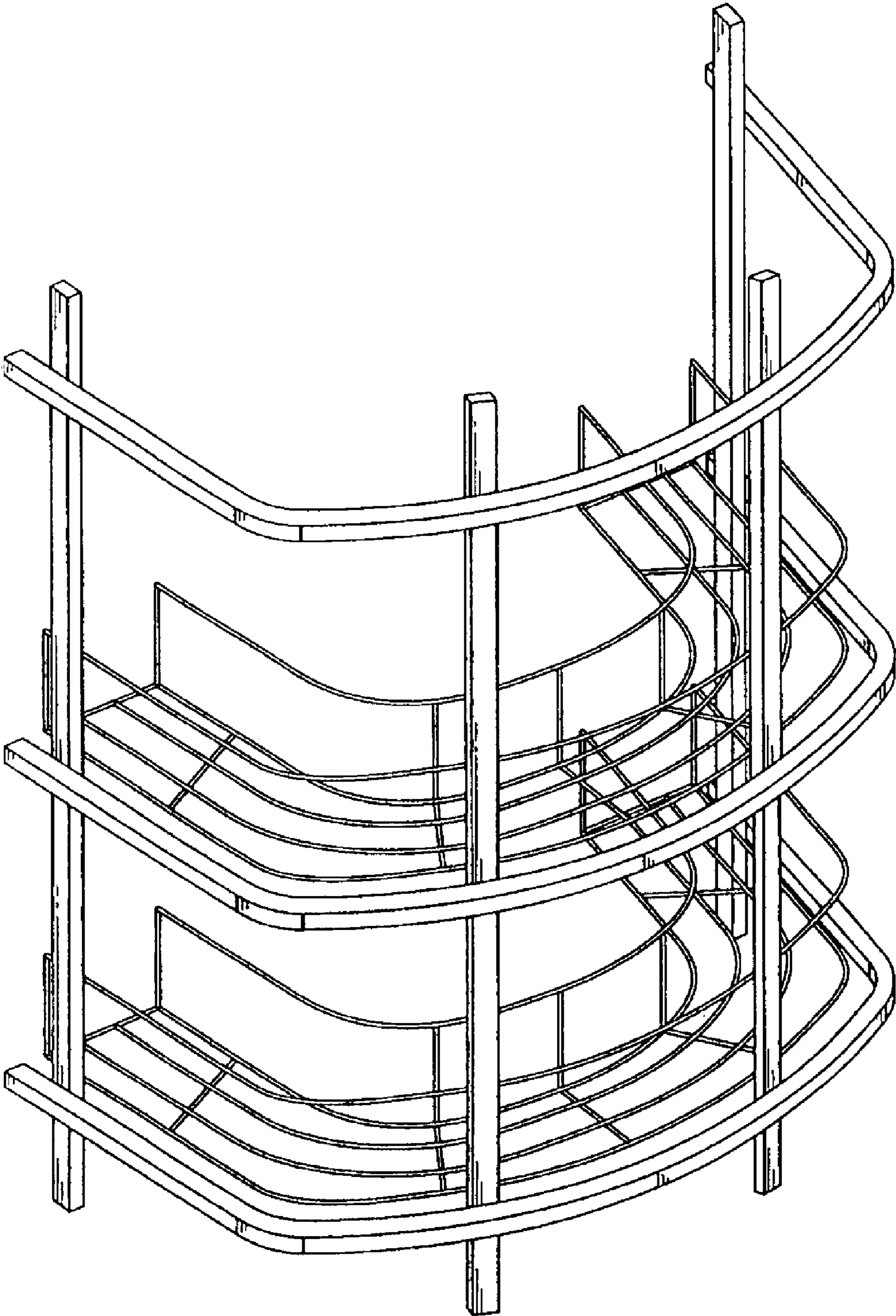


FIG. 3

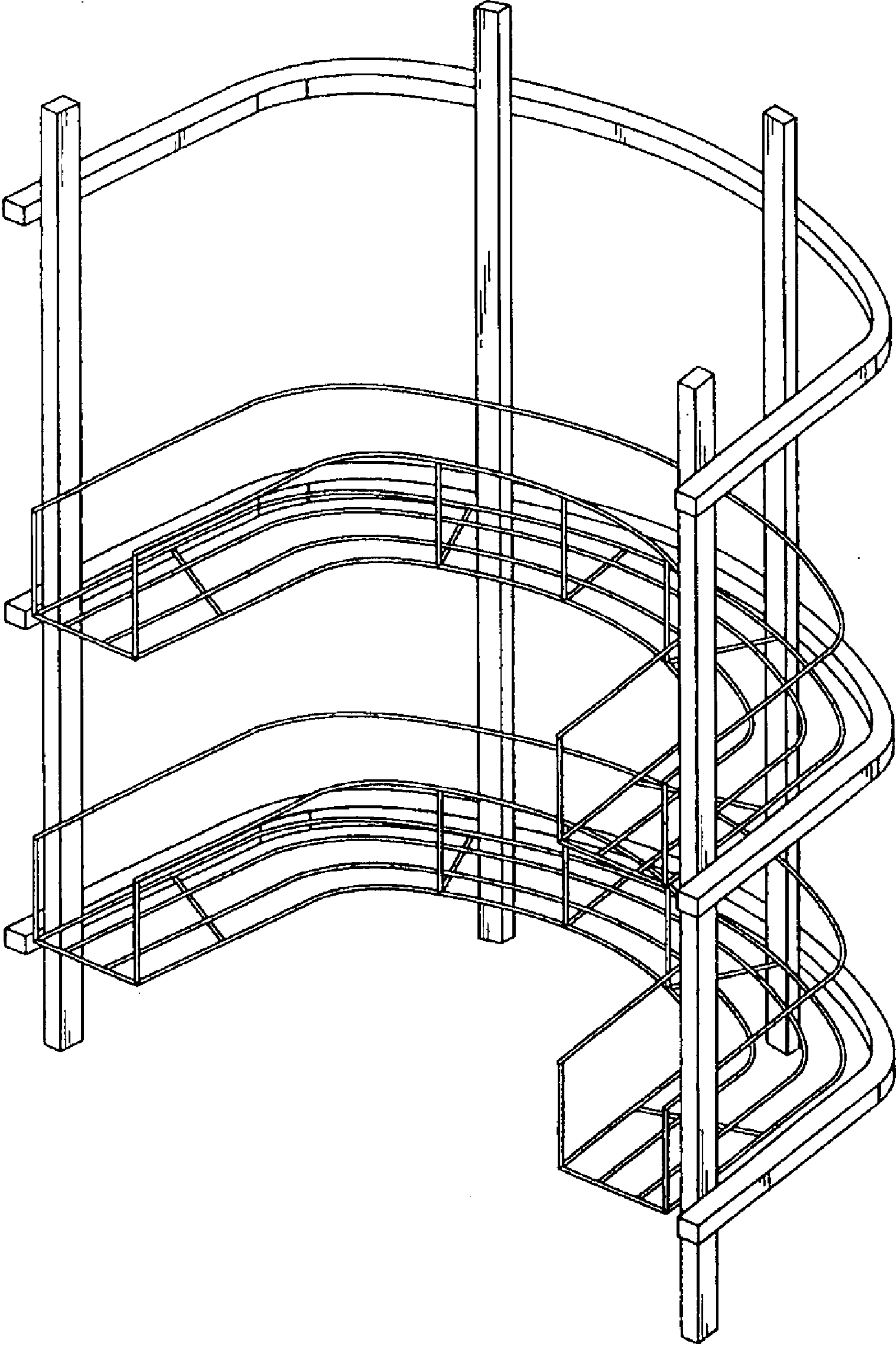


FIG. 4