

US00D546582S

(12) **United States Design Patent**
Moloney

(10) **Patent No.:** **US D546,582 S**

(45) **Date of Patent:** **** Jul. 17, 2007**

(54) **STORAGE UNIT**

D483,963 S * 12/2003 Cassel D6/446
D515,813 S * 2/2006 Roberson D3/319

(76) Inventor: **Margaret Moloney**, 84 Salem Dr.,
Pennsville, NJ (US) 08070

* cited by examiner

(**) Term: **14 Years**

Primary Examiner—Cathron C. Brooks
Assistant Examiner—Kelley A. Donnelly

(21) Appl. No.: **29/268,270**

(57) **CLAIM**

(22) Filed: **Nov. 2, 2006**

The ornamental design for a storage unit, as shown and described.

(51) **LOC (8) Cl.** **06-04**

(52) **U.S. Cl.** **D6/445**

(58) **Field of Classification Search** D6/432-448,
D6/425, 429; D3/296-297, 319; 312/203-204,
312/100, 209, 249.8, 257.1, 258; D15/86;
D12/423

DESCRIPTION

See application file for complete search history.

FIG. 1 is a perspective view showing the bottom drawer pulled out from its slot;

FIG. 2 is a front elevational view thereof;

FIG. 3 is a rear elevational view thereof;

FIG. 4 is a left side elevational thereof;

FIG. 5 is a top plan view thereof; and,

FIG. 6 is a bottom plan view thereof.

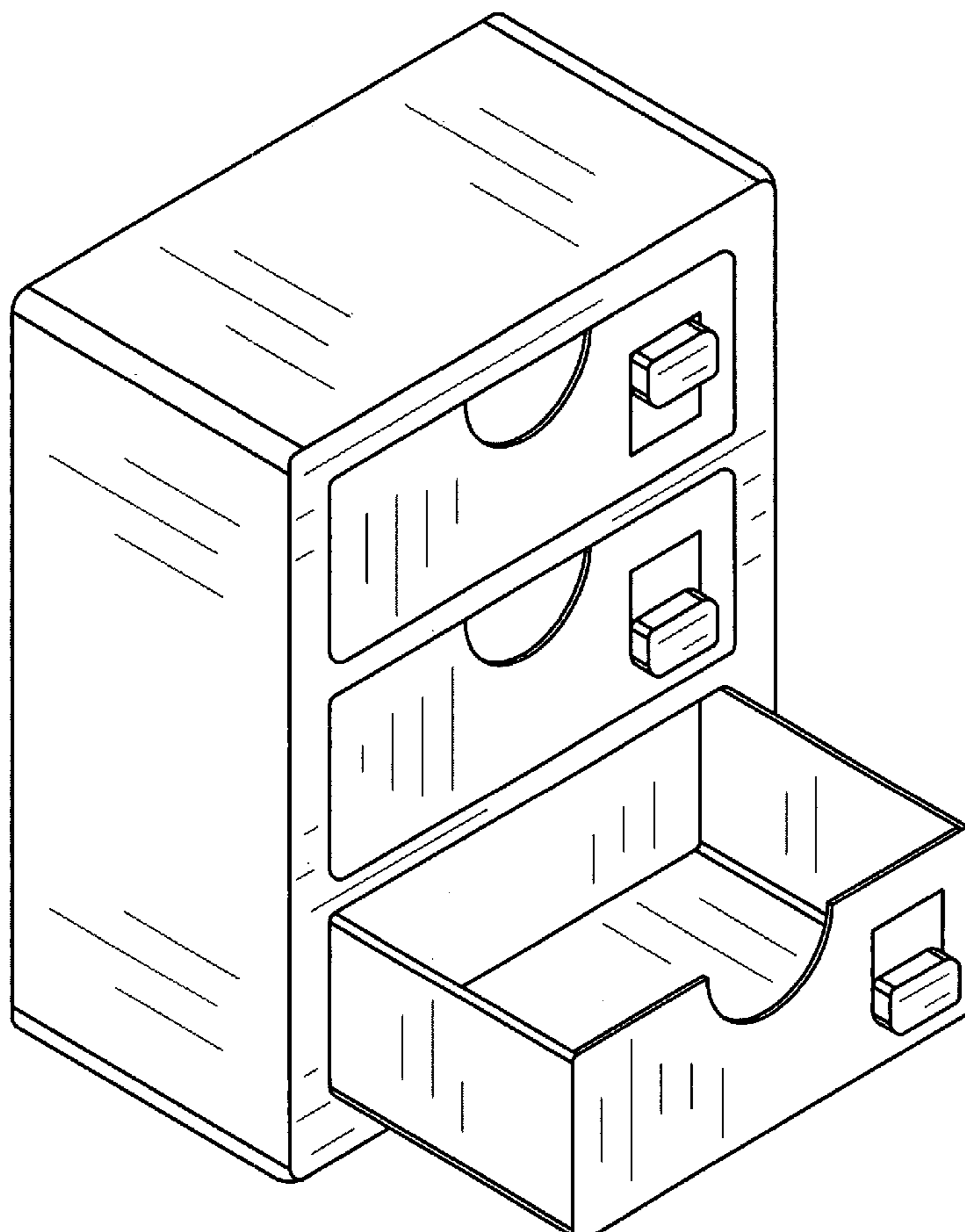
The broken lines in the drawings are for illustrative purposes only and form no part of the claimed design.

(56) **References Cited**

U.S. PATENT DOCUMENTS

5,651,152 A	7/1997	Ritchie et al.	
D387,224 S *	12/1997	Dunlap, Jr.	D6/446
D418,959 S *	1/2000	Tisbo et al.	D34/21
D436,754 S *	1/2001	Bellini	D6/445
D449,626 S *	10/2001	Chang et al.	D15/86
6,347,419 B1	2/2002	Kurtz	

1 Claim, 6 Drawing Sheets



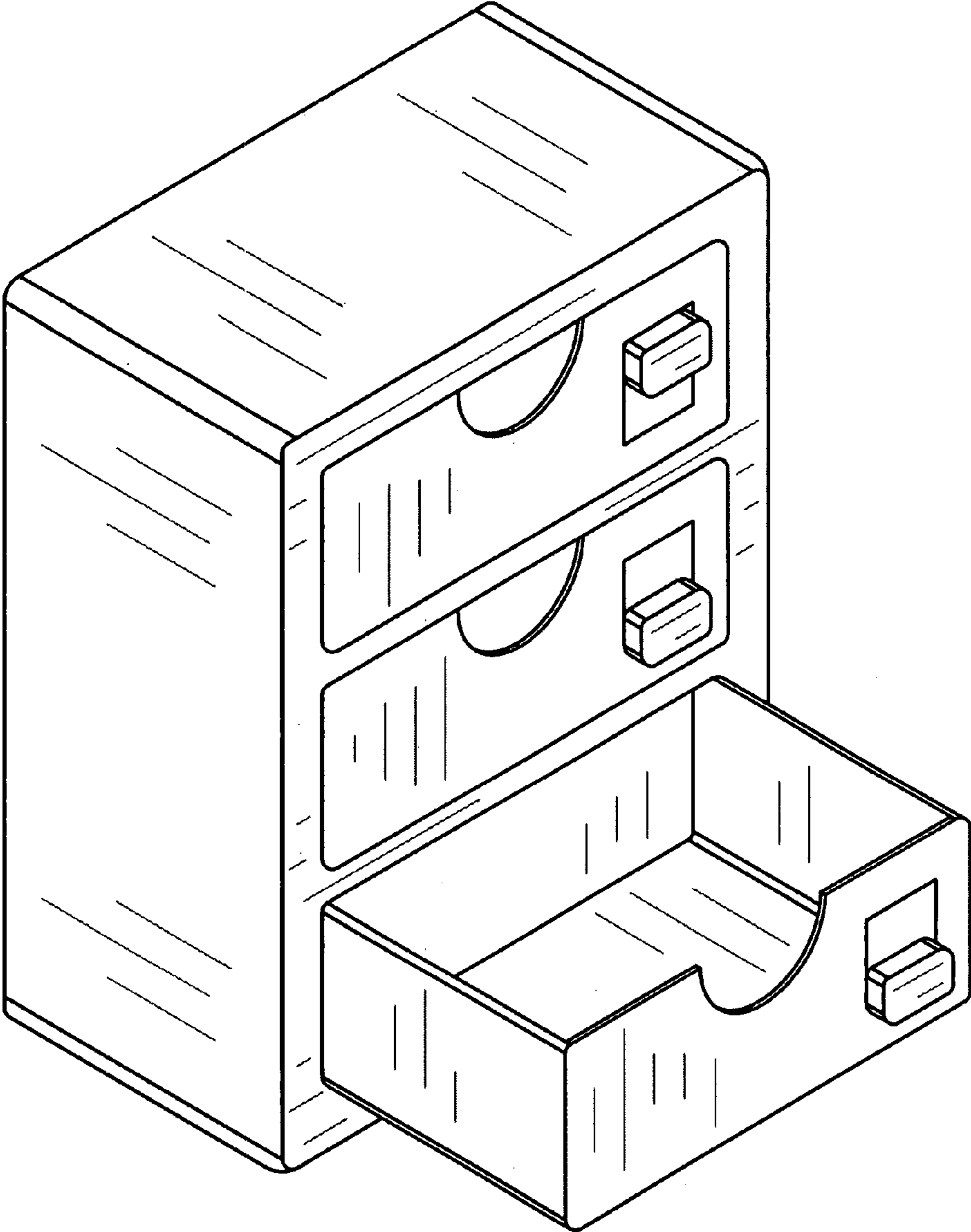


FIG. 1

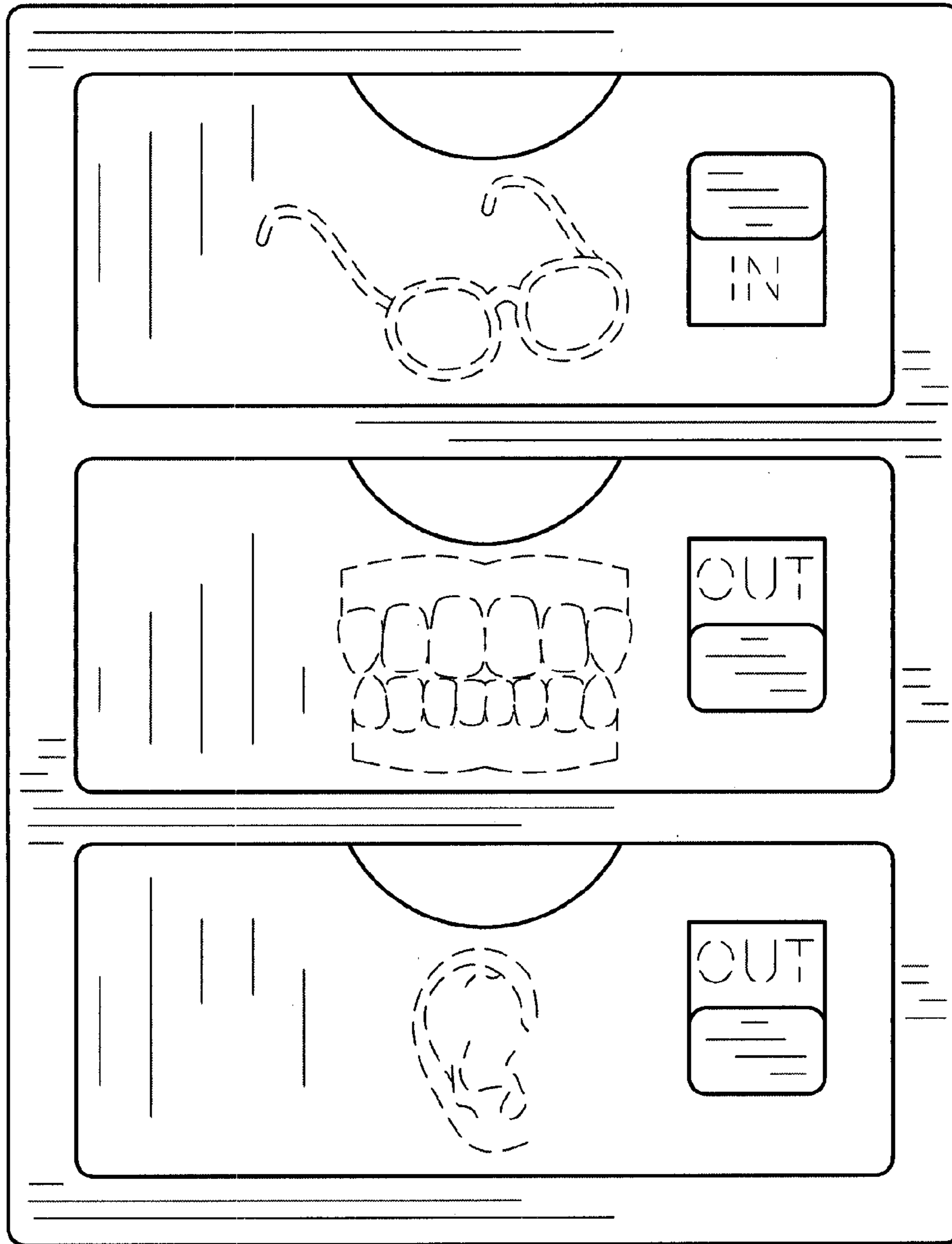


FIG. 2

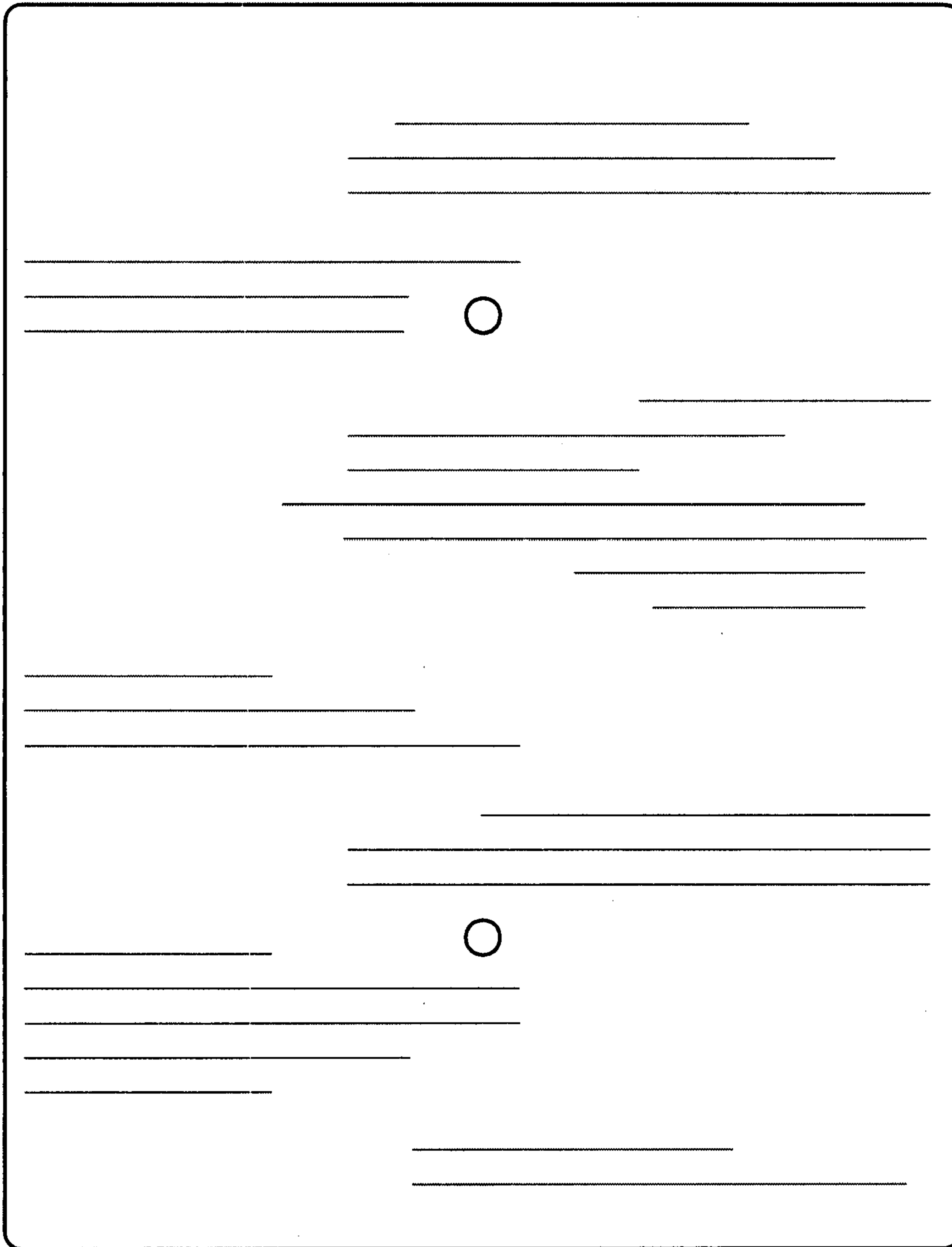


FIG. 3

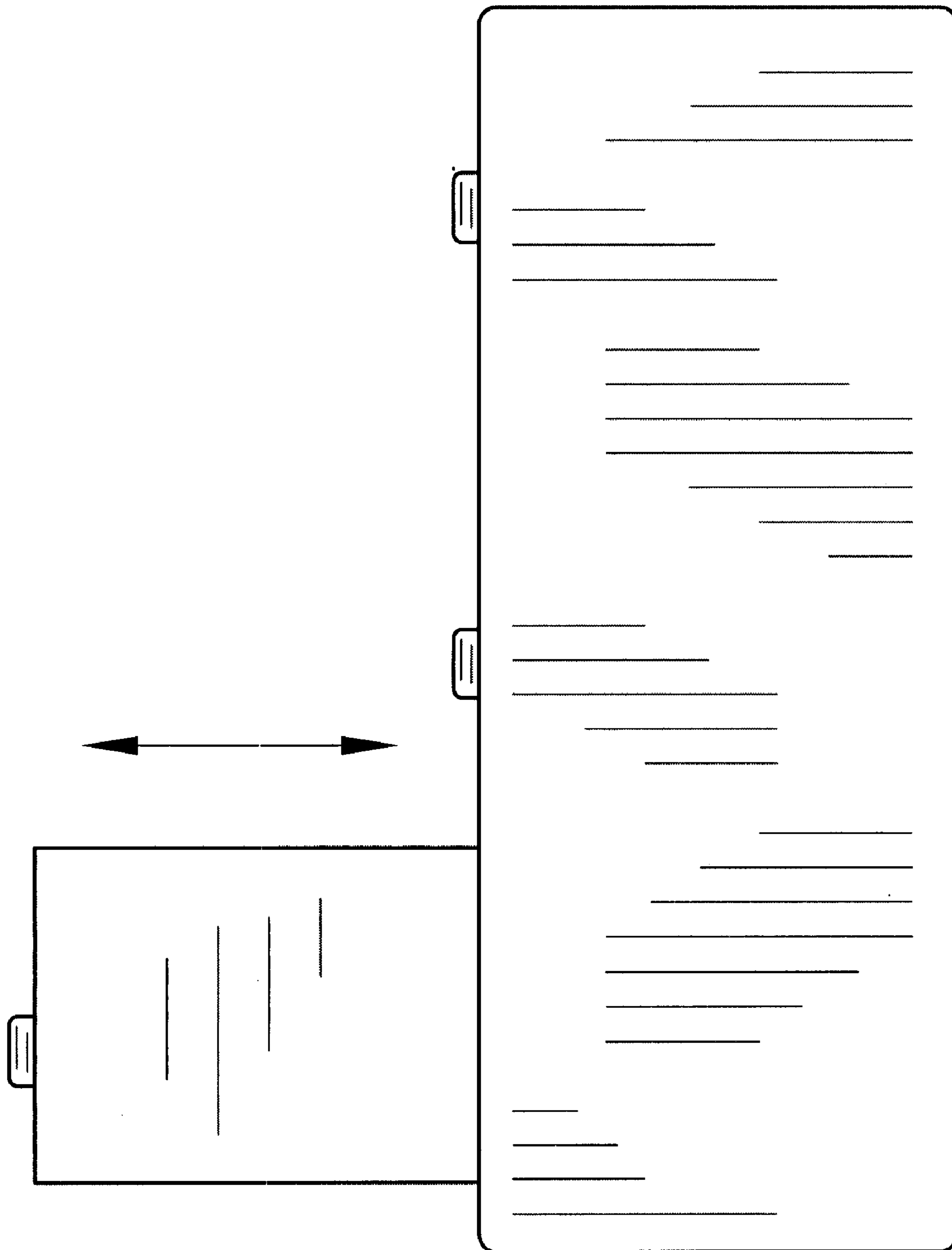


FIG. 4

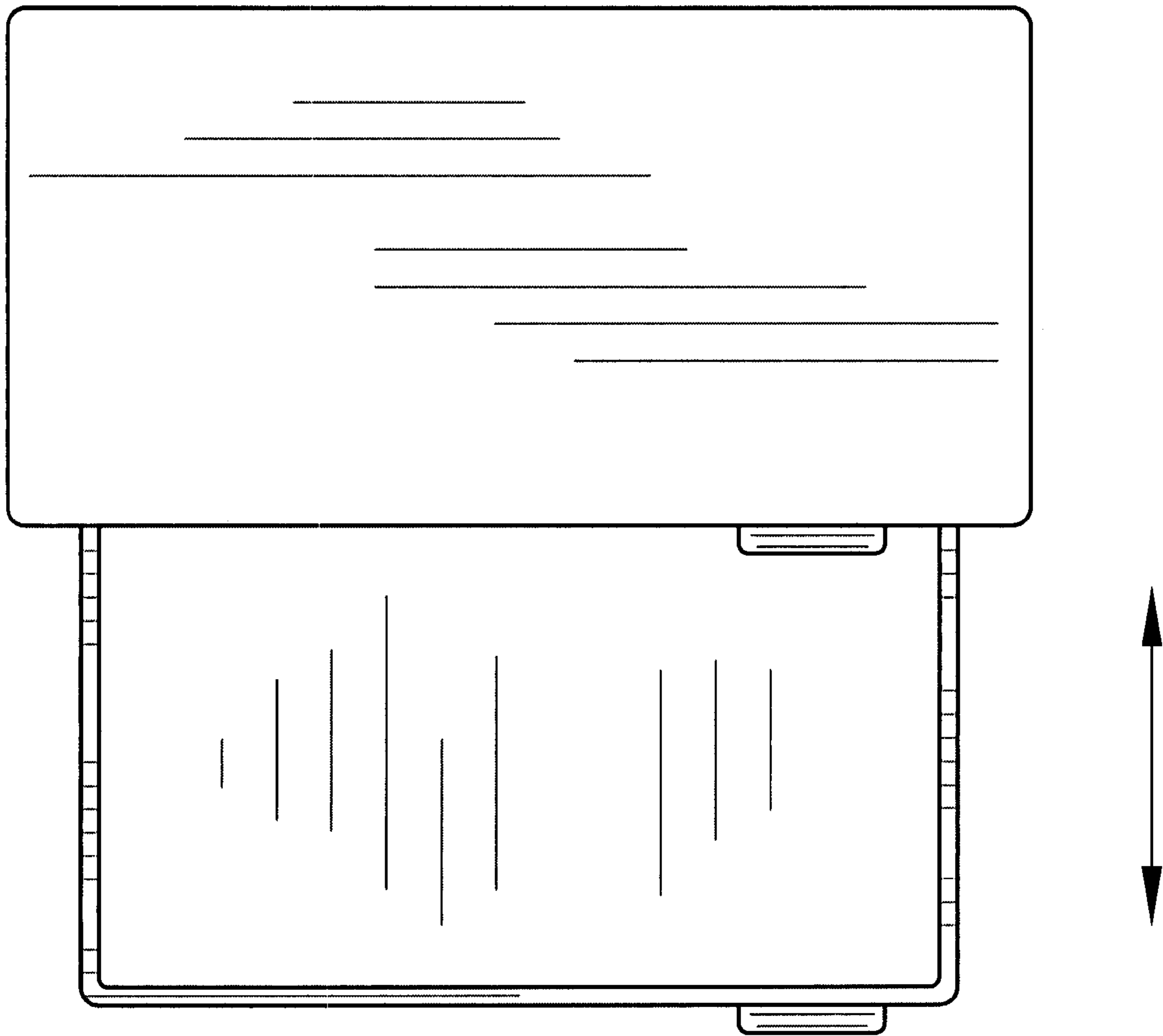


FIG. 5



FIG. 6