



US00D546578S

(12) **United States Design Patent**
Juneau

(10) **Patent No.:** **US D546,578 S**

(45) **Date of Patent:** **** Jul. 17, 2007**

(54) **BED**

(75) **Inventor:** **Alain Juneau**, St-Jean-Chrysostome
(CA)

(73) **Assignee:** **Baronet, Inc.** (CA)

(**) **Term:** **14 Years**

(21) **Appl. No.:** **29/240,176**

(22) **Filed:** **Oct. 7, 2005**

(51) **LOC (8) Cl.** **06-01**

(52) **U.S. Cl.** **D6/393**

(58) **Field of Classification Search** D6/382,
D6/388, 389, 392-395, 505-508; 5/53.1,
5/279.1, 280, 281, 907

See application file for complete search history.

(56) **References Cited**

U.S. PATENT DOCUMENTS

D220,442 S	4/1971	Beavers	
D243,987 S	4/1977	Carter	
D299,598 S	1/1989	Everett	
D338,744 S *	8/1993	Marlon et al.	D30/118
D507,894 S *	8/2005	Juneau et al.	D6/393
D509,677 S	9/2005	Juneau et al.	
D520,774 S *	5/2006	Boudreau	D6/393
D521,767 S *	5/2006	Boudreau	D6/393

OTHER PUBLICATIONS

Application of Marc Boudreau, U.S. Appl. No. 29/213,965, filed Sep. 24, 2004.

Application of Marc Boudreau, U.S. Appl. No. 29/214,058, filed Sep. 27, 2004.

* cited by examiner

Primary Examiner—Janice E. Seeger

(74) *Attorney, Agent, or Firm*—SAIDMAN DesignLaw Group

(57) **CLAIM**

The ornamental design for a bed, as shown and described.

DESCRIPTION

FIG. 1 is a front perspective view of a bed showing my new design;

FIG. 2 is a rear perspective view thereof;

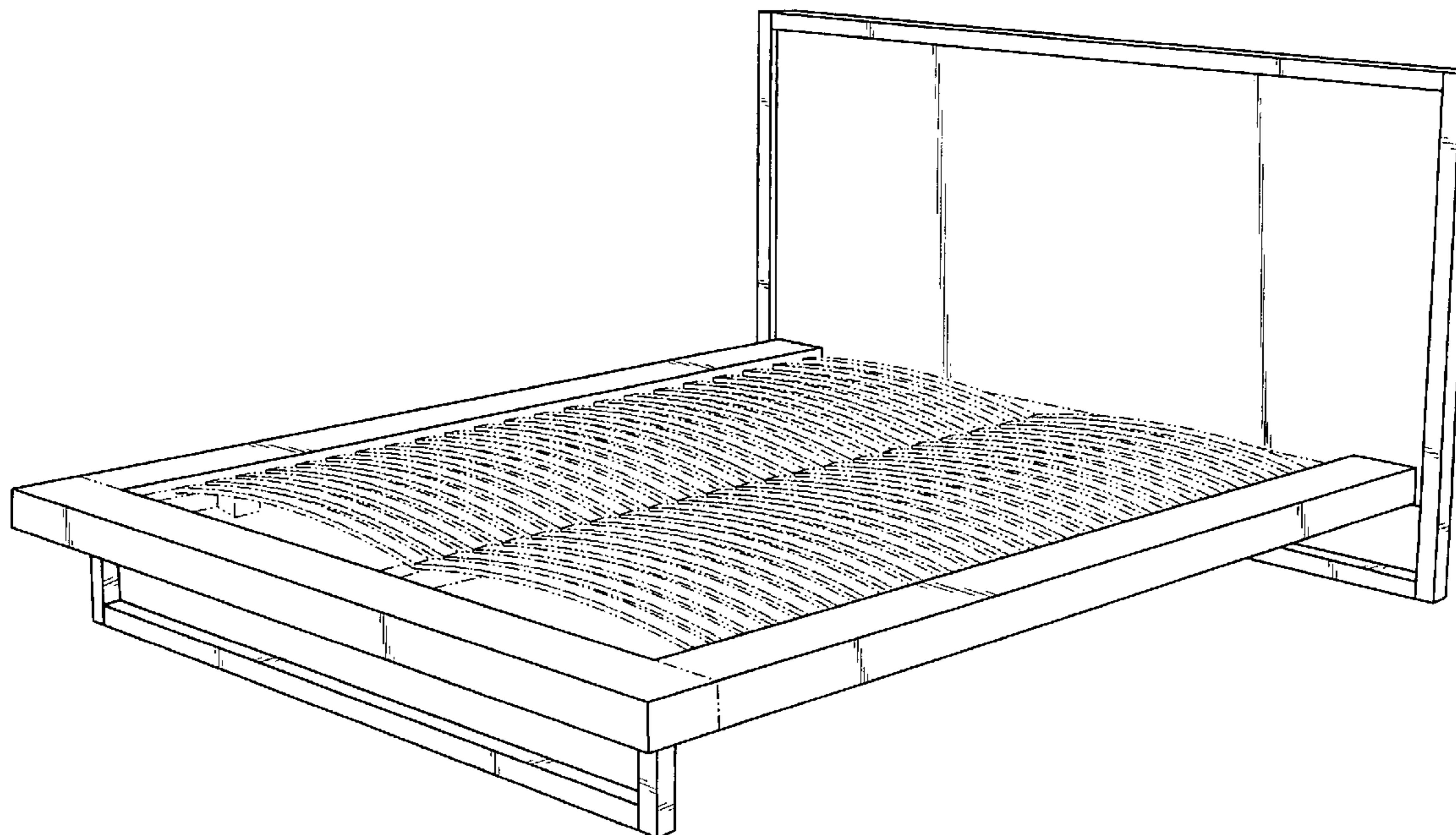
FIG. 3 is a right-side view thereof, the left-side view being a mirror image;

FIG. 4 is a front view thereof; and,

FIG. 5 is a rear view thereof.

The broken line showing of slats, fasteners, and support members in the drawings are illustrative and form no part of the claimed design.

1 Claim, 5 Drawing Sheets



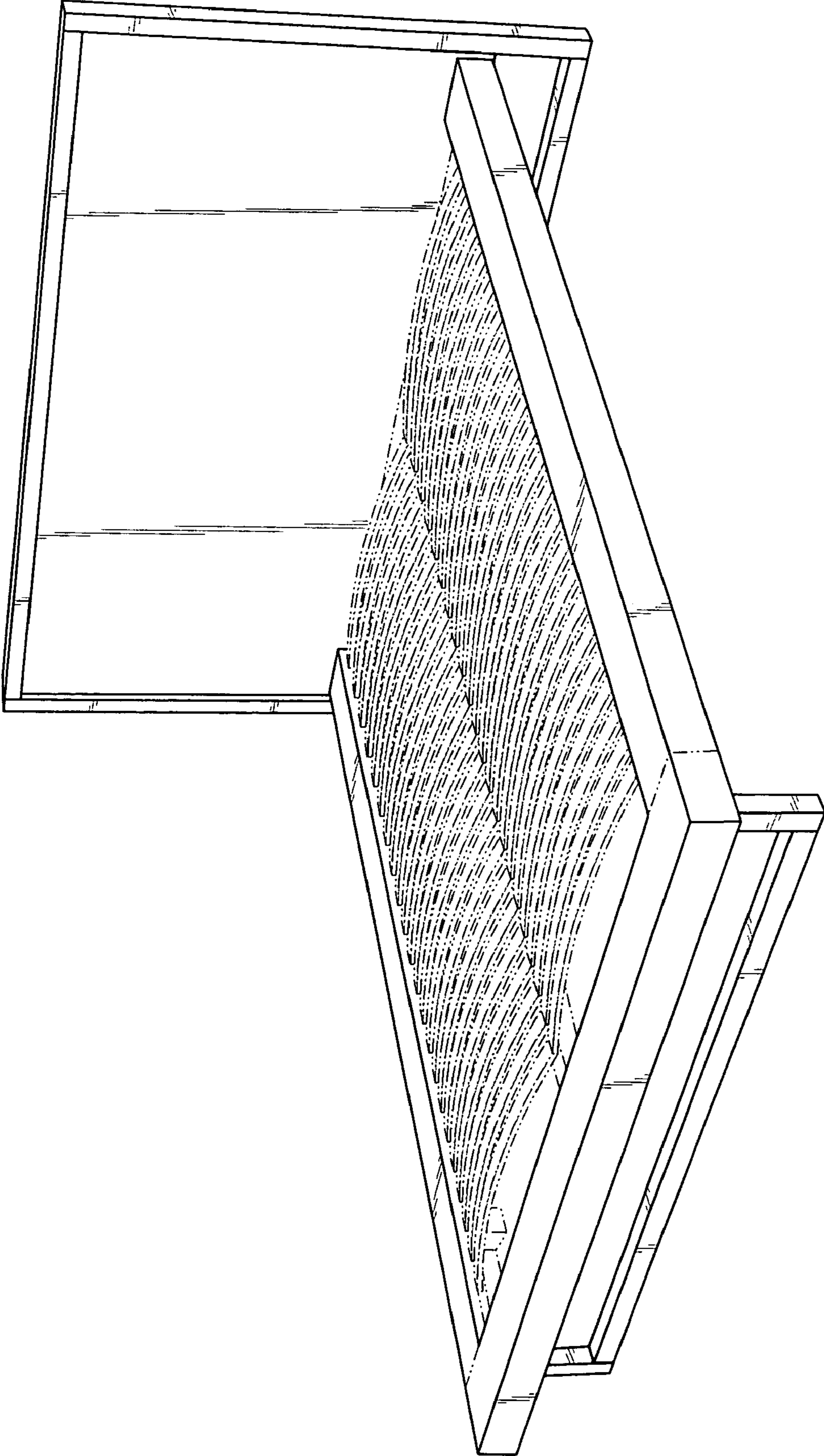


Fig. 1

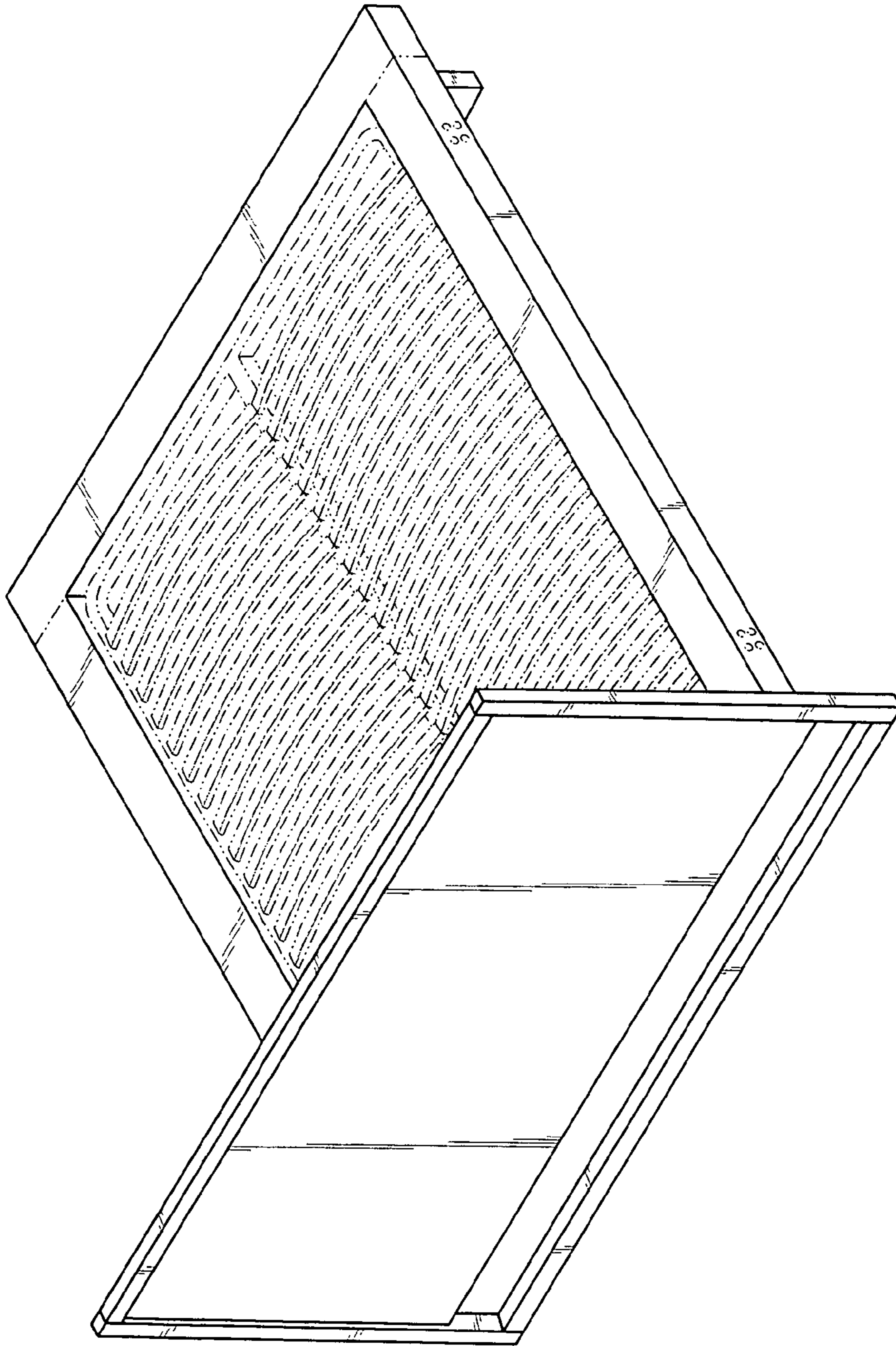


Fig. 2

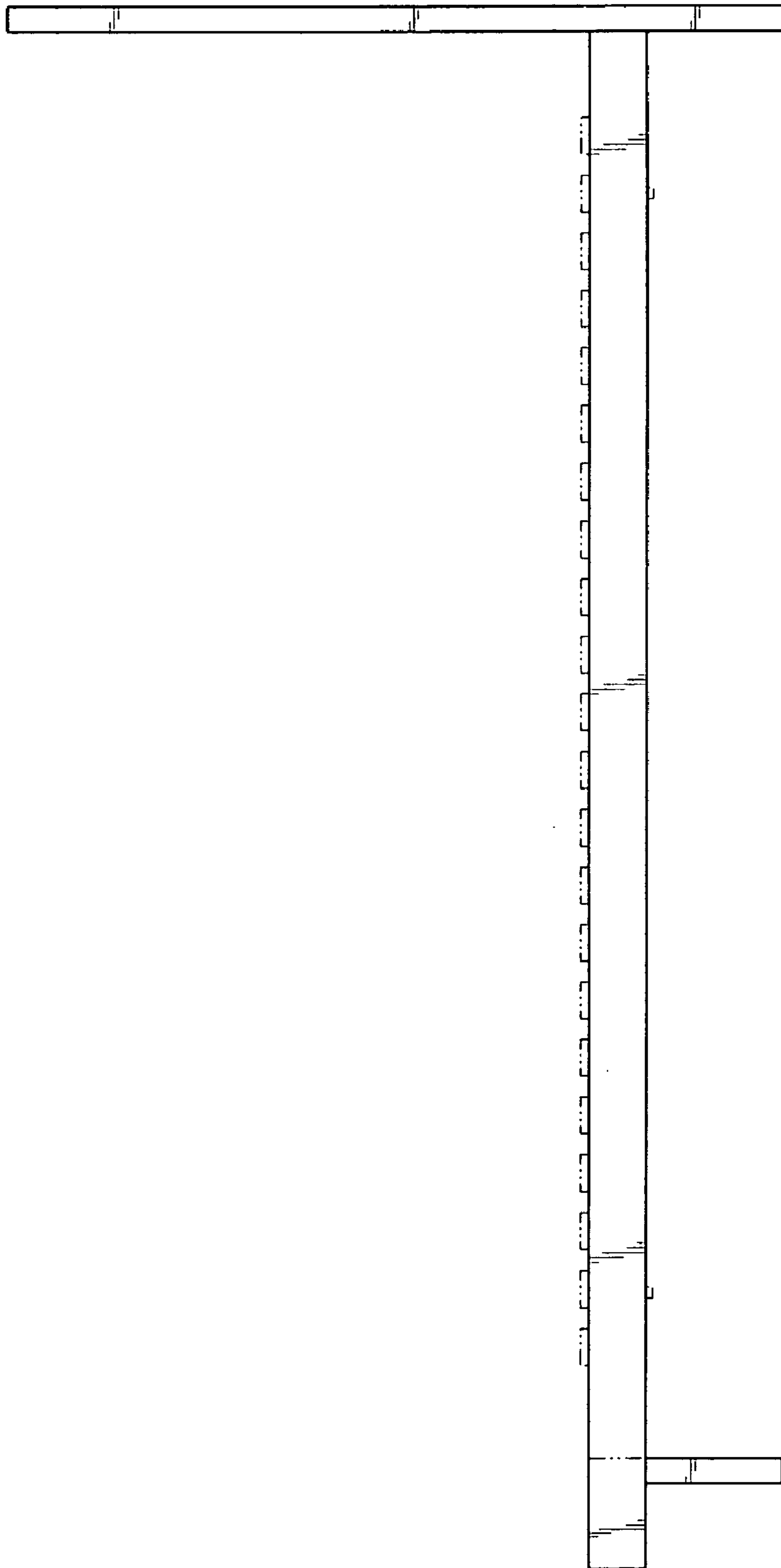


Fig. 3

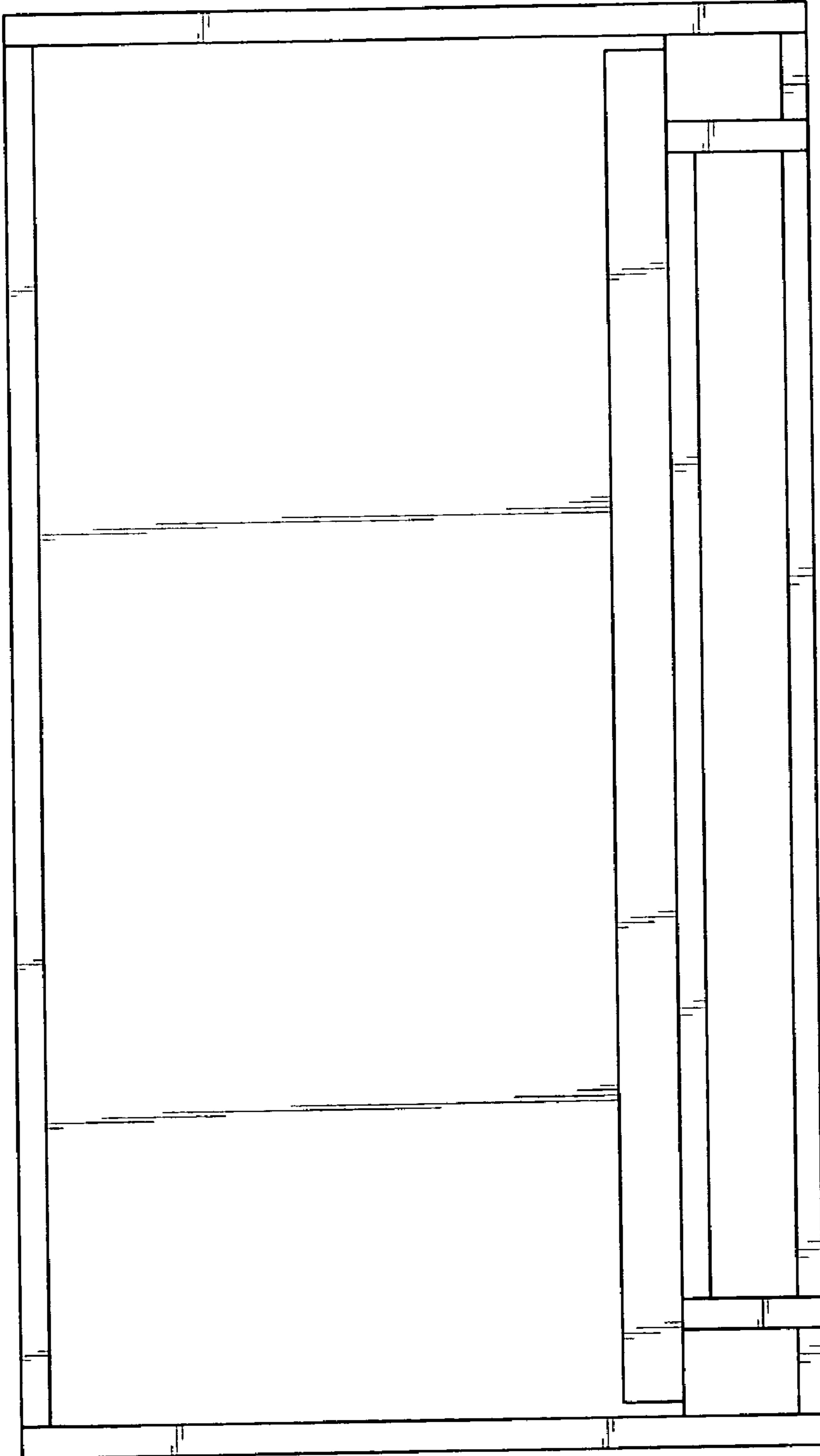


Fig. 4

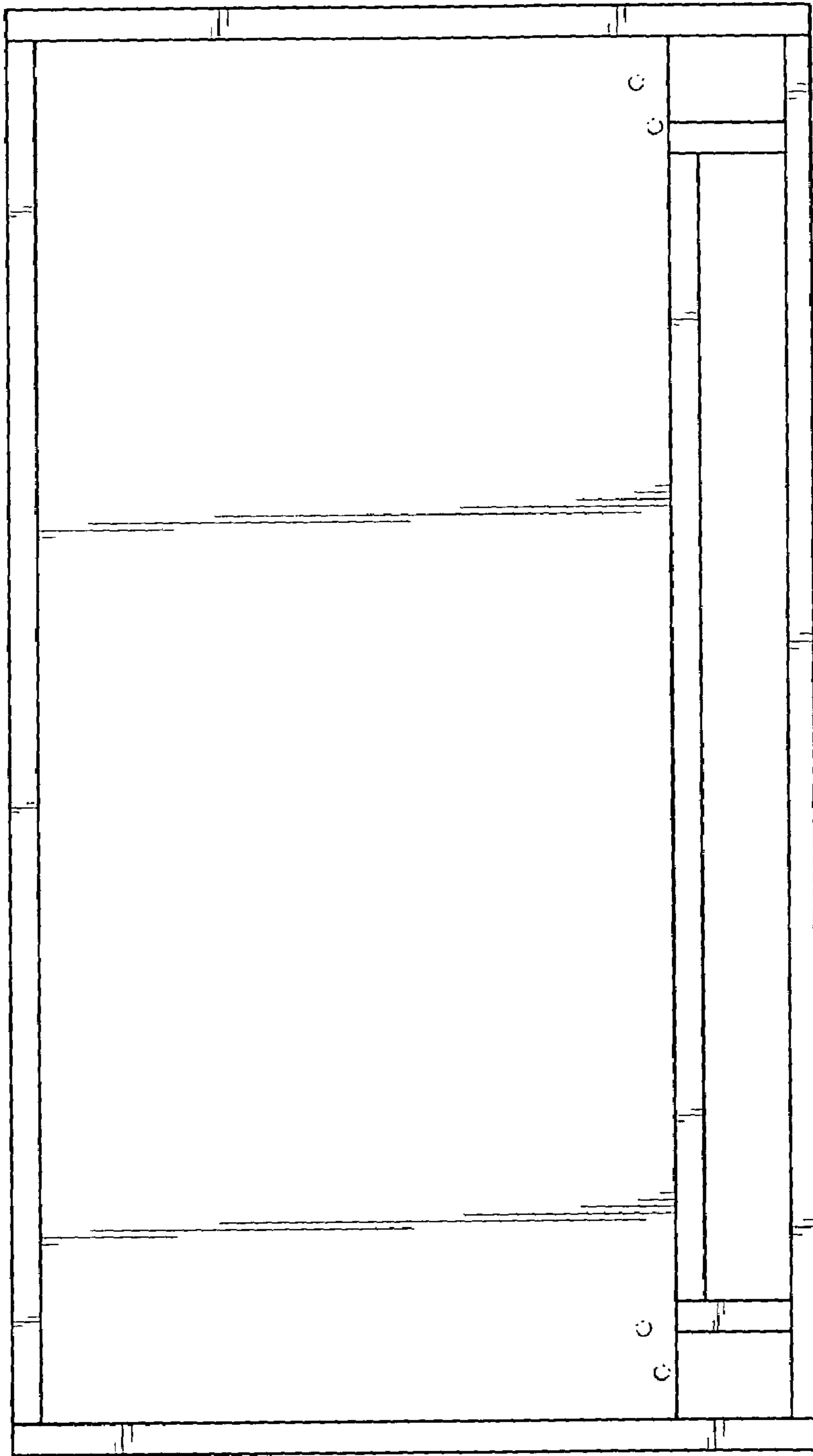


Fig. 5