



US00D546577S

(12) **United States Design Patent**  
**Mohundro**

(10) **Patent No.: US D546,577 S**

(45) **Date of Patent: \*\* \*Jul. 17, 2007**

(54) **POSTER BED**

(76) Inventor: **James Glenn Mohundro**, 3F-4 No.  
161, Kung-I Road., Taichung City (TW)

(\*) Notice: This patent is subject to a terminal disclaimer.

(\*\*) Term: **14 Years**

(21) Appl. No.: **29/229,570**

(22) Filed: **May 10, 2005**

(51) **LOC (8) Cl.** ..... **06-01**

(52) **U.S. Cl.** ..... **D6/393**

(58) **Field of Classification Search** ..... D6/382-384,  
D6/388, 393-395, 505-508; 5/53.1, 907,  
5/279.1, 280, 281

See application file for complete search history.

(56) **References Cited**

**U.S. PATENT DOCUMENTS**

D99,520 S \* 5/1936 Pumphrey ..... D6/505  
D353,950 S \* 1/1995 Ferguson ..... D6/393

D404,217 S \* 1/1999 Zaidman et al. .... D6/393  
D482,899 S \* 12/2003 Paus ..... D6/393  
D509,086 S \* 9/2005 Mohundro ..... D6/505  
D511,428 S \* 11/2005 Mohundro ..... D6/505  
D516,339 S \* 3/2006 Mohundro ..... D6/393

\* cited by examiner

*Primary Examiner*—Janice E. Seeger

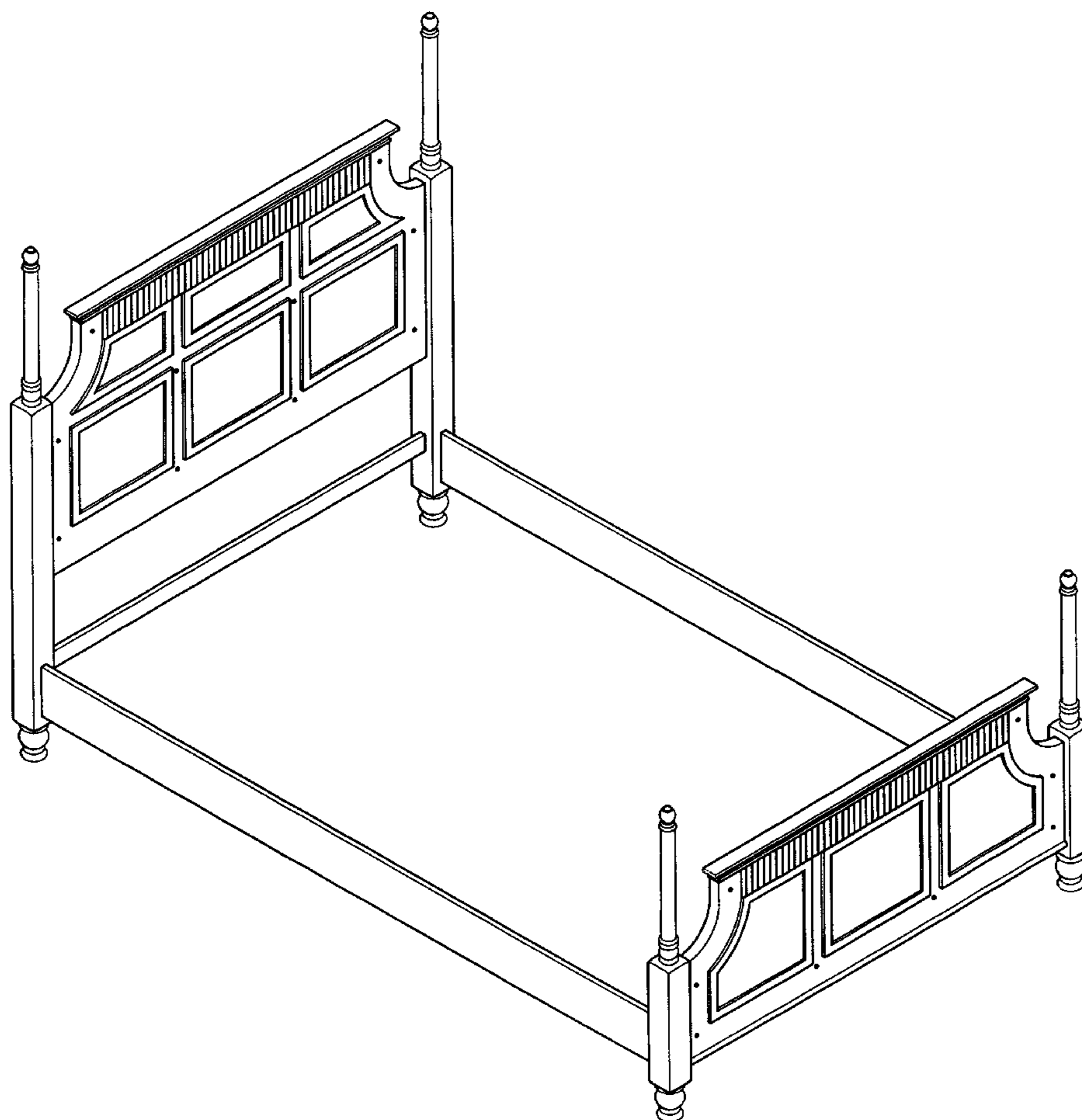
(57) **CLAIM**

The ornamental design for a poster bed, as shown and described.

**DESCRIPTION**

FIG. 1 is a perspective view of a poster bed, showing my new design;  
FIG. 2 is a front elevational view thereof;  
FIG. 3 is a rear elevational view thereof;  
FIG. 4 is a left elevational view thereof;  
FIG. 5 is a right elevational view thereof;  
FIG. 6 is a top plan view thereof; and,  
FIG. 7 is a bottom plan view thereof.

**1 Claim, 7 Drawing Sheets**



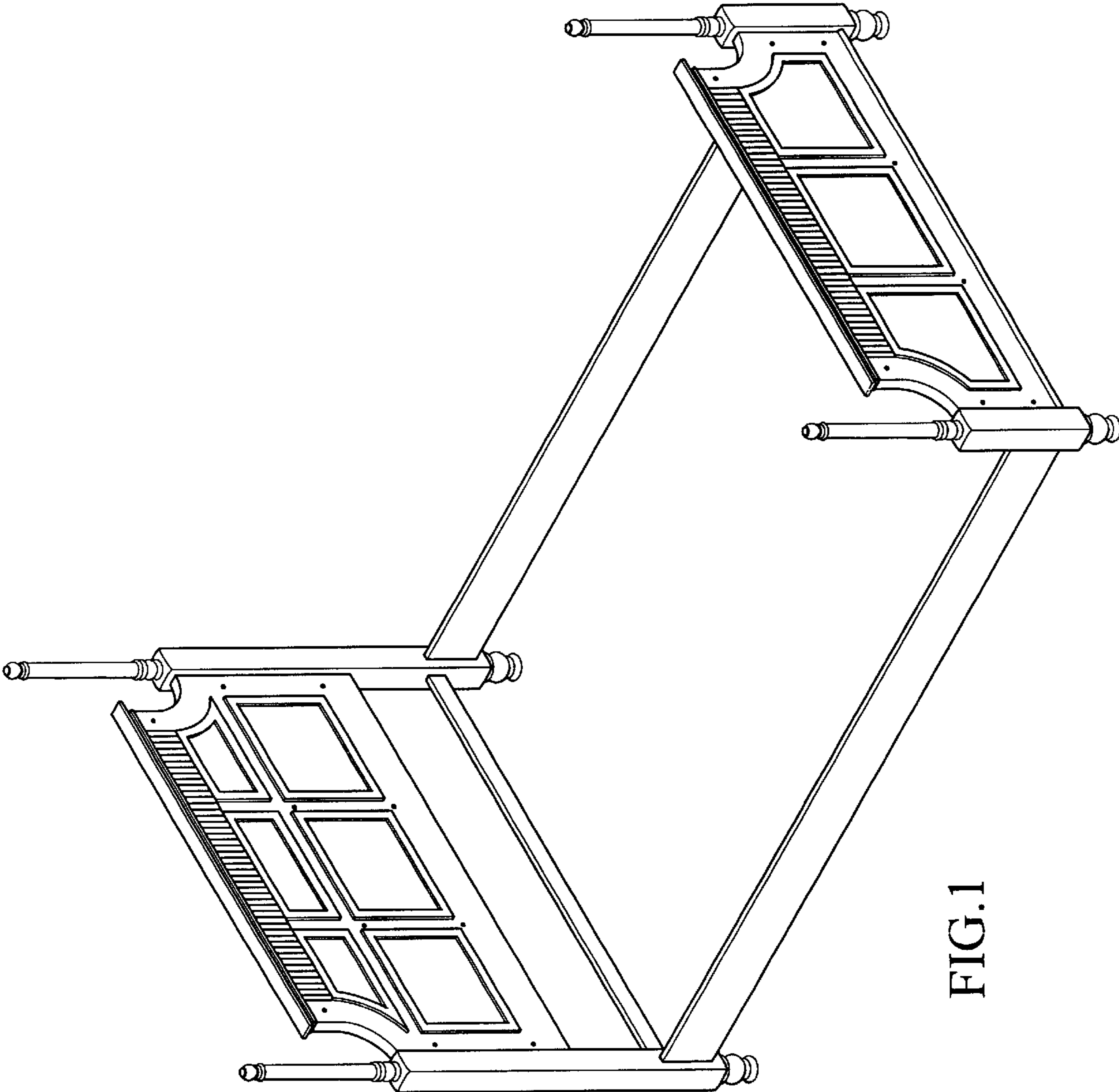


FIG.1

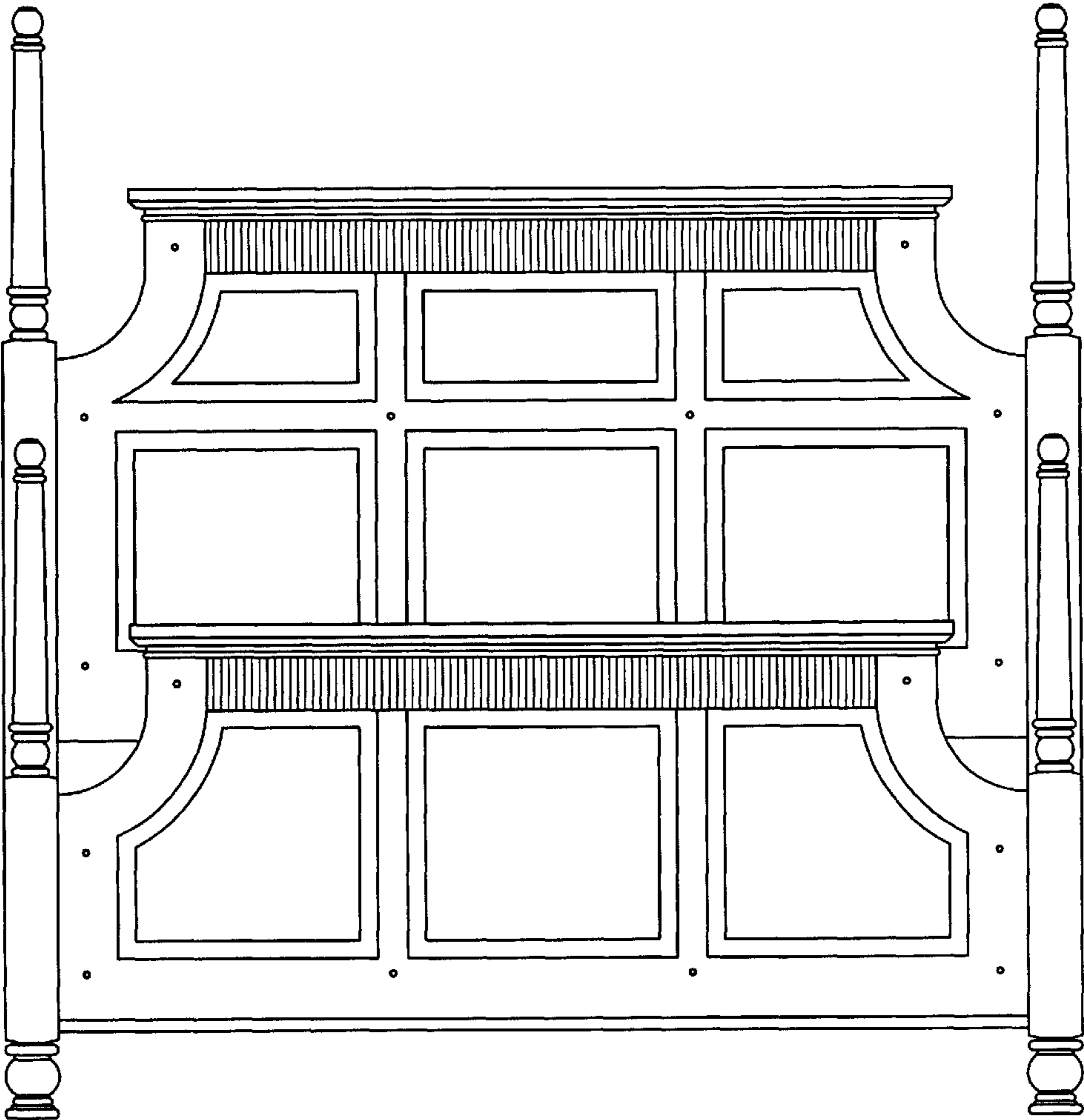


FIG.2

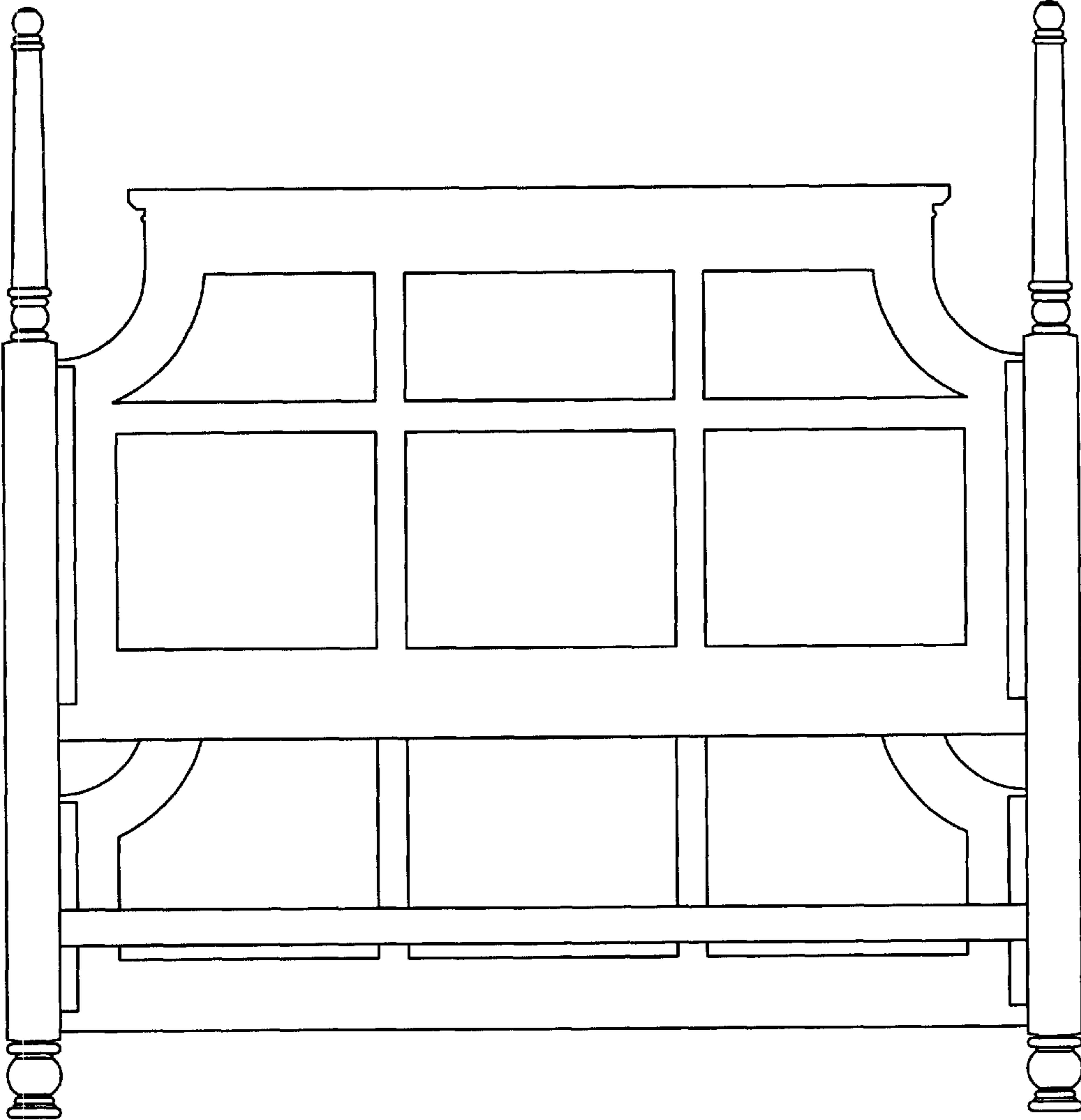


FIG.3

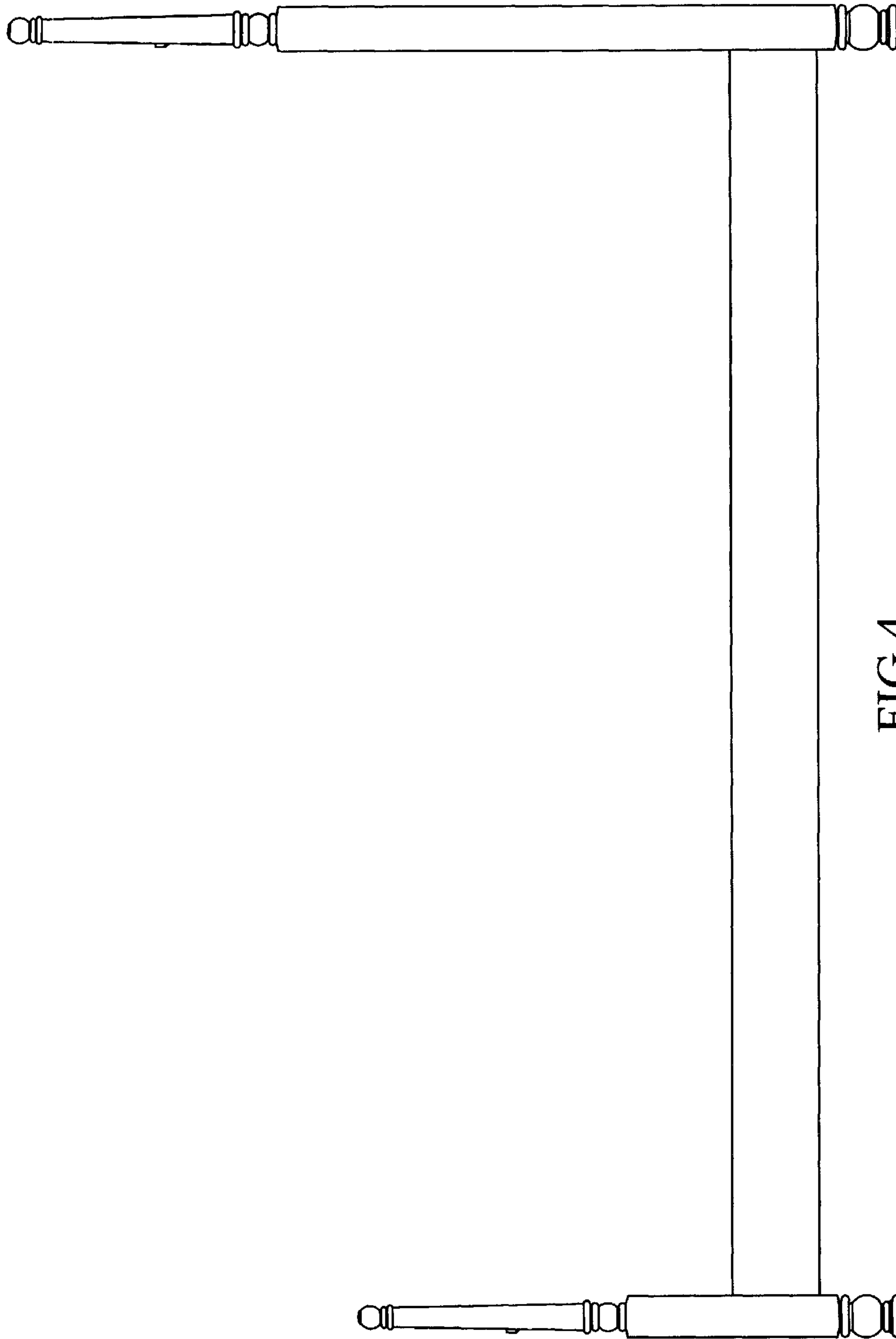


FIG.4

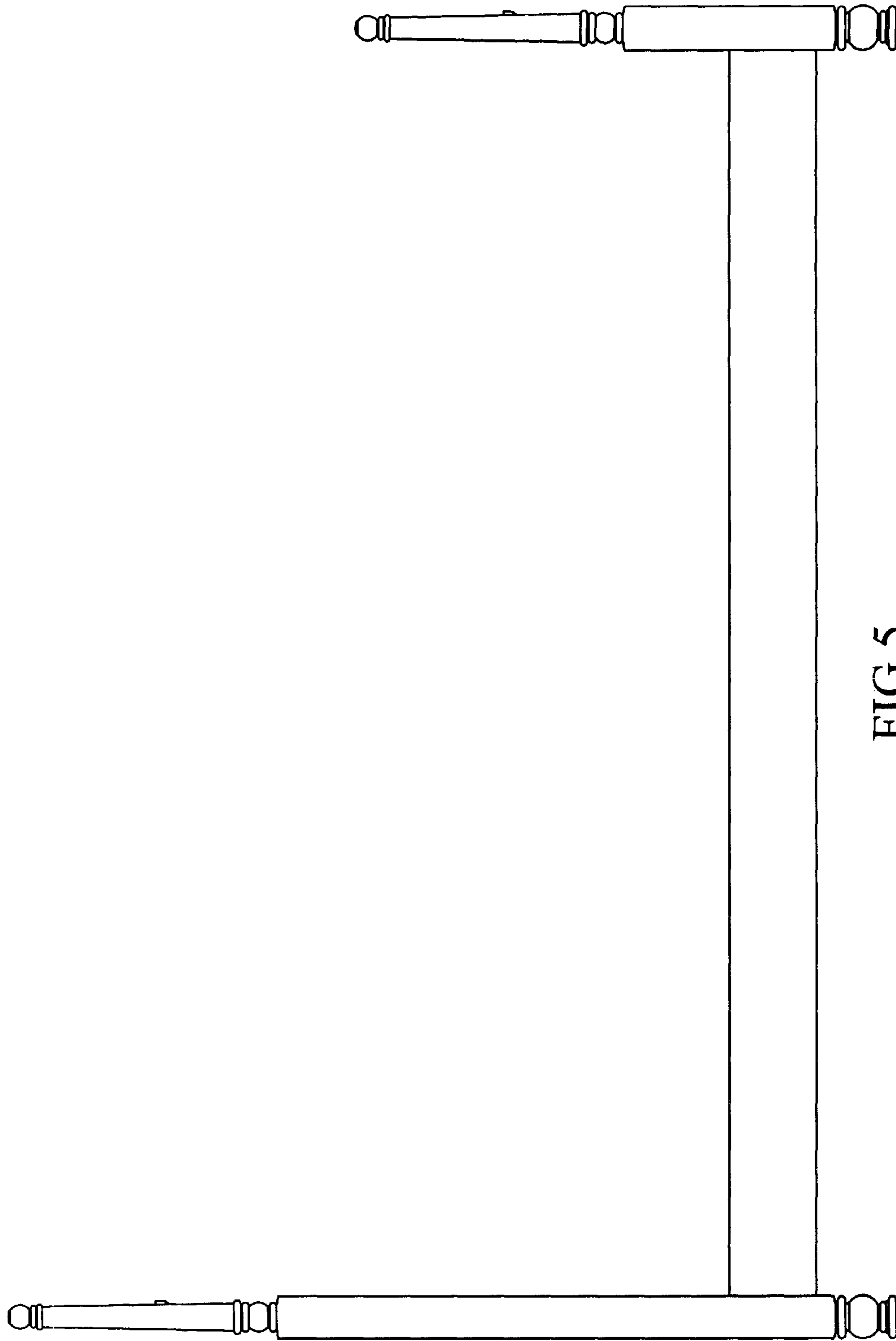


FIG. 5

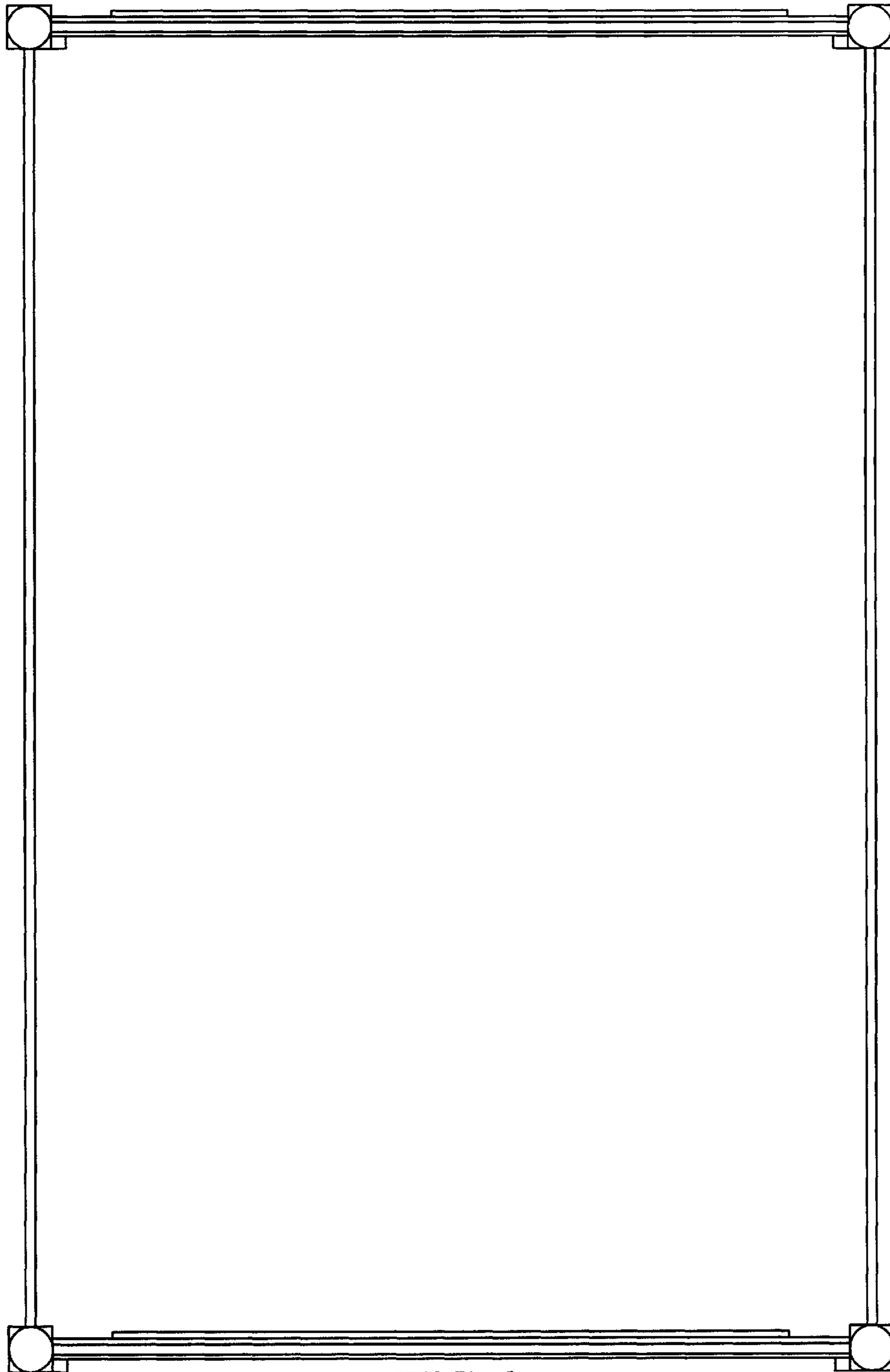


FIG.6

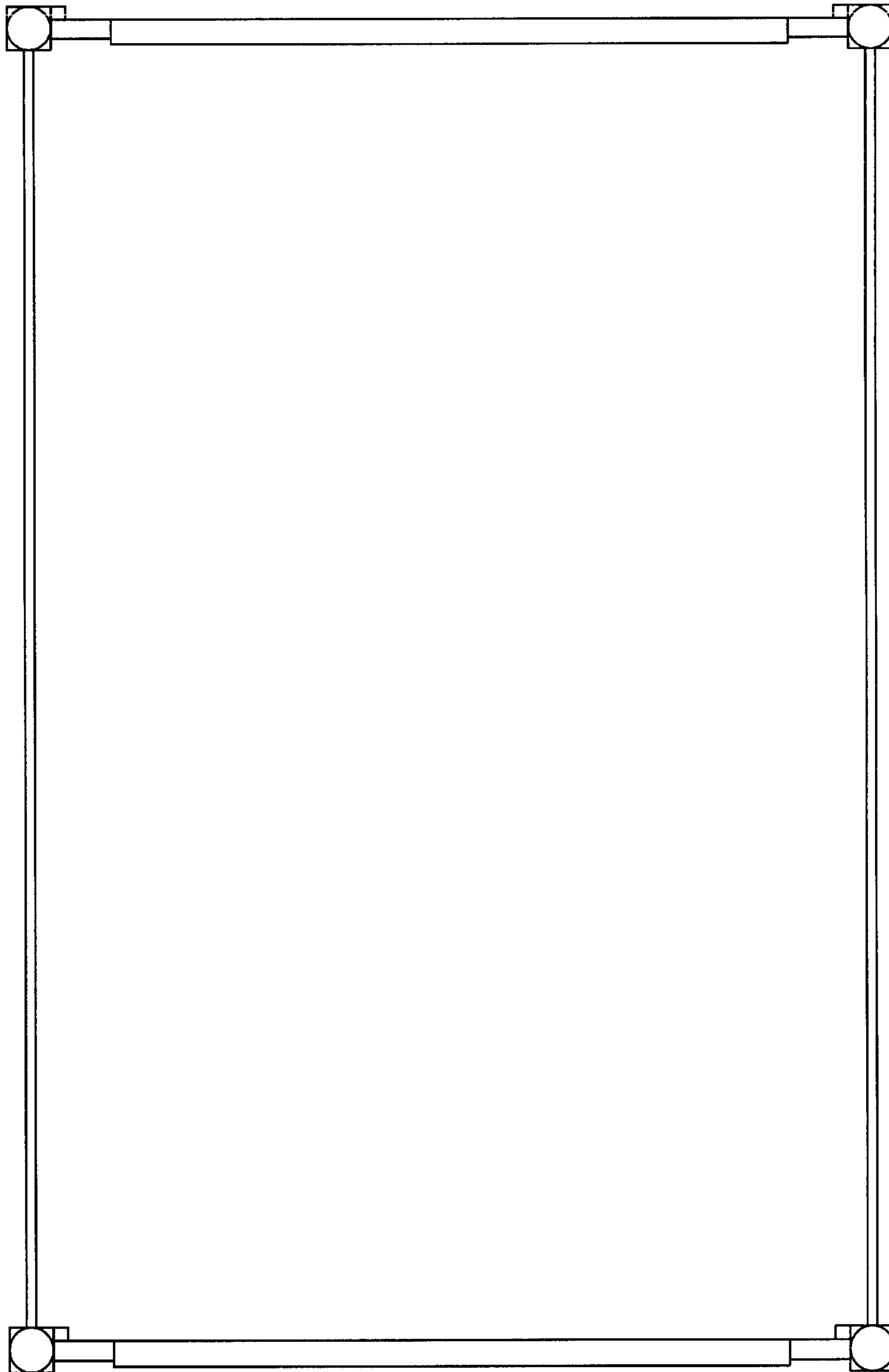


FIG.7