

US00D546576S

(12) **United States Design Patent**
Grabé

(10) **Patent No.:** **US D546,576 S**

(45) **Date of Patent:** **** Jul. 17, 2007**

(54) **SOFA**

(76) **Inventor:** **Christopher K. Grabé**, 88 Greenwich St., Apt. 2102, New York City, NY (US) 10006

(**) **Term:** **14 Years**

(21) **Appl. No.:** **29/253,505**

(22) **Filed:** **Feb. 6, 2006**

(51) **LOC (8) Cl.** **06-01**

(52) **U.S. Cl.** **D6/381**

(58) **Field of Classification Search** D6/334, D6/370, 374, 379–381, 500–502; 297/445.1, 297/446.1; 5/12.1

See application file for complete search history.

(56) **References Cited**

U.S. PATENT DOCUMENTS

D166,463 S *	4/1952	Goulart	D6/336
D270,314 S *	8/1983	Helland	D6/381
D289,710 S *	5/1987	Holl et al.	D6/381
D291,847 S *	9/1987	Salvati	D6/381
D310,143 S *	8/1990	Hopfer	D6/381
D338,349 S *	8/1993	Warnock	D6/381
D367,566 S *	3/1996	Walters et al.	D6/381
D394,561 S *	5/1998	Oltmans	D6/381
D427,445 S *	7/2000	Gomez	D6/377
D431,381 S *	10/2000	Gomez	D6/361
D484,713 S *	1/2004	Gomez	D6/381
D520,770 S *	5/2006	Nastri	D6/381

D534,007 S * 12/2006 Nicoletti D6/381

* cited by examiner

Primary Examiner—Sandra Snapp

(74) *Attorney, Agent, or Firm*—Bryan Cave LLP; Allan W. Watts

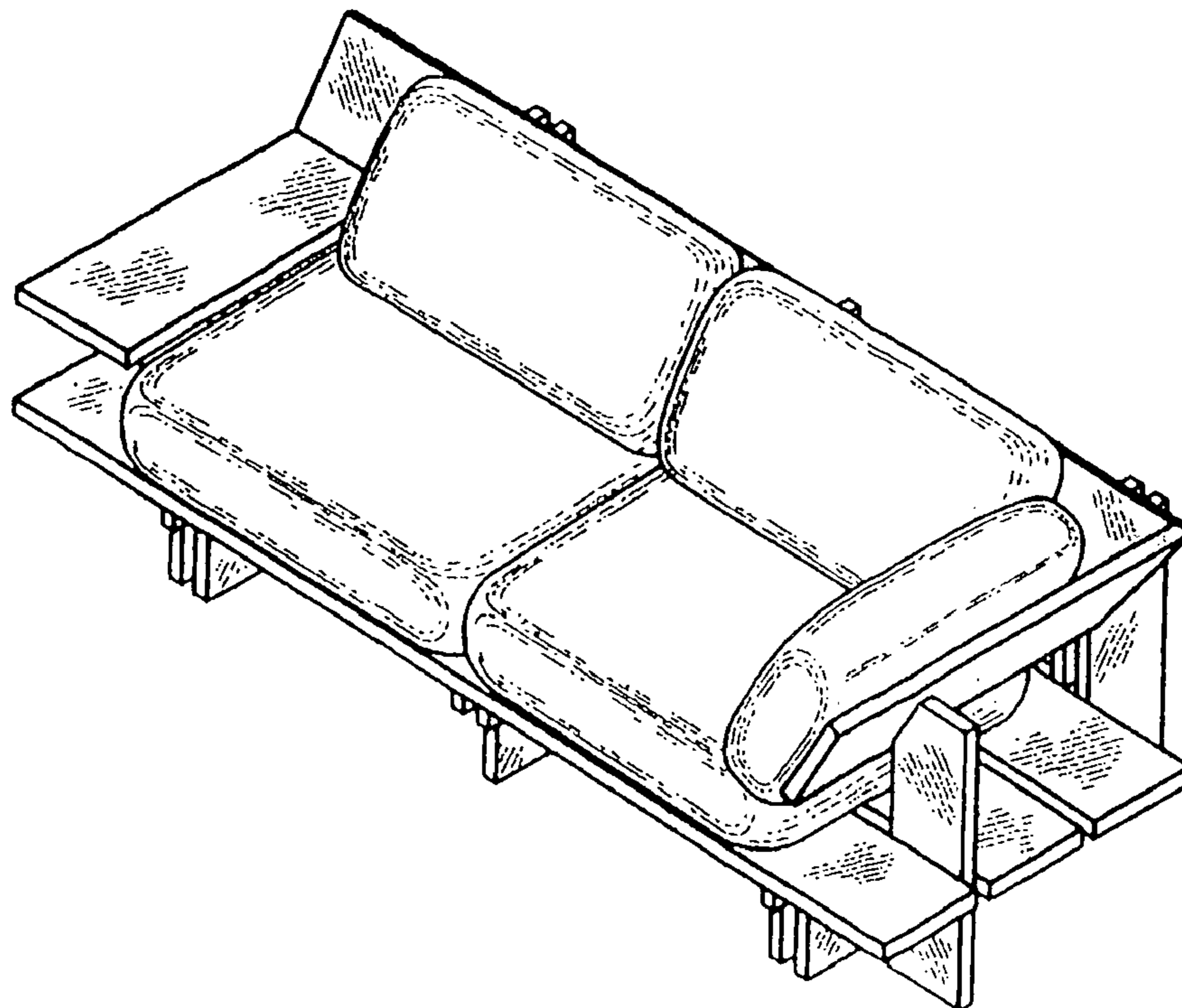
(57) **CLAIM**

I claim the ornamental design for the sofa, as shown and described.

DESCRIPTION

FIG. 1 is a front elevational view of a sofa;
 FIG. 2 is a rear elevational view thereof;
 FIG. 3 is a left side elevational view thereof;
 FIG. 4 is a right side elevational view thereof;
 FIG. 5 is a bottom plan view thereof;
 FIG. 6 is a top plan view thereof;
 FIG. 7 is an isometric view of the sofa from the front, top, and left side;
 FIG. 8 is an isometric view of the sofa from the front, top, and right side;
 FIG. 9 is an isometric view of the sofa from the rear, top, and right side;
 FIG. 10 is an isometric view of the sofa from the front, top, and right side, shown without the cushions; and,
 FIG. 11 is an isometric view of the sofa from the rear, top, and right side, shown without the cushions.

1 Claim, 6 Drawing Sheets



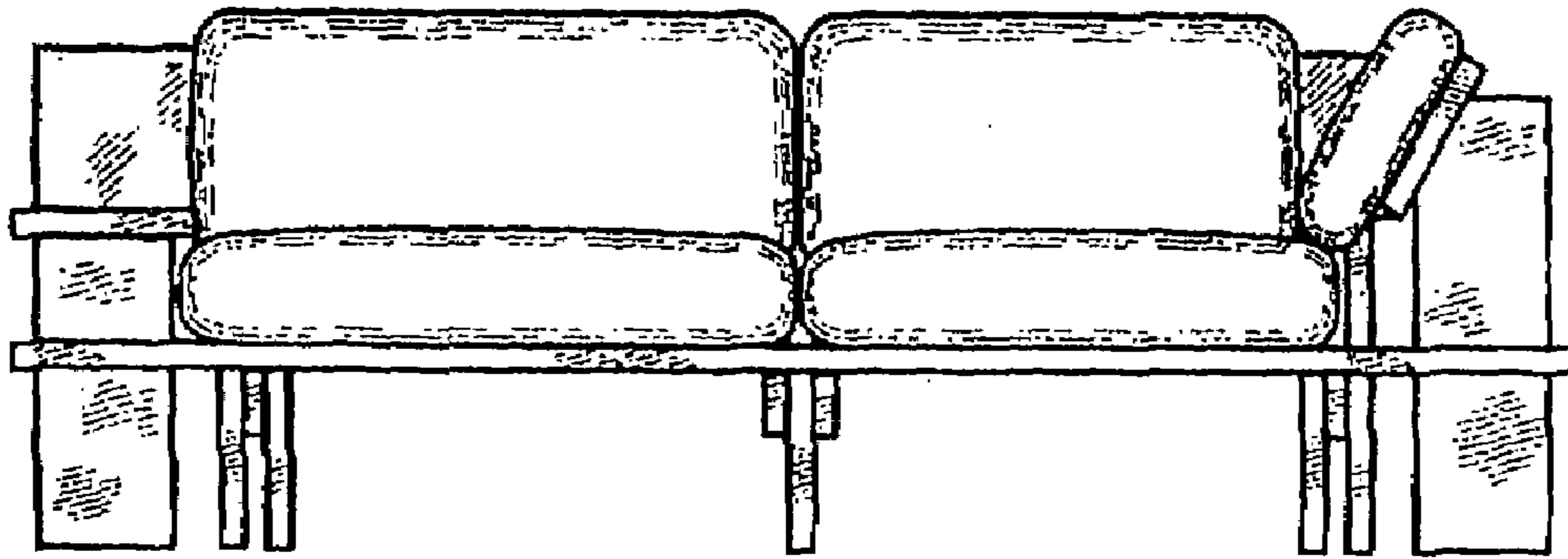


Fig. 1

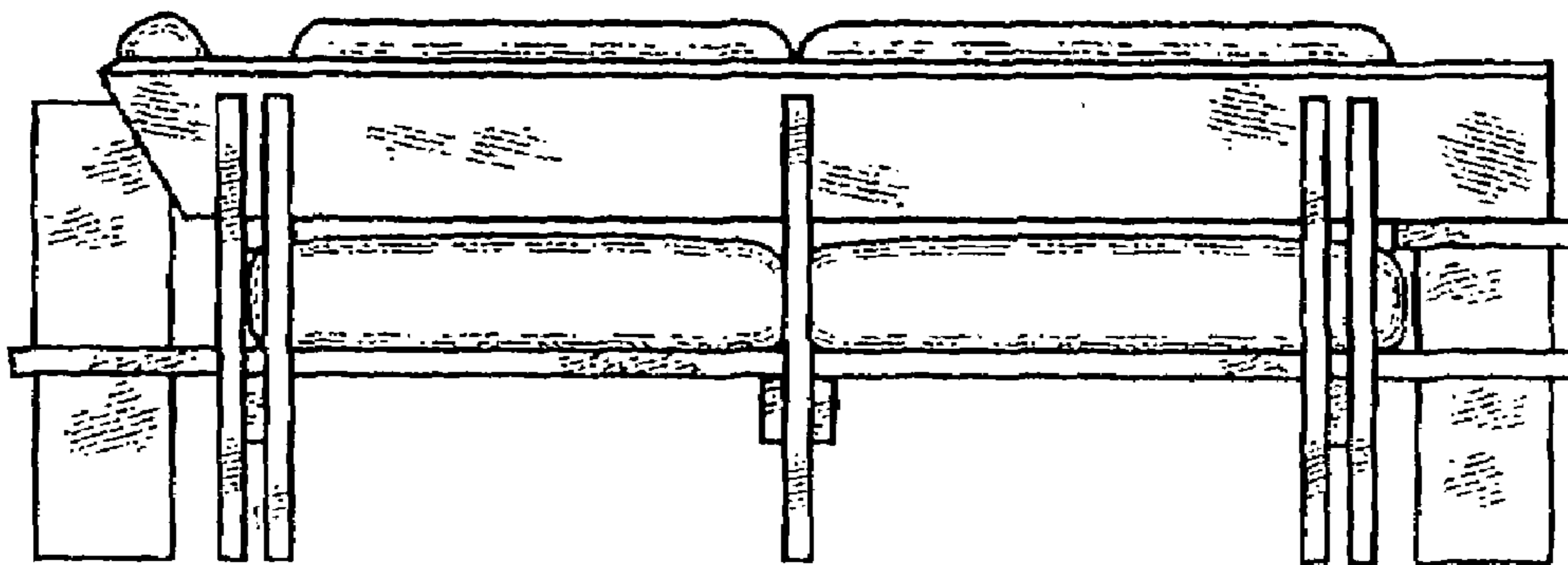


Fig. 2

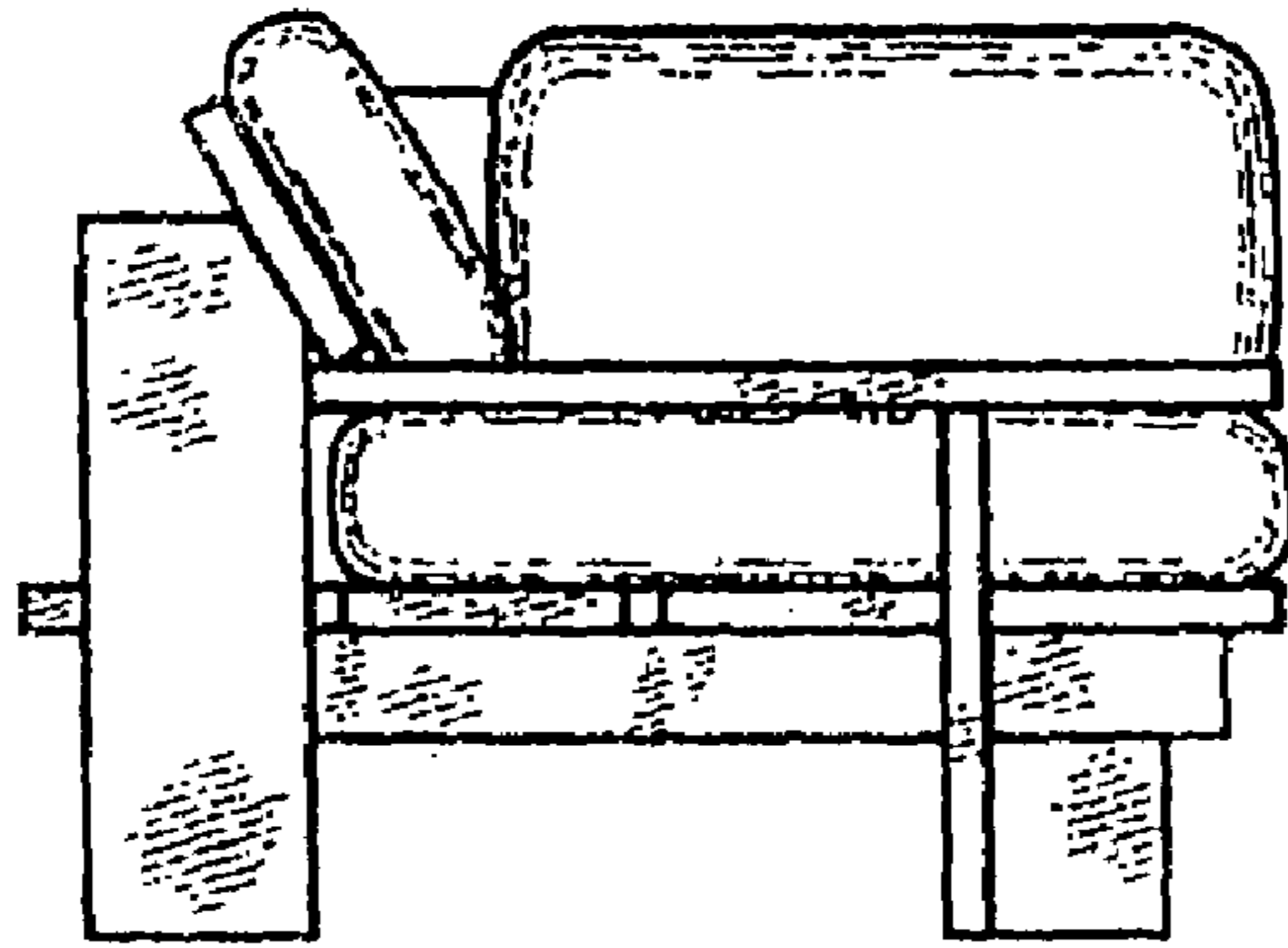


Fig. 3

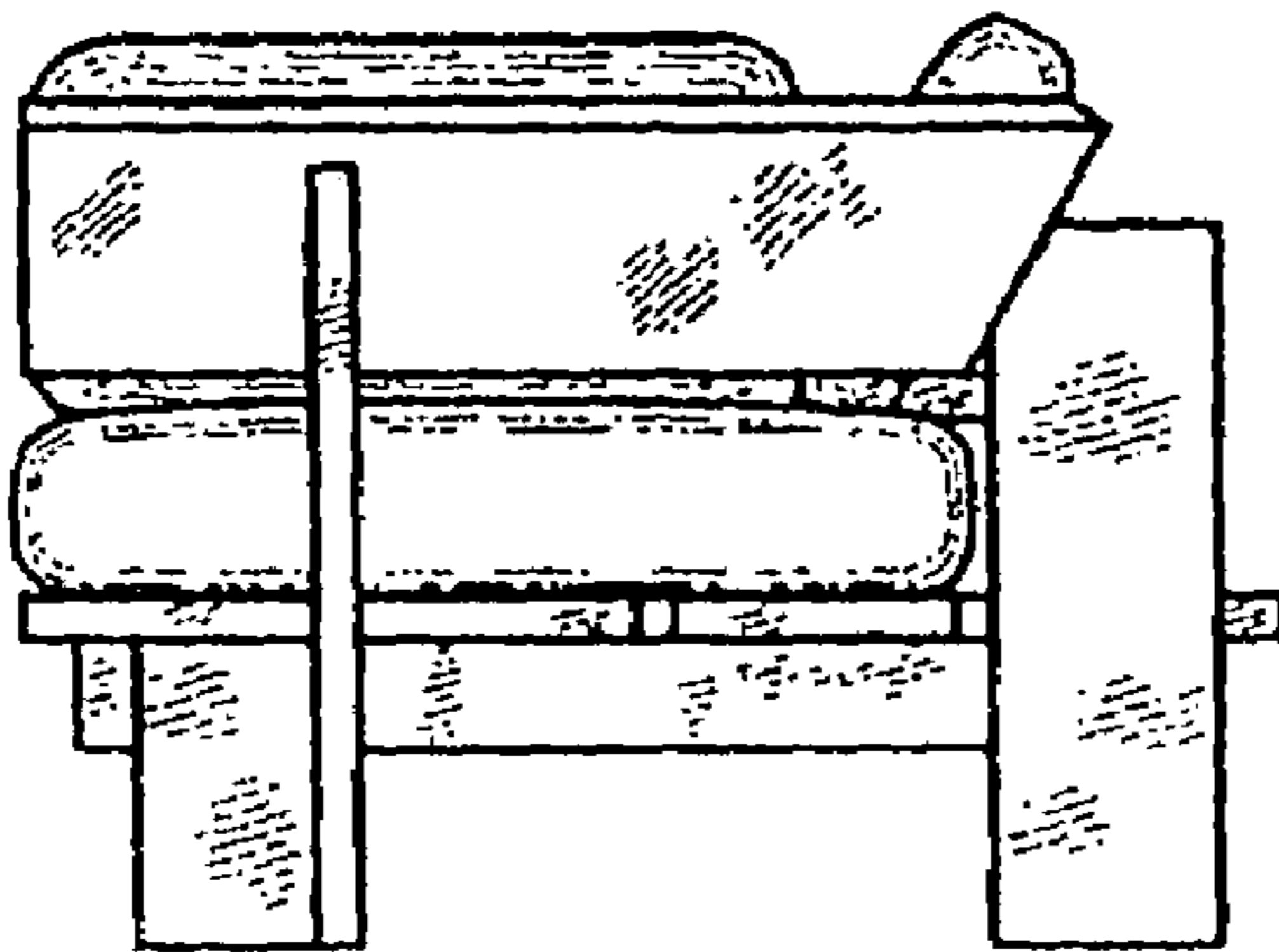


Fig. 4

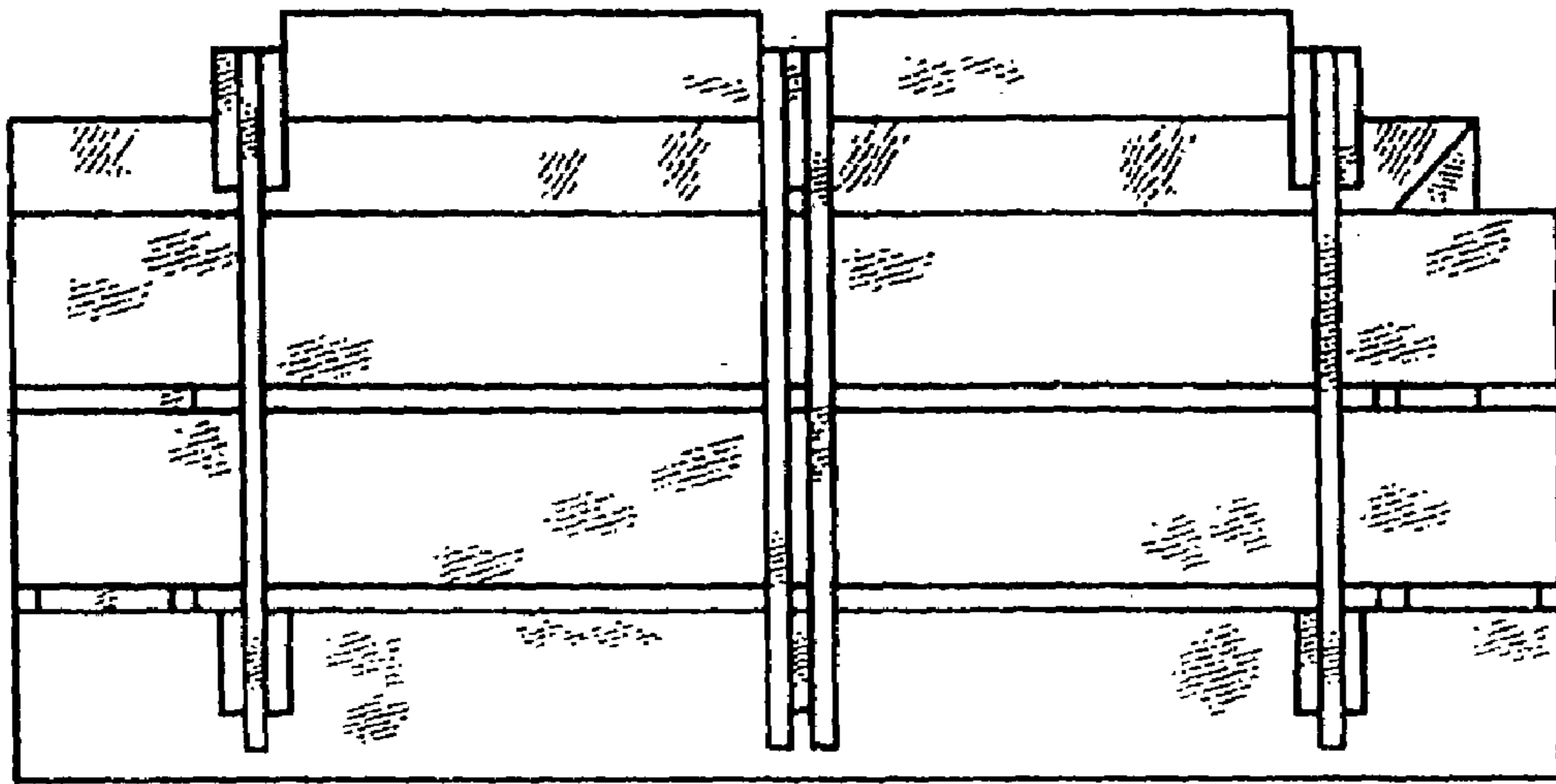


Fig. 5

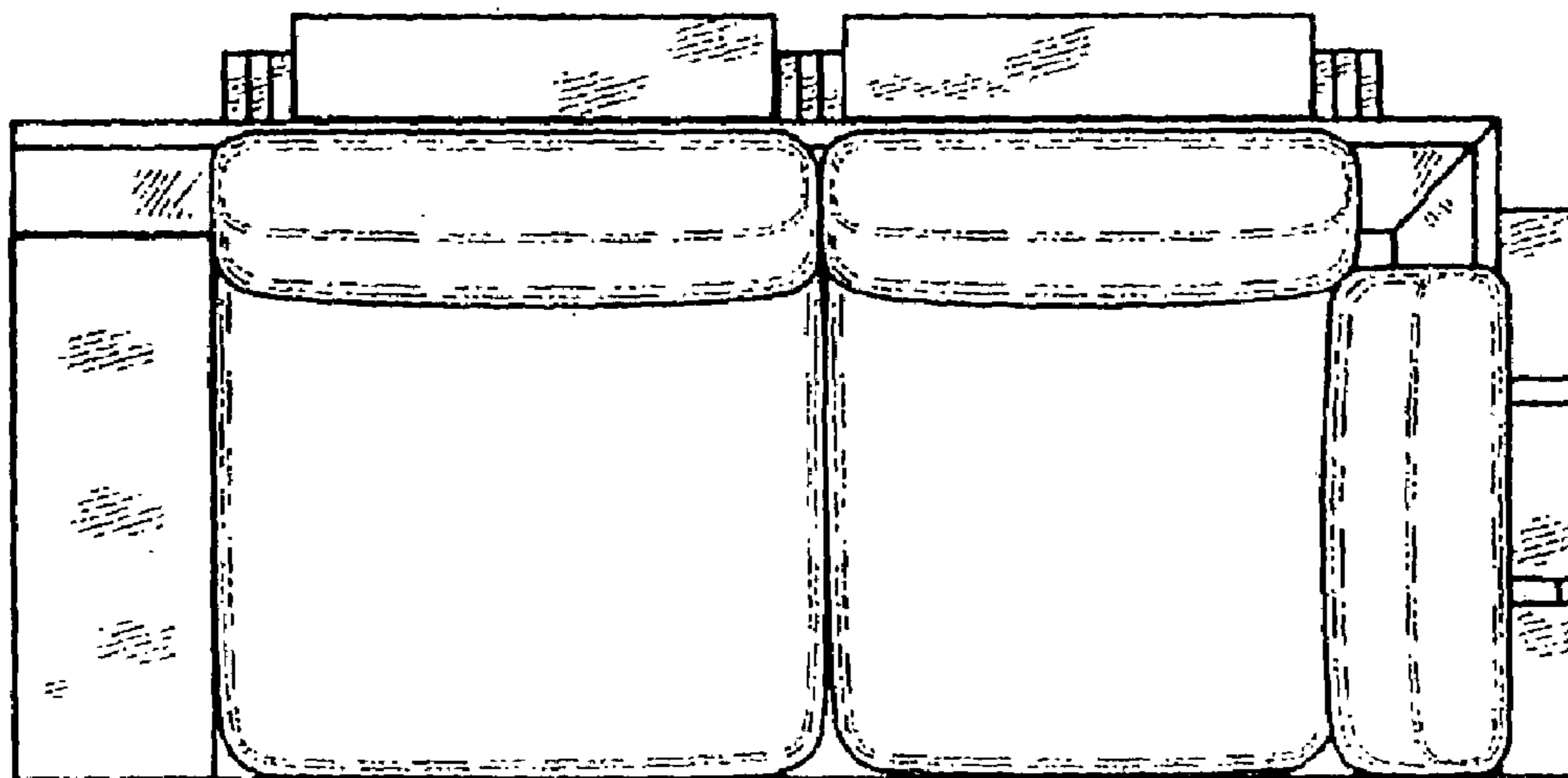


Fig. 6

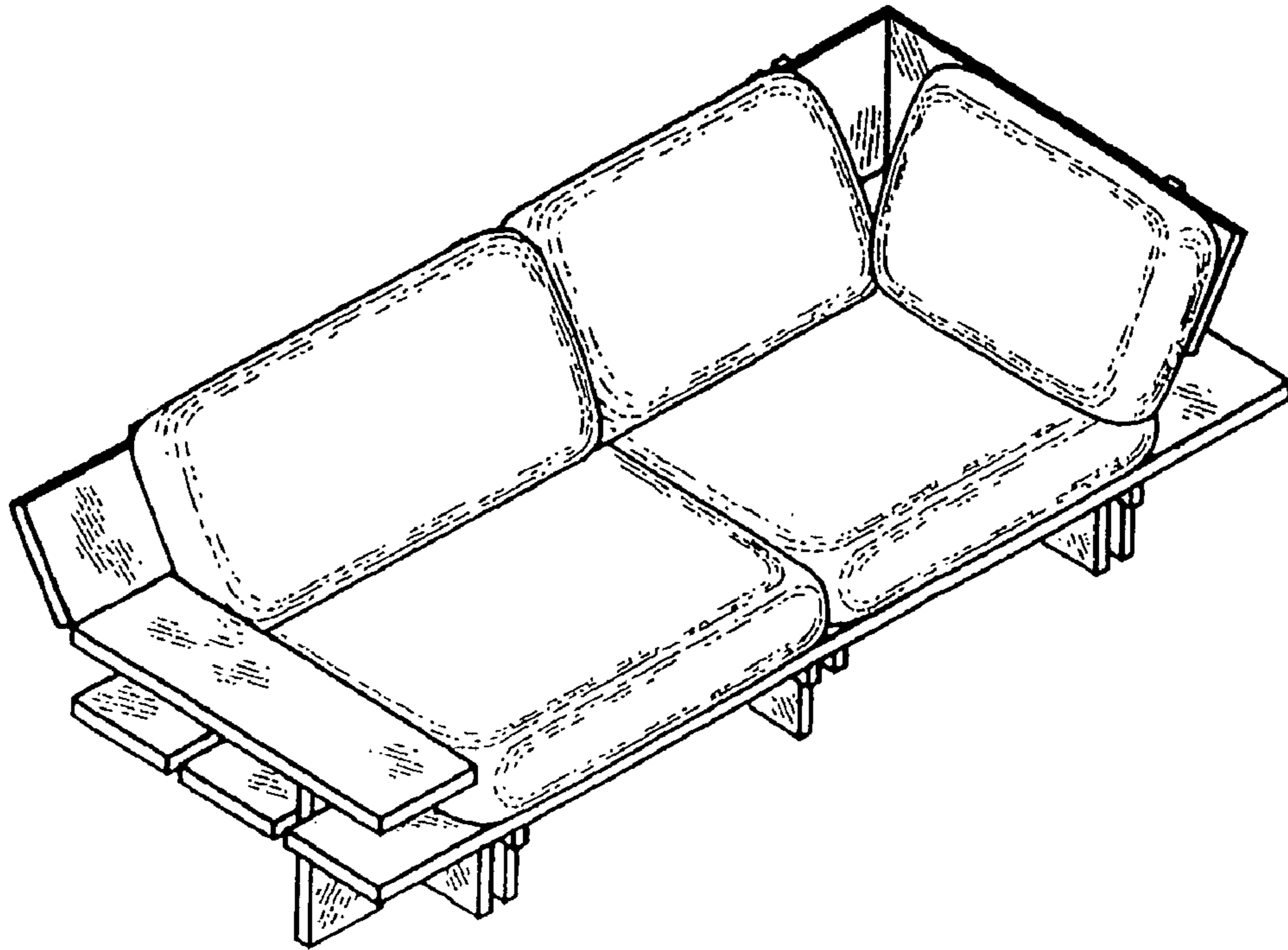


Fig. 7

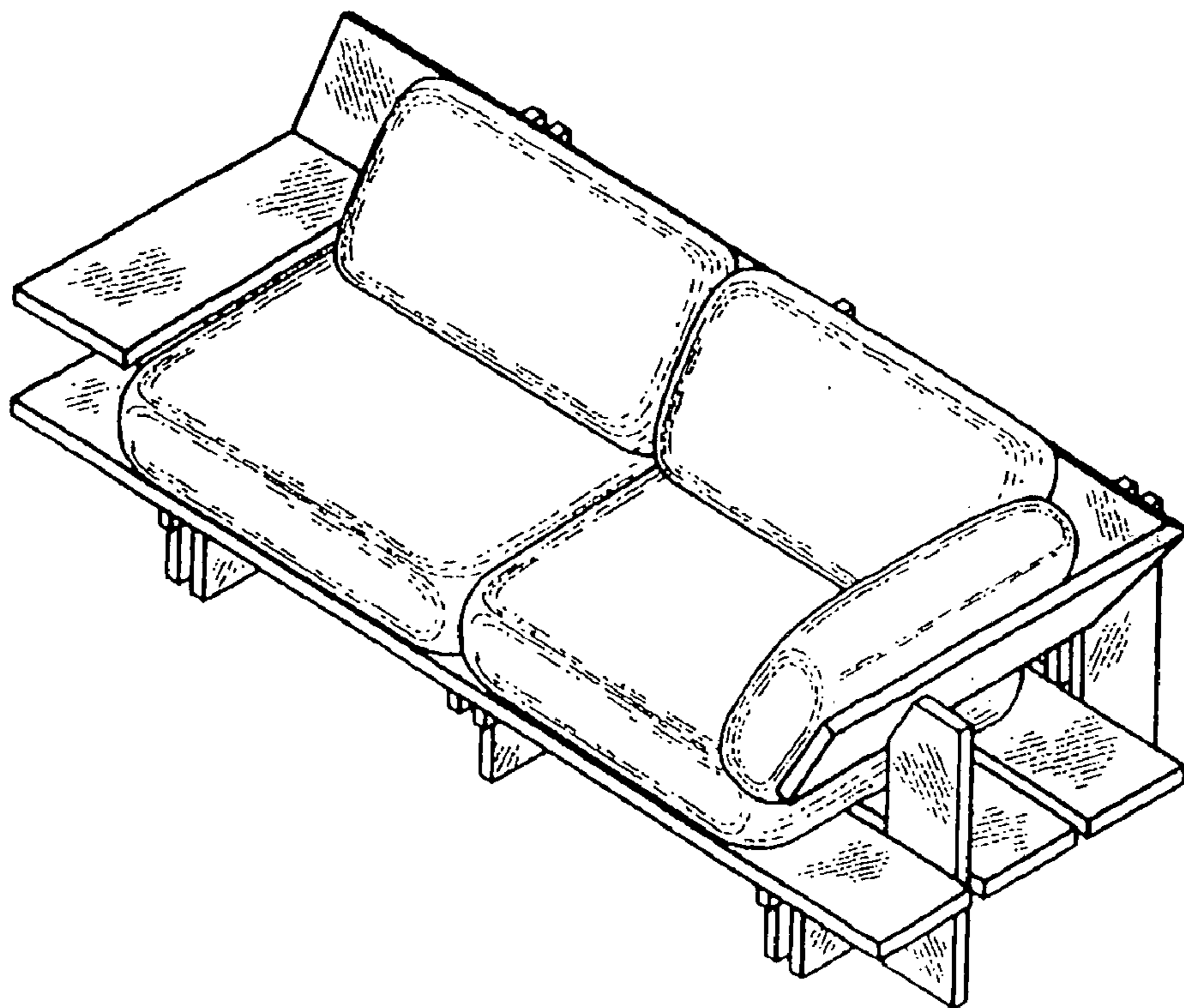


Fig. 8

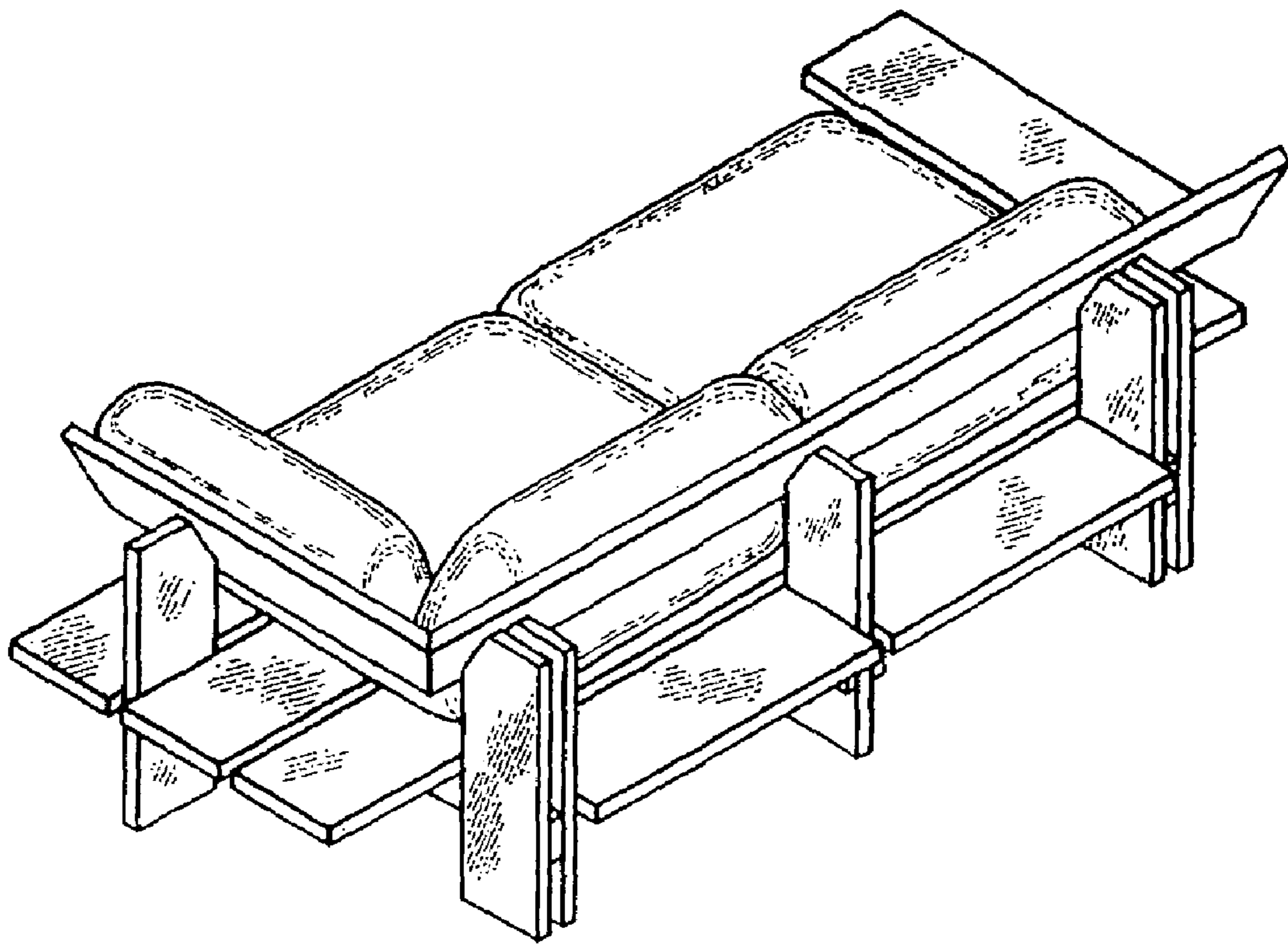


Fig. 9

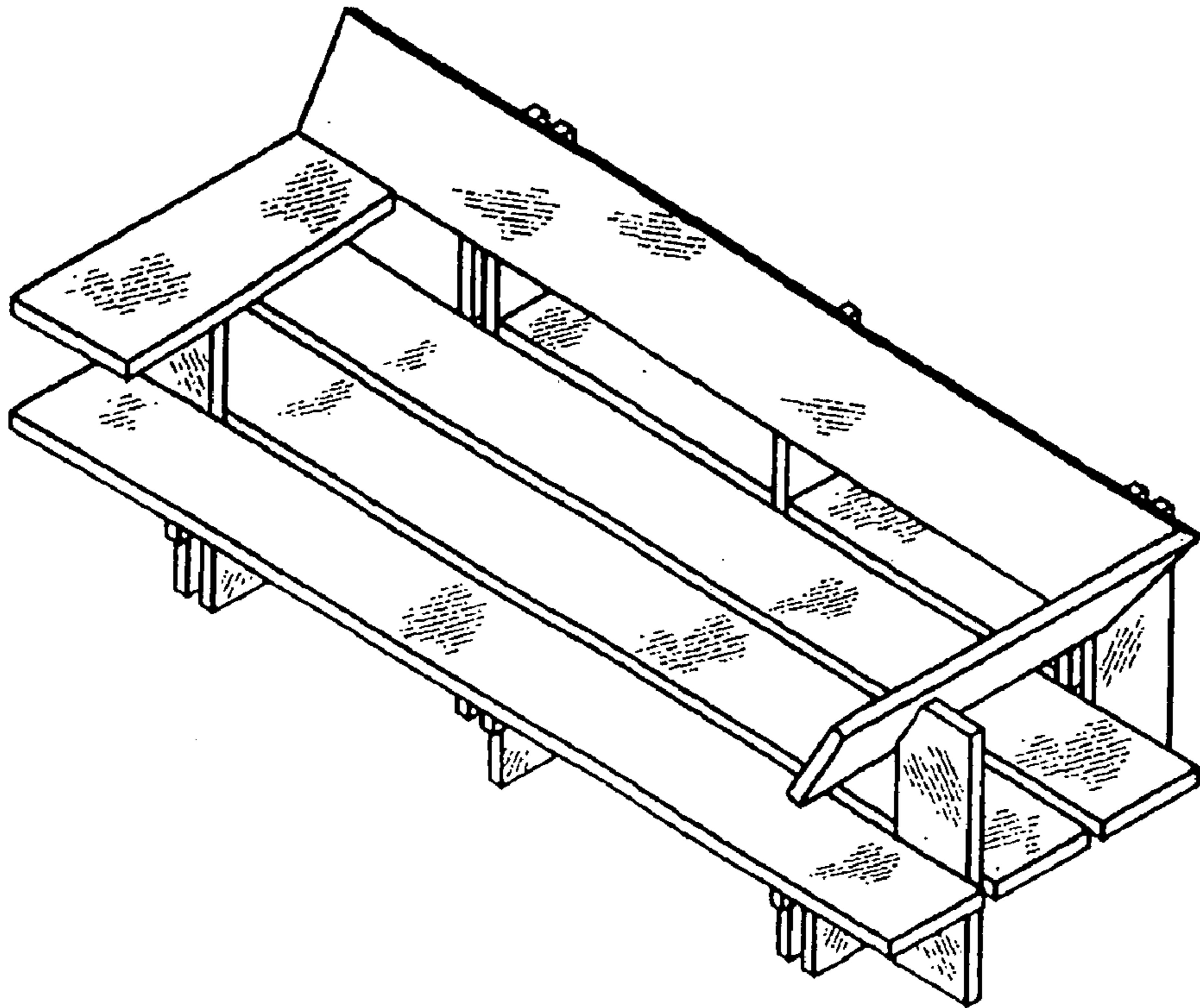


Fig. 10

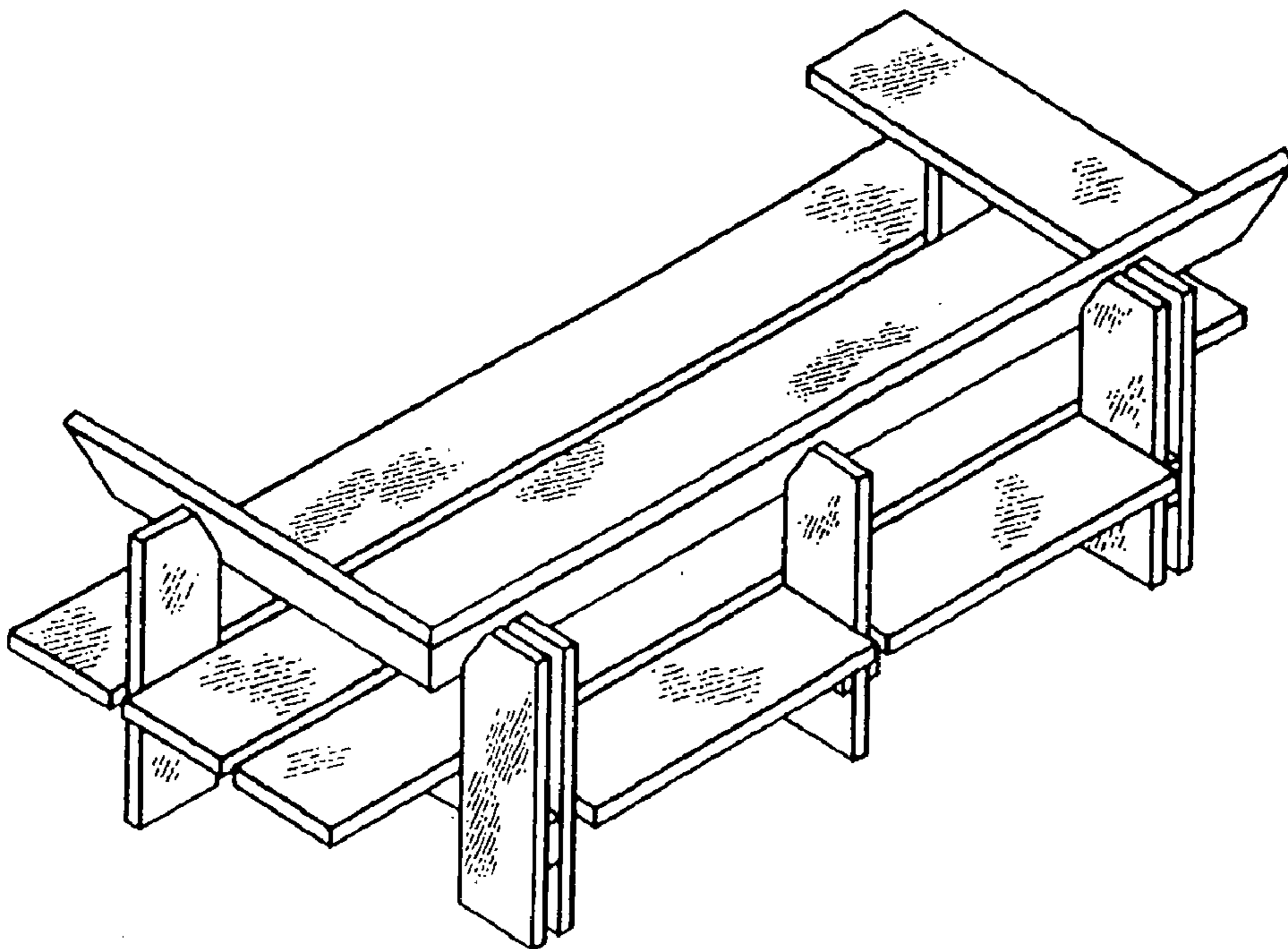


Fig. 11