

US00D546571S

(12) **United States Design Patent**
Ricci

(10) **Patent No.:** **US D546,571 S**

(45) **Date of Patent:** **** Jul. 17, 2007**

(54) **CHAIR**

(75) Inventor: **Luca Ricci**, Bertinoro-Fc (IT)

(73) Assignee: **DeCoro Limited**, Hong Kong (HK)

(**) Term: **14 Years**

(21) Appl. No.: **29/256,182**

(22) Filed: **Mar. 17, 2006**

(30) **Foreign Application Priority Data**

Nov. 18, 2005 (CN) 200530147629

(51) **LOC (8) Cl.** **06-01**

(52) **U.S. Cl.** **D6/334**

(58) **Field of Classification Search** D6/334,
D6/335, 337, 357, 361, 364, 367, 371, 378,
D6/381, 382, 383, 393, 500-503; 297/62-63,
297/38, 118, 232-233, 244-245, 311, 445.1,
297/446.1; 5/12.1, 28, 42

See application file for complete search history.

(56) **References Cited**

U.S. PATENT DOCUMENTS

D439,752 S * 4/2001 Natuzzi et al. D6/334
D442,375 S * 5/2001 Stammberger D6/335

D447,350 S * 9/2001 Carlson D6/336
D480,567 S * 10/2003 Ricci D6/334
D485,687 S * 1/2004 Natuzzi D6/334
D486,311 S * 2/2004 Boydak D6/335
D495,153 S * 8/2004 Ricci D6/334

* cited by examiner

Primary Examiner—Sandra Snapp

(74) *Attorney, Agent, or Firm*—Fish & Neave IP Group
Ropes & Gray LLP

(57) **CLAIM**

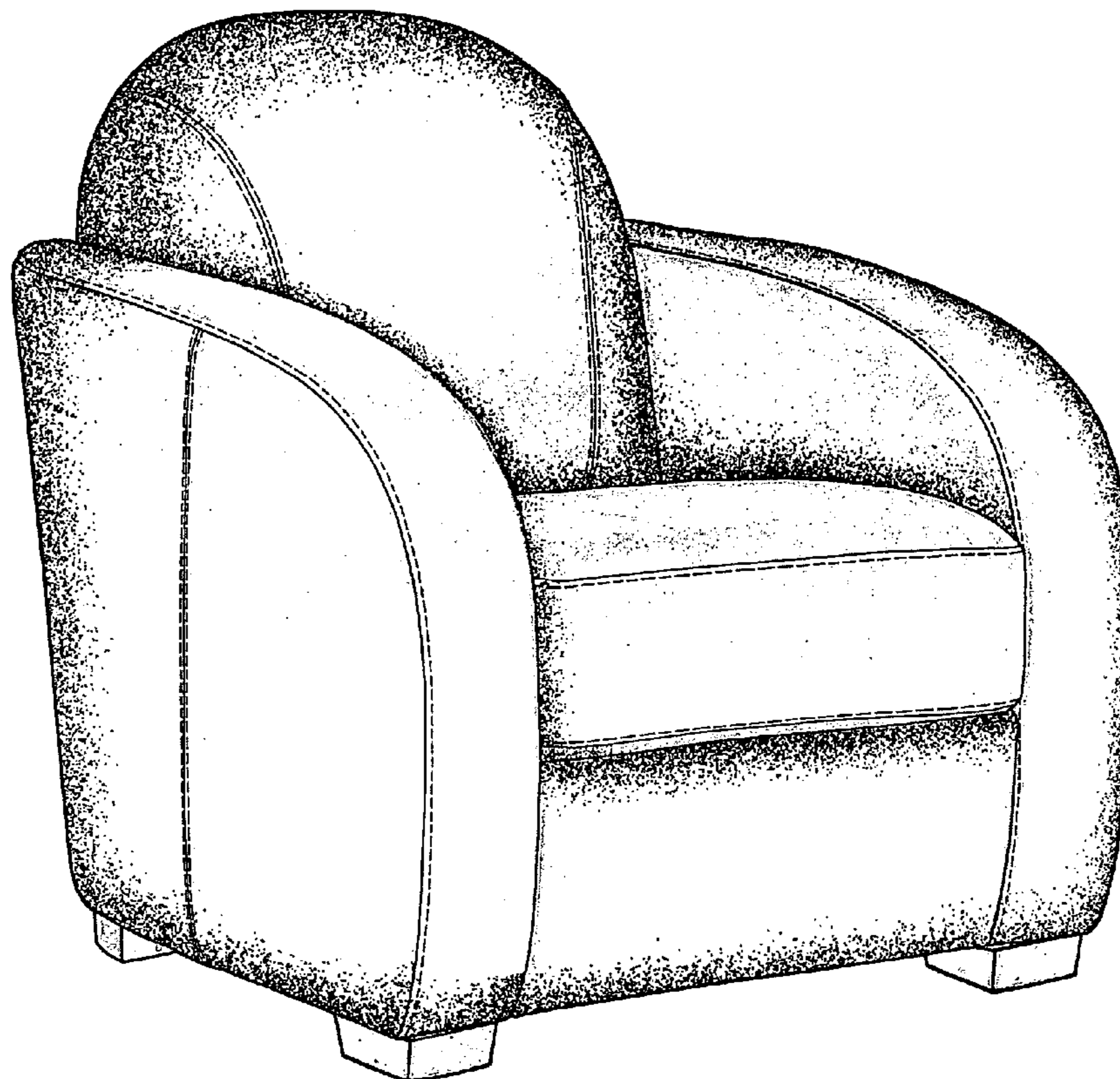
I claim the ornamental design for a chair, as shown and described.

DESCRIPTION

FIG. 1 is a front elevation view of the chair;
FIG. 2 is a side elevation view of the chair;
FIG. 3 is a front perspective view of the chair;
FIG. 4 is a rear elevation view of the chair;
FIG. 5 is a side elevation view of the chair; and,
FIG. 6 is a top plan view of the chair.

As shown in the drawings herein, broken (dotted) lines are used to indicate stitching.

1 Claim, 6 Drawing Sheets



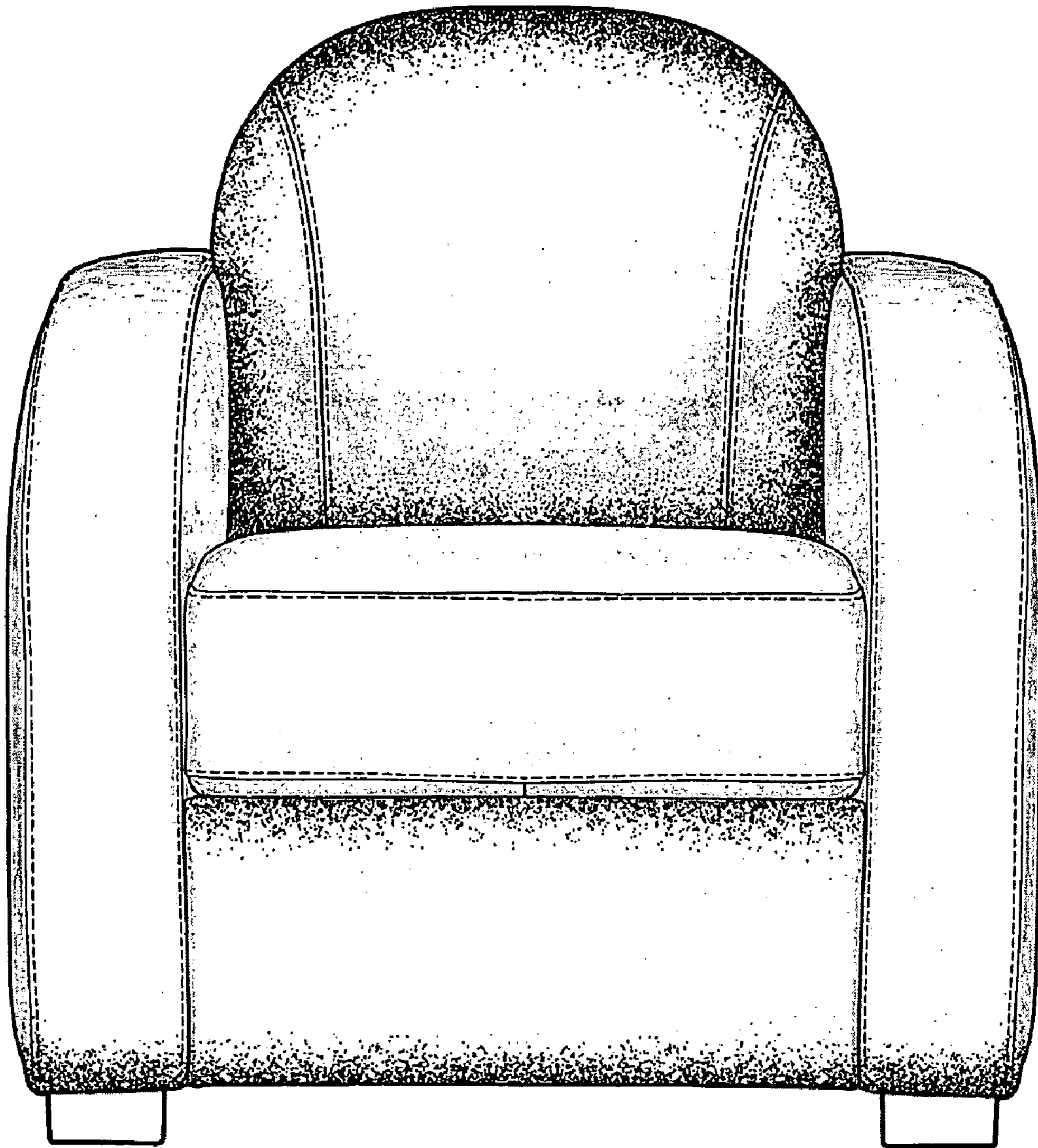


FIGURE 1

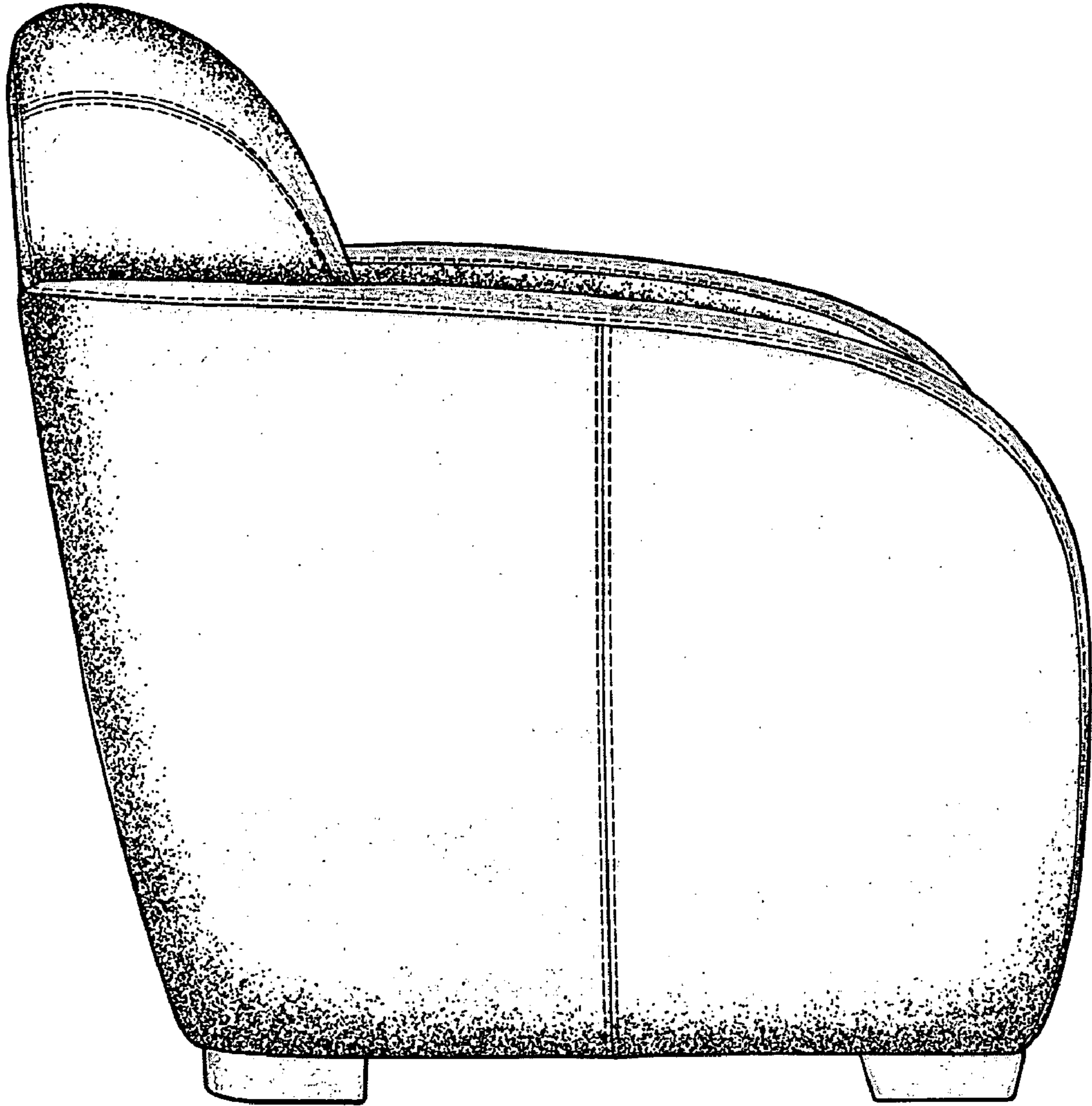


FIGURE 2

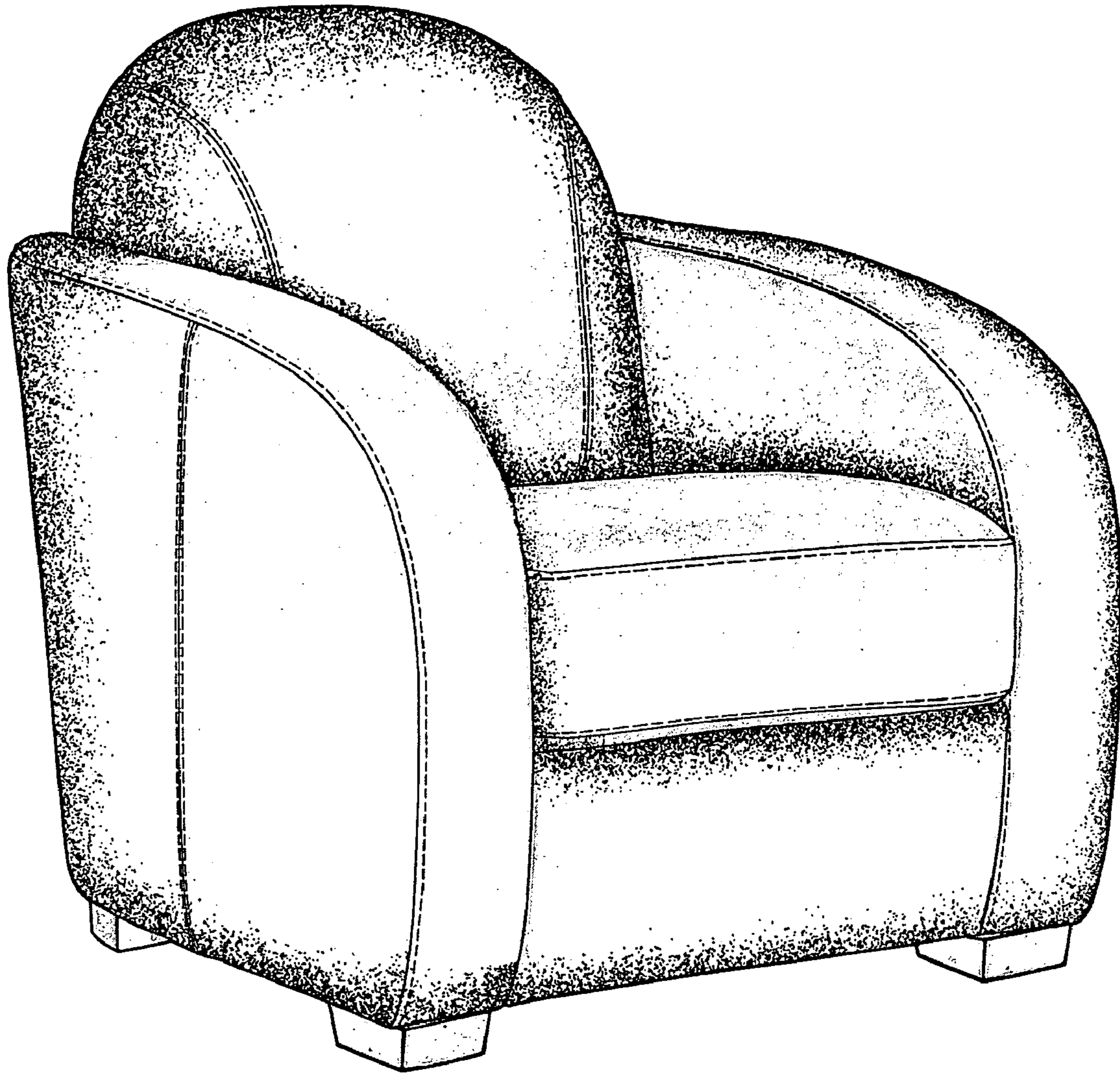


FIGURE 3

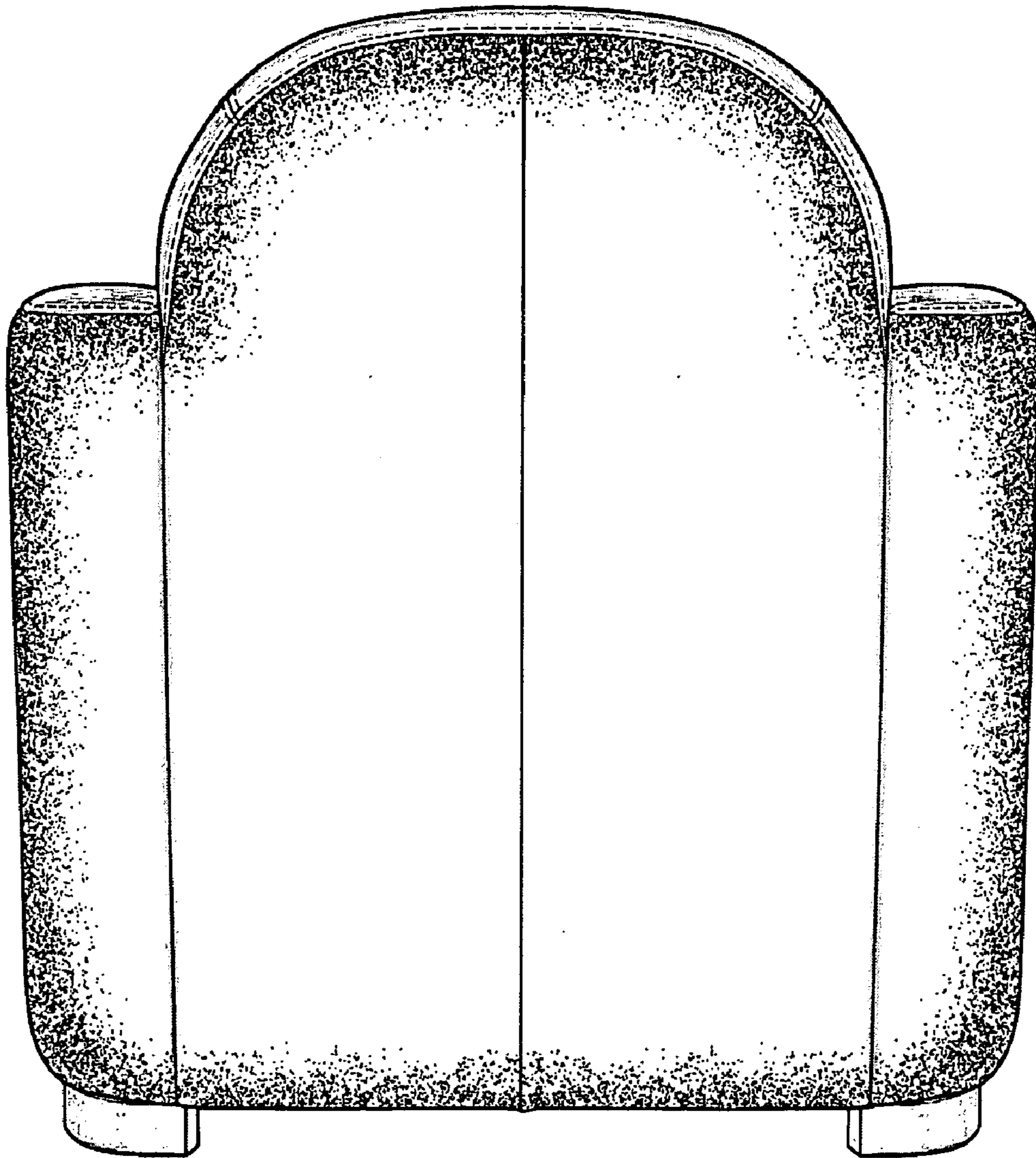


FIGURE 4

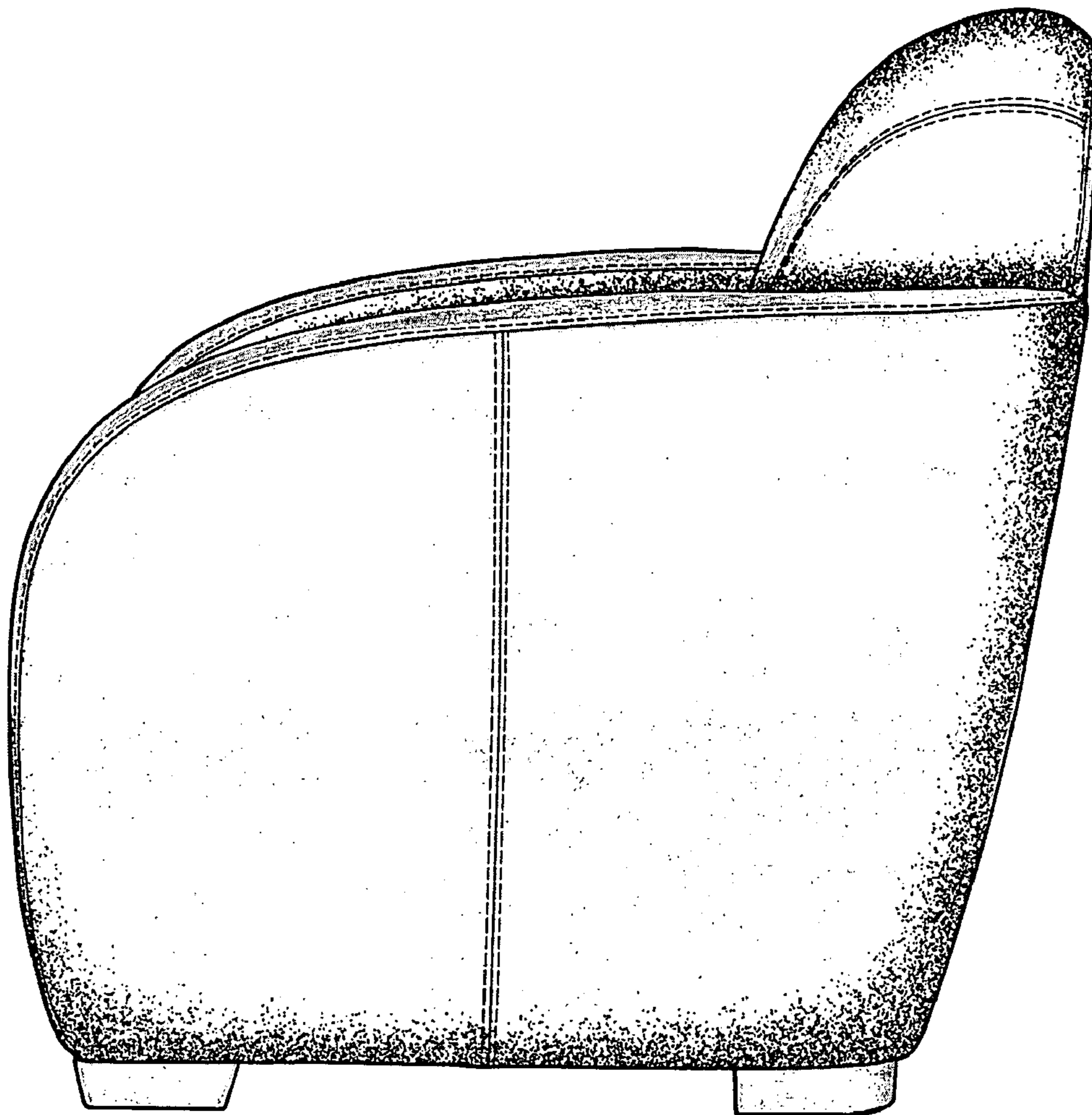


FIGURE 5

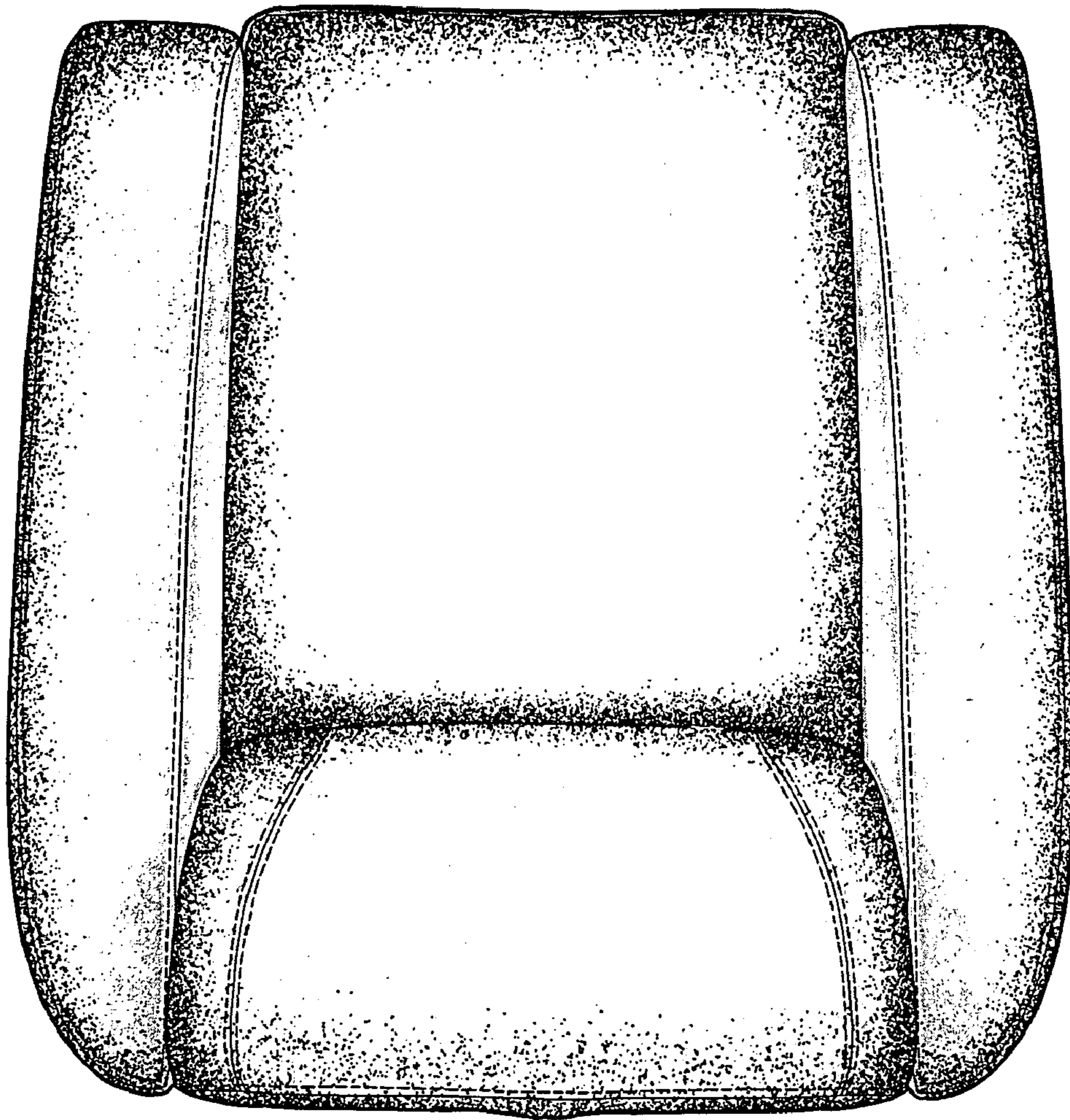


FIGURE 6