

US00D546567S

(12) **United States Design Patent**
Bhavnani

(10) **Patent No.:** **US D546,567 S**

(45) **Date of Patent:** **** Jul. 17, 2007**

(54) **FOLDING MIRROR**

(75) Inventor: **Dilip Bhavnani**, Beverly Hills, CA
(US)

(73) Assignee: **Sun Coast Merchandise Corporation**,
Commerce, CA (US)

(**) Term: **14 Years**

(21) Appl. No.: **29/256,066**

(22) Filed: **Mar. 14, 2006**

(51) **LOC (8) Cl.** **06-07**

(52) **U.S. Cl.** **D6/309**

(58) **Field of Classification Search** D6/300-314;
D19/65, 90, 34, 36; D28/64.6, 64.3, 64.4,
D28/64.2; 359/871, 872, 875, 879; 248/471,
248/470, 466; 362/139, 140; 40/700, 711,
40/719

See application file for complete search history.

(56) **References Cited**

U.S. PATENT DOCUMENTS

D51,556 S * 12/1917 Hawthorne D6/309
1,774,331 A * 8/1930 Koller 362/135
1,979,119 A * 10/1934 Radzinsky 434/100
D141,601 S * 6/1945 Blume D28/78
D170,351 S * 9/1953 Breen D28/64.3

D231,269 S * 4/1974 Leopoldi D19/90
D270,578 S * 9/1983 Washington, Jr. D28/78
D409,003 S * 5/1999 Scavini D6/312
D429,762 S * 8/2000 Mershon D19/34
D452,975 S * 1/2002 Mershon D19/36
D463,824 S * 10/2002 Kan D19/65
D484,279 S * 12/2003 Prince et al. D28/64.6
7,004,599 B2 * 2/2006 Mullani 362/139

* cited by examiner

Primary Examiner—Janice E. Seeger

Assistant Examiner—Sydney R. Buffalow

(74) *Attorney, Agent, or Firm*—The Soni Law Firm

(57) **CLAIM**

The ornamental design for a folding mirror, as shown and described.

DESCRIPTION

FIG. 1 is a front perspective view of a folding mirror;

FIG. 2 is a front elevational view thereof;

FIG. 3 is a side view, thereof;

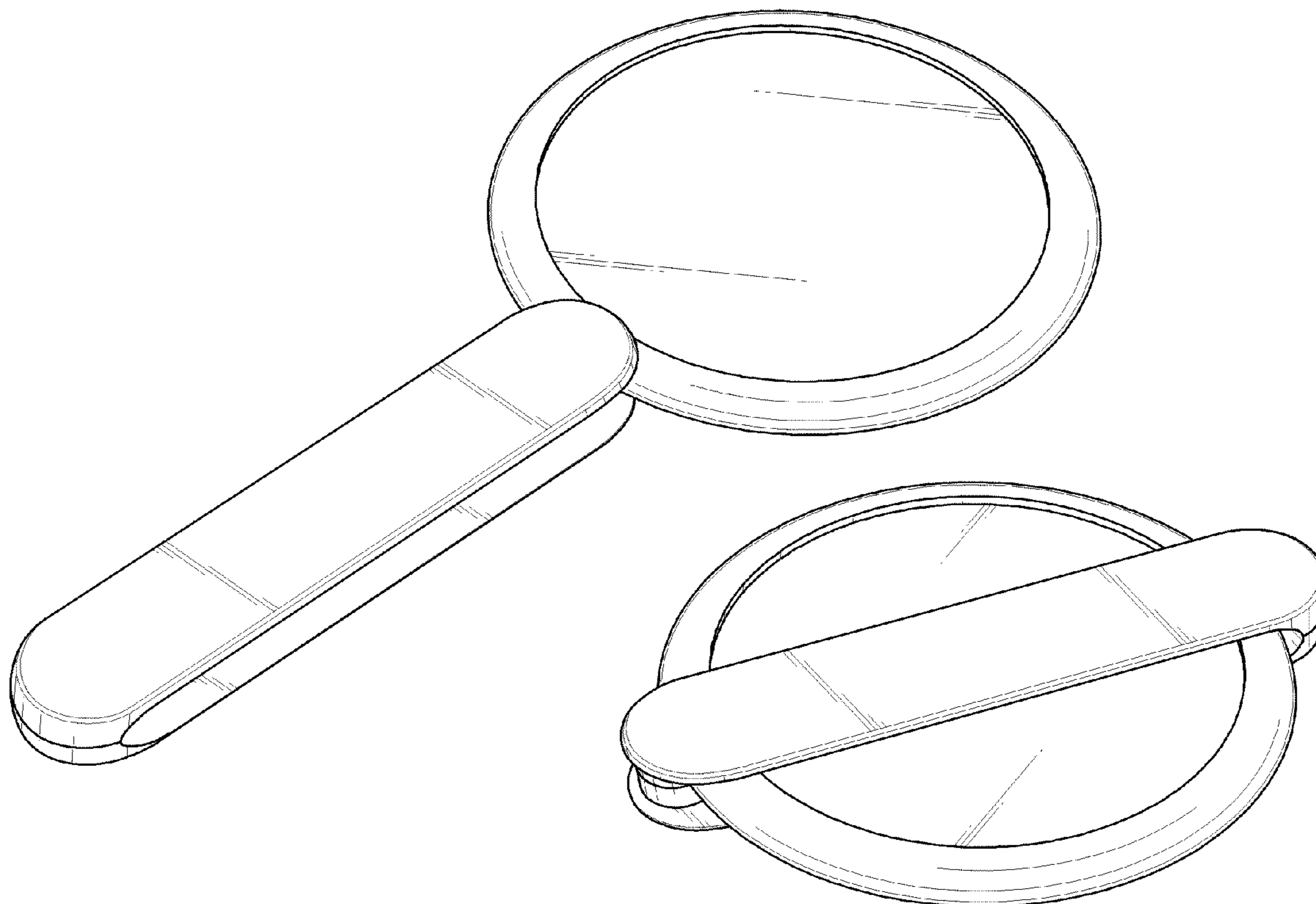
FIG. 4 is a rear elevational view thereof;

FIG. 5 is a bottom plan view thereof;

FIG. 6 is a top plan view thereof; and,

FIG. 7 is a perspective view in folded condition.

1 Claim, 3 Drawing Sheets



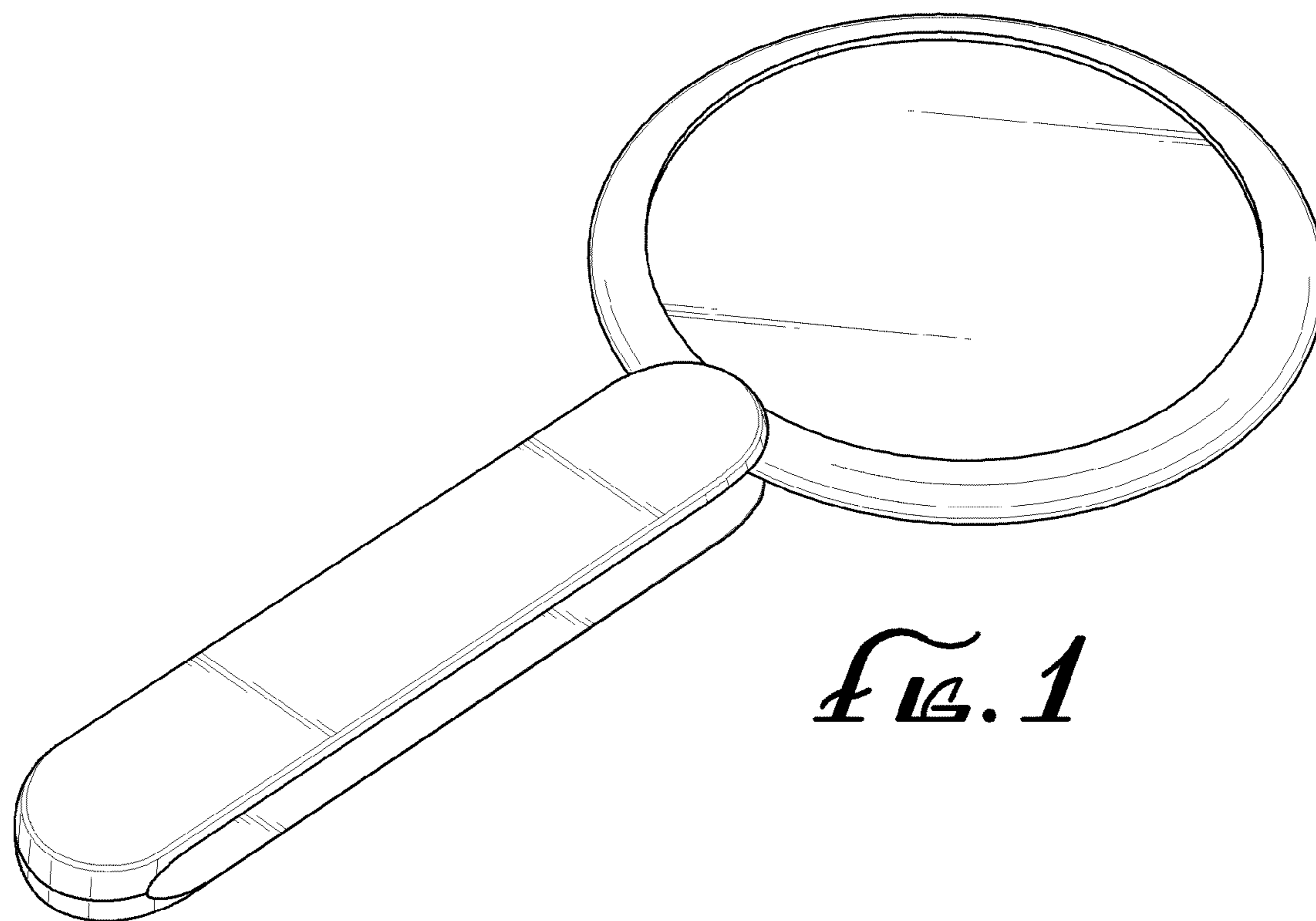


FIG. 1

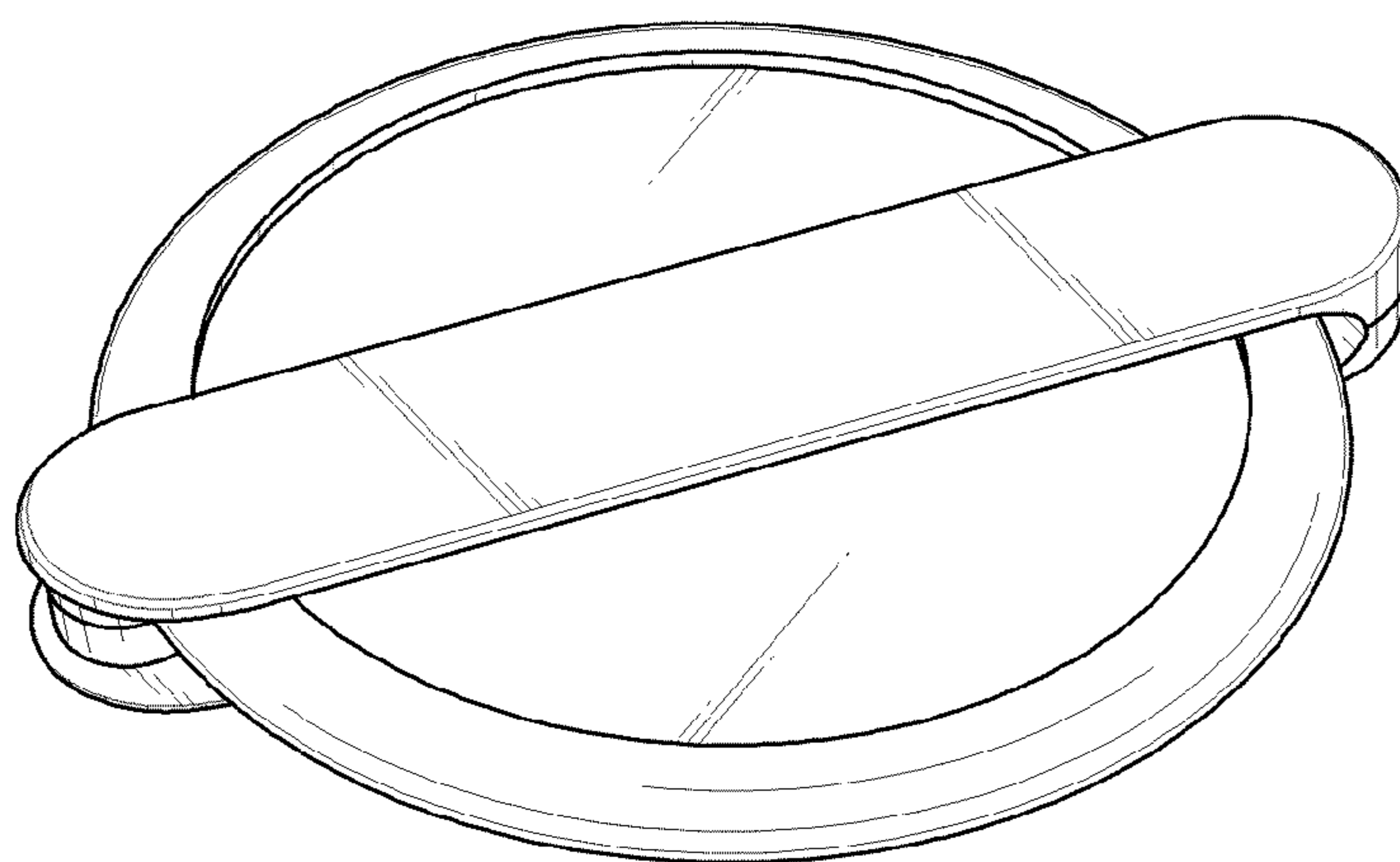


FIG. 7

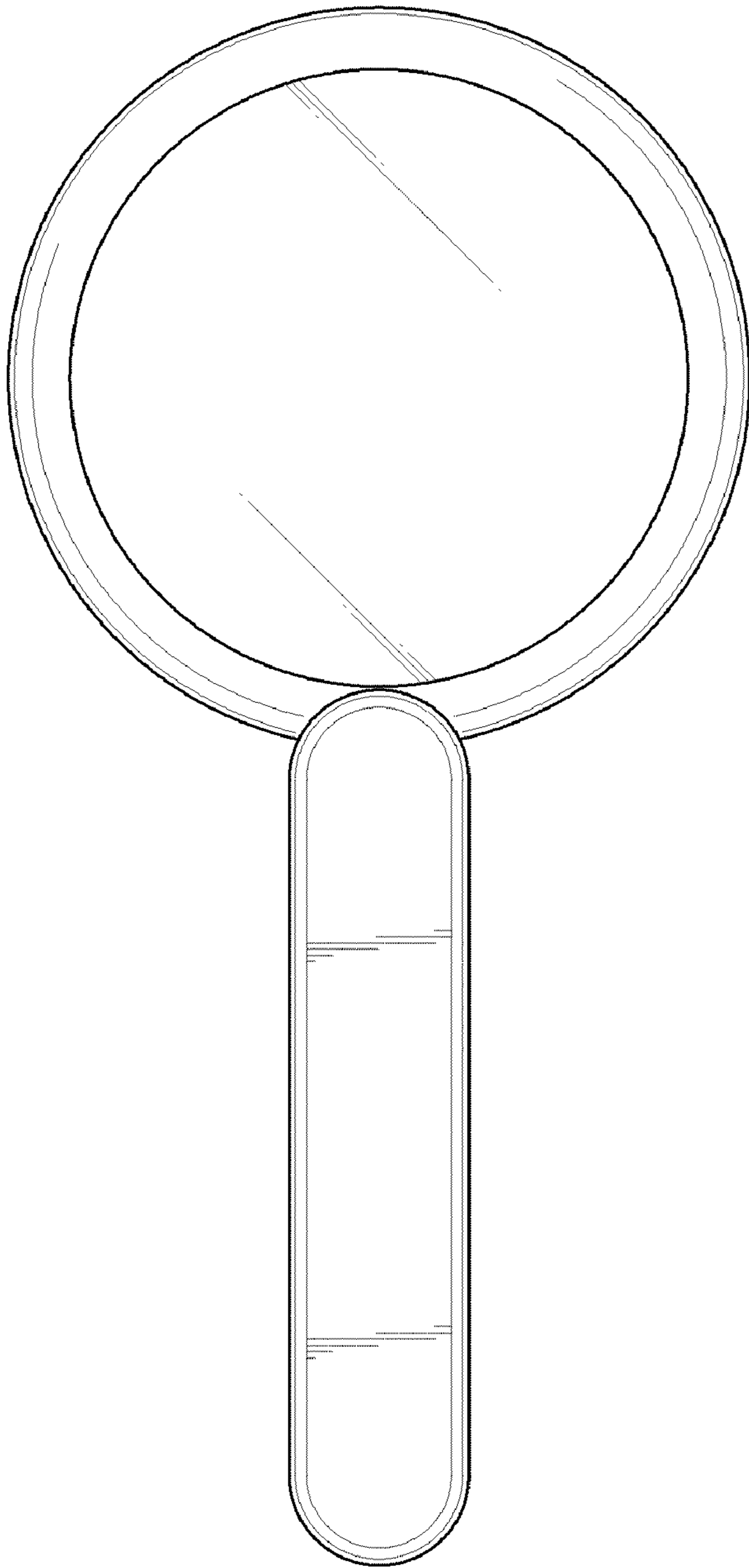


FIG. 2

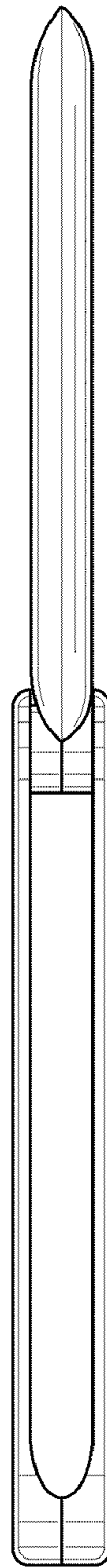


FIG. 3

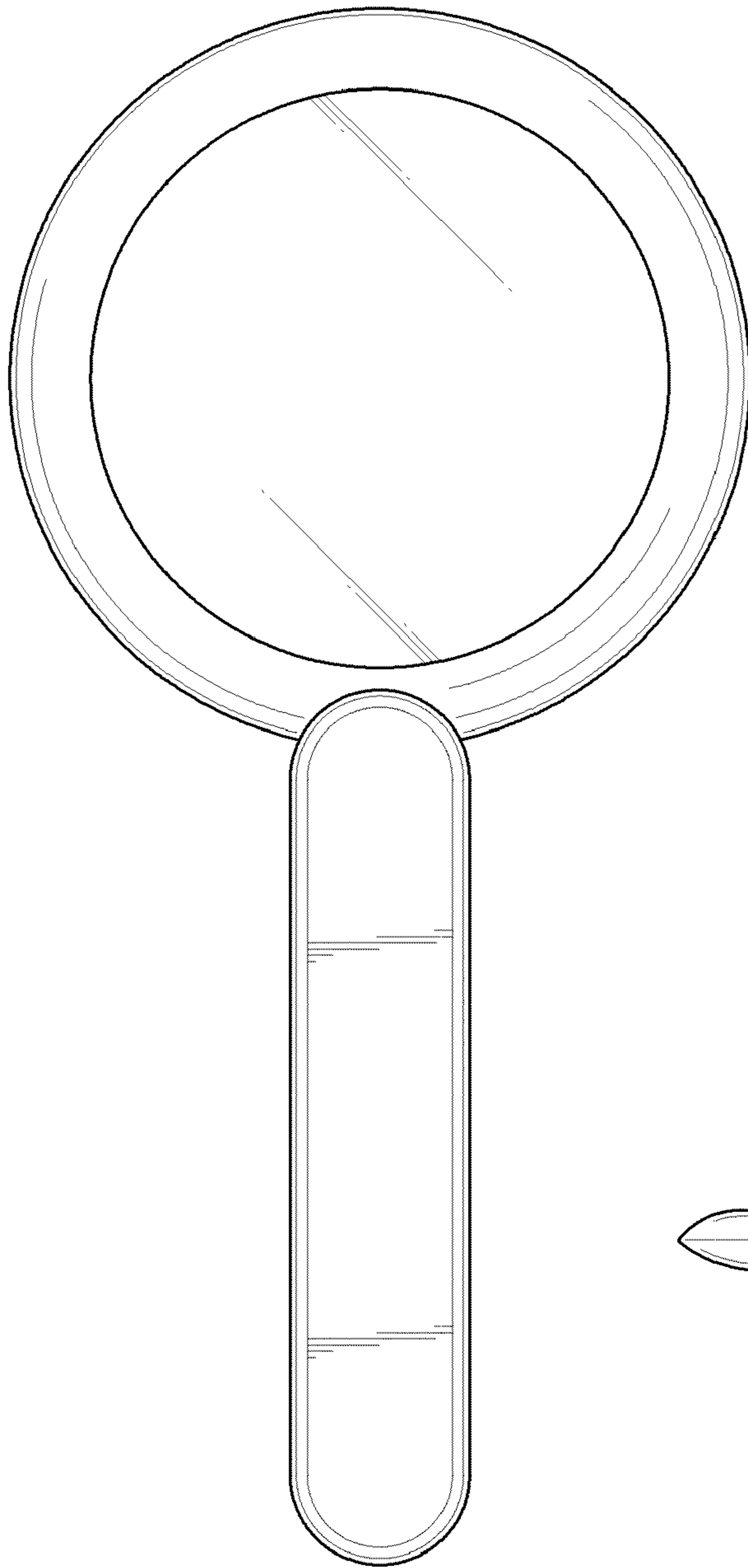


FIG. 4

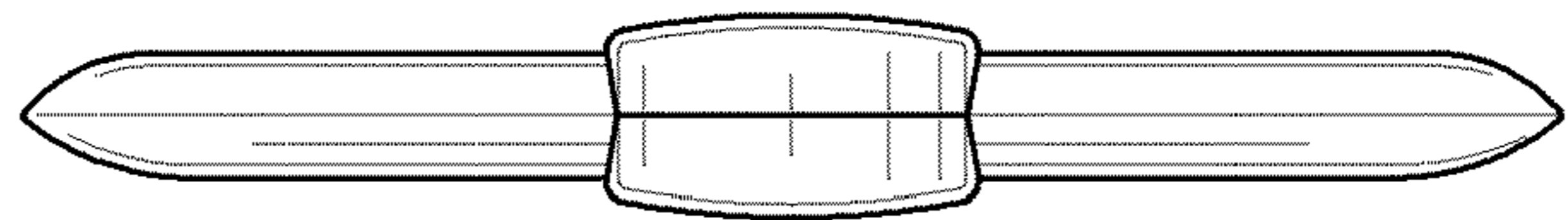


FIG. 5

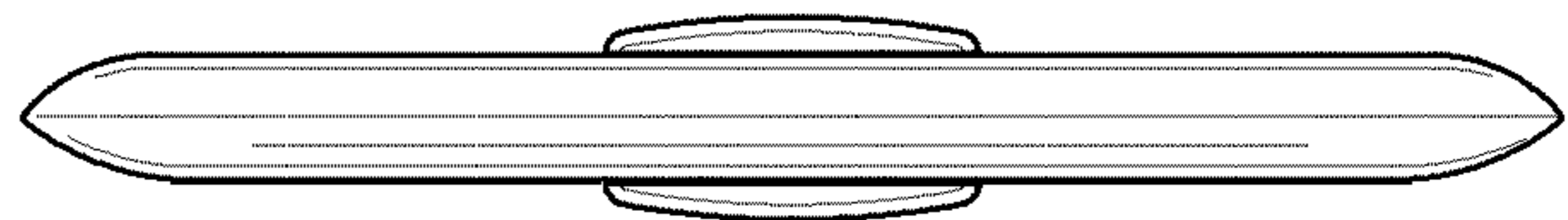


FIG. 6