

US00D546566S

(12) **United States Design Patent**
Mischel, Jr.

(10) **Patent No.:** **US D546,566 S**
(45) **Date of Patent:** **** Jul. 17, 2007**

(54) **LIGHTED MIRROR**

(75) Inventor: **James Vernon Mischel, Jr.**, Seattle, WA (US)

(73) Assignee: **Electric Mirror, LLC**, Edmonds, WA (US)

(**) Term: **14 Years**

(21) Appl. No.: **29/262,484**

(22) Filed: **Jun. 30, 2006**

(51) **LOC (8) Cl.** **06-07**

(52) **U.S. Cl.** **D6/300; D14/129**

(58) **Field of Classification Search** D6/300-314, D6/444; D20/10; 40/700, 735, 738, 744, 40/798; D28/64.1; 250/492.23; D19/52; D11/132; D21/366

See application file for complete search history.

(56) **References Cited**

U.S. PATENT DOCUMENTS

D114,451 S	4/1939	Lazarus	
D221,670 S *	8/1971	Seidman D21/366
D268,349 S *	3/1983	Cobb D20/10
D312,925 S *	12/1990	Burhardt D6/314
D339,921 S	10/1993	Nourse	
D345,379 S	3/1994	Chan	
D357,643 S *	4/1995	Ilaria et al. D11/132
D359,928 S *	7/1995	Ilaria et al. D11/132

D405,473 S	2/1999	Tikhonski et al.	
D433,573 S	11/2000	Rochon	
D491,732 S *	6/2004	Hoernig D6/300
D492,127 S *	6/2004	Bellini D6/308
D509,367 S *	9/2005	Kennedy D6/300

* cited by examiner

Primary Examiner—Janice E. Seeger

Assistant Examiner—Sydney R. Buffalow

(74) *Attorney, Agent, or Firm*—Christensen O'Connor Johnson Kindness PLLC

(57) **CLAIM**

The ornamental design for a lighted mirror, as shown and described.

DESCRIPTION

FIG. 1 is a perspective view of a lighted mirror, showing my new design:

FIG. 2 is a front view and back view thereof;

FIG. 3 is a left side view and a right side view thereof;

FIG. 4 is a top view and a bottom view thereof;

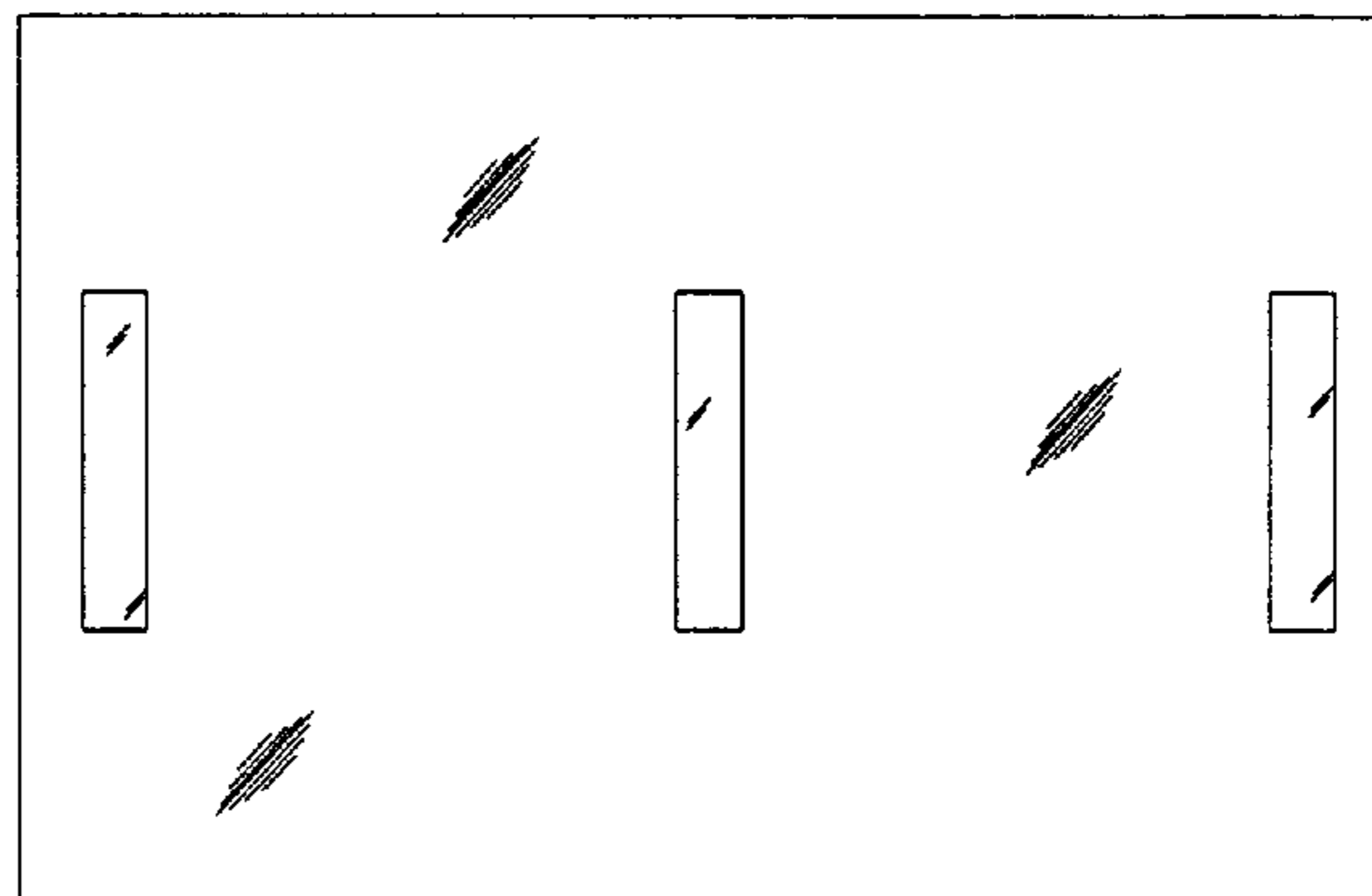
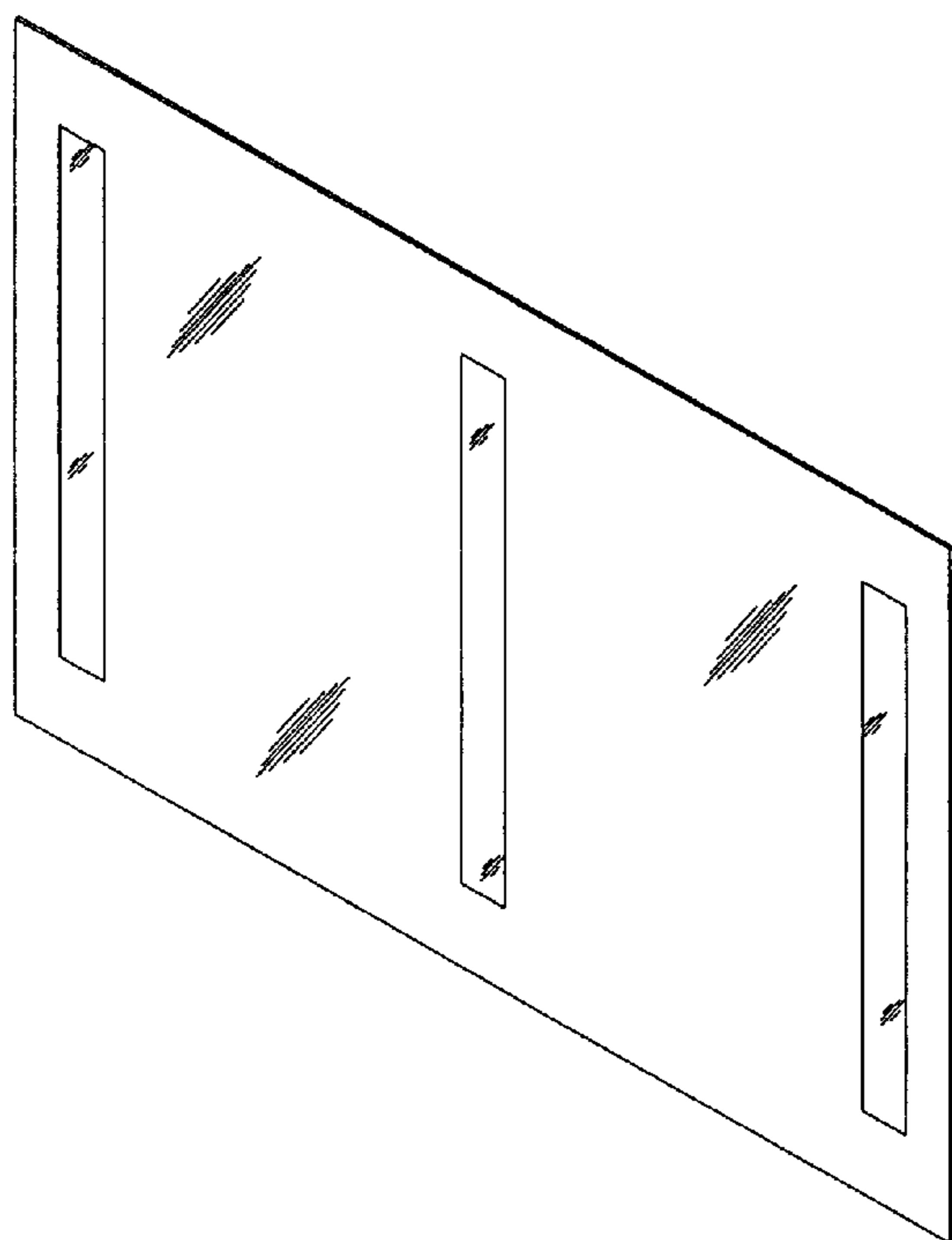
FIG. 5 is a perspective view of a second embodiment of a lighted mirror, showing our new design;

FIG. 6 is a front view and back view thereof;

FIG. 7 is a left side view and a right side view thereof; and,

FIG. 8 is a top view and a bottom view thereof.

1 Claim, 4 Drawing Sheets



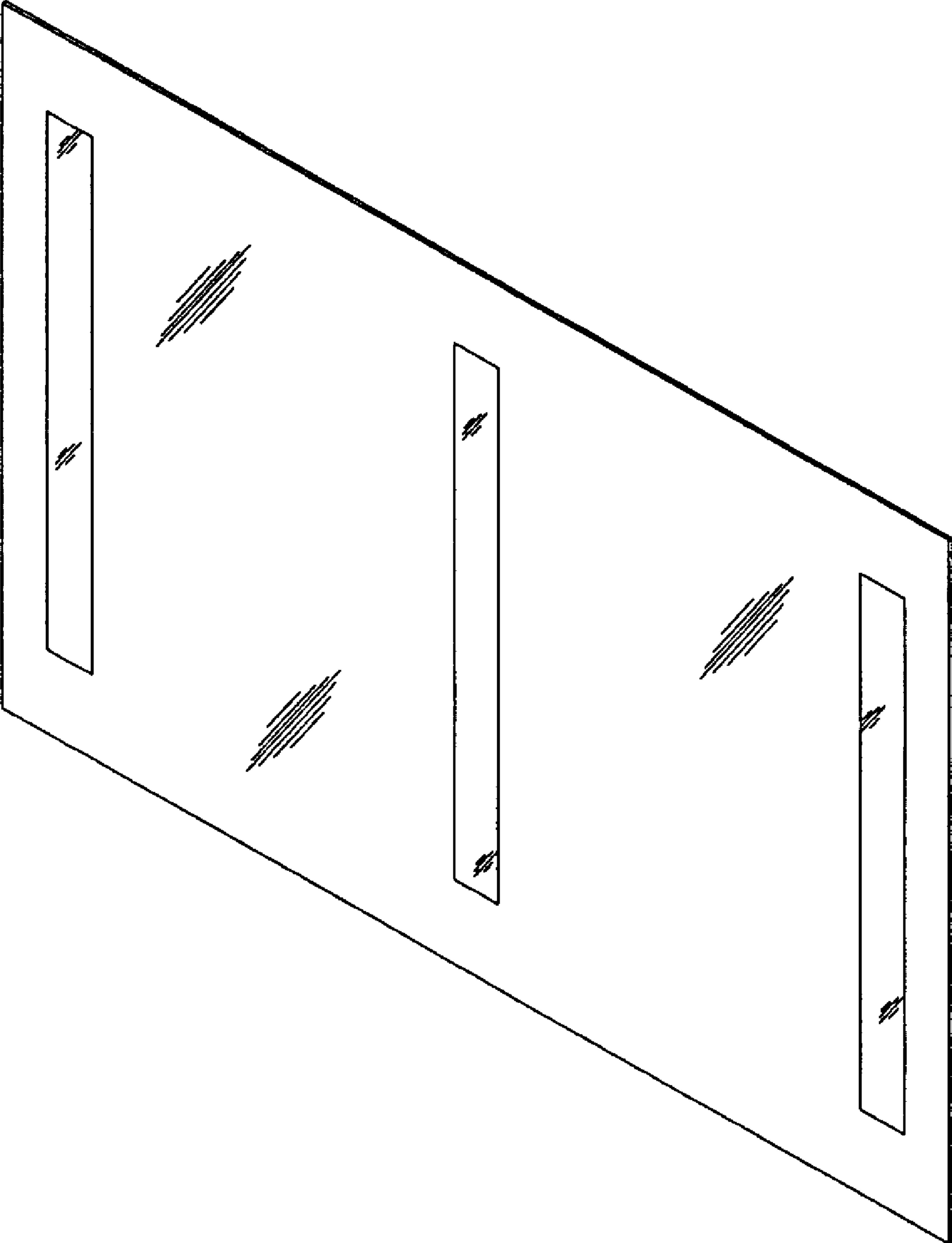


Fig. 1

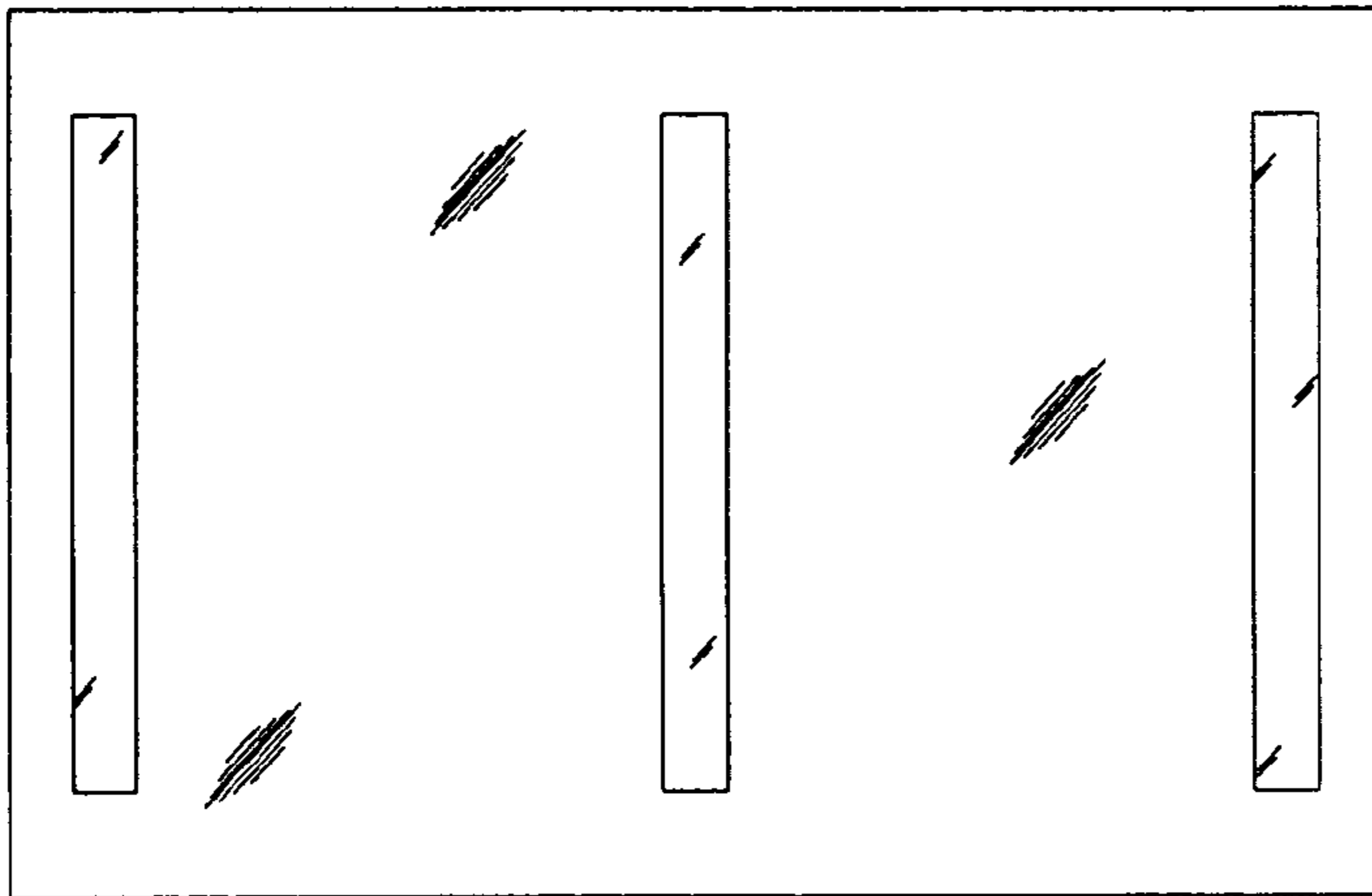


Fig. 2.



Fig. 3.



Fig. 4.

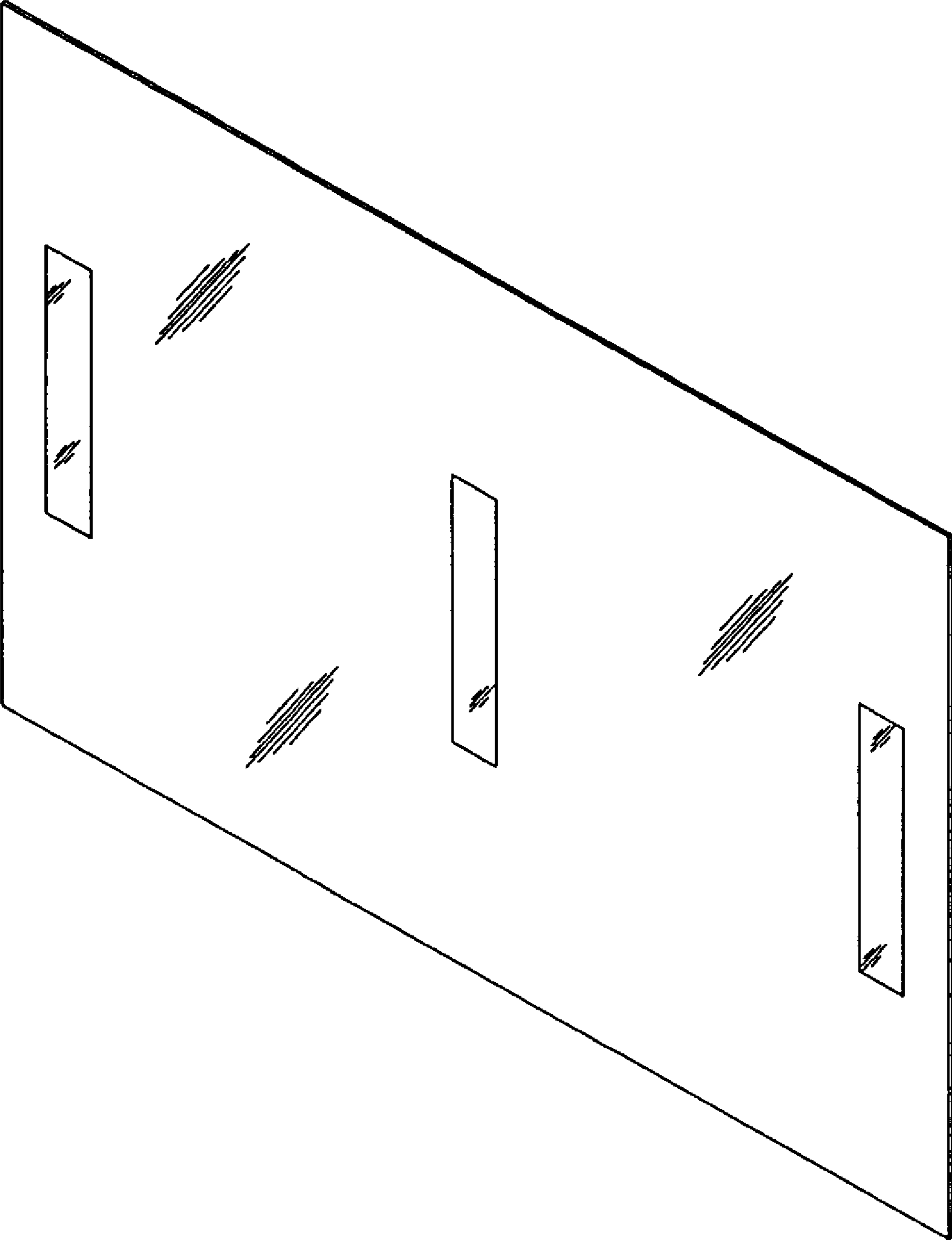


Fig. 5

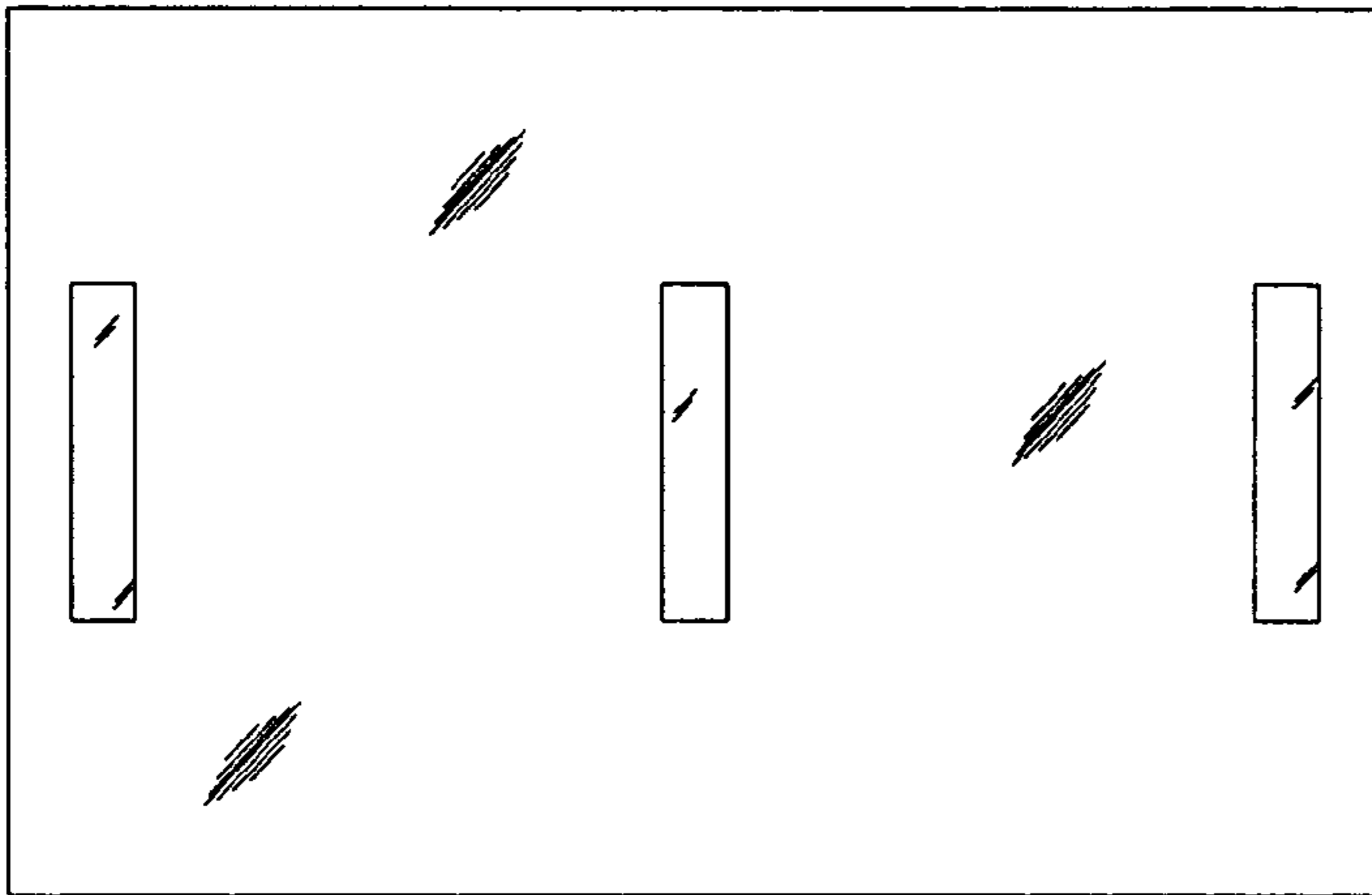


Fig. 6.



Fig. 7.



Fig. 8.