

US00D546565S

(12) **United States Design Patent** (10) **Patent No.:** **US D546,565 S**
Mischel, Jr. et al. (45) **Date of Patent:** **** Jul. 17, 2007**

(54) **BACKLIT MIRROR WITH TV**
 (75) Inventors: **James Vernon Mischel, Jr.**, Edmonds, WA (US); **Patrick Daniel Erickson**, Seattle, WA (US); **James Vernon Mischel, Sr.**, Lynnwood, WA (US)
 (73) Assignee: **Electric Mirror, LLC**, Edmonds, WA (US)

D327,370 S * 6/1992 Mittelstrass D6/301
 5,205,059 A * 4/1993 Doll 40/718
 D339,921 S 10/1993 Nourse
 D345,379 S 3/1994 Chan
 D390,010 S * 2/1998 Fry D6/302
 D405,473 S 2/1999 Tikhonski et al.
 D433,573 S 11/2000 Rochon
 D444,817 S * 7/2001 Russell D20/11
 D495,152 S * 8/2004 Pulini D6/312

(**) Term: **14 Years**
 (21) Appl. No.: **29/258,435**
 (22) Filed: **Apr. 22, 2006**

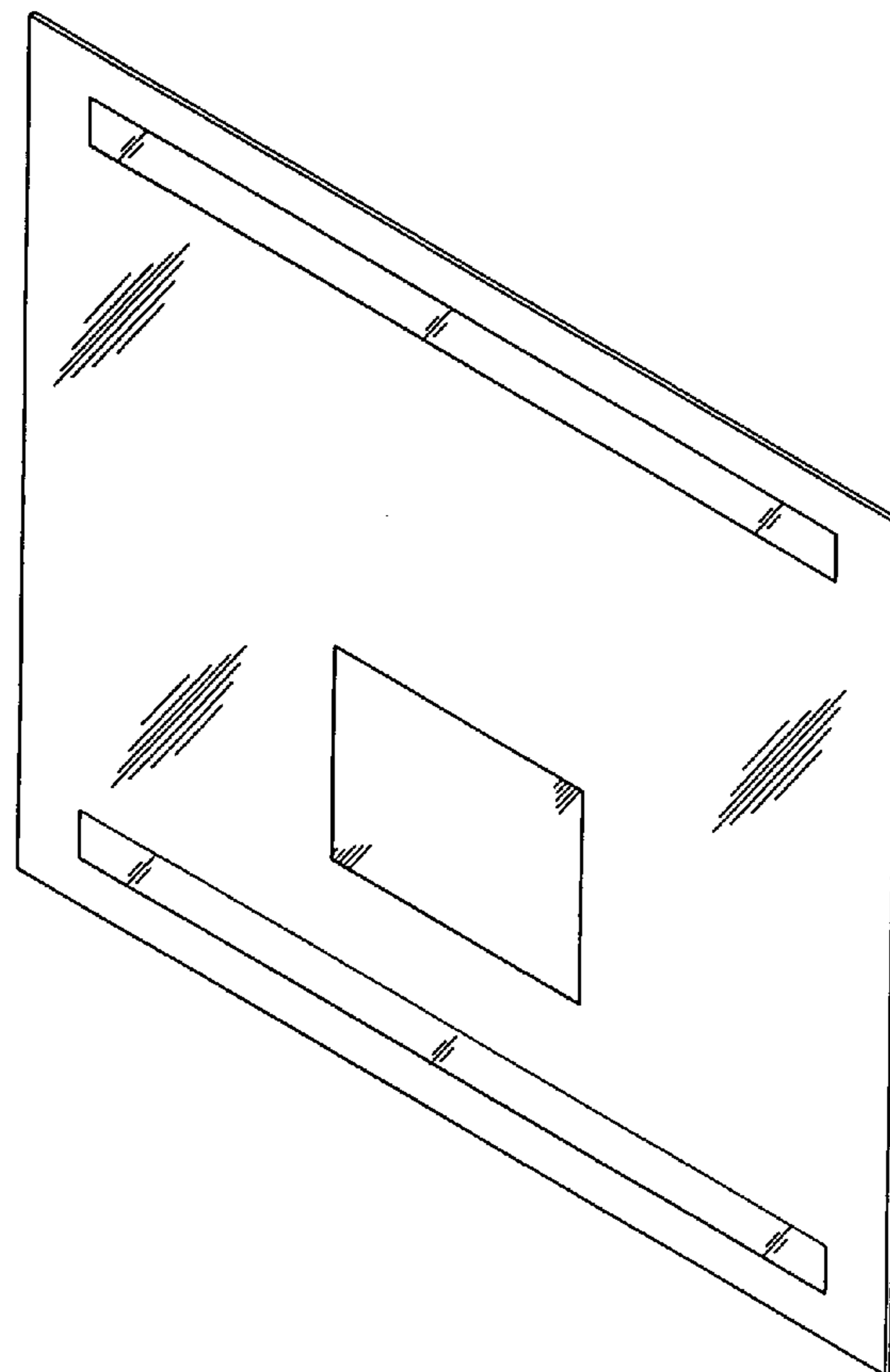
* cited by examiner
Primary Examiner—Janice E. Seeger
Assistant Examiner—Sydney R. Buffalow
 (74) *Attorney, Agent, or Firm*—Christensen O'Connor Johnson Kindness PLLC

(51) **LOC (8) Cl.** **06-07**
 (52) **U.S. Cl.** **D6/300; D14/129**
 (58) **Field of Classification Search** D6/300–314, D6/444; D20/10, 11; 40/700, 735, 738, 40/744, 798; D28/64.1; 250/492.23; D19/52; D5/63; D14/129; 428/912.2
 See application file for complete search history.

(57) **CLAIM**
 The ornamental design for a backlit mirror with TV, as shown and described.

(56) **References Cited**
 U.S. PATENT DOCUMENTS
 D114,451 S 4/1939 Lazarus
 D267,162 S * 12/1982 Buschmann D11/133
 D268,349 S * 3/1983 Cobb D20/10
 D312,925 S * 12/1990 Burhardt D6/314

DESCRIPTION
 FIG. 1 is a perspective view of a backlit mirror with TV, showing our new design:
 FIG. 2 is a front view and back view thereof;
 FIG. 3 is a left side view and a right side view thereof; and,
 FIG. 4 is a top view and a bottom view thereof.
1 Claim, 2 Drawing Sheets



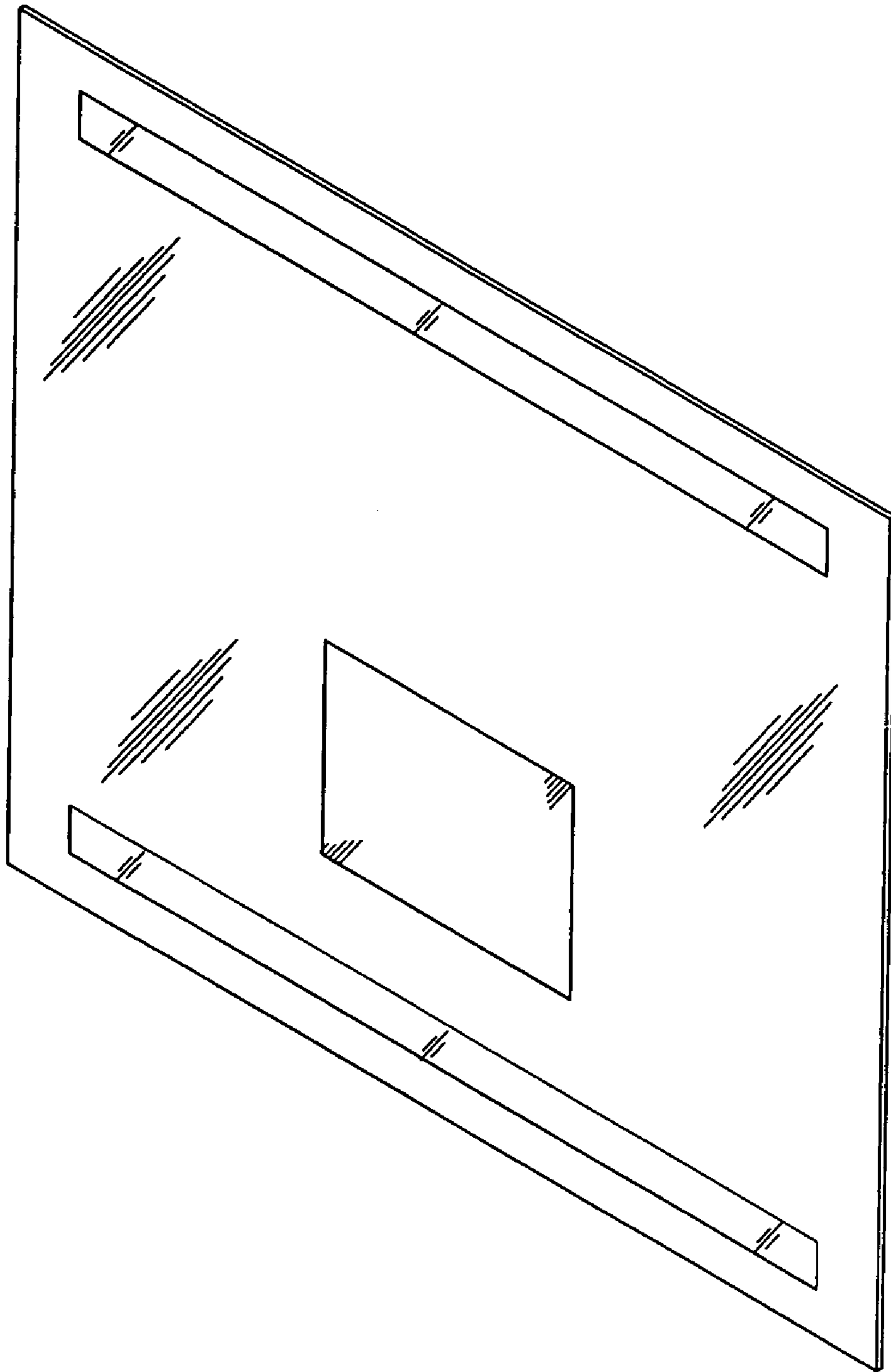


Fig. 1

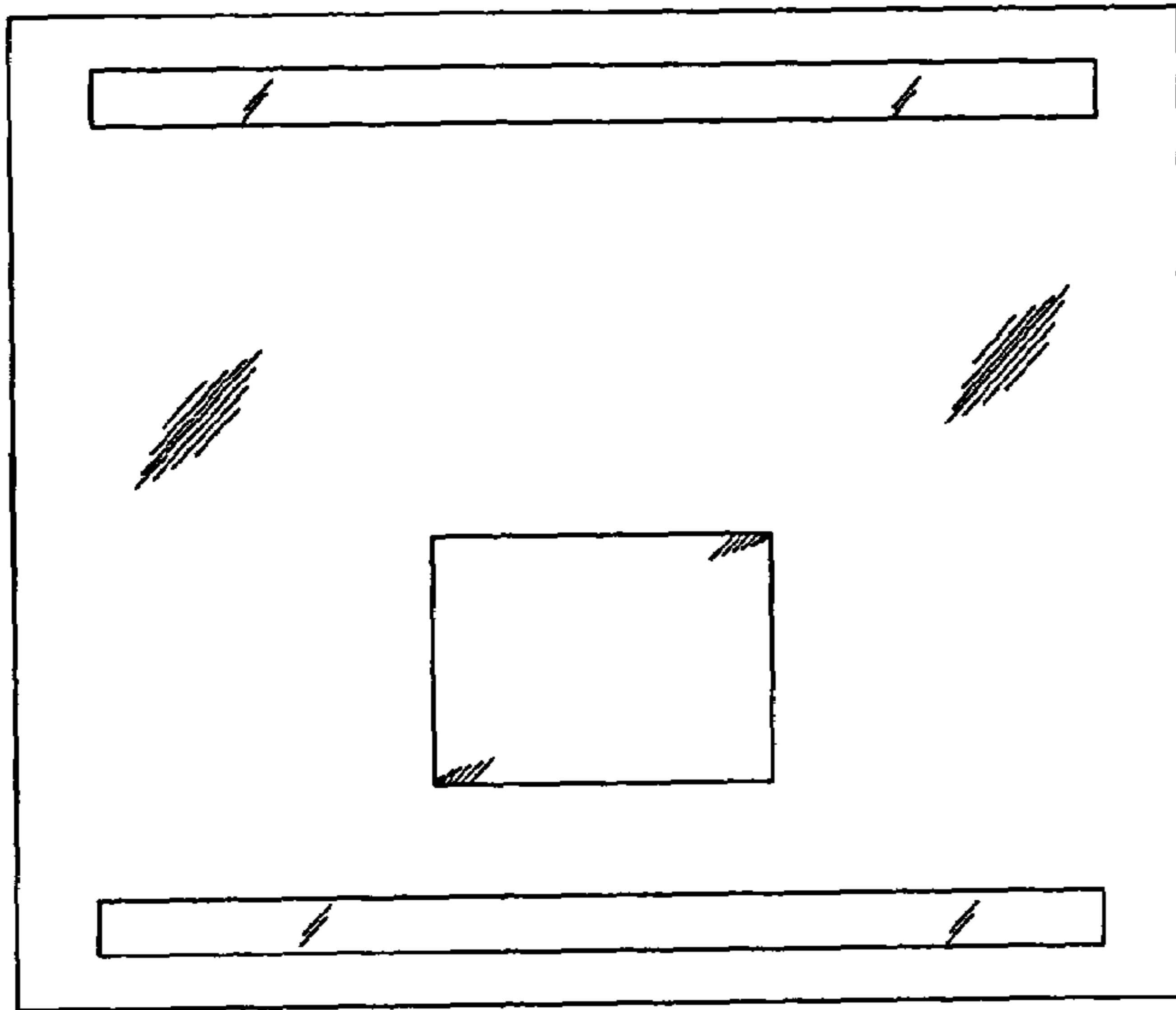


Fig. 2.



Fig. 3.



Fig. 4.