



US00D546564S

(12) **United States Design Patent**
Lo et al.

(10) **Patent No.:** **US D546,564 S**
(45) **Date of Patent:** **** Jul. 17, 2007**

(54) **MIRROR**

(75) Inventors: **Eddie Ying-Hoi Lo**, Tsuen Wan (CN);
Vicky Wing-Kei Hui, Tsuen Wan (CN)

(73) Assignee: **Lomak Industrial Co., Ltd.**, Hong Kong (HK)

(**) Term: **14 Years**

(21) Appl. No.: **29/251,991**

(22) Filed: **Jan. 18, 2006**

(51) **LOC (8) Cl.** **06-07**

(52) **U.S. Cl.** **D6/300**

(58) **Field of Classification Search** D6/300-314,
D6/444; D26/56; D28/78, 64.3; 40/700,
40/711, 720, 714-716, 735, 739, 745, 765,
40/790, 798; 359/838, 871; 248/466, 469,
248/472

See application file for complete search history.

(56) **References Cited**

U.S. PATENT DOCUMENTS

- D163,481 S * 5/1951 Rauh D6/308
- D248,675 S * 7/1978 Gaudiche D28/78
- D270,199 S * 8/1983 Se-Kit D28/78
- D442,371 S * 5/2001 Eberts D6/312
- D454,701 S * 3/2002 Eric D6/308

- D462,809 S * 9/2002 LaSpina et al. D28/78
- D470,665 S * 2/2003 Harris et al. D6/312
- D483,912 S * 12/2003 Prince et al. D28/64.2
- D485,015 S * 1/2004 Chue D28/64.1

OTHER PUBLICATIONS

Hong Kong Enterprise, Dec. 1982, p. 366, Profit Plastic and Metalware Factory.*

* cited by examiner

Primary Examiner—Janice E. Seeger

Assistant Examiner—Sydney R. Buffalow

(74) *Attorney, Agent, or Firm*—Buchanan Ingersoll & Rooney PC

(57) **CLAIM**

The ornamental design for a “mirror”, as shown and described.

DESCRIPTION

FIG. 1 is a front view of a “mirror” incorporating our design;

FIG. 2 is a rear view thereof;

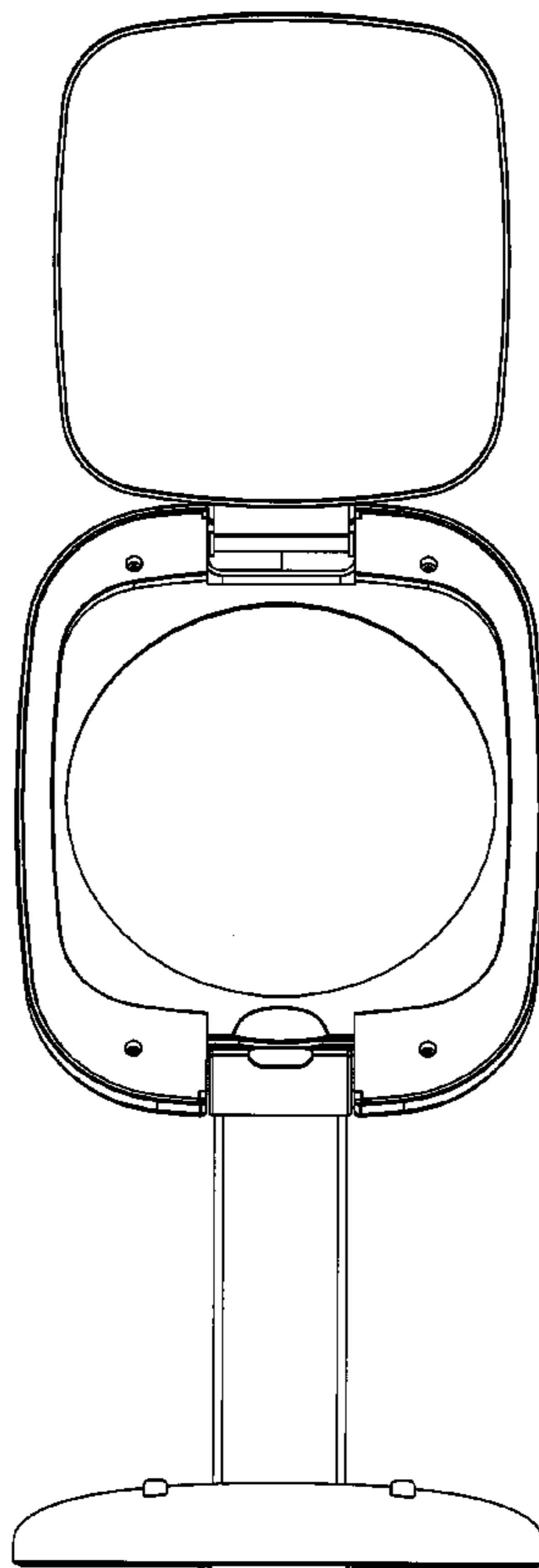
FIG. 3 is a left side view thereof;

FIG. 4 is a right side view thereof;

FIG. 5 is a top view thereof; and,

FIG. 6 is a bottom view thereof.

1 Claim, 6 Drawing Sheets



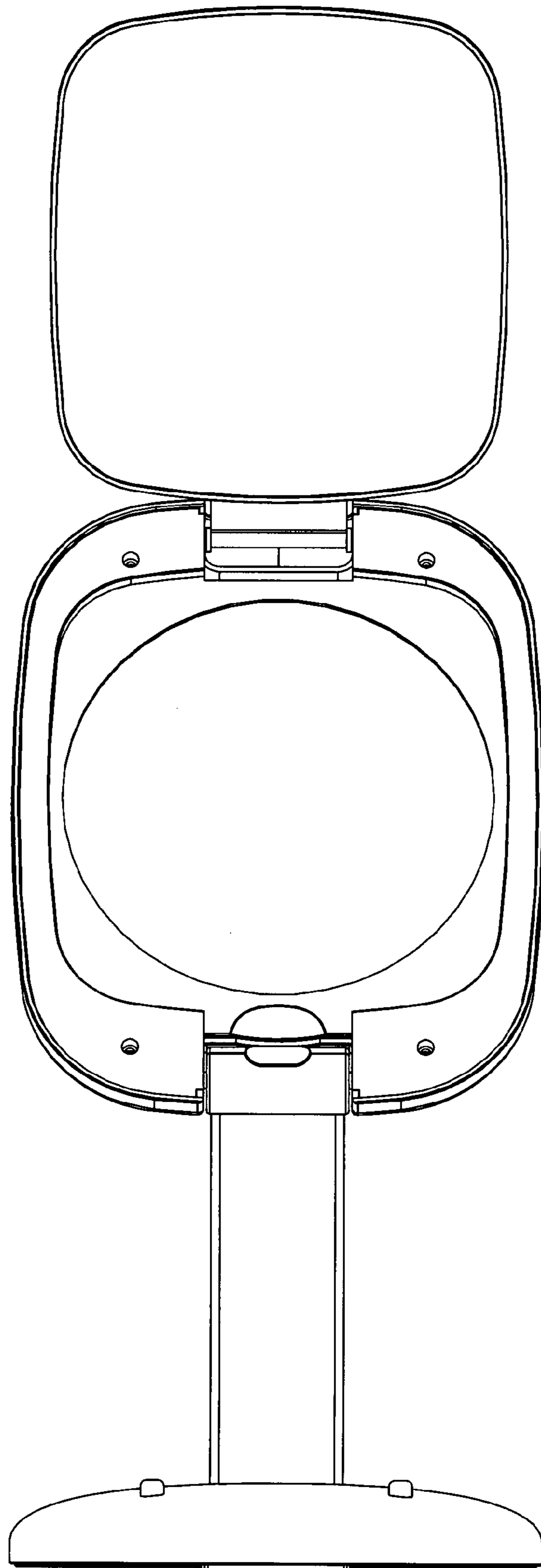


Figure 1



Figure 2

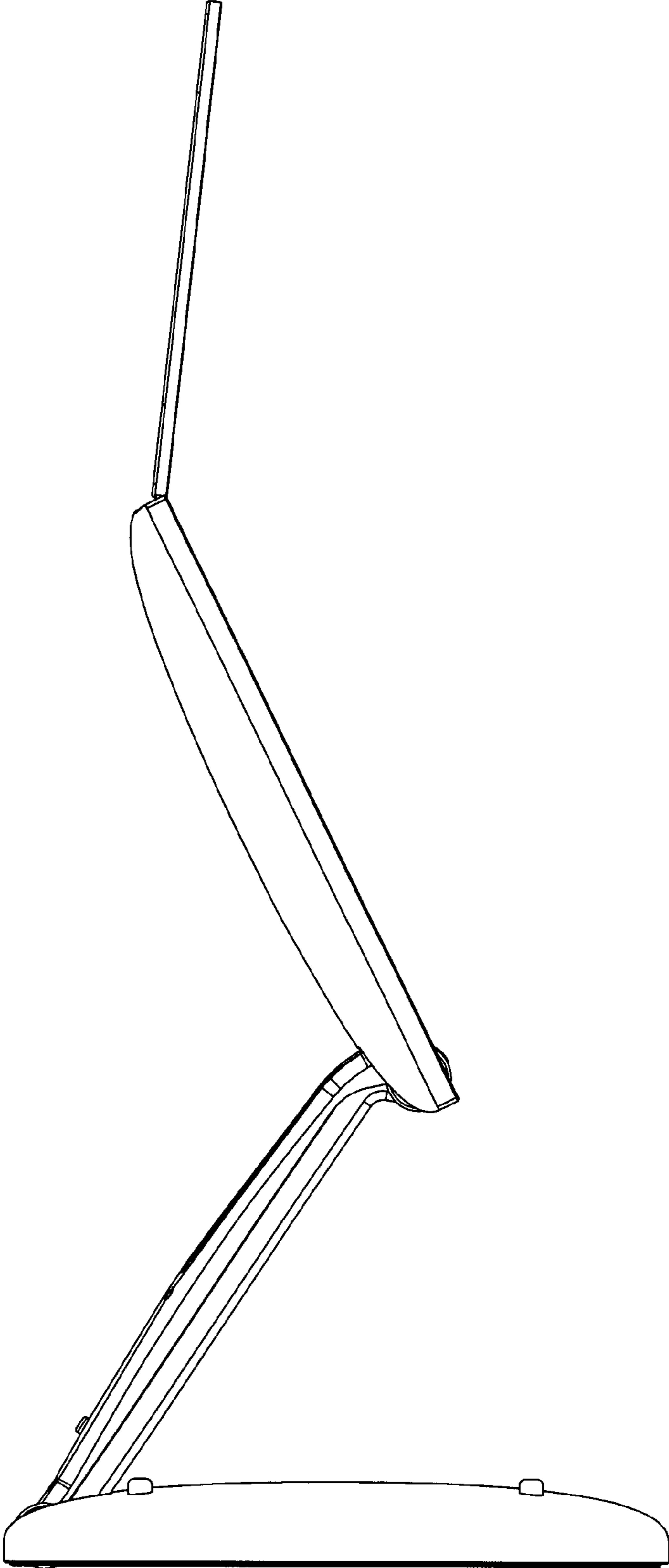


Figure 3

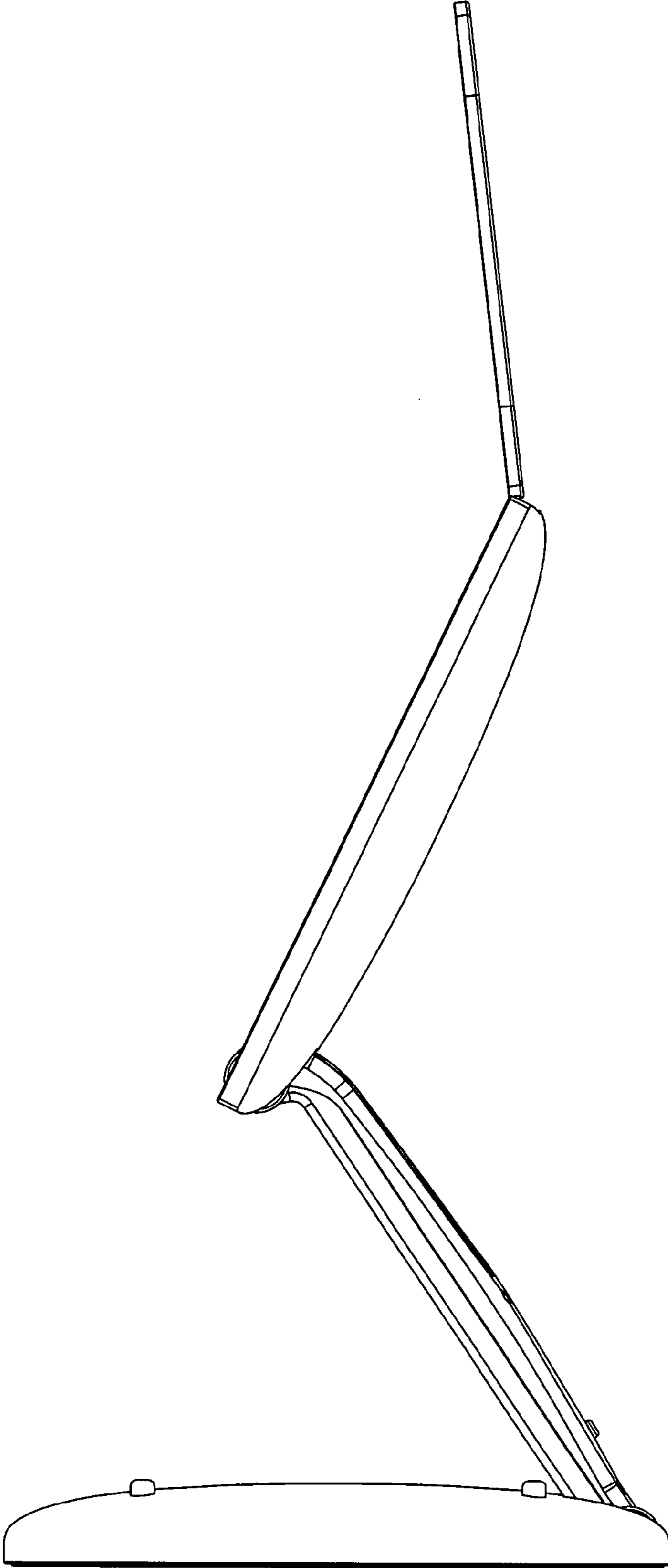


Figure 4

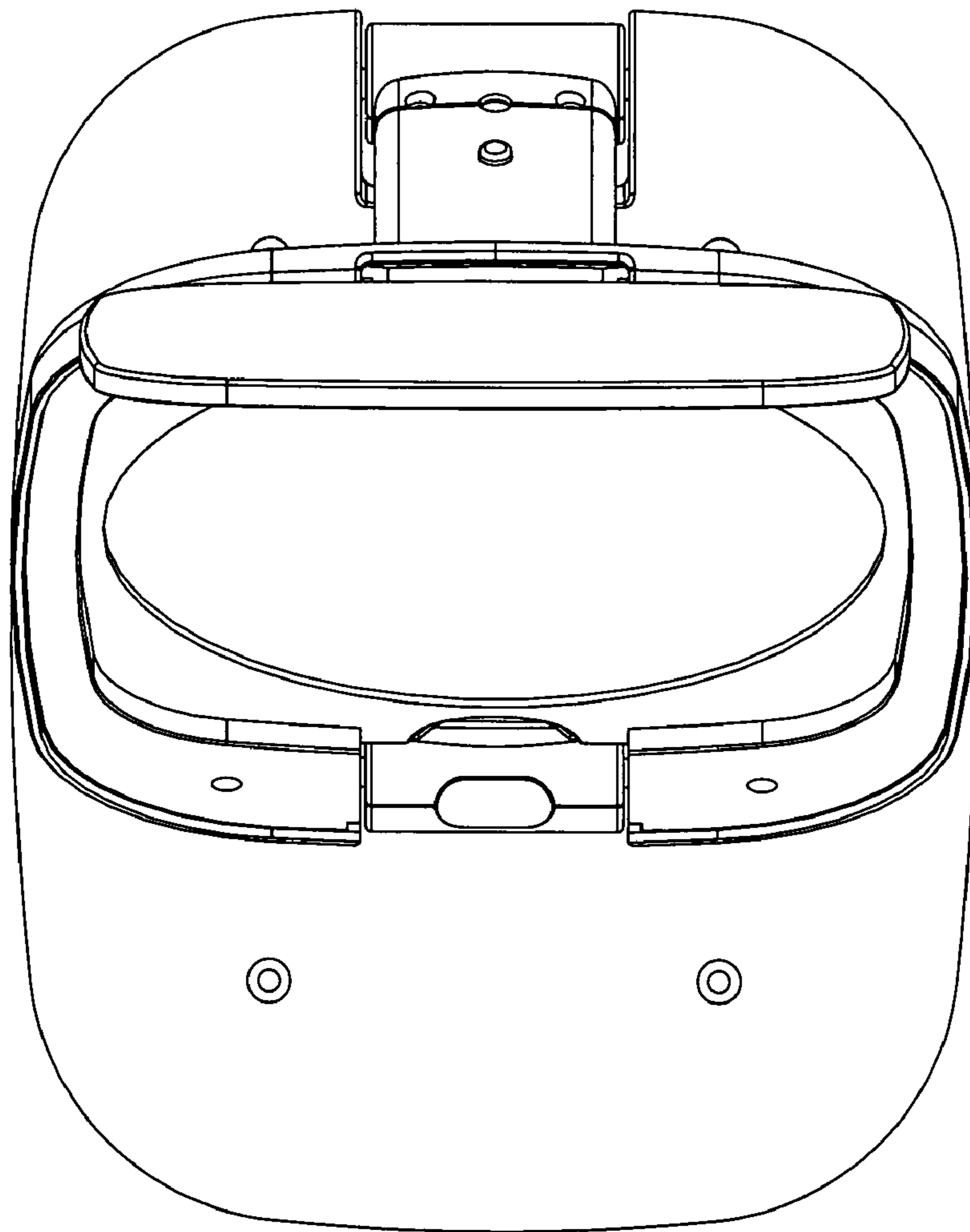


Figure 5

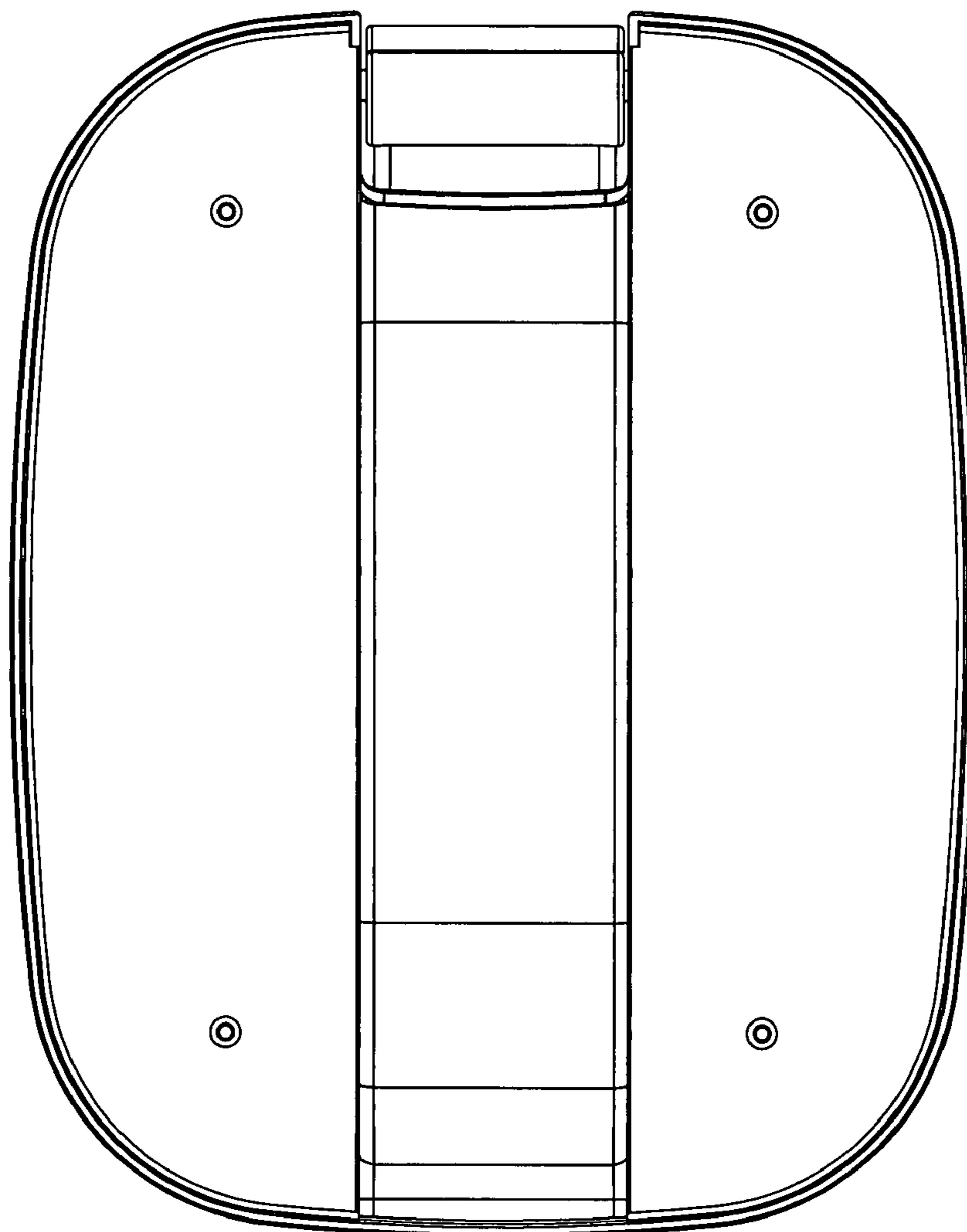


Figure 6