

US00D546561S

(12) **United States Design Patent**
Vosloo et al.

(10) **Patent No.:** **US D546,561 S**
(45) **Date of Patent:** **** Jul. 17, 2007**

(54) **INTERNAL DIVIDER FOR A TOP CUFF FOR AN ULTRA-LIGHT GOLF BAG**

2005/0115851 A1* 6/2005 Kadoya 206/315.6

* cited by examiner

(75) Inventors: **Clint Vosloo**, Suwanee, GA (US);
Andreas Kikidas, Cobham (GB)

Primary Examiner—Louis S. Zarfes
Assistant Examiner—Monica A. Weingart

(73) Assignee: **Mizuno Corporation**, Osaka (JP)

(74) *Attorney, Agent, or Firm*—Troutman Sanders LLP;
James E. Schutz

(**) Term: **14 Years**

(57) **CLAIM**

(21) Appl. No.: **29/236,029**

The ornamental design for the internal divider for a top cuff for an ultra-light golf bag, as shown and described.

(22) Filed: **Aug. 10, 2005**

(51) **LOC (8) Cl.** **03-01**

(52) **U.S. Cl.** **D3/320**

(58) **Field of Classification Search** D3/318,
D3/319, 320, 321, 328, 328.1, 254, 255;
150/159, 160; 211/70.2; 206/315.2, 315.3,
206/315.4, 315.5, 315.6, 315.7, 315.8, 315.11;
248/70.2; 280/DIG. 6; 473/287
See application file for complete search history.

DESCRIPTION

FIG. 1 is top perspective view of an internal divider for a top cuff for an ultra-light golf bag showing my new design;
FIG. 2 is a front elevational view thereof;
FIG. 3 is a right side elevational view thereof;
FIG. 4 is a left side elevational view thereof;
FIG. 5 is a rear elevational view thereof;
FIG. 6 is a top plan view thereof; and,
FIG. 7 is a bottom plan view thereof.

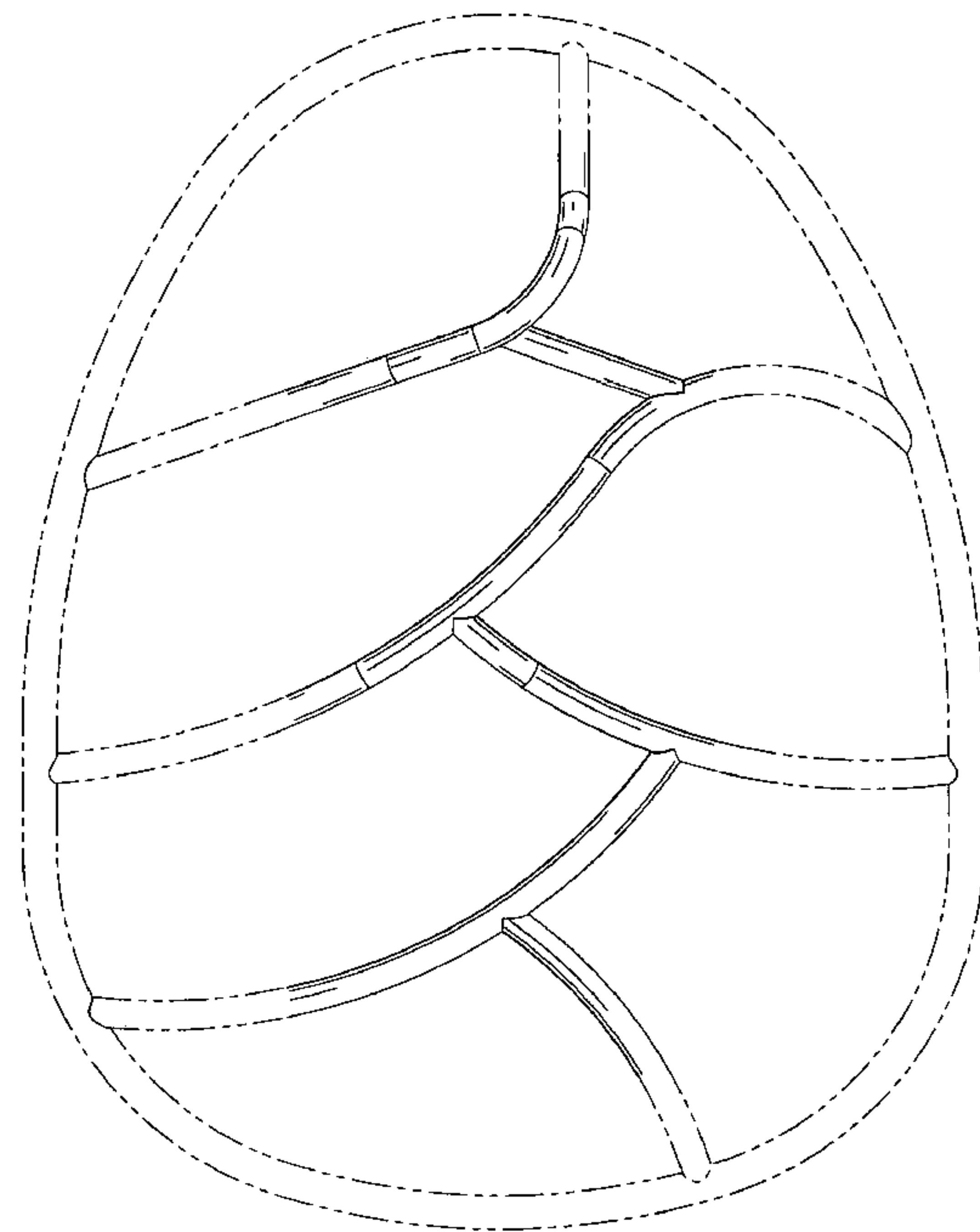
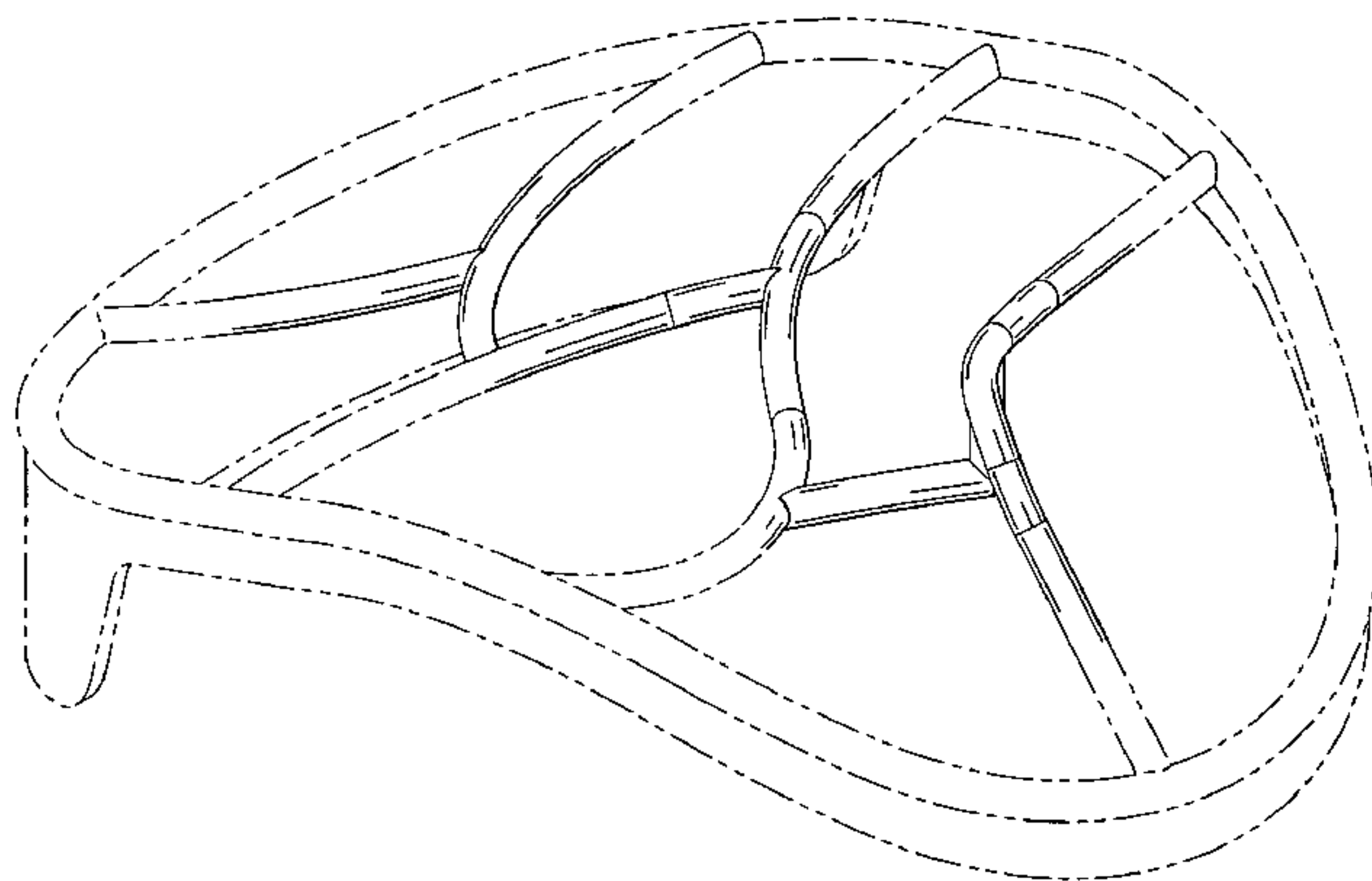
The broken line showing of in the views is included for the purpose of illustrating environment and forms no part of the claimed design.

(56) **References Cited**

U.S. PATENT DOCUMENTS

- 6,564,936 B1 * 5/2003 Campbell 206/315.6
- D501,604 S * 2/2005 Kadoya D3/320
- D534,355 S * 1/2007 Renahan D3/320
- D537,634 S * 3/2007 Renahan D3/320
- 2005/0092630 A1 * 5/2005 Chen 206/315.6

1 Claim, 7 Drawing Sheets



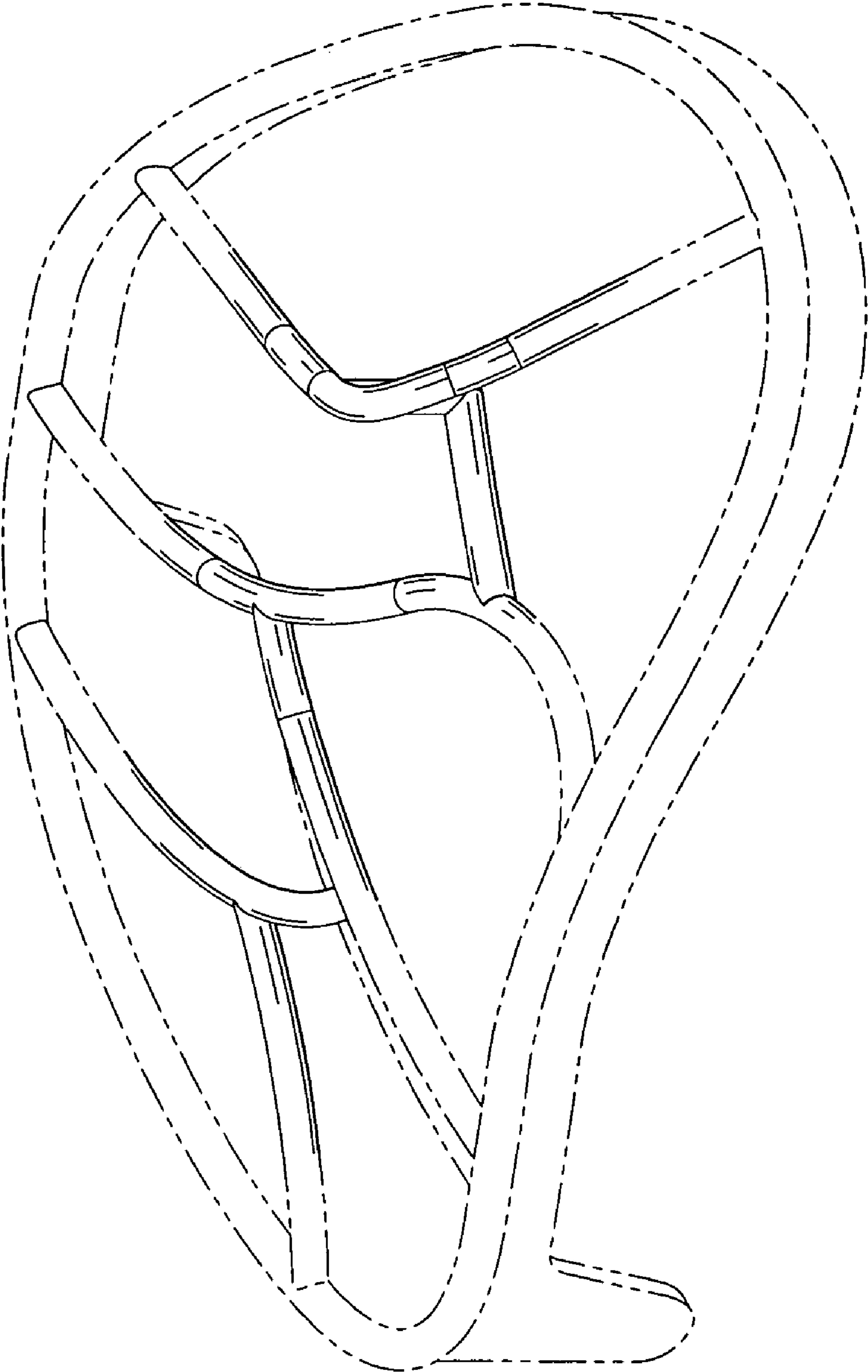


FIG. 1

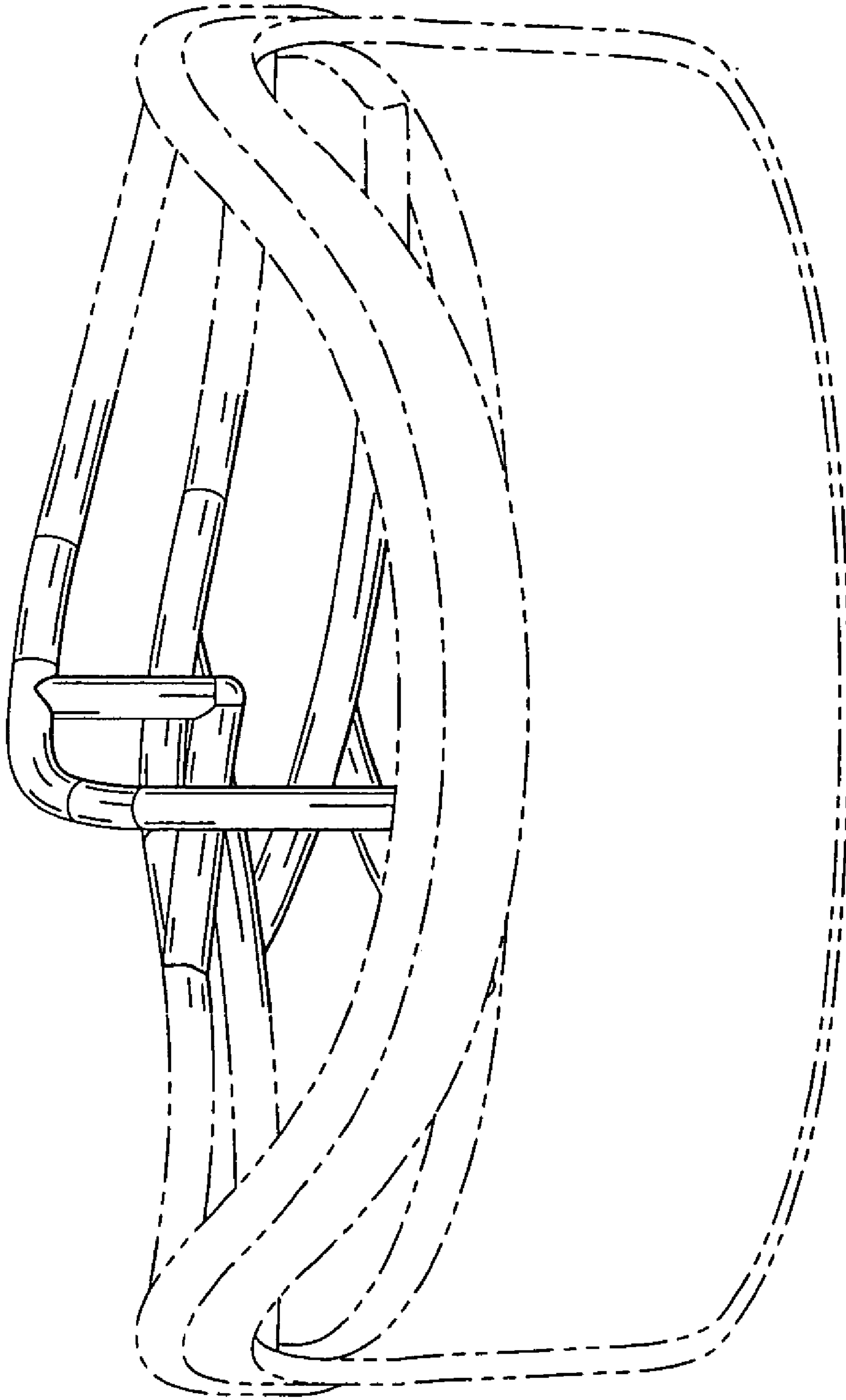


FIG. 2

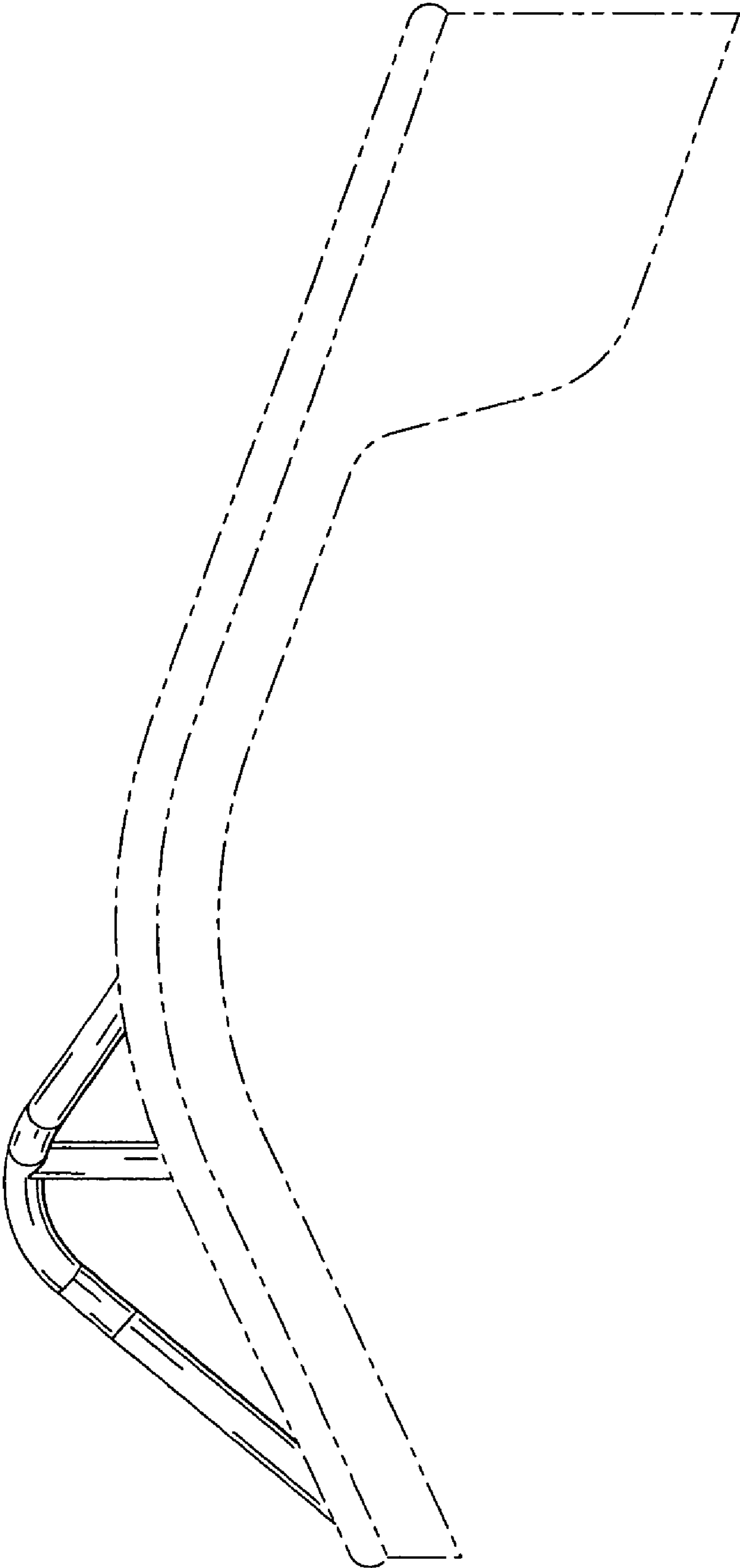


FIG. 3

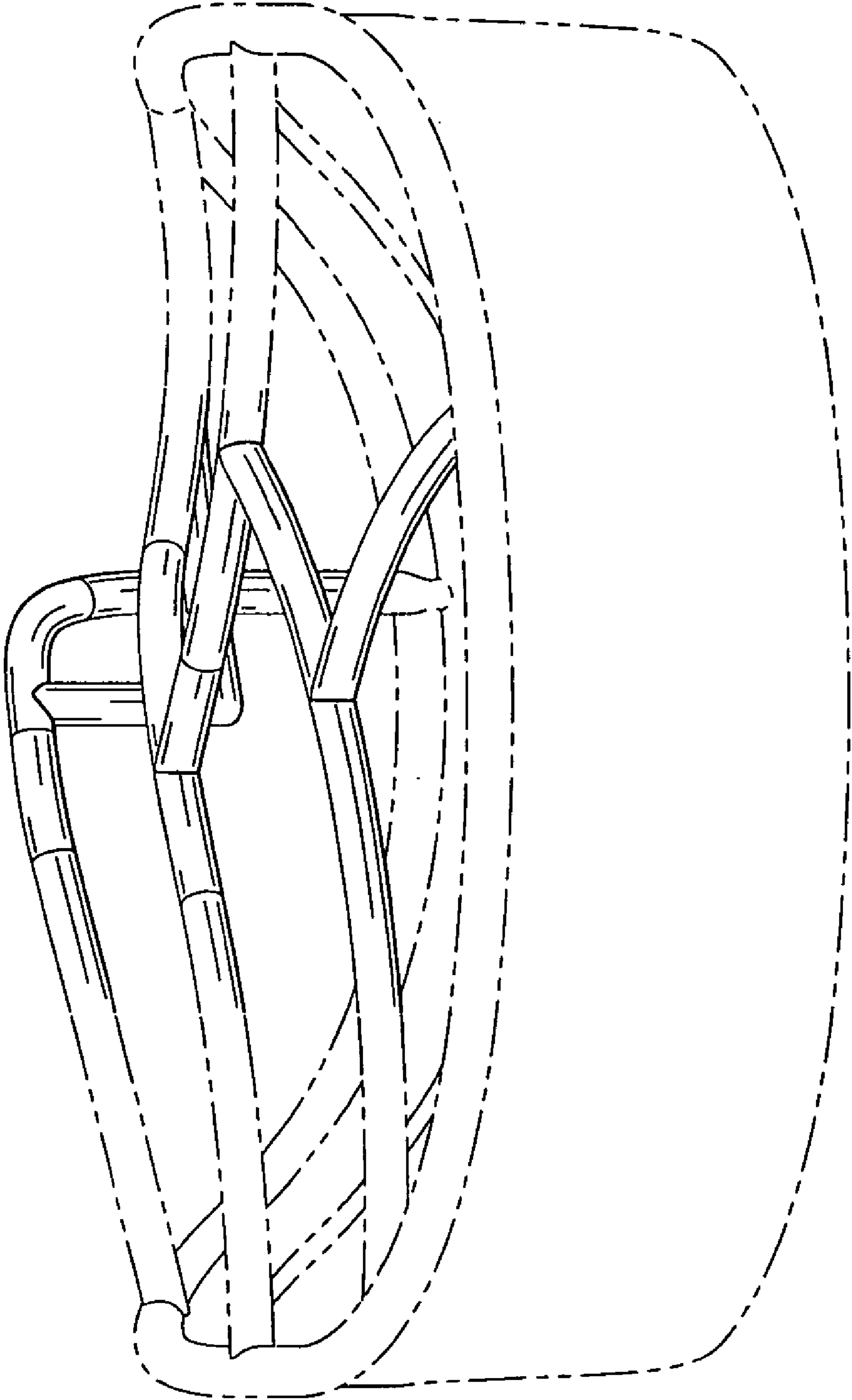


FIG. 4

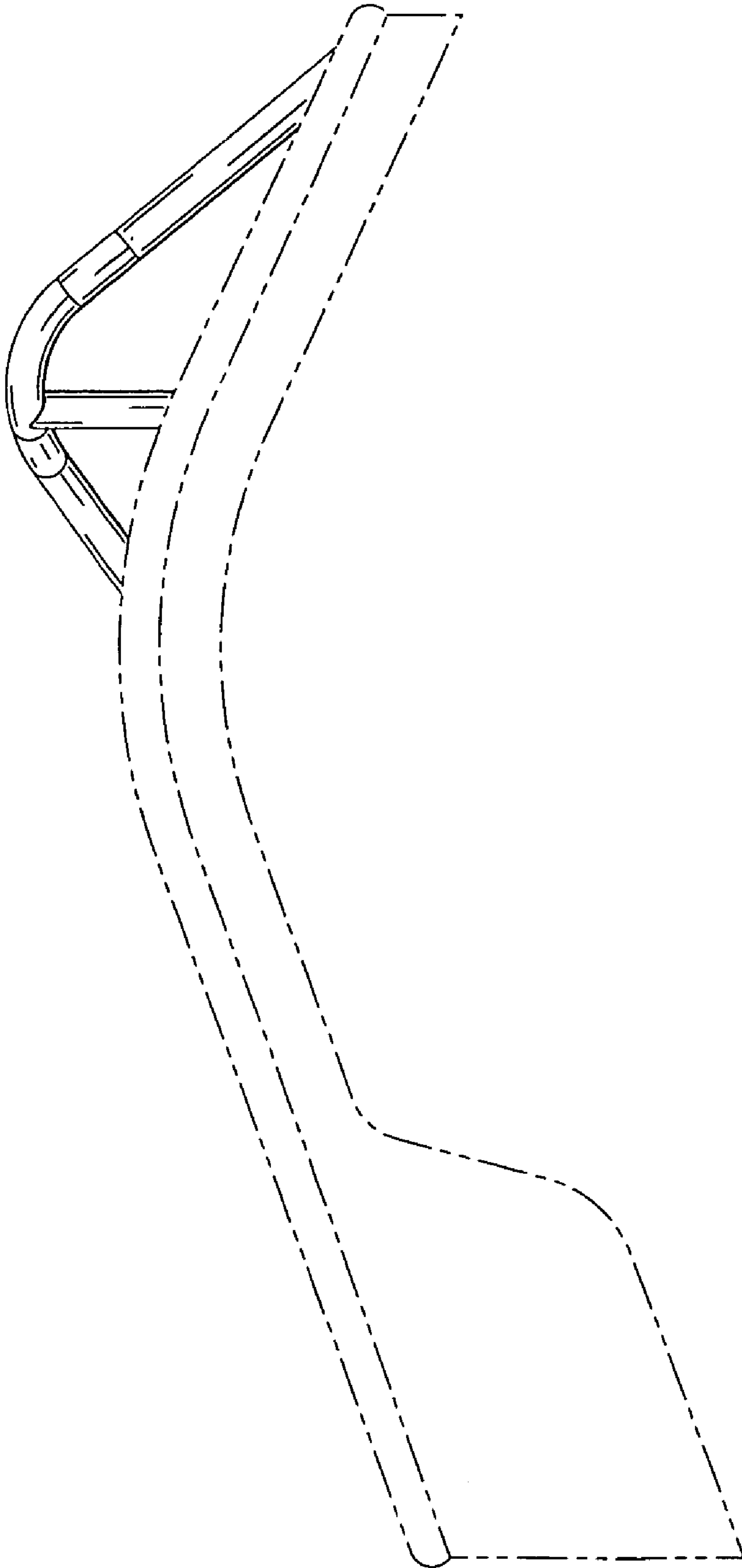


FIG. 5

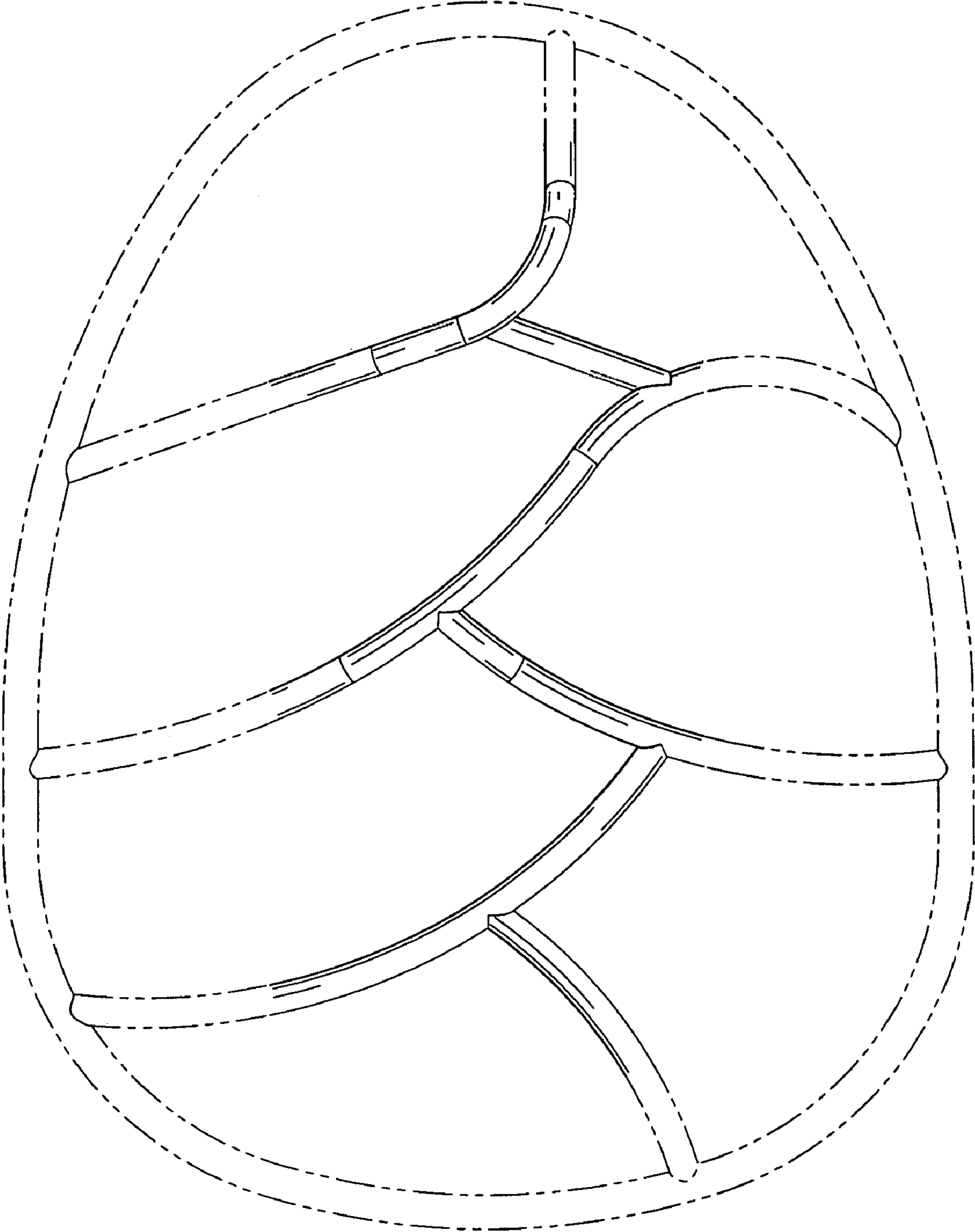


FIG. 6

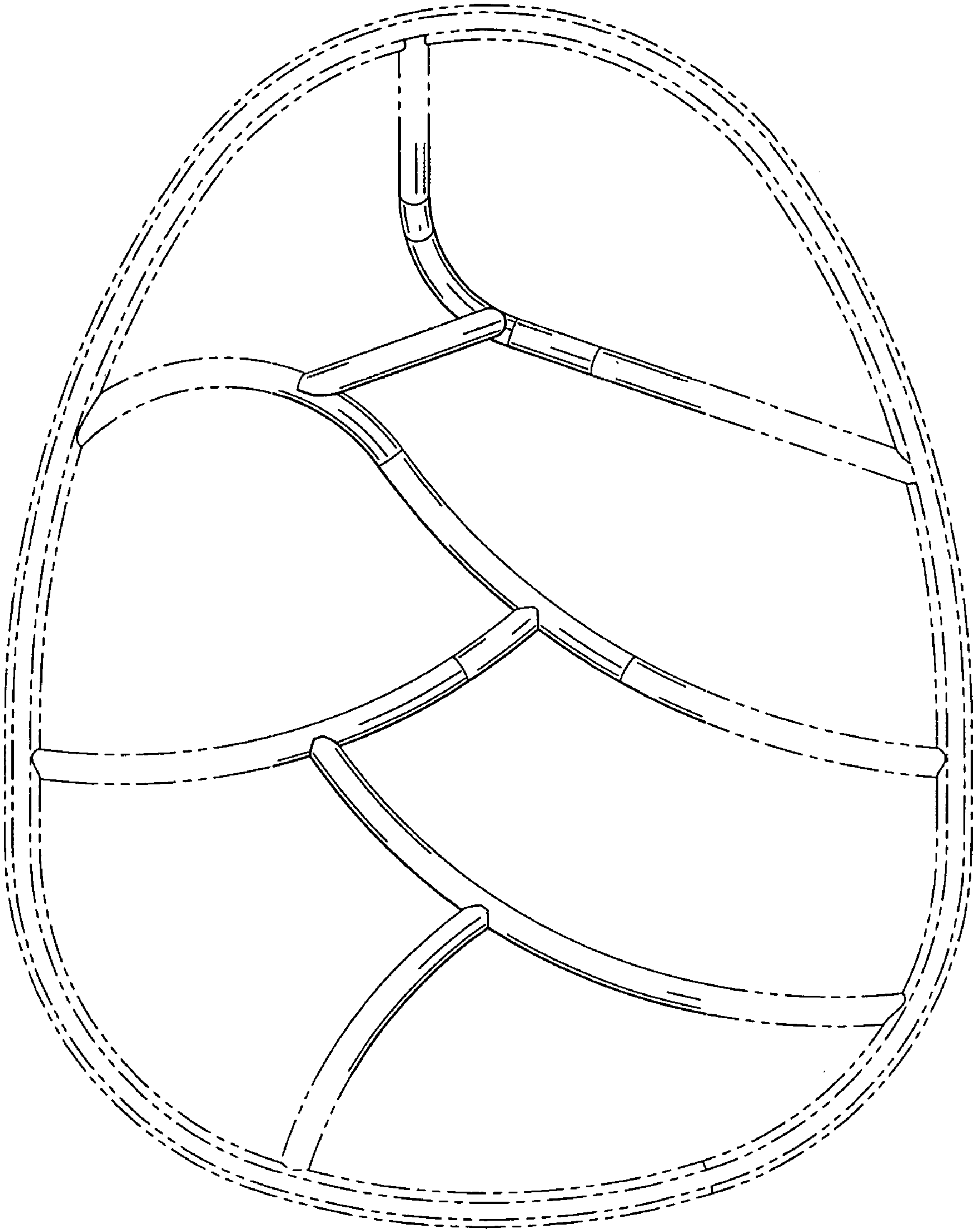


FIG. 7