



US00D546559S

(12) **United States Design Patent**
Boyette

(10) **Patent No.:** **US D546,559 S**

(45) **Date of Patent:** **** Jul. 17, 2007**

- (54) **MULTIPLE EYEGLASS HOLDER**
- (76) Inventor: **Mary Beth Boyette**, 174 E. Deer Track Dr., Wetumpka, AL (US) 36093
- (**) Term: **14 Years**
- (21) Appl. No.: **29/258,904**
- (22) Filed: **Apr. 28, 2006**

D339,979 S *	10/1993	Wehrley	D8/372
5,673,788 A *	10/1997	McLane	206/5
5,743,649 A *	4/1998	Gonzalez	383/6
D410,144 S *	5/1999	Kay	D3/233
6,006,963 A *	12/1999	Paine	223/85
D533,348 S *	12/2006	Andre et al.	D3/303

* cited by examiner

Primary Examiner—Ian Simmons
Assistant Examiner—Anna Burmeister

Related U.S. Application Data

- (63) Continuation of application No. 10/720,296, filed on Nov. 25, 2003, now abandoned.

- (51) **LOC (8) Cl.** **03-01**
- (52) **U.S. Cl.** **D3/266**
- (58) **Field of Classification Search** D3/11, D3/219, 221, 225, 229, 232–233, 240, 243, D3/246, 254, 263, 265–266, 294, 303, 903; D9/420, 422–424, 426; 224/915; 211/85.1
See application file for complete search history.

(57) **CLAIM**

The ornamental design for a multiple eyeglass holder, as shown and described.

DESCRIPTION

FIG. 1 is a front elevational view of a multiple eyeglass holder showing my new design;

FIG. 2 is left side elevational view thereof showing the open end of the multiple compartments, the central vertical lines representing the closed end of the multiple compartments at the opposite side; and,

FIG. 3 is a perspective view thereof, showing the multiple eyeglass holder in a folded condition.

The dash-dash-dash broken lines shown in the drawings represent stitching lines.

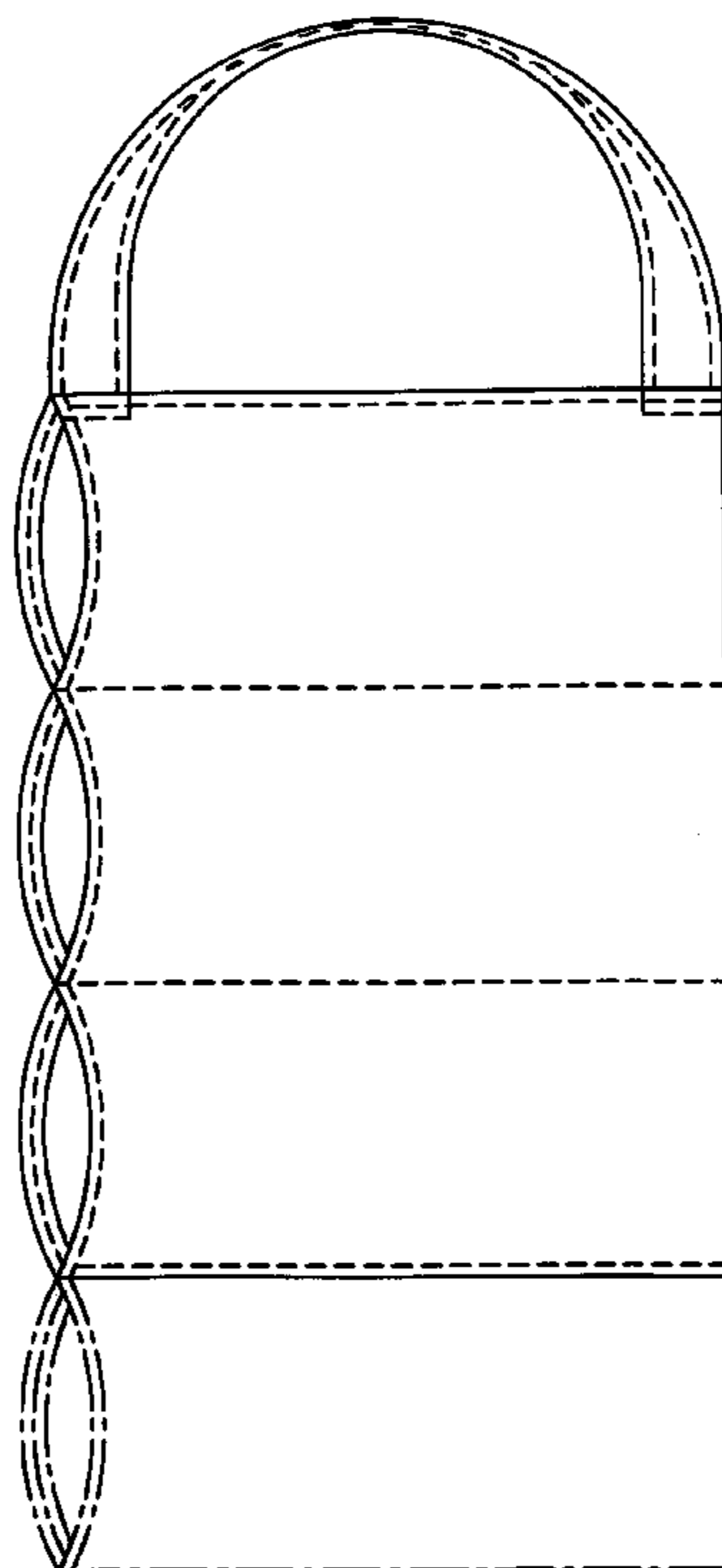
The dot-dash-dot lines shown in the drawings are for environmental purposes only and form no part of the claimed design.

(56) **References Cited**

U.S. PATENT DOCUMENTS

746,013 A *	12/1903	Burton	383/22
770,354 A *	9/1904	Corfman	363/39
D168,545 S *	1/1953	Huch	D6/315
2,936,897 A *	5/1960	Bloch	211/85.1
D197,146 S *	12/1963	Fischer	D6/315
3,134,416 A *	5/1964	Magyar	206/1.7
3,294,134 A *	12/1966	Matross et al.	383/39
4,566,130 A *	1/1986	Coates	383/15
5,002,401 A *	3/1991	Blackman	383/38

1 Claim, 2 Drawing Sheets



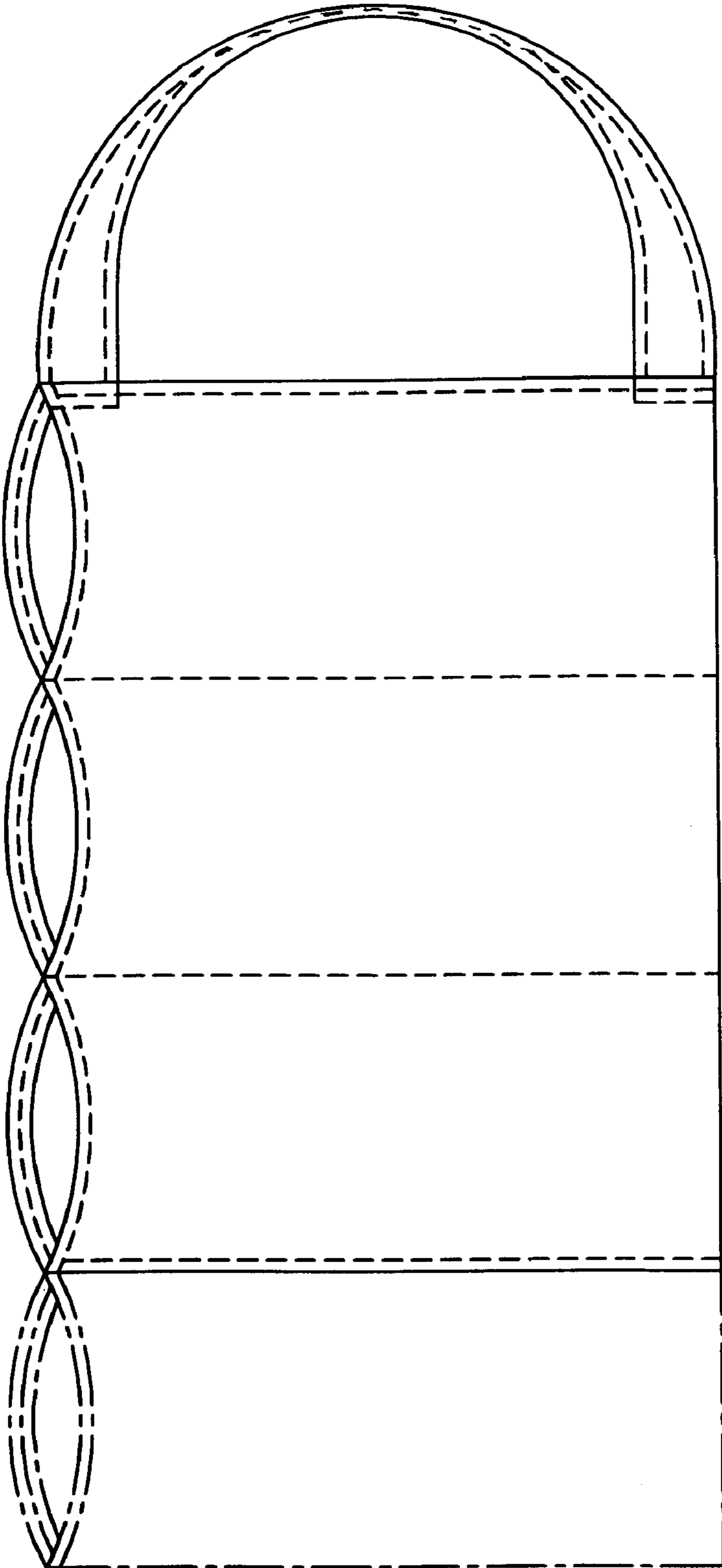


Figure 1

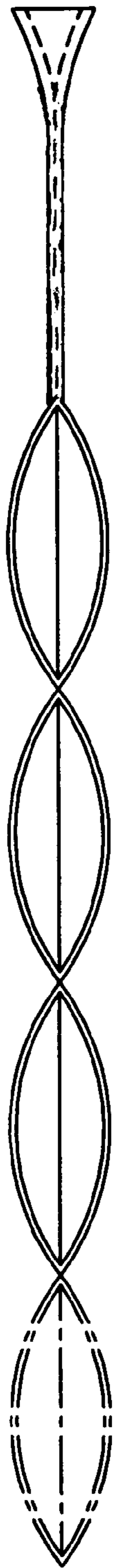


Figure 2

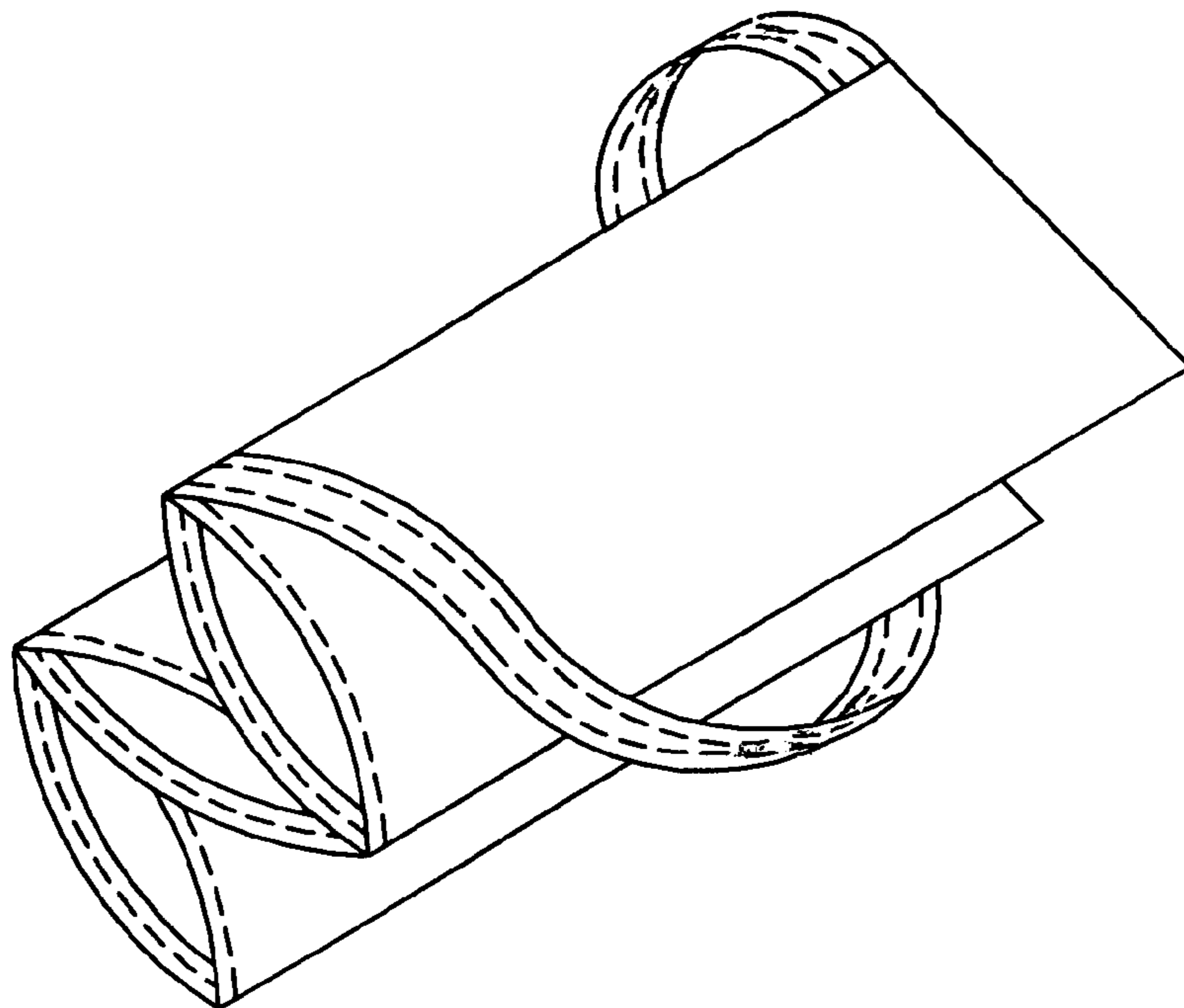


Figure 3