



US00D546558S

(12) **United States Design Patent**  
**Albert**

(10) **Patent No.:** **US D546,558 S**

(45) **Date of Patent:** **\*\* Jul. 17, 2007**

(54) **BELT MOUNT FOR TOOLS**

(76) **Inventor:** **John L. Albert**, 914-6834 59th Avenue,  
Red Deer, AB (CA), T4P 1C9

(\*\*) **Term:** **14 Years**

(21) **Appl. No.:** **29/247,630**

(22) **Filed:** **Jun. 29, 2006**

(30) **Foreign Application Priority Data**

Dec. 6, 2006 (CA) ..... 116286

(51) **LOC (8) Cl.** ..... **03-01**

(52) **U.S. Cl.** ..... **D3/228**

(58) **Field of Classification Search** ..... D3/228,  
D3/226, 224, 215; 224/268, 666, 683, 673,  
224/576, 901, 904; D8/373, 367, 370  
See application file for complete search history.

(56) **References Cited**

**U.S. PATENT DOCUMENTS**

5,673,830 A 10/1997 Matthews ..... 224/268  
5,810,232 A 9/1998 Meurer et al. .... 224/677  
D445,249 S \* 7/2001 Russell ..... D3/228

D452,610 S \* 1/2002 Schwartzmiller ..... D3/228  
6,655,560 B2 12/2003 Kahn ..... 224/268  
D507,105 S \* 7/2005 Armstrong ..... D3/228  
D530,908 S \* 10/2006 Westcott ..... D3/228  
2004/0050888 A1 3/2004 Warner ..... 224/269

\* cited by examiner

*Primary Examiner*—Catherine R. Oliver

(74) *Attorney, Agent, or Firm*—Oyen Wiggs Green &  
Mutala LLP

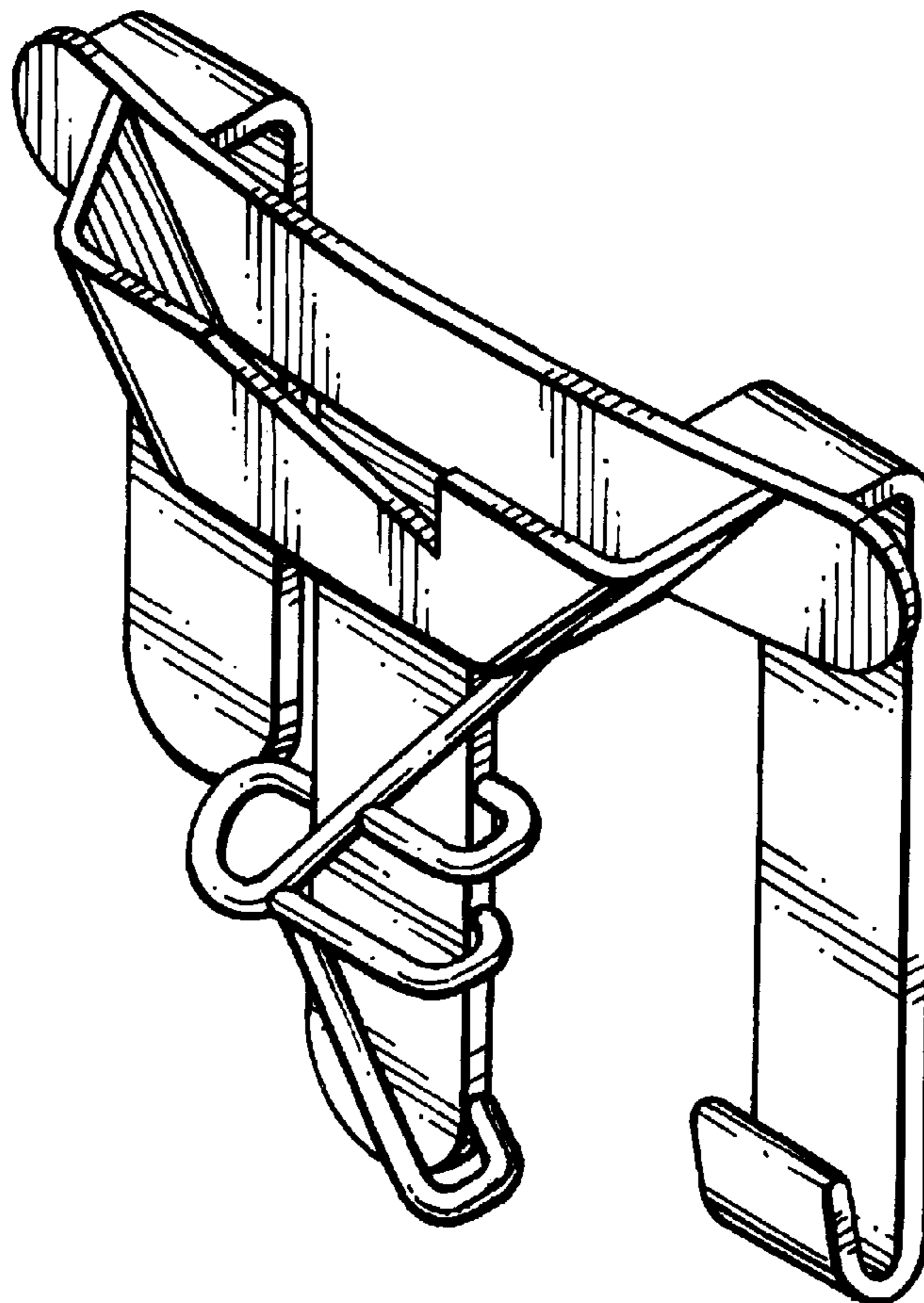
(57) **CLAIM**

The ornamental design for a belt mount for tools, as shown  
and described.

**DESCRIPTION**

FIG. 1 is a front perspective view of a belt mount for tools  
according to the design;  
FIG. 2 is a top plan view thereof;  
FIG. 3 is a front elevational view thereof;  
FIG. 4 is a bottom plan view thereof;  
FIG. 5 is a rear elevational view thereof;  
FIG. 6 is a left side elevational view thereof; and,  
FIG. 7 is a right side elevational view thereof.

**1 Claim, 3 Drawing Sheets**



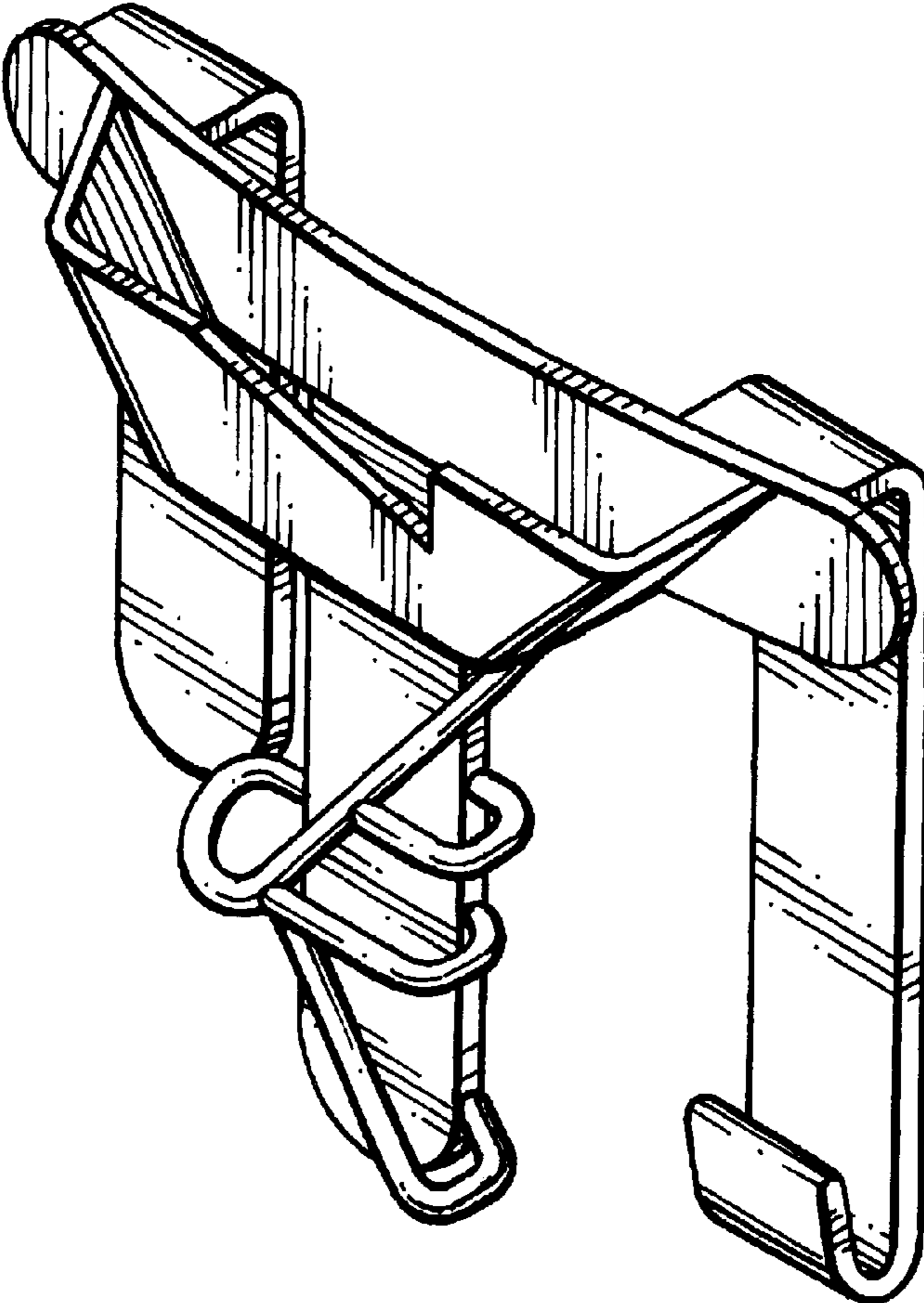


FIG. 1

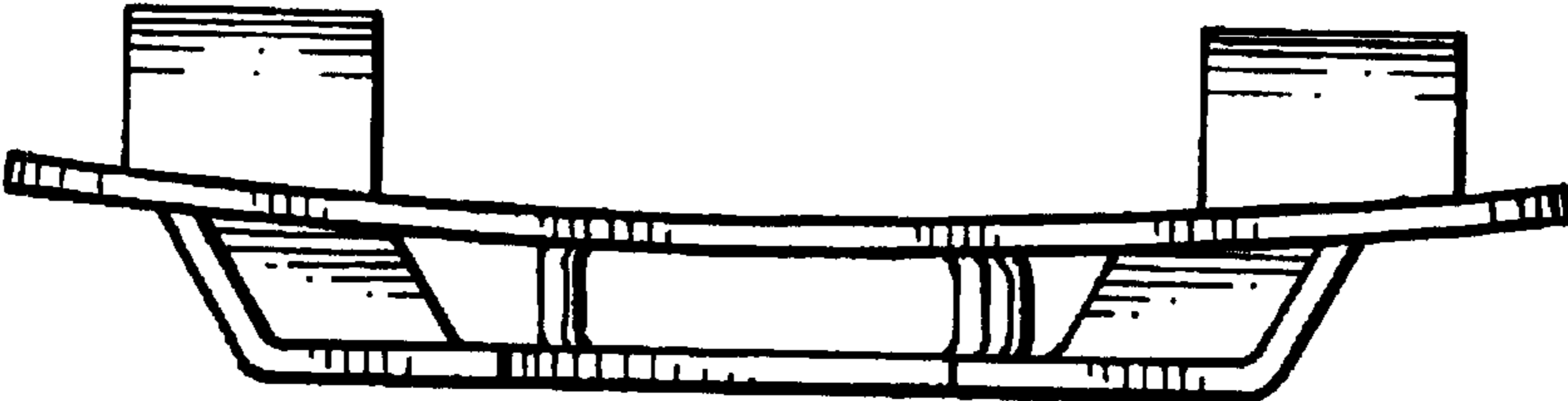


FIG. 2

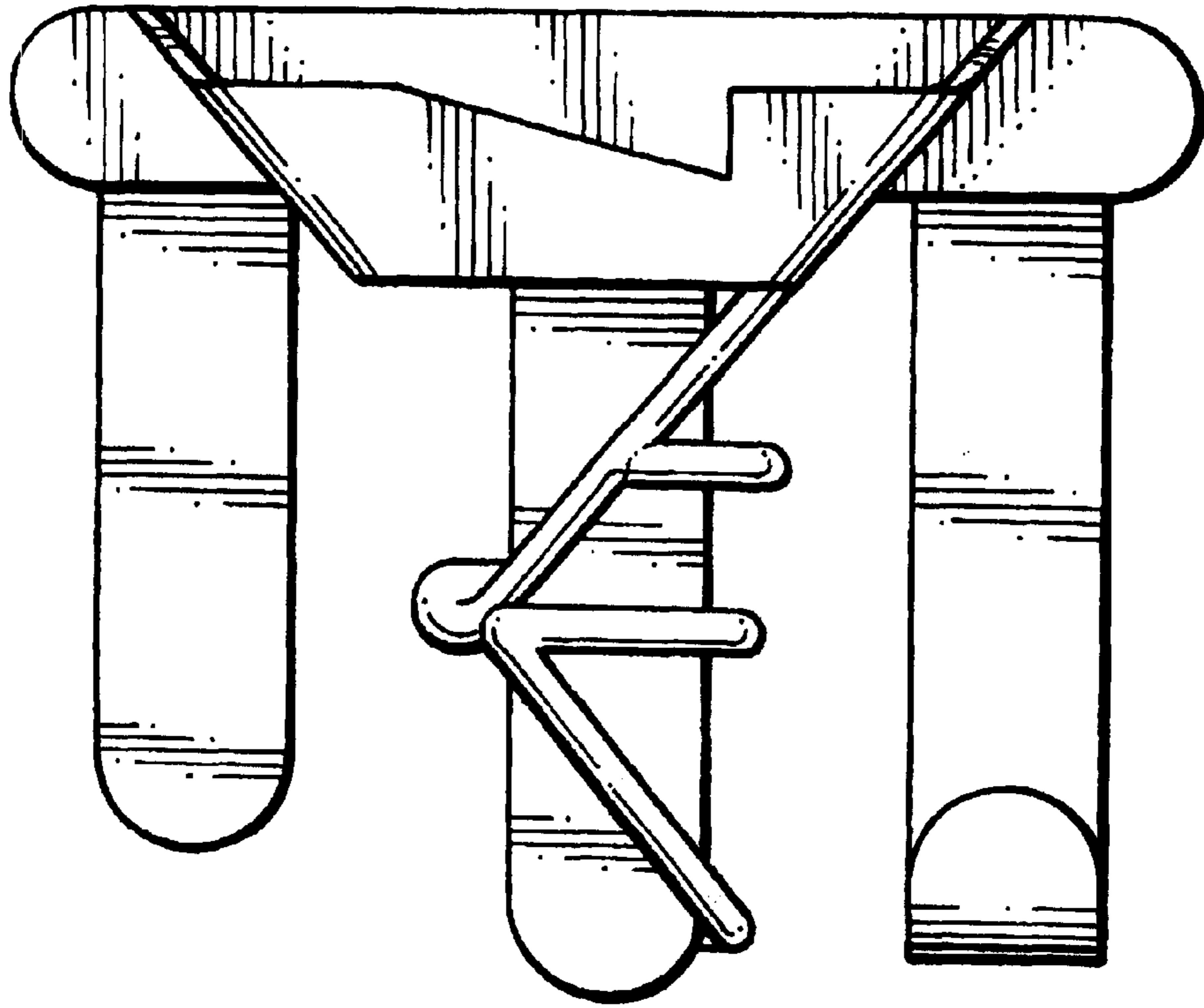


FIG. 3

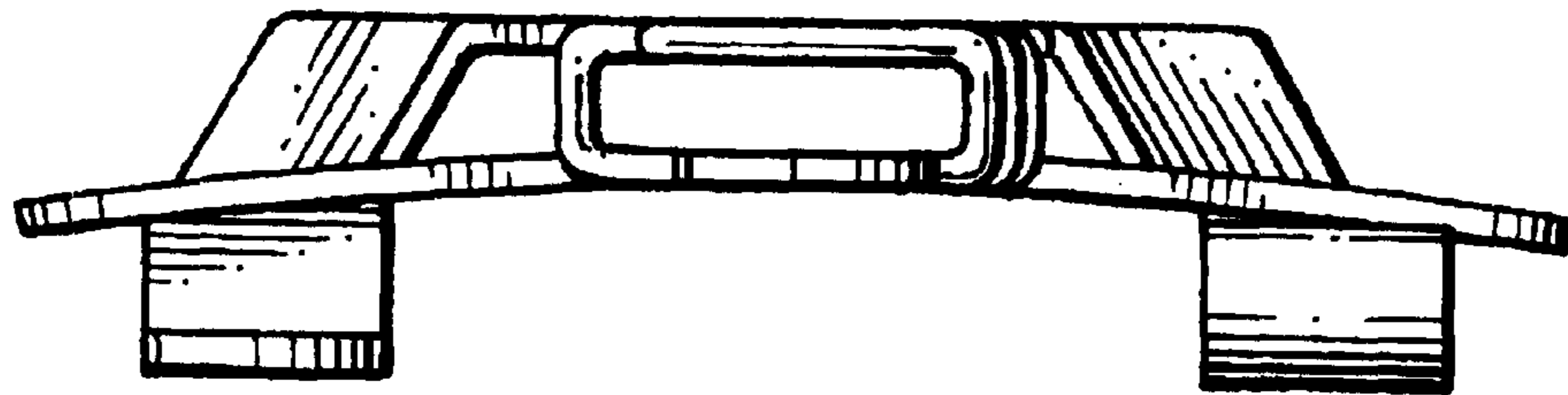


FIG. 4

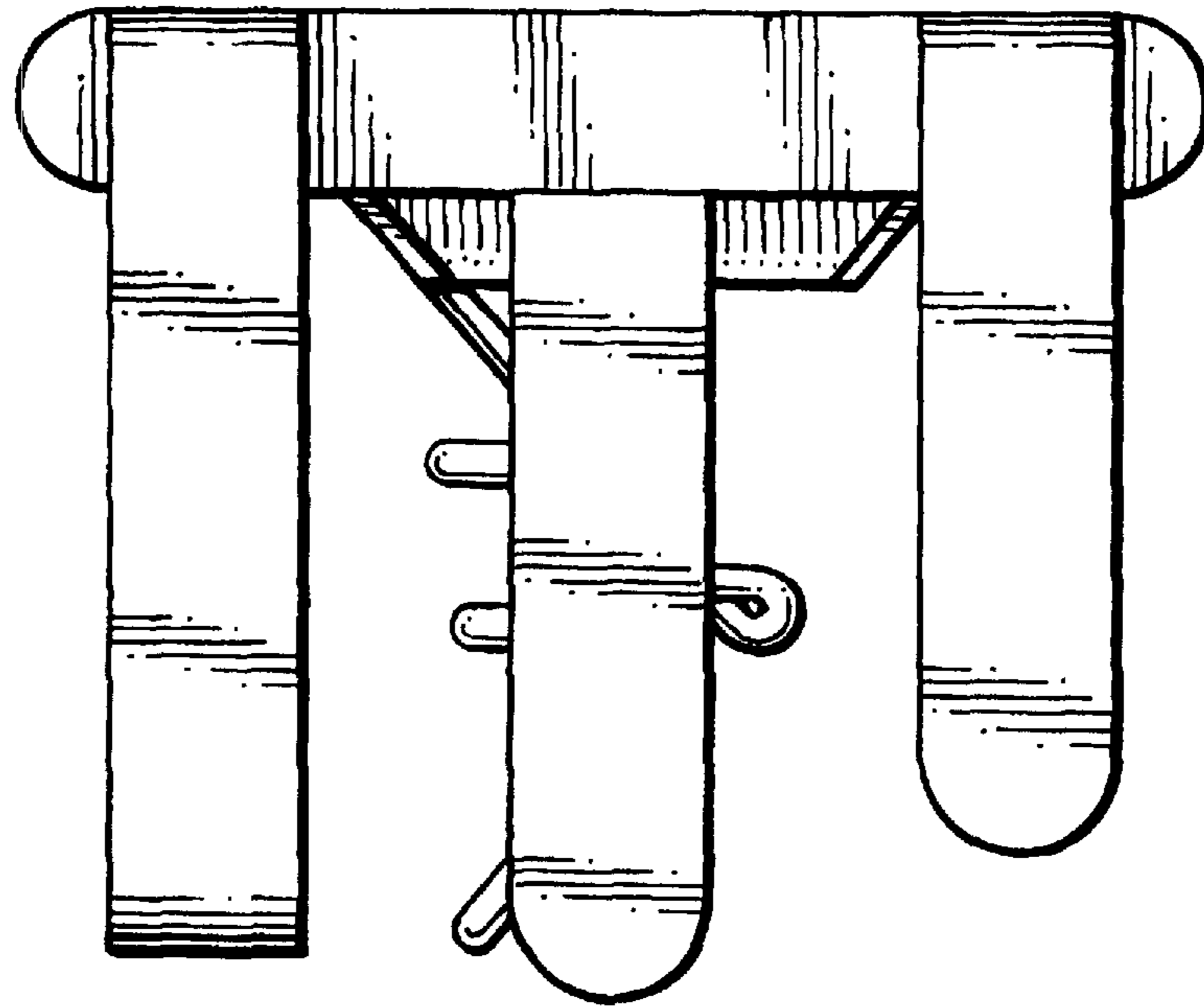


FIG. 5

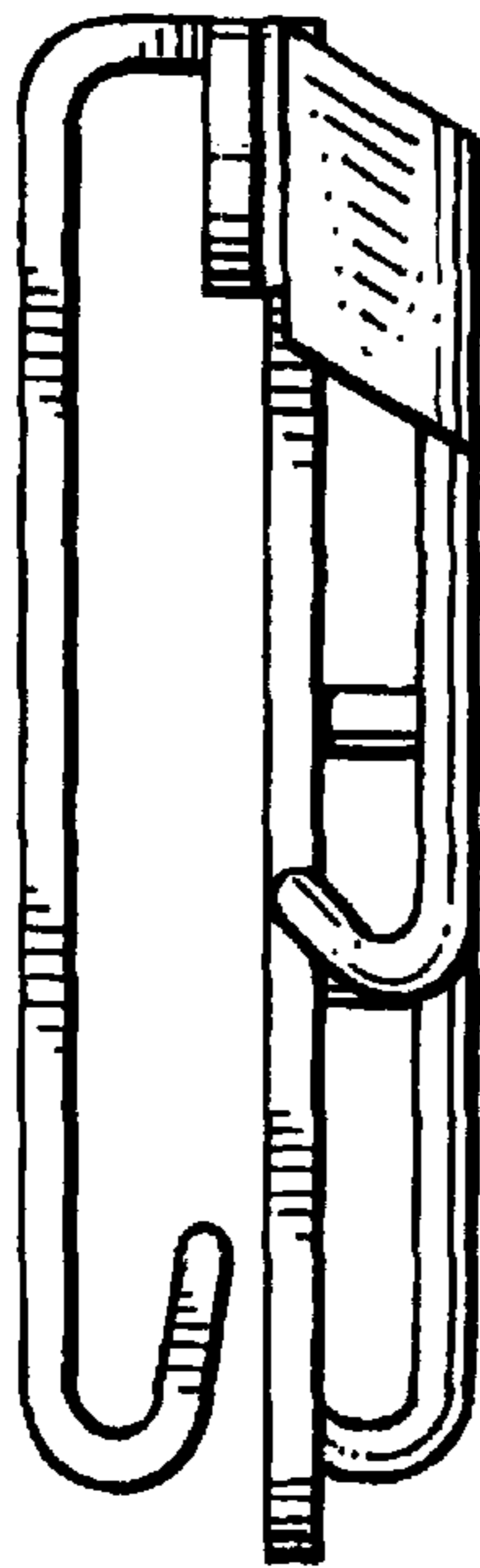


FIG. 6

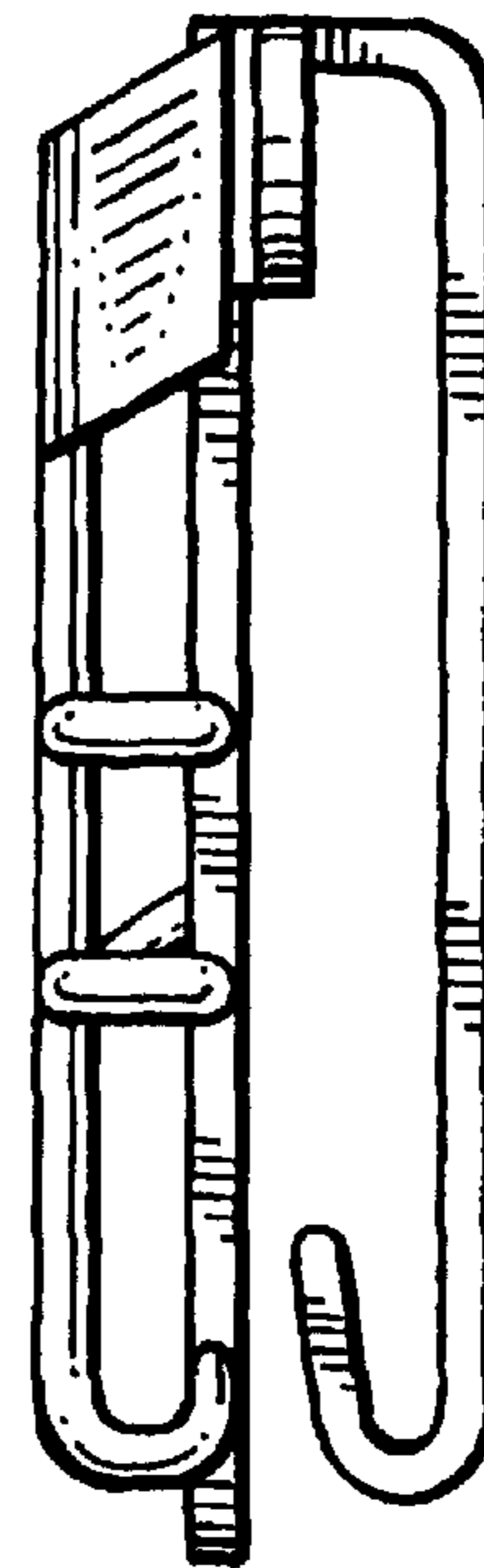


FIG. 7